



US00D802153S

(12) **United States Design Patent** (10) **Patent No.:** **US D802,153 S**
Kelly (45) **Date of Patent:** **** Nov. 7, 2017**

(54) **MUSCLE THERAPY DEVICE**
(71) Applicant: **MODERN HYGIENE, LLC**, Los Angeles, CA (US)
(72) Inventor: **Ray Kelly**, Los Angeles, CA (US)
(73) Assignee: **MODERN HYGIENE, LLC**, Los Angeles, CA (US)
(**) Term: **15 Years**
(21) Appl. No.: **29/569,563**
(22) Filed: **Jun. 28, 2016**
(51) **LOC (10) Cl.** **24-01**
(52) **U.S. Cl.**
USPC **D24/188**; D21/679
(58) **Field of Classification Search**
USPC D24/188, 190; D21/679
CPC ... A47B 2200/0056; A47B 9/20; A47B 21/02;
A47B 2200/0062; A47B 9/00; A47B
13/088; A47B 17/00; A47B 17/02; A47B
2097/003; A47B 21/04; A47B 21/06;
A47B 2200/0026; A47B 2200/0043;
A47B 2200/0052; A47B 2200/0054;
A63B 21/4035; A63B 23/12; A63B
21/0004; A63B 21/072; A63B 15/00;
A63B 21/0043; A63B 21/026
See application file for complete search history.

(56) **References Cited**
U.S. PATENT DOCUMENTS
3,637,205 A * 1/1972 Bankston A63B 21/012
473/558
3,942,790 A * 3/1976 Rice A63B 21/012
482/131
D267,261 S * 12/1982 Pataluch D21/679
4,664,373 A * 5/1987 Hait A63B 21/0603
482/109
D352,781 S * 11/1994 Mason D24/188

5,778,914 A 7/1998 Trani
D633,155 S * 2/2011 Brun D21/679
D634,795 S * 3/2011 Holleman D21/679
(Continued)

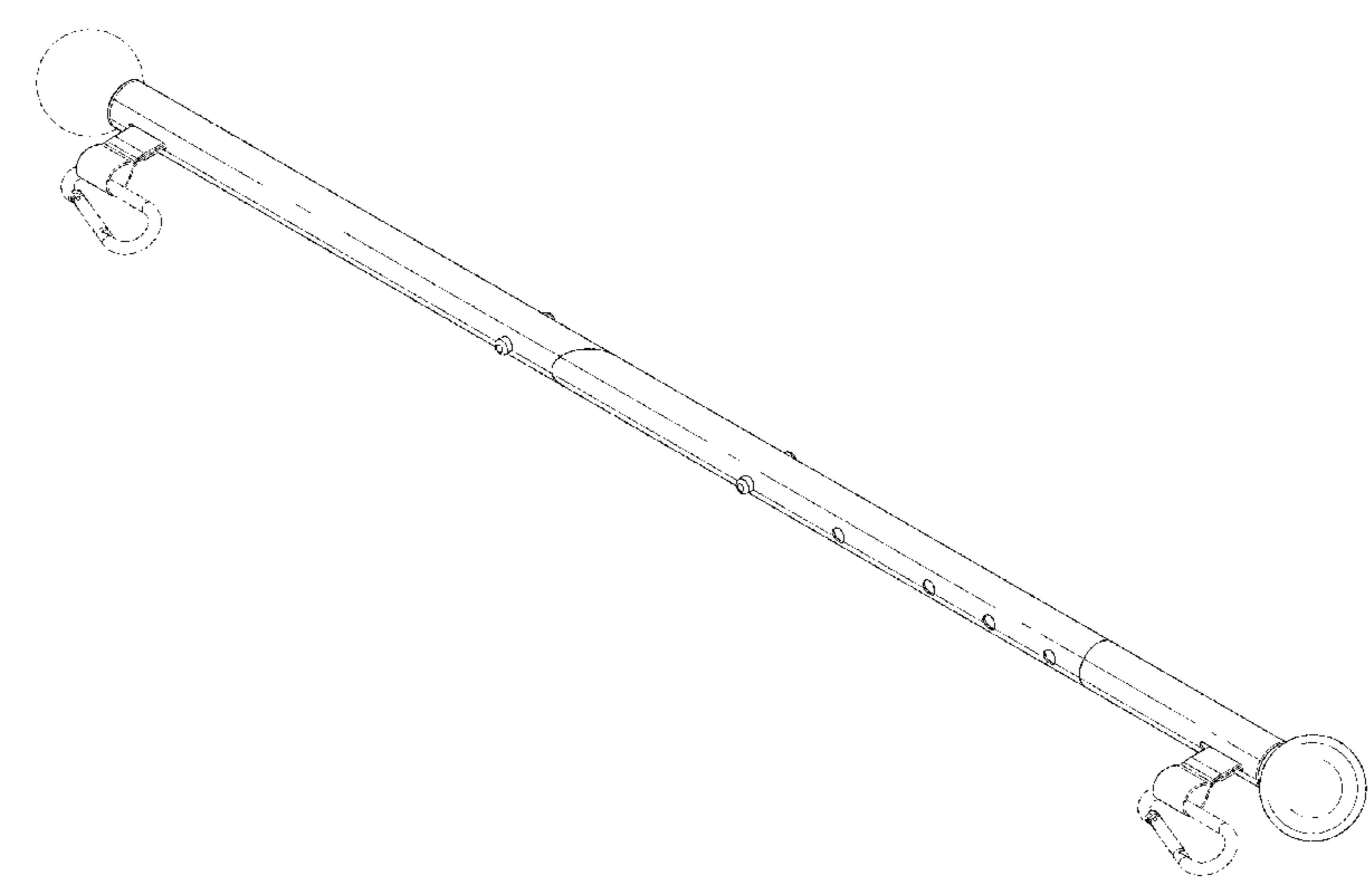
OTHER PUBLICATIONS
Balls 'N' Bands. Fit-Stix Break Apart Exercise Body Bar. http://www.ballsnbands.com/fit-stix_break_apart_body_bar_html
(downloaded Jul. 25, 2016).
(Continued)

Primary Examiner — George D. Kirschbaum
Assistant Examiner — Jennifer Watkins
(74) *Attorney, Agent, or Firm* — Loza & Loza, LLP;
Heidi L. Eisenhut

(57) **CLAIM**
The ornamental design for a muscle therapy device, as shown and described.

DESCRIPTION
FIG. 1 is a top left perspective view of a first side of a muscle therapy device according to the present invention;
FIG. 2 is a top left perspective view of a second side of the muscle therapy device of FIG. 1;
FIG. 3 is a first side elevation of the muscle therapy device of FIG. 1;
FIG. 4 is a second side elevation of the muscle therapy device of FIG. 1;
FIG. 5 is a back elevation view of the muscle therapy device of FIG. 1;
FIG. 6 is a front elevation view of the muscle therapy device of FIG. 1;
FIG. 7 is a top plan view of the muscle therapy device of FIG. 1; and,
FIG. 8 is a bottom plan view of the muscle therapy device of FIG. 1.
The broken lines in the figures are for the purpose of illustrating portions of a muscle therapy device and form no part of the claim.

1 Claim, 4 Drawing Sheets



(56)

References Cited

U.S. PATENT DOCUMENTS

7,918,773	B2	4/2011	Brennan et al.	
8,083,653	B2	12/2011	Hetrick	
D733,226	S *	6/2015	Abbate	D21/679
2003/0216220	A1 *	11/2003	Rota	A63B 1/00 482/27
2008/0280738	A1 *	11/2008	Brennan	A63B 21/04 482/129
2011/0143891	A1	6/2011	Brennan et al.	
2012/0149553	A1	6/2012	Quader	
2012/0214651	A1	8/2012	Ross	
2017/0021219	A1 *	1/2017	Kelly	A61H 7/001

OTHER PUBLICATIONS

Balls 'N' Bands. Fit-Stix Break Apart Exercise Body Bar. http://www.ballsnbands.com/fit-stik_break_apart_body_bar_.html (downloaded Jul. 14, 2016).

Graston Technique. "Faster and Better outcomes—redefining patient care and praactice success." <http://www.grastontechnique.com> (downloaded Jul. 2016).

Sporting Tools. "Fitness Stick." <http://www.sportingtools.in/sport/fitness-stick.html> (downloaded Jul. 18, 2016).

TRX Training. "The TRX rip trainer basic kit." <https://www.trxtraining.com/products/trx-rip-trainer-basic-kit> (downloaded Jul. 14, 2016).

International Search Report & Written Opinion for PCT/US16/43775 dated Dec. 8, 2016; 7 pages.

* cited by examiner

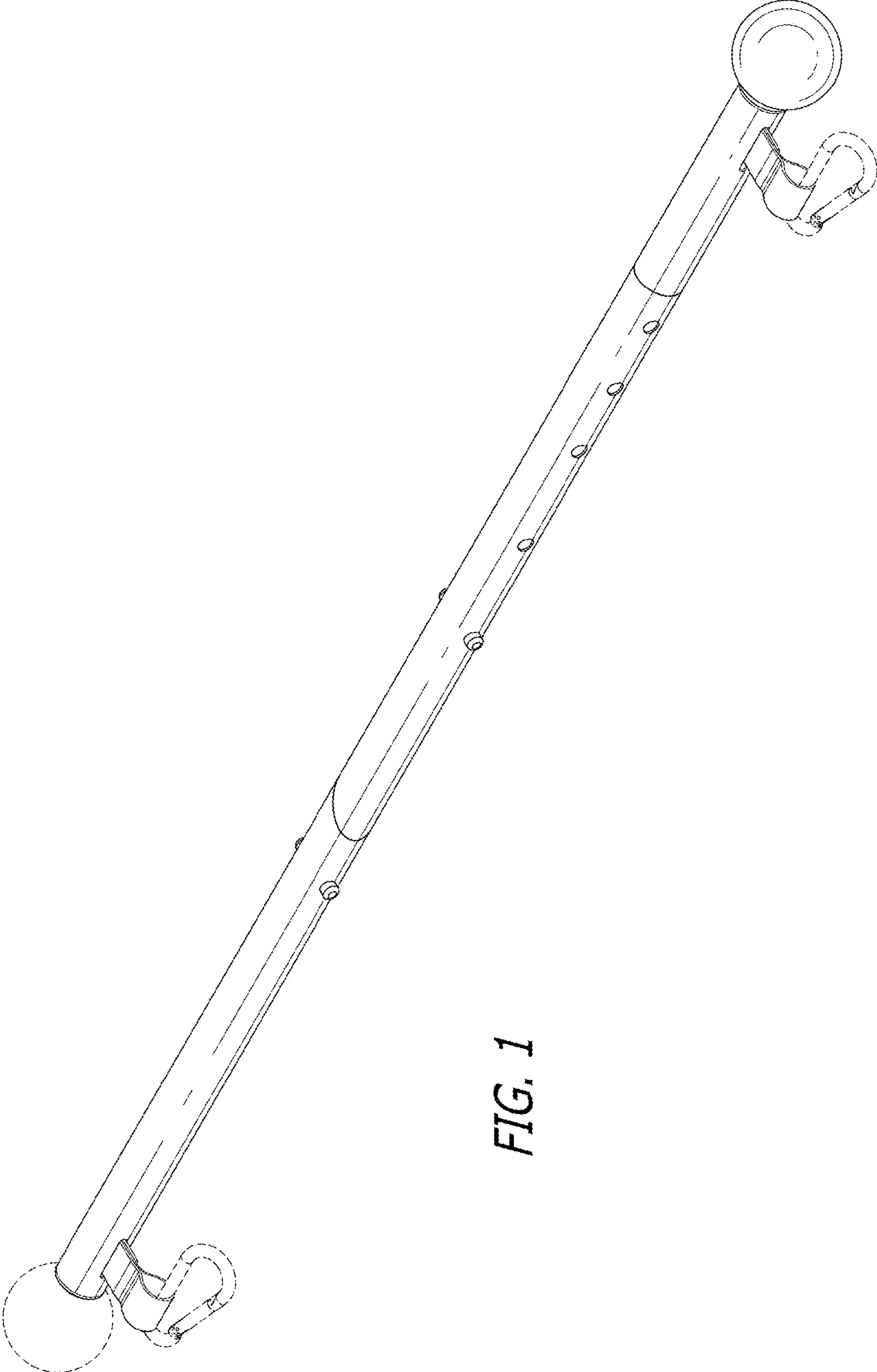


FIG. 1

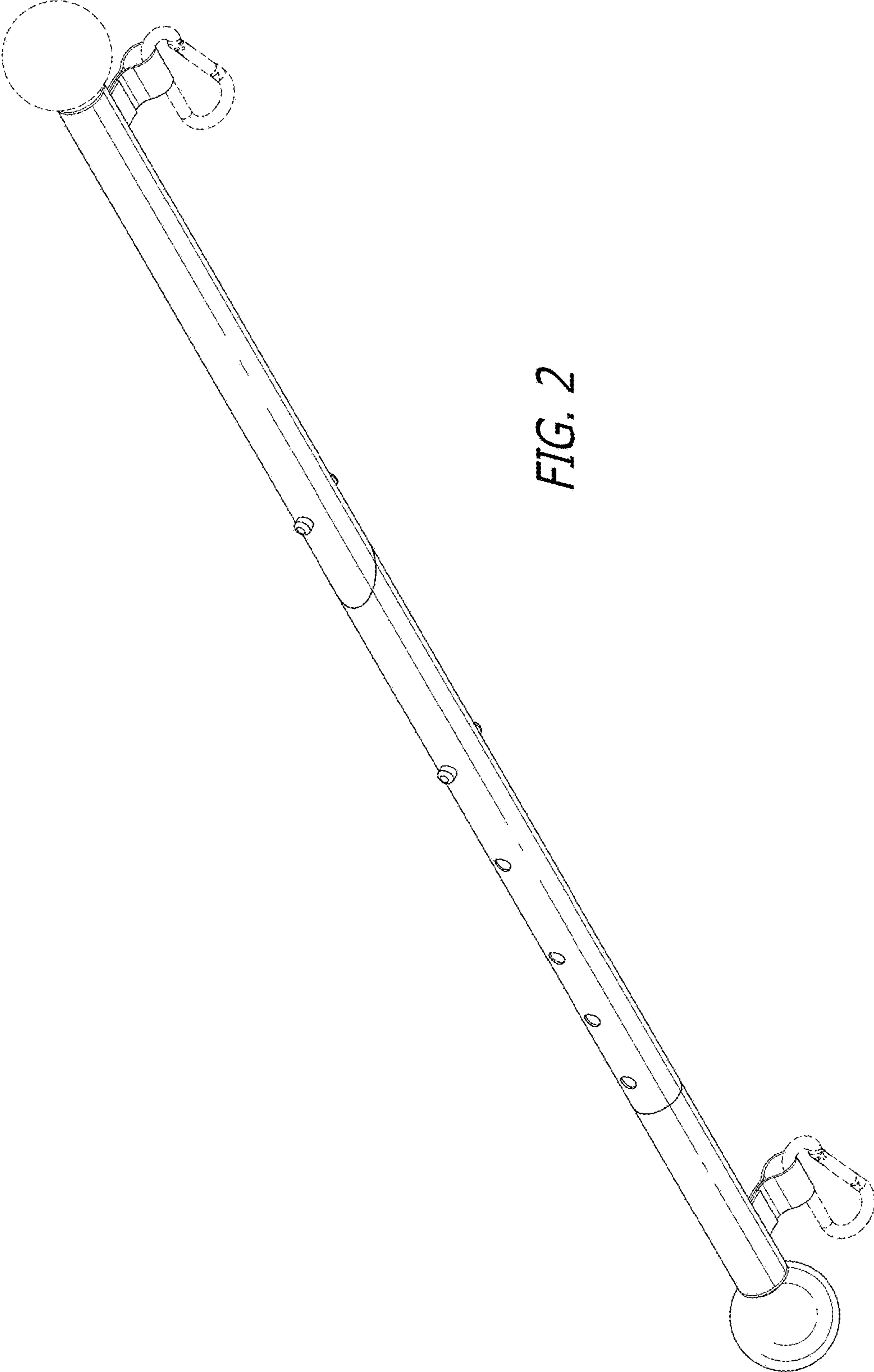


FIG. 2

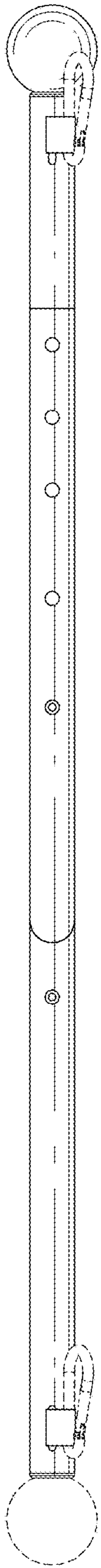


FIG. 3

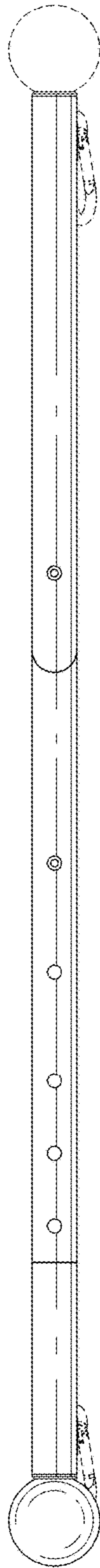


FIG. 4

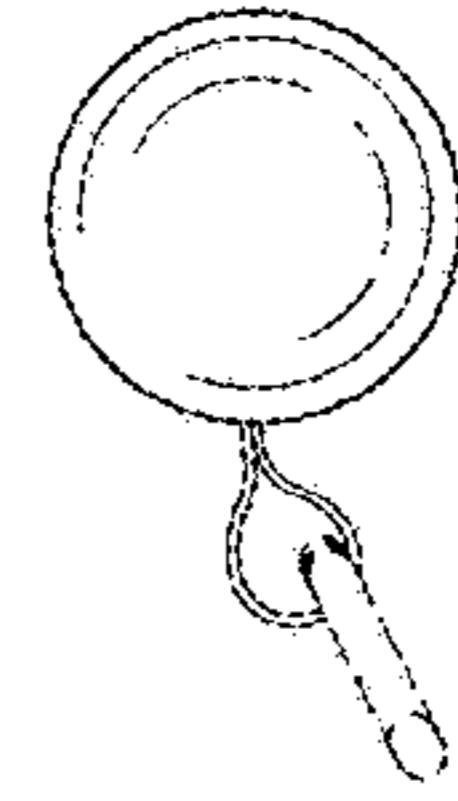


FIG. 6



FIG. 5

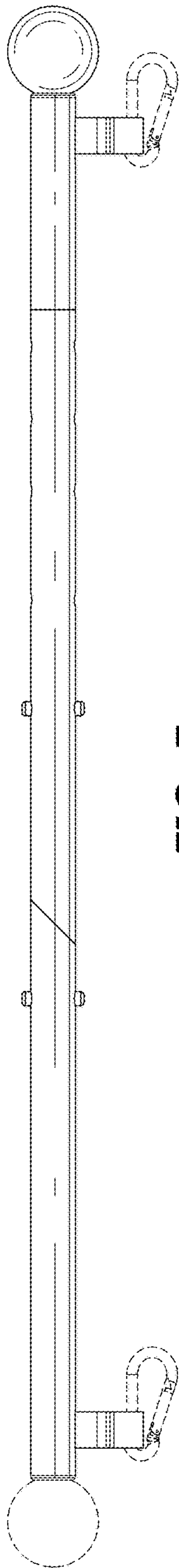


FIG. 7

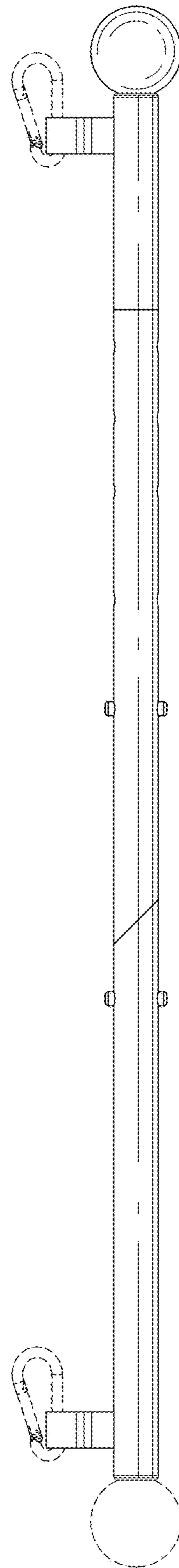


FIG. 8