



US00D802150S

(12) **United States Design Patent** (10) **Patent No.:** **US D802,150 S**
Lund (45) **Date of Patent:** **** Nov. 7, 2017**

(54) **POD MOUNT**

D765,064 S * 8/2016 Wengreen D14/238.1
D782,685 S * 3/2017 Pippel D24/186
9,657,893 B2 * 5/2017 Buresh, II F16M 13/022

(71) Applicant: **Draeger Medical Systems, Inc.**,
Andover, MA (US)

* cited by examiner

(72) Inventor: **Peter Andrew Lund**, Nashua, NH (US)

Primary Examiner — Anhdao Doan

(73) Assignee: **Draeger Medical Systems, Inc.**,
Andover, MA (US)

(74) *Attorney, Agent, or Firm* — Jones Day

(**) Term: **15 Years**

(57) **CLAIM**

The ornamental design for a pod mount, as shown and described.

(21) Appl. No.: **29/544,908**

DESCRIPTION

(22) Filed: **Nov. 6, 2015**

(51) **LOC (10) Cl.** **24-02**

(52) **U.S. Cl.**
USPC **D24/186**

(58) **Field of Classification Search**
USPC D24/165–168, 186, 187, 107, 231, 232;
D10/75; D14/433, 434, 447; D8/72,
D8/349, 380
CPC A61B 5/002; A61B 5/02028; A61B 5/022;
A61B 5/024; A61B 5/026; A61B 5/029;
A61B 5/4884; A61B 2560/0456
See application file for complete search history.

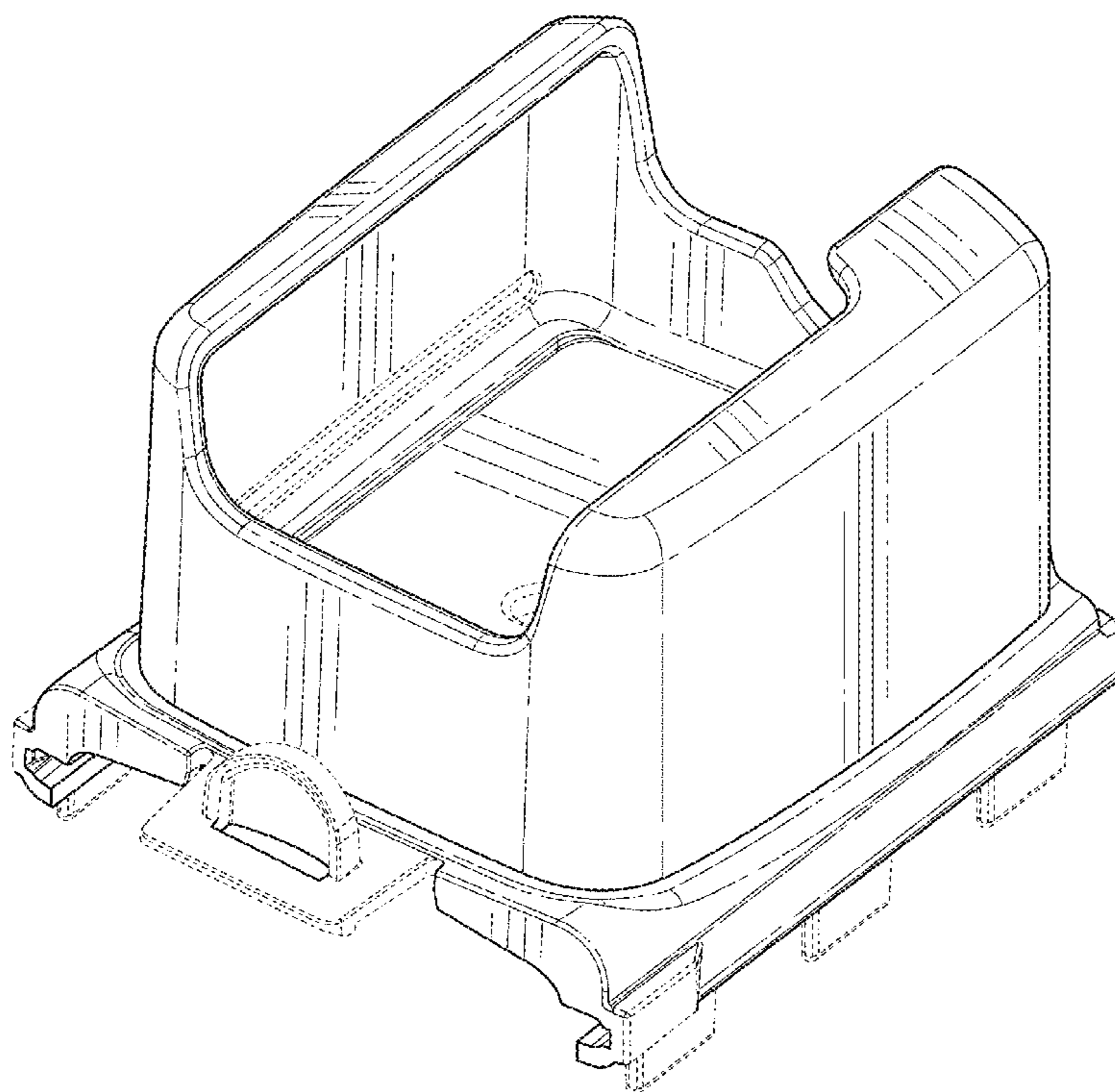
FIG. 1 is a front perspective view of a pod mount
FIG. 2 is a back perspective view of the pod mount;
FIG. 3 is a front view of the pod mount;
FIG. 4 is a back view of the pod mount;
FIG. 5 is a first side view of the pod mount;
FIG. 6 is a second side view of the pod mount;
FIG. 7 is a top view of the pod mount;
FIG. 8 is a bottom view of the pod mount;
FIG. 9 is a front perspective view of the pod mount with a
pod mounted therein; and,
FIG. 10 is a back perspective view of the pod mount with the
pod mounted therein.
The broken lines depicting a pod in FIGS. 9 and 10 are
directed to environment and are for illustrative purposes
only, and all other broken lines represent portions of the pod
mount that form no part of the claimed design; the broken
lines form no part of the claimed design.

(56) **References Cited**

U.S. PATENT DOCUMENTS

D554,759 S * 11/2007 Barker D24/186
D606,832 S * 12/2009 Wan D8/72
D642,279 S * 7/2011 Barker D24/186
D747,636 S * 1/2016 Maher D8/72

1 Claim, 10 Drawing Sheets



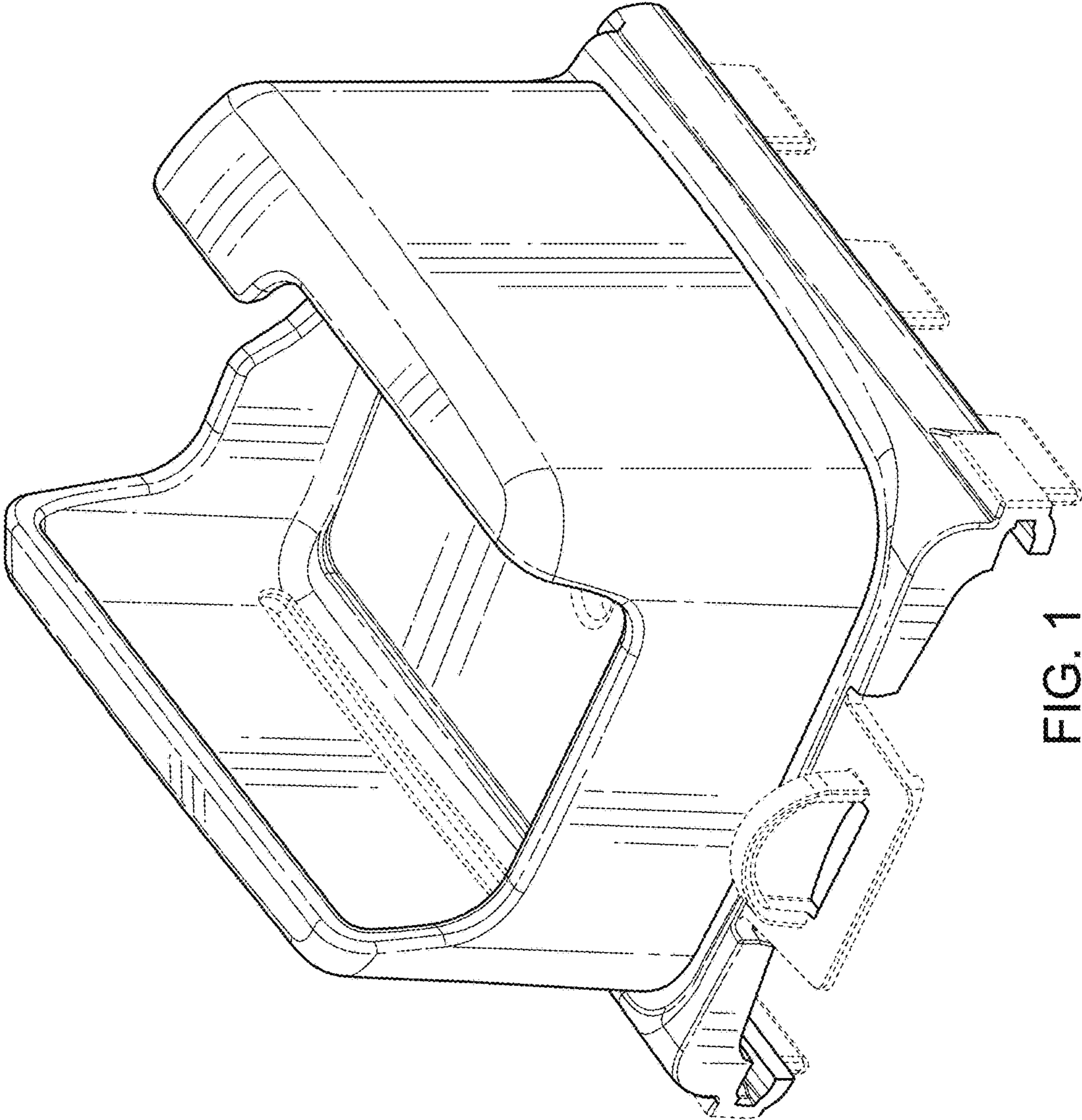


FIG. 1

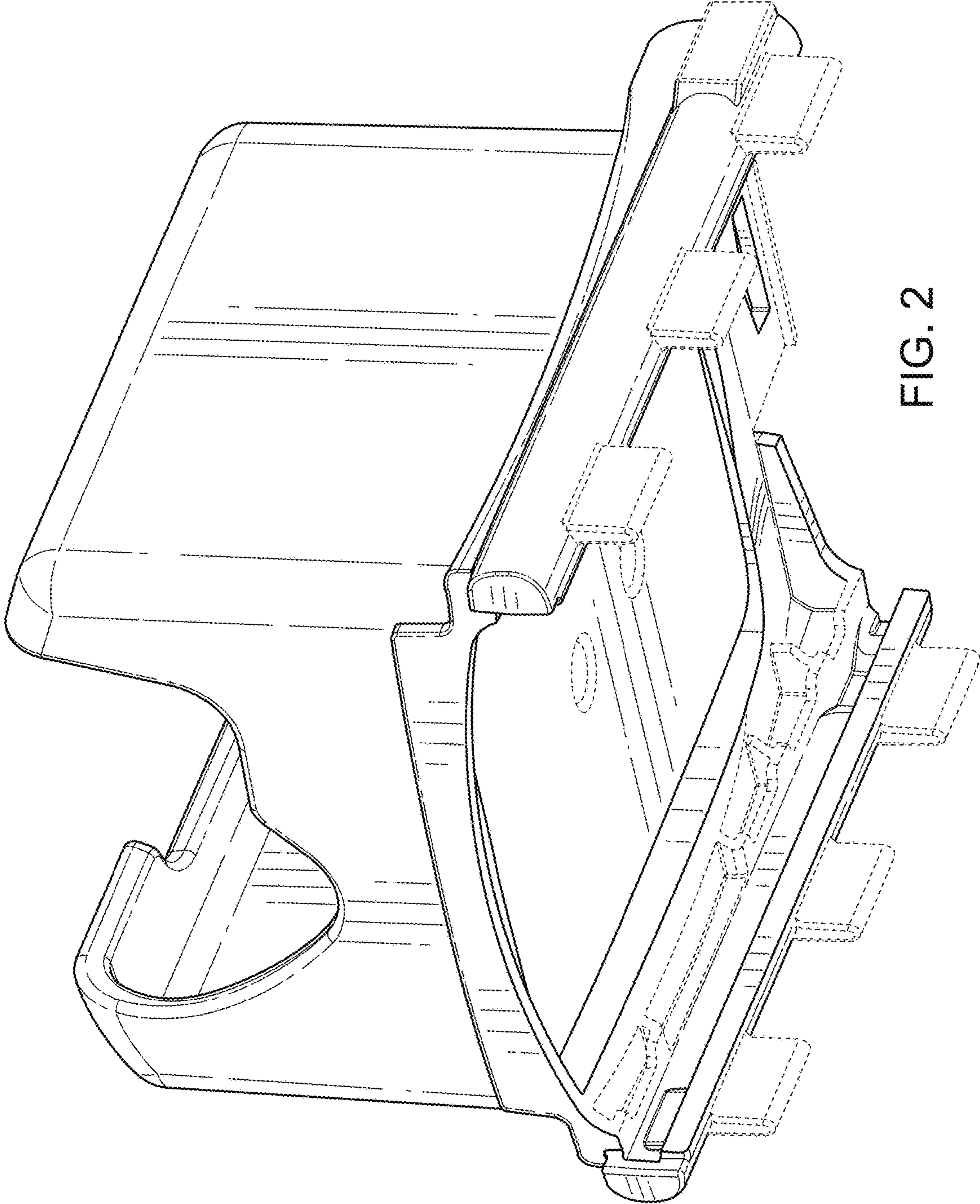


FIG. 2

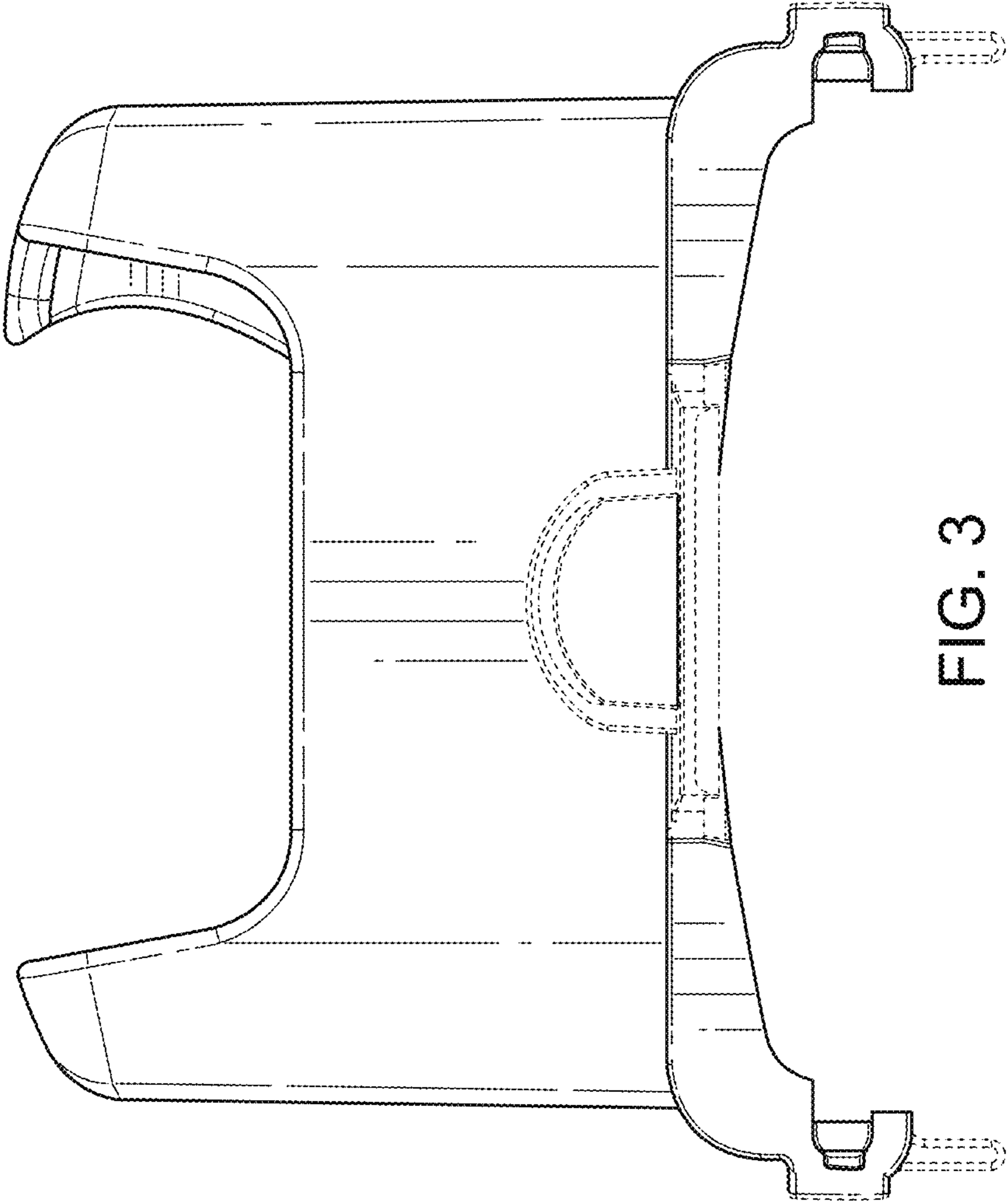


FIG. 3

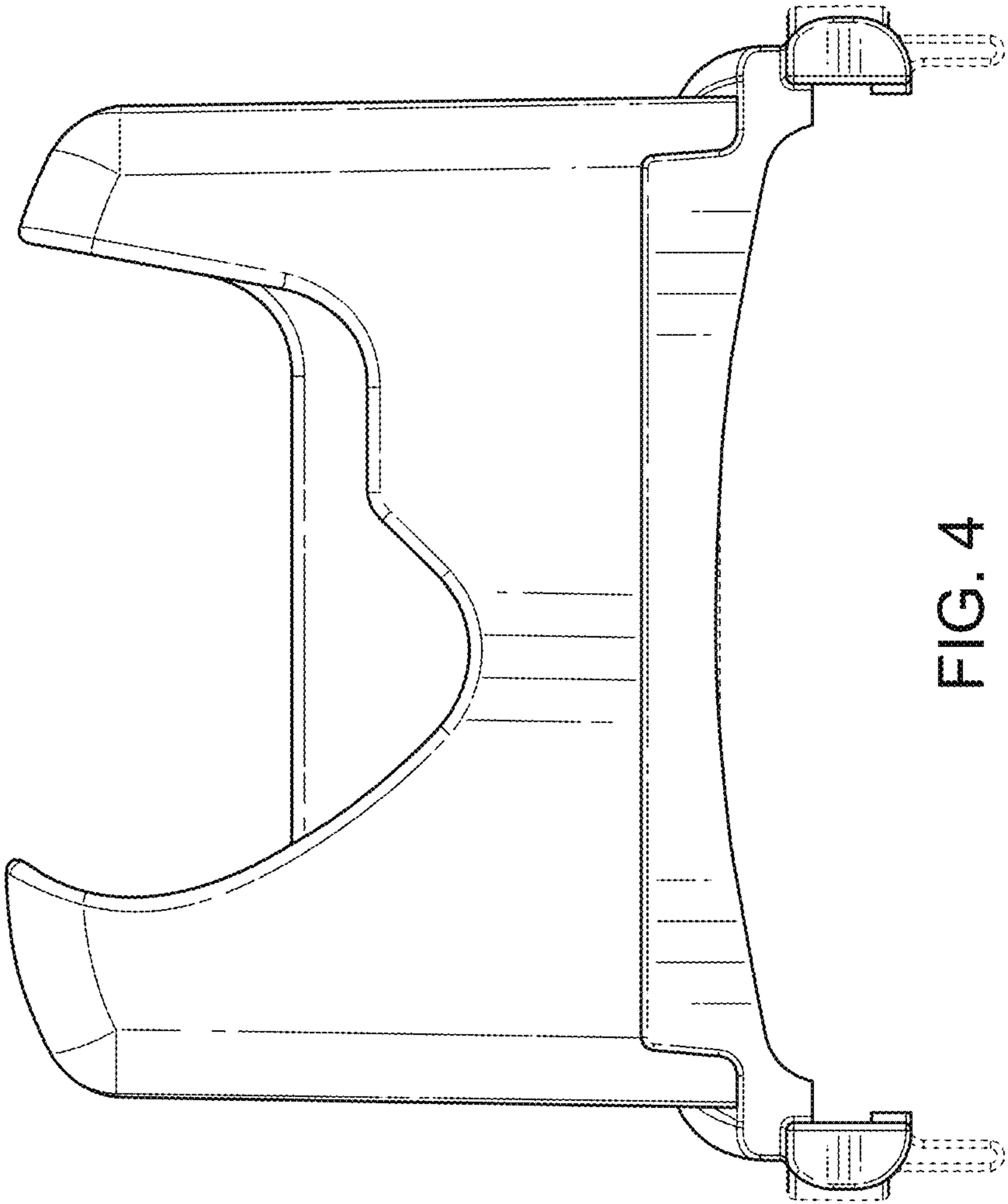


FIG. 4

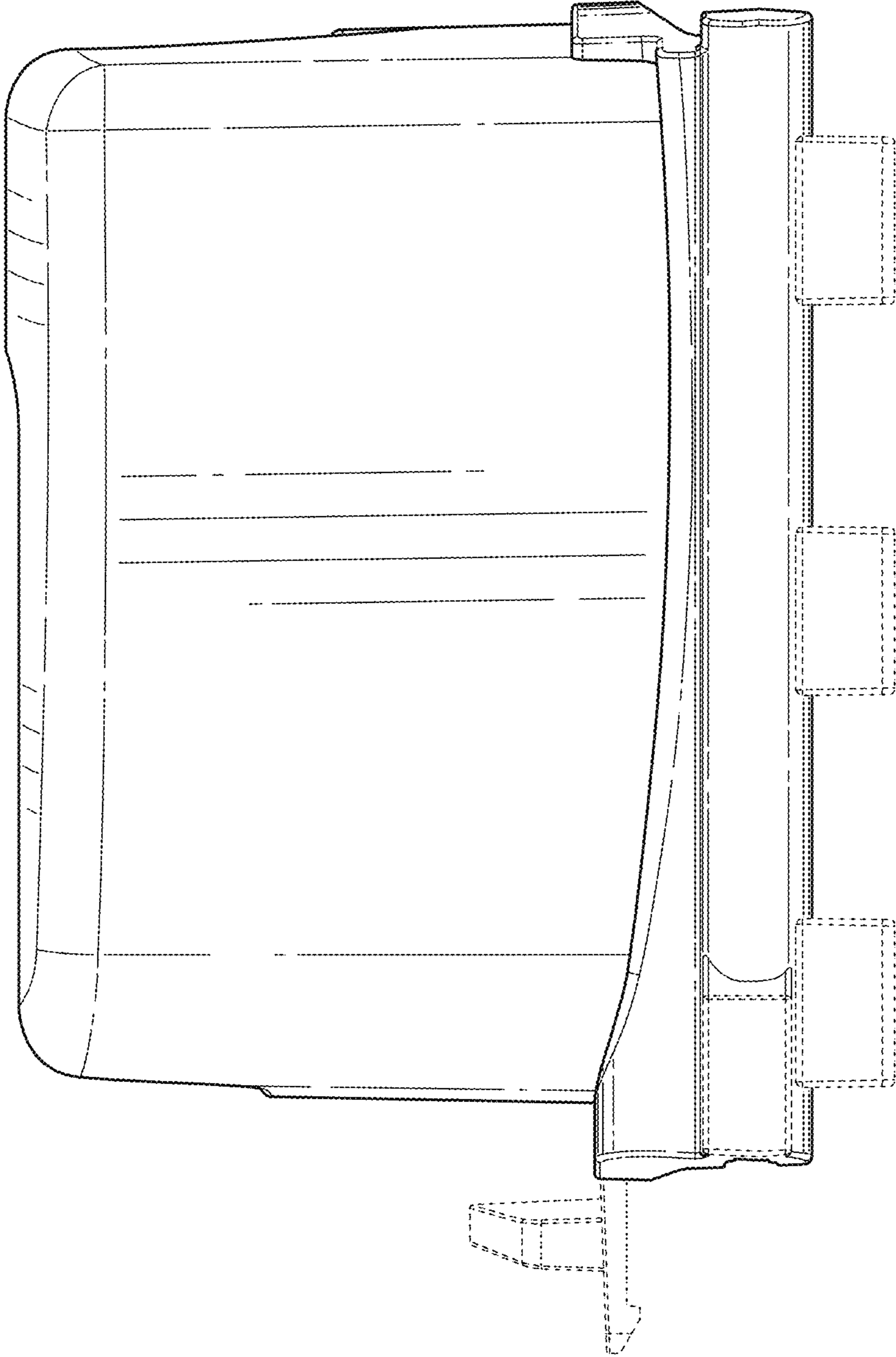


FIG. 5

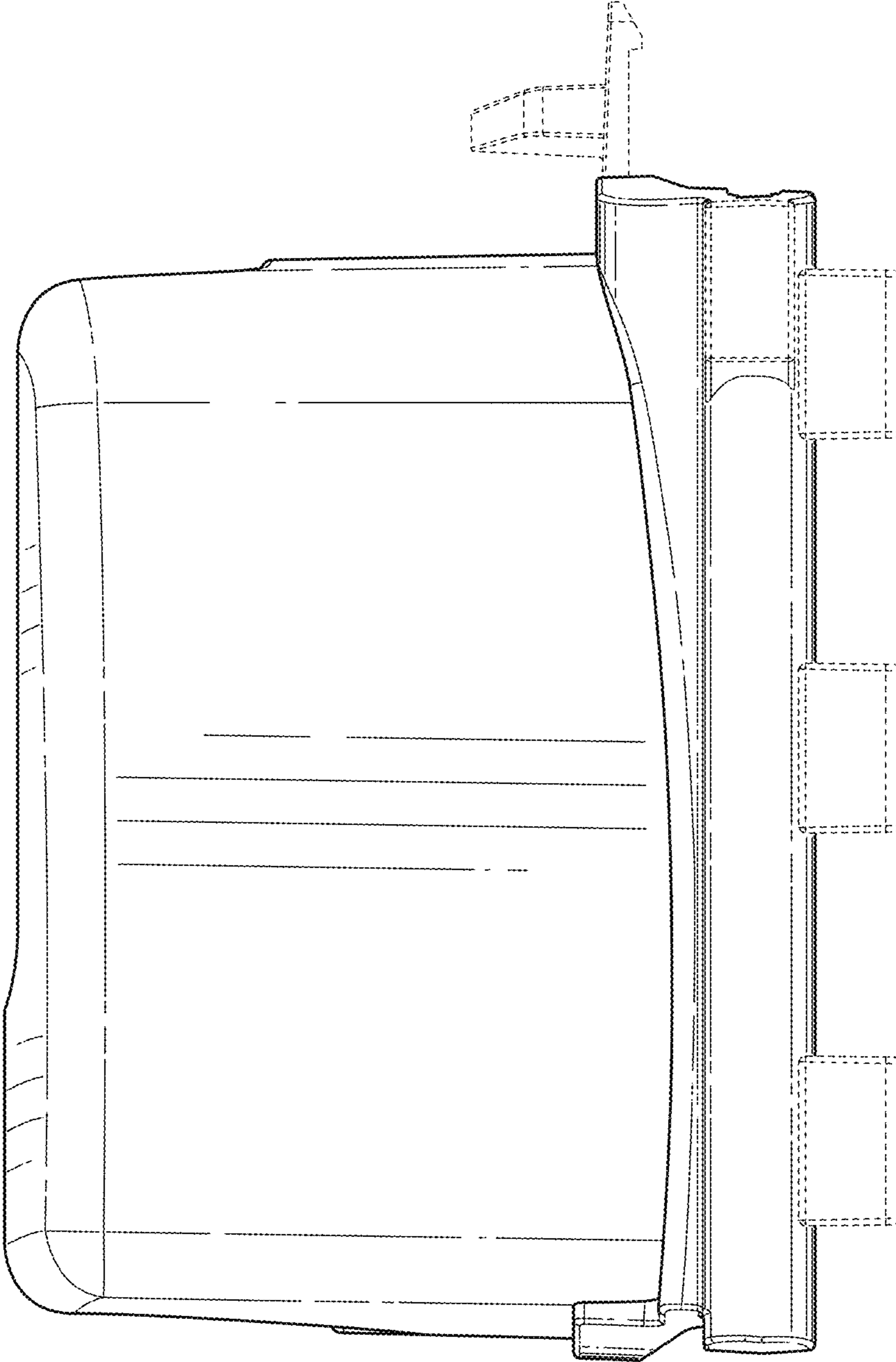


FIG. 6

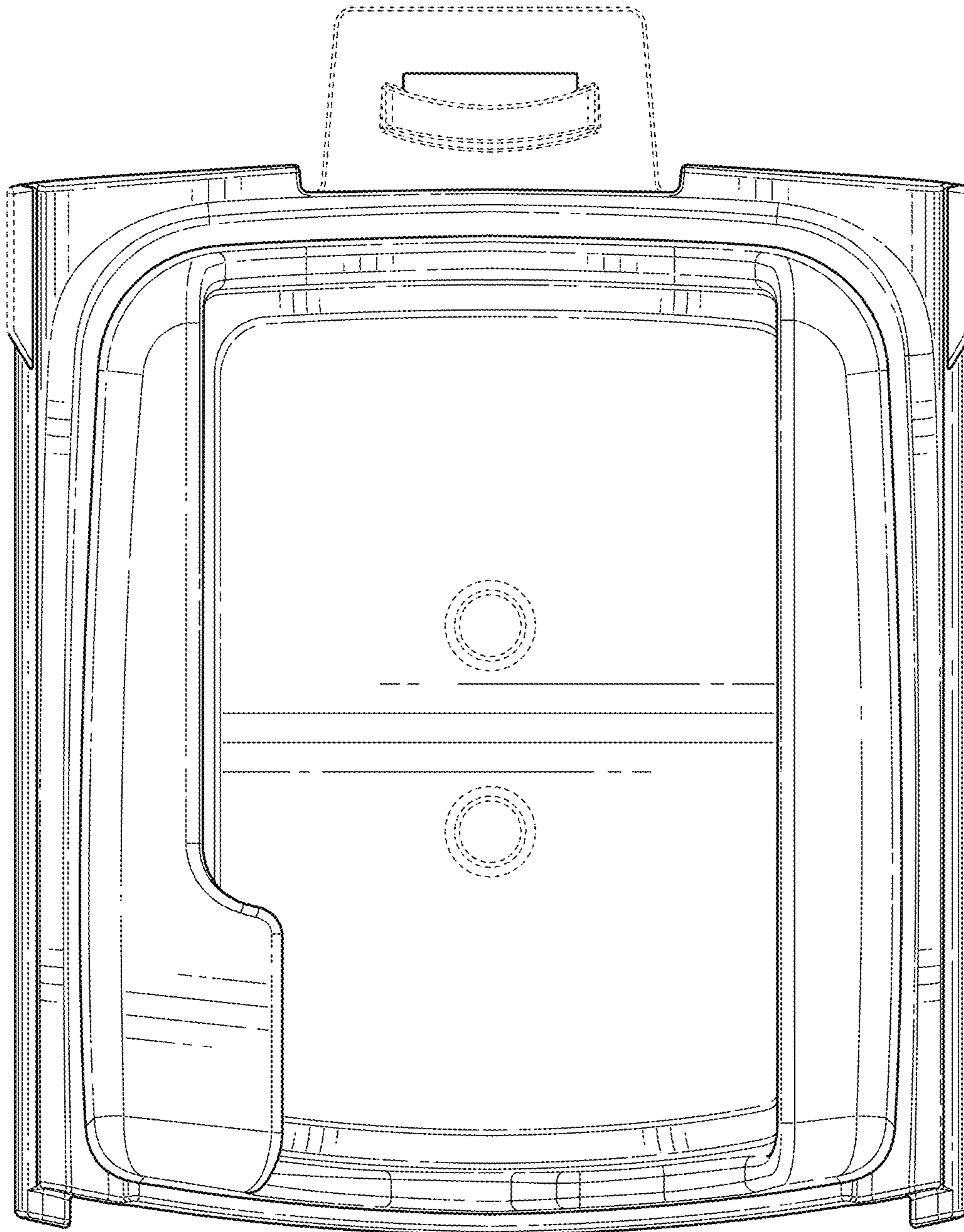


FIG. 7

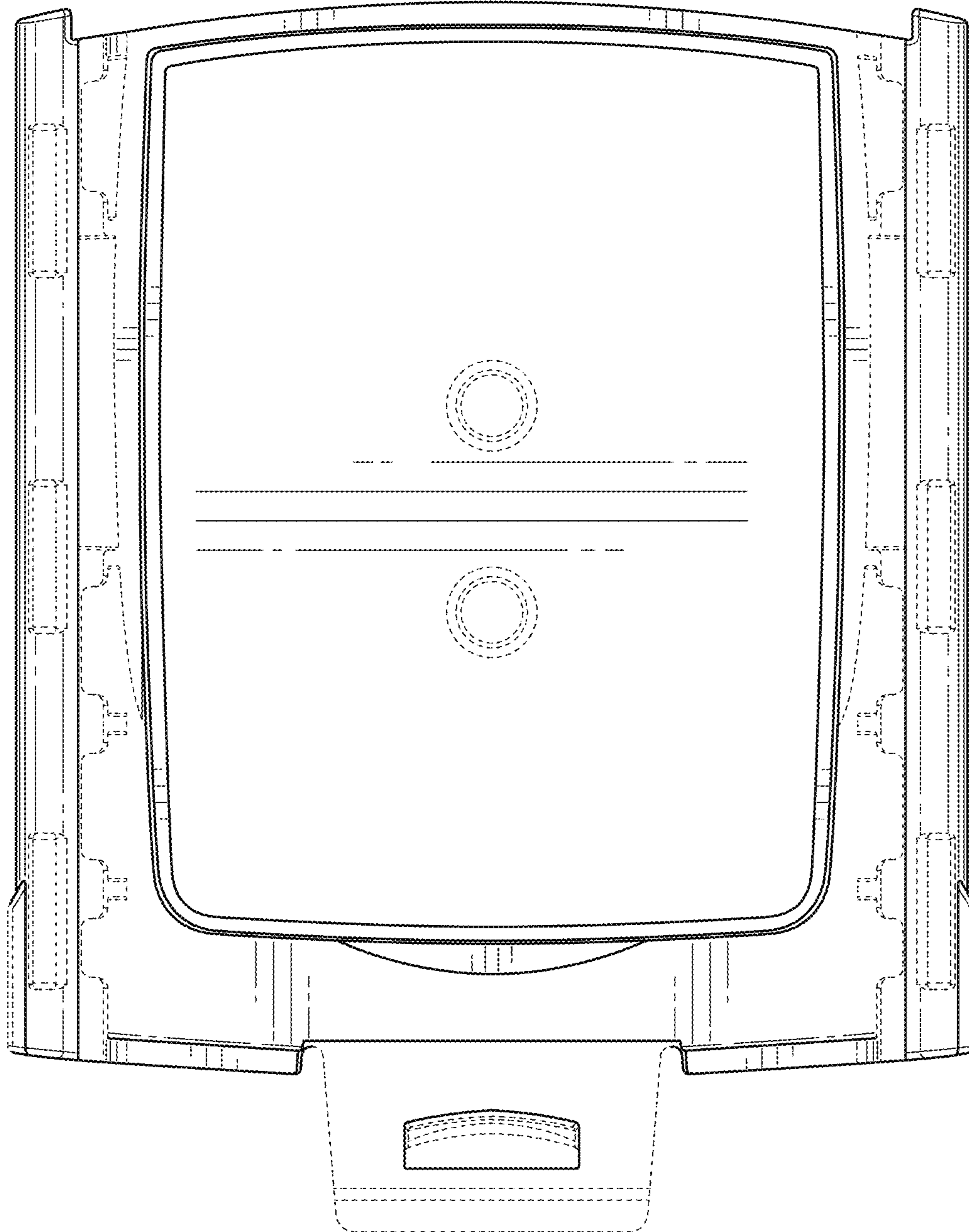


FIG. 8

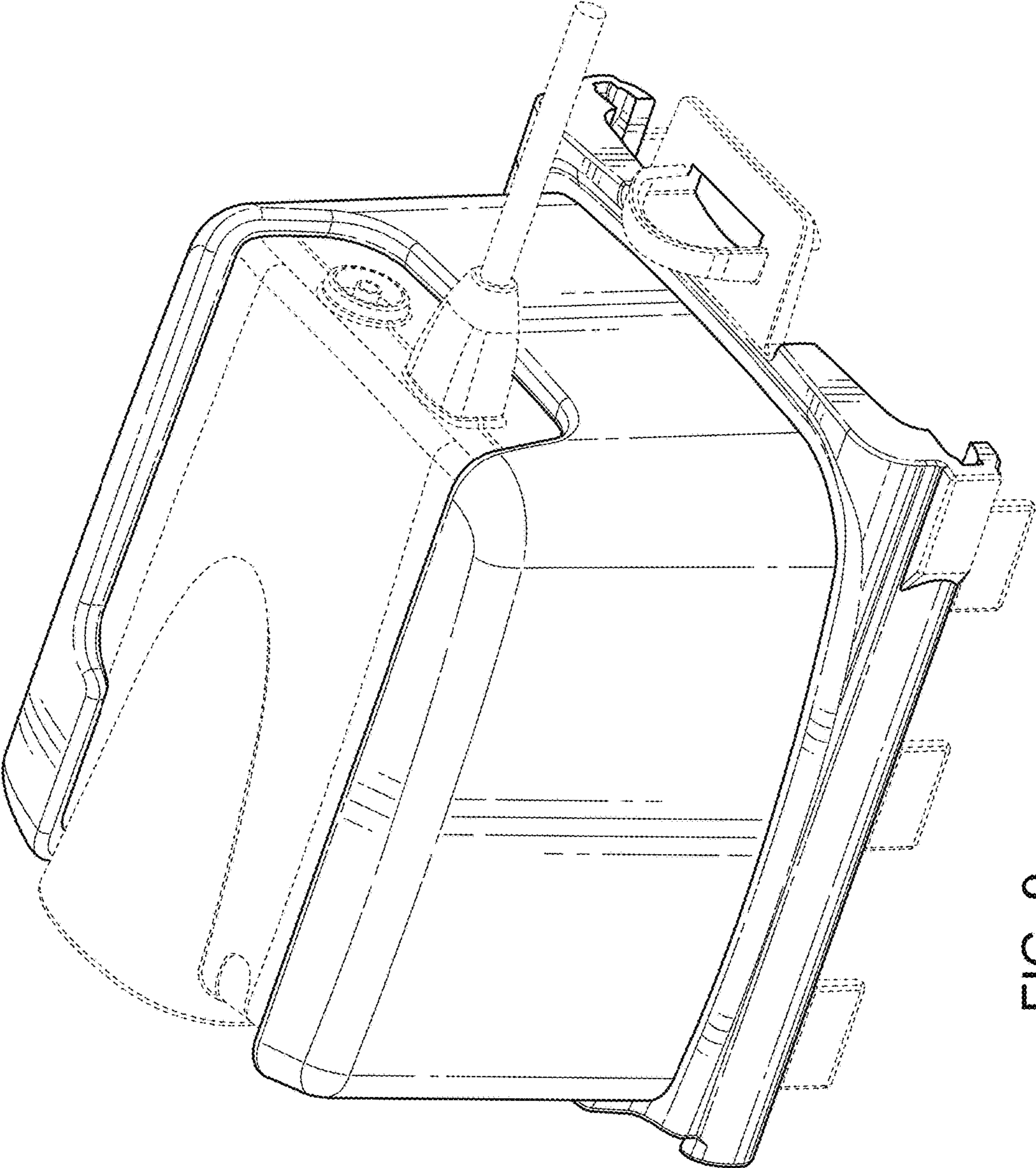


FIG. 9

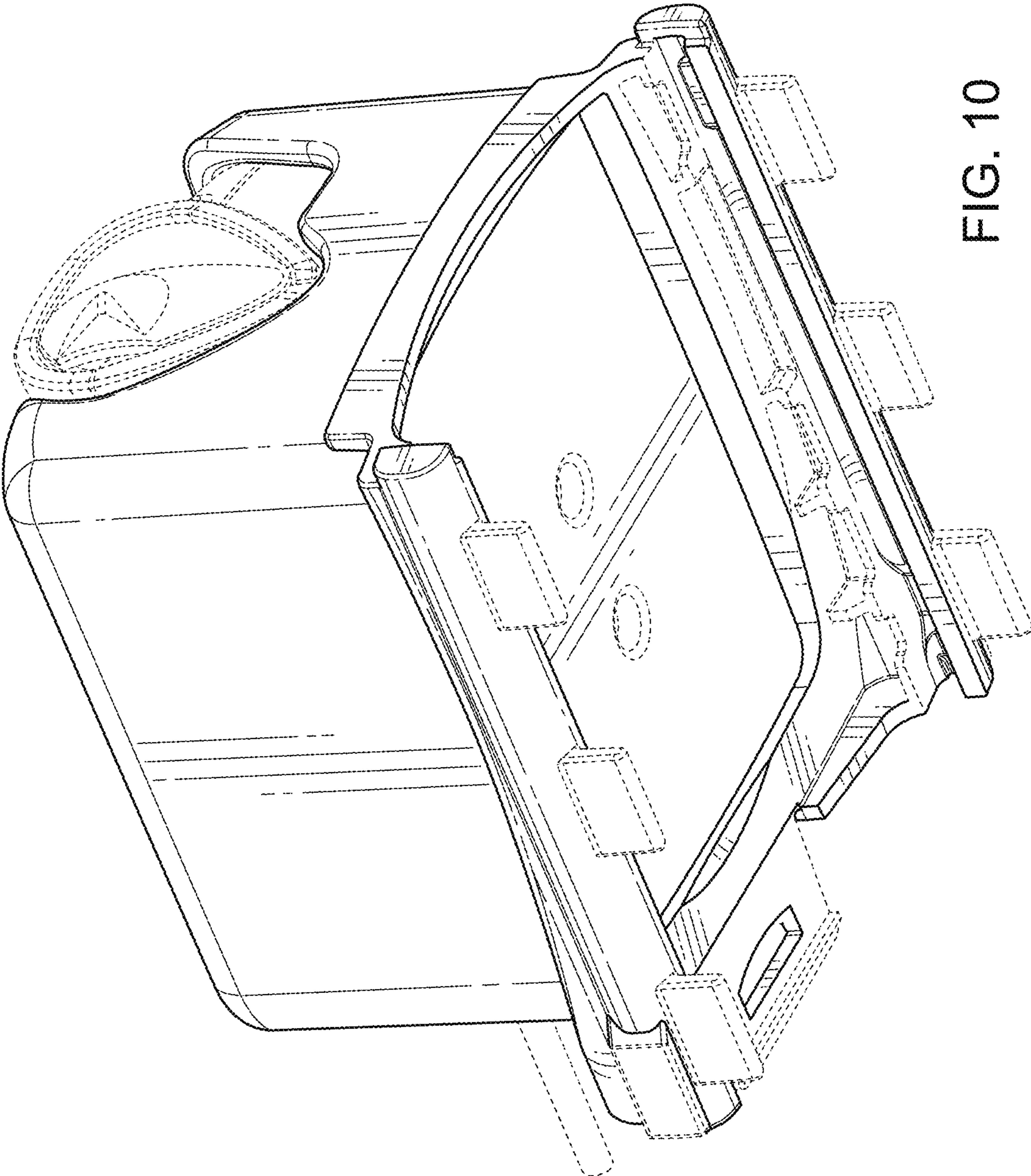


FIG. 10