



US00D802149S

(12) **United States Design Patent** (10) **Patent No.:** **US D802,149 S**
Hacker et al. (45) **Date of Patent:** **** *Nov. 7, 2017**

(54) **BIOPSY SYSTEM CONSOLE**
(71) Applicant: **C. R. Bard, Inc.**, Tempe, AZ (US)
(72) Inventors: **Thomas G. Hacker**, Anaheim, CA (US); **Angela K. Jensen**, Mesa, AZ (US); **Derek J. Daw**, Huntington Beach, CA (US)
(73) Assignee: **C. R. Bard, Inc.**, Tempe, AZ (US)
(*) Notice: This patent is subject to a terminal disclaimer.
(**) Term: **15 Years**
(21) Appl. No.: **29/554,152**
(22) Filed: **Feb. 9, 2016**

D344,377 S 2/1994 Thomas
D366,318 S 1/1996 Lukac et al.
D373,665 S 9/1996 Nakamura et al.
D382,680 S 8/1997 Meelen
D391,700 S 3/1998 Hughes
D394,527 S 5/1998 Pochopien et al.
D399,617 S 10/1998 Fujita
D429,855 S 8/2000 Griffin
D432,746 S 10/2000 Frey
D447,293 S 8/2001 Griffin
D467,001 S * 12/2002 Buczek D24/172
D467,349 S 12/2002 Niedbala et al.
D468,420 S 1/2003 Bolmsjo
6,626,445 B2 * 9/2003 Murphy A61G 12/001
280/47.34
D484,285 S 12/2003 Schroter
D491,704 S 6/2004 Shin

(Continued)

Primary Examiner — Rhea Shields

Related U.S. Application Data

(62) Division of application No. 29/535,755, filed on Aug. 10, 2015, now Pat. No. Des. 752,232, which is a division of application No. 29/472,541, filed on Nov. 13, 2013, now Pat. No. Des. 739,537.

(51) **LOC (10) Cl.** **24-00**
(52) **U.S. Cl.**

USPC **D24/185**
(58) **Field of Classification Search**
USPC D24/185, 172, 158, 164, 186, 234, 128, D24/163; D6/653.15, 708.17, 708, 690, D6/696.1, 691.4, 353, 656.15, 486, 349, D6/405, 368; 108/24, 147; 280/47.34; 378/198; D13/163; D34/14, 27
CPC B01L 9/02; A61G 12/001; A61B 6/4405
See application file for complete search history.

References Cited

U.S. PATENT DOCUMENTS

D107,970 S 1/1938 Pfauiser
D327,966 S 7/1992 Hikawa

(57) **CLAIM**

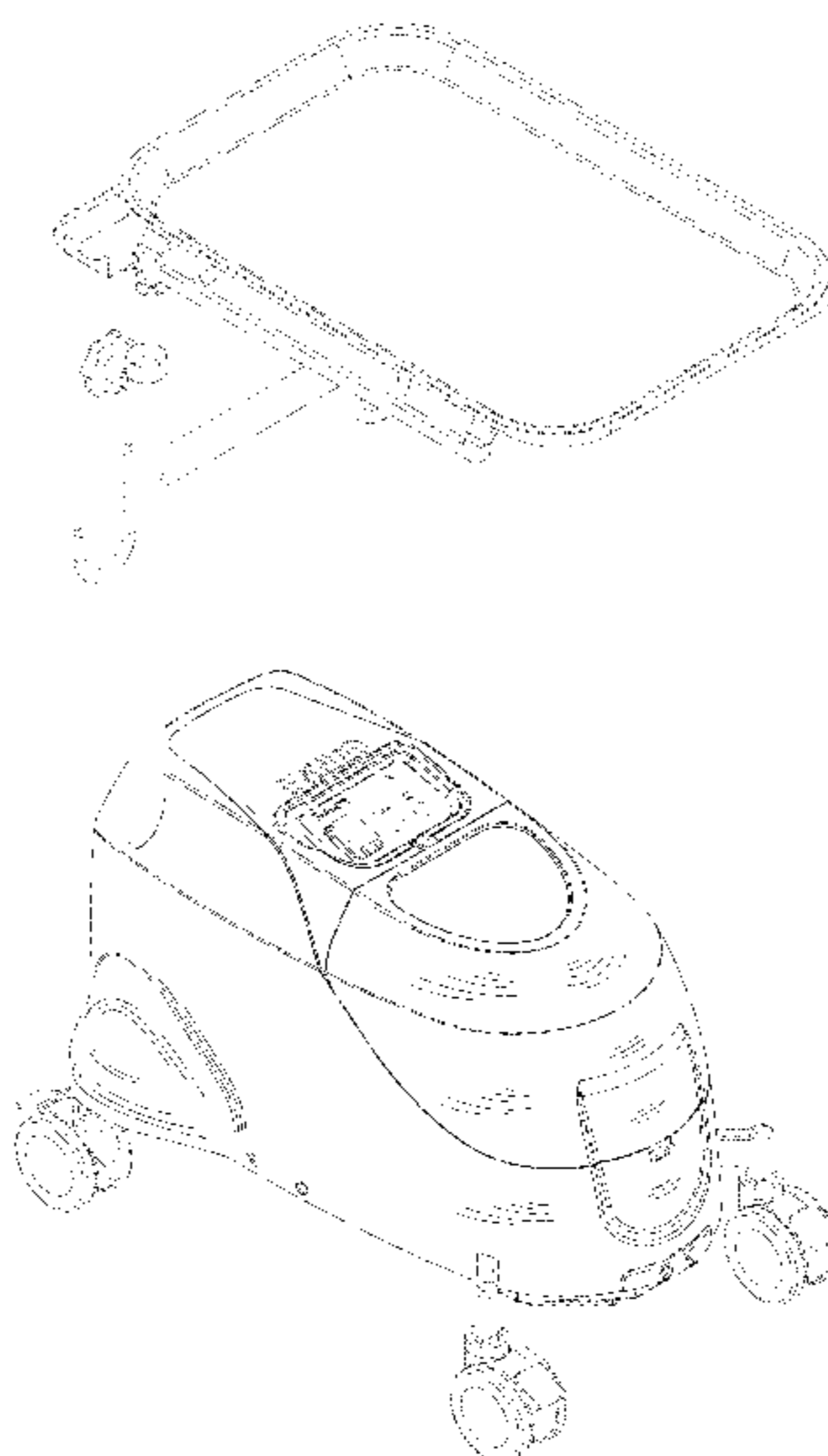
The ornamental design for a biopsy system console, as shown and described.

DESCRIPTION

FIG. 1 is a perspective view of a biopsy system console showing the new design;
FIG. 2 is a front view of the biopsy system console of FIG. 1, with the cover in the closed position;
FIG. 3 is a front view of the biopsy system console of FIG. 1, with the cover in an open position;
FIG. 4 is a left side view of the biopsy system console of FIG. 1;
FIG. 5 is a right side view of the biopsy system console of FIG. 1; and,
FIG. 6 is a rear view of the biopsy system console of FIG. 1.

In the drawings, the broken lines are for the purpose of illustrating environment only and form no part of the claimed design.

1 Claim, 6 Drawing Sheets



(56)

References Cited

U.S. PATENT DOCUMENTS

D492,458 S 6/2004 Jarast
 D505,804 S 6/2005 Chen
 D512,545 S 12/2005 Griffin
 D516,265 S 2/2006 Jarast
 7,009,840 B2 3/2006 Clark et al.
 D527,152 S 8/2006 Chen
 D533,693 S 12/2006 Lee
 D550,362 S * 9/2007 Olivera D24/185
 D555,792 S 11/2007 Haymann et al.
 D567,381 S * 4/2008 Olivera D24/185
 D568,258 S * 5/2008 Adam D13/163
 D573,768 S 7/2008 Tuncel
 D575,022 S 8/2008 Girard
 D581,608 S 11/2008 Dammkoehler et al.
 D581,823 S 12/2008 Mori et al.
 D582,621 S 12/2008 Girard
 D603,122 S 10/2009 Balester et al.
 D607,569 S 1/2010 Yukikado et al.
 D612,561 S 3/2010 Hunter et al.
 D613,866 S 4/2010 Tanaka et al.
 D616,619 S 5/2010 Schroeter
 D618,870 S 6/2010 Williams et al.
 D620,220 S 7/2010 Hsu
 D626,236 S 10/2010 Ninomiya et al.
 D627,070 S 11/2010 Staufenberg et al.

D629,523 S 12/2010 Porter et al.
 D639,948 S * 6/2011 Personelli D24/158
 D640,437 S 6/2011 Opsahl et al.
 D644,544 S 9/2011 Yukikado
 D644,546 S 9/2011 Yukikado
 D650,142 S 12/2011 McRorie
 D662,208 S 6/2012 Otoha et al.
 8,245,652 B2 * 8/2012 Hung A61G 12/001
 108/147
 D680,650 S 4/2013 Muraoka et al.
 D682,494 S 5/2013 Kim et al.
 D690,012 S * 9/2013 Yanase D24/158
 D690,017 S * 9/2013 Tartaglia D24/185
 D702,840 S * 4/2014 Blomquist D24/164
 D702,842 S * 4/2014 Hyde D24/185
 D709,202 S * 7/2014 Lamoureux D24/185
 D712,042 S * 8/2014 Chung D24/185
 D714,940 S * 10/2014 Kim D24/158
 D722,381 S * 2/2015 Mareguddi D24/163
 D722,696 S * 2/2015 Blomquist D24/164
 D730,011 S * 5/2015 McRorie D34/14
 D739,537 S * 9/2015 Hacker D24/185
 D752,231 S * 3/2016 Halter D24/185
 D762,339 S * 7/2016 McRorie D34/27
 2010/0213679 A1 8/2010 Smith et al.
 2012/0148031 A1 * 6/2012 Eaves A61B 6/4405
 378/198

* cited by examiner

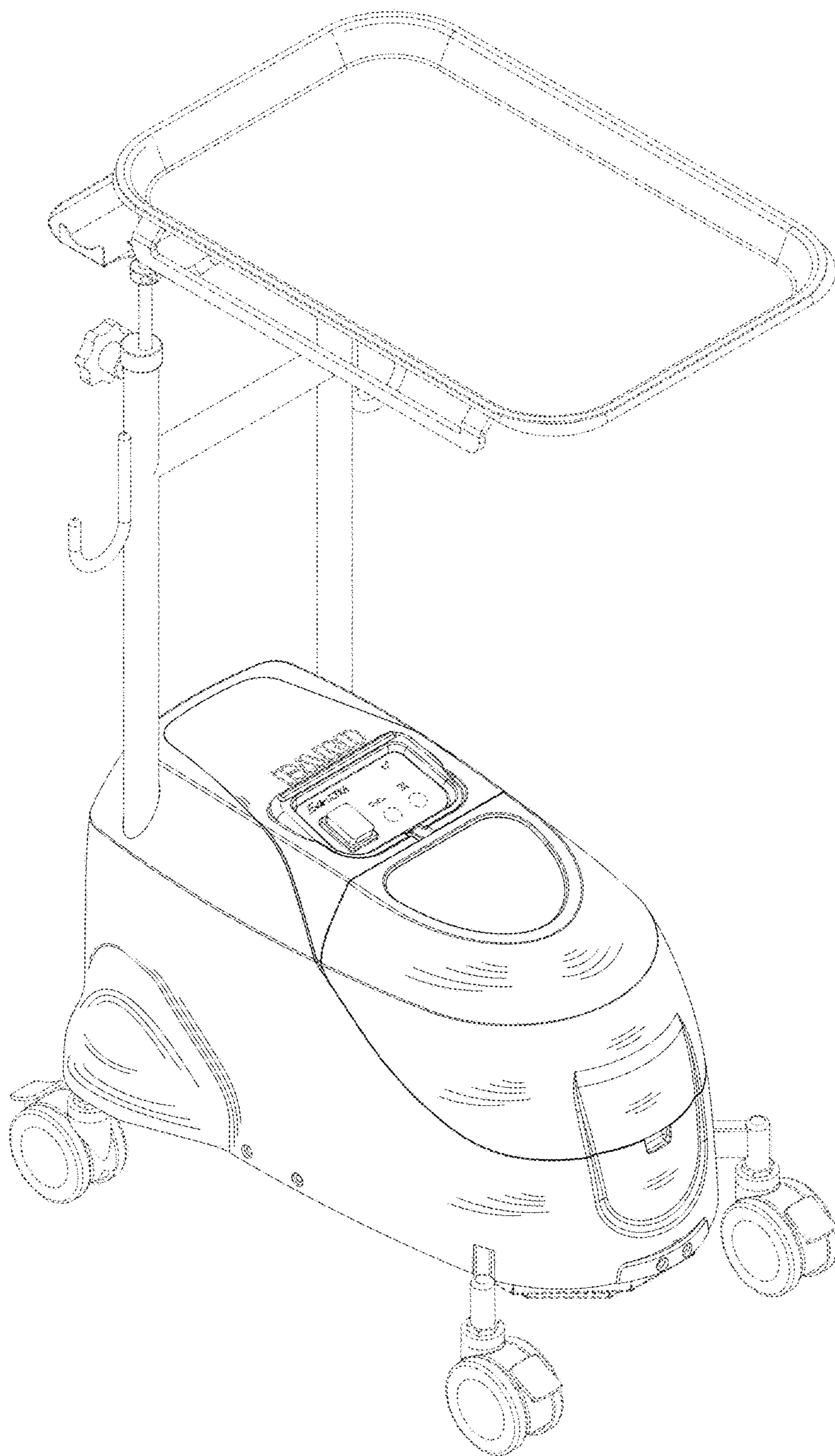


Fig. 1

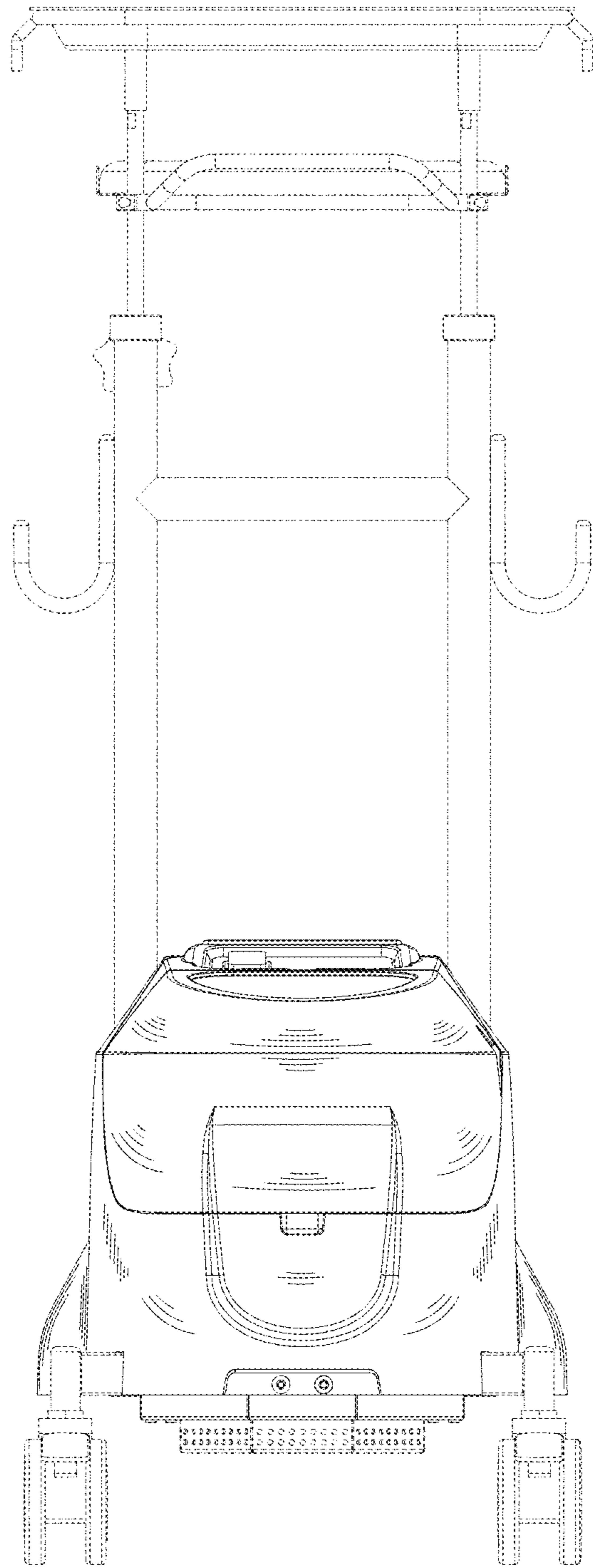


Fig. 2

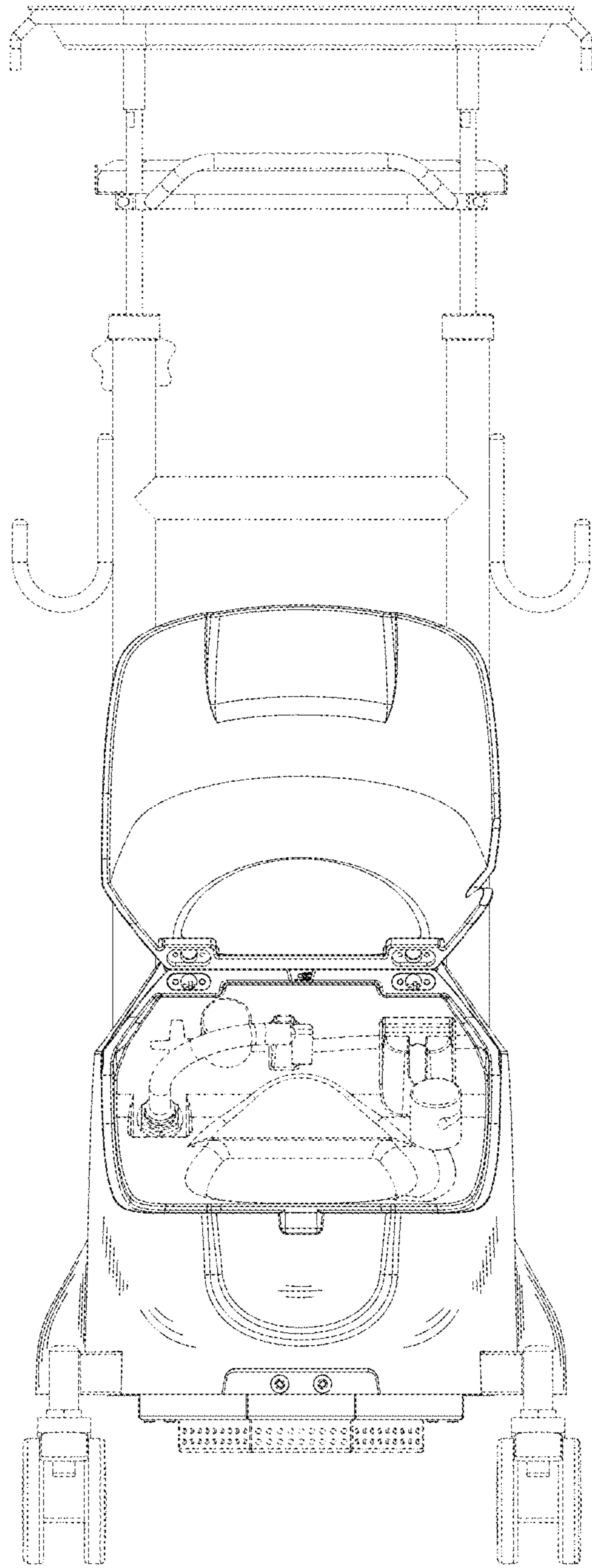


Fig. 3

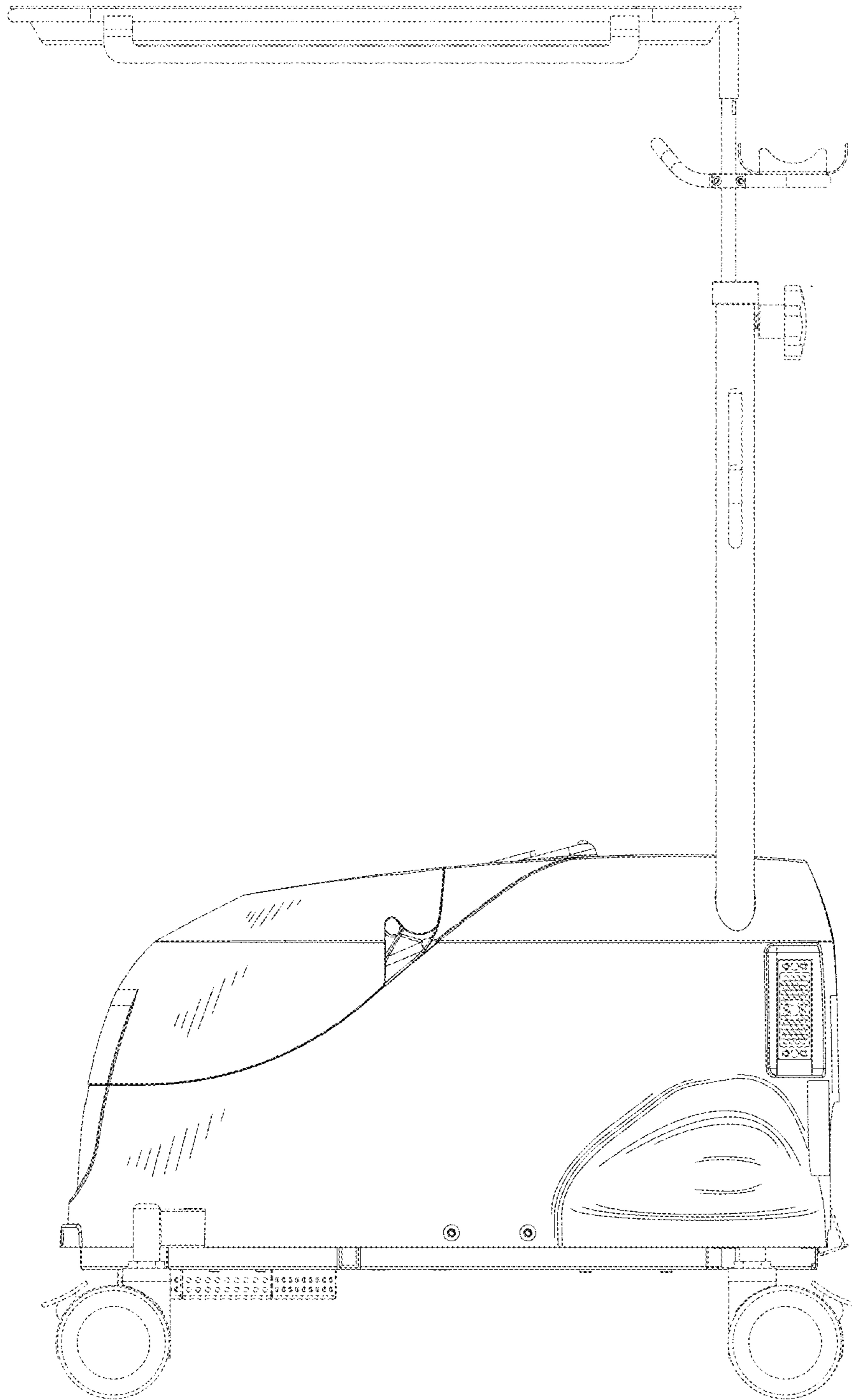


Fig. 4

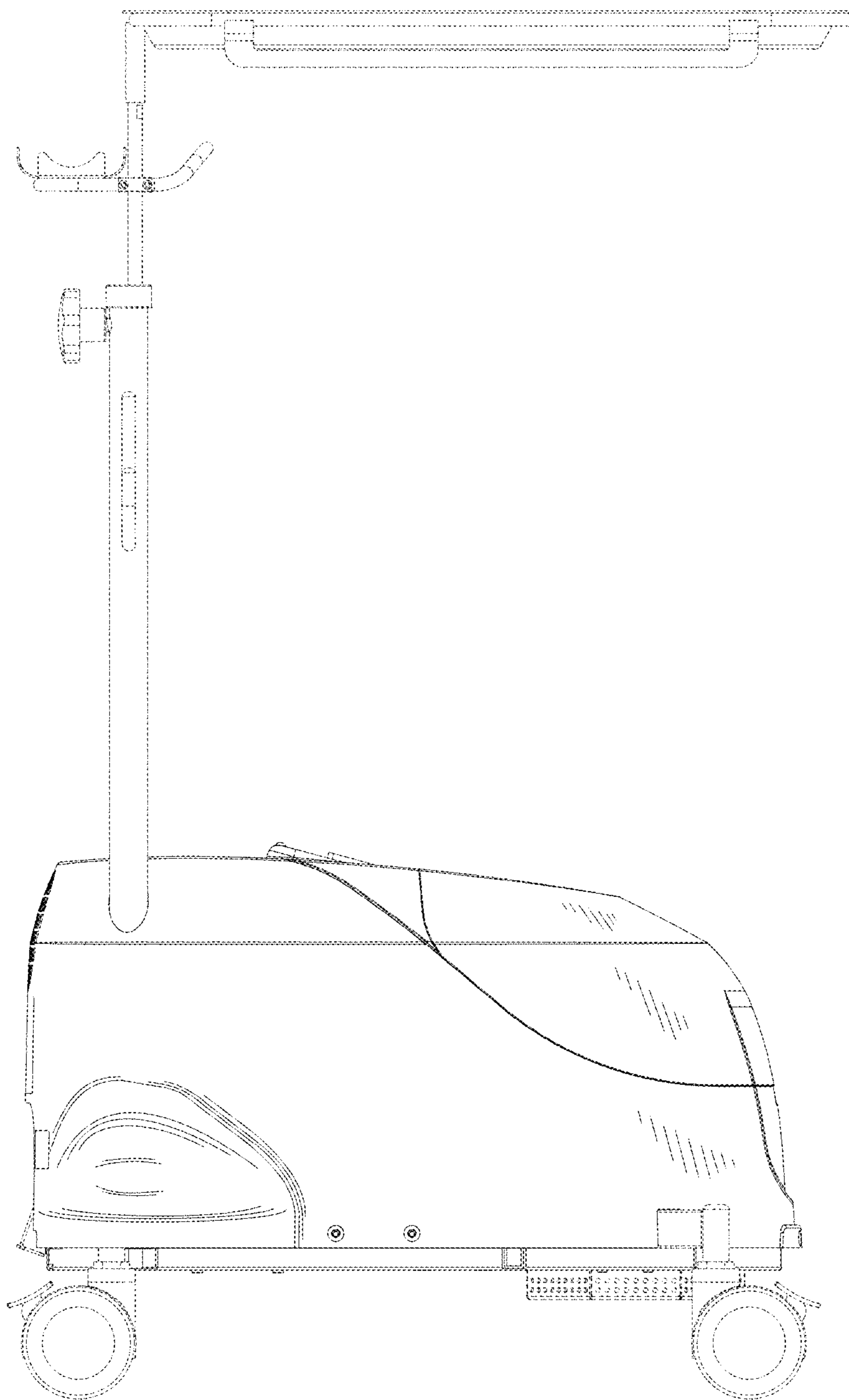


Fig. 5

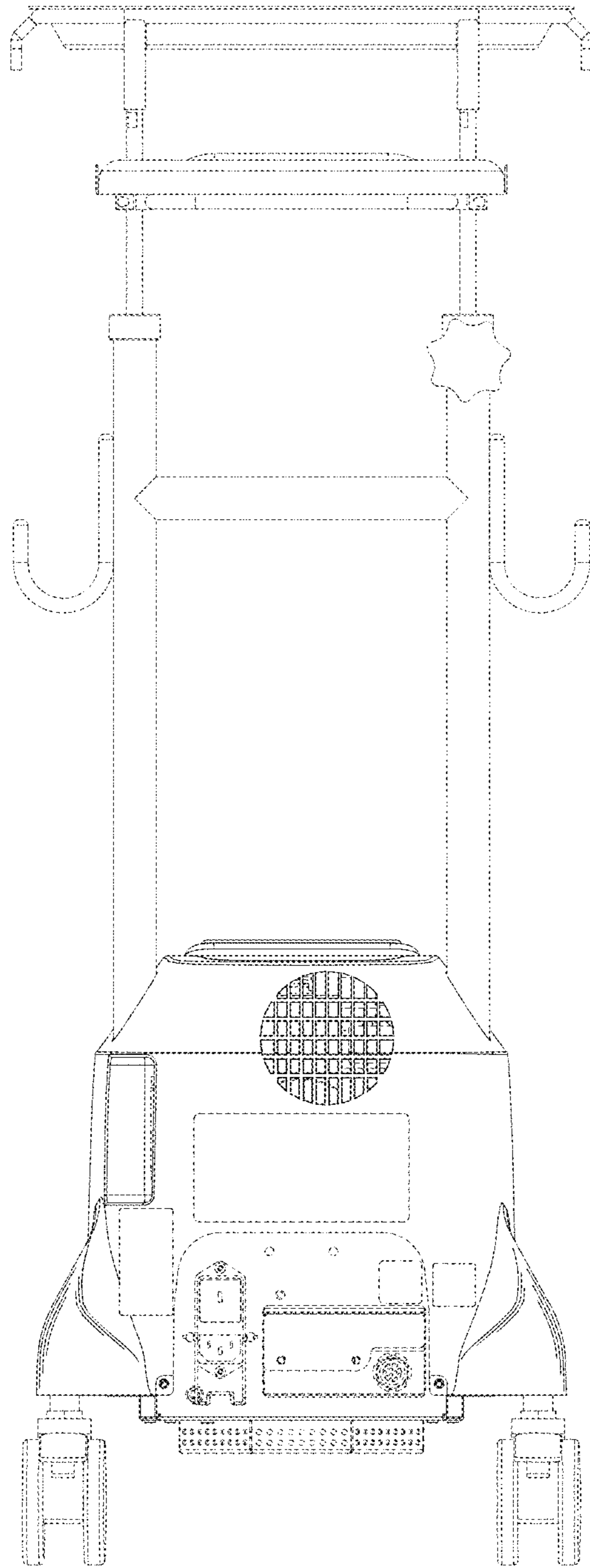


Fig. 6