



US00D802148S

(12) **United States Design Patent**  
**Lavin**

(10) **Patent No.:** **US D802,148 S**  
(45) **Date of Patent:** **\*\* Nov. 7, 2017**

- (54) **SINGLE PATIENT LIFT STRAP DEVICE**
- (71) Applicant: **Manuel Sierra Lavin**, Belleville, MI (US)
- (72) Inventor: **Manuel Sierra Lavin**, Belleville, MI (US)
- (\*\*) Term: **15 Years**
- (21) Appl. No.: **29/539,704**
- (22) Filed: **Sep. 16, 2015**
- (51) **LOC (10) Cl.** ..... **24-01**
- (52) **U.S. Cl.**  
USPC ..... **D24/184**
- (58) **Field of Classification Search**  
USPC ..... D24/183-184, 188, 190, 192; D12/128, D12/133; D29/100, 101.1; D34/33; 4/561.1; 5/81.1 R, 81 T, 83.1, 84.1, 85.1, 5/86.1, 87.1, 88.1, 89.1, 620-624, 628; 414/921; 602/4  
CPC ..... A61G 7/0536; A61G 7/10; A61G 7/1001; A61G 7/1003; A61G 7/1011; A61G 7/1015; A61G 7/1016; A61G 7/1017; A61G 7/1019; A61G 7/1042; A61G 7/1044; A61G 7/1046; A61G 7/1048; A61G 7/1051; A61G 7/1067; A61G 7/109; A61G 7/1094; A61G 7/1096; A61G 5/00; A61G 5/14; A61F 5/3738; A61F 5/3769  
See application file for complete search history.

(56) **References Cited**

**U.S. PATENT DOCUMENTS**

- 3,877,421 A \* 4/1975 Brown ..... A61G 7/1017 5/86.1
- 4,125,908 A \* 11/1978 Vail ..... A61G 7/1042 414/921
- 4,446,587 A \* 5/1984 Jump ..... A61G 7/1015 5/83.1

- 4,682,377 A \* 7/1987 Reich ..... A61G 7/1051 5/83.1
- 4,703,523 A \* 11/1987 James ..... A61G 7/1096 5/83.1
- 5,022,106 A \* 6/1991 Richards ..... A61G 7/1094 5/86.1
- 5,077,844 A \* 1/1992 Twitchell ..... A61G 7/1017 5/81.1 R
- D325,185 S \* 4/1992 Markiw ..... D12/128
- 5,459,891 A \* 10/1995 Reeve ..... A61G 7/1044 212/231
- D371,333 S \* 7/1996 Fennell ..... D12/128
- D377,467 S \* 1/1997 Weimer ..... D24/190
- 5,644,805 A \* 7/1997 Horcher ..... A61G 7/1015 5/86.1
- 5,685,033 A \* 11/1997 Lavin ..... A61G 7/1017 5/89.1

(Continued)

*Primary Examiner* — Ian Simmons  
*Assistant Examiner* — Mark Cavanna  
(74) *Attorney, Agent, or Firm* — Jelic Patent Services, LLC; Stanley E. Jelic

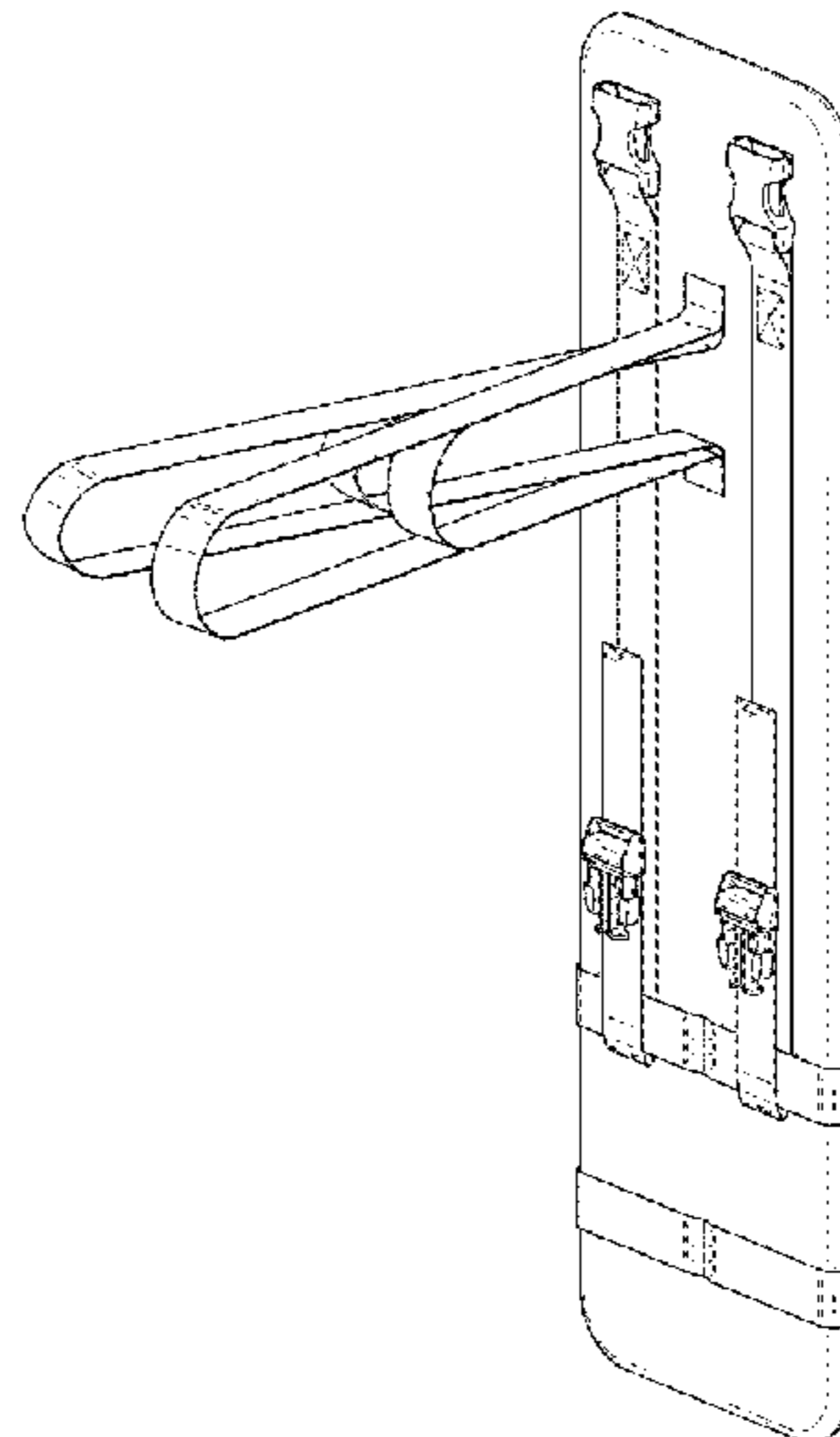
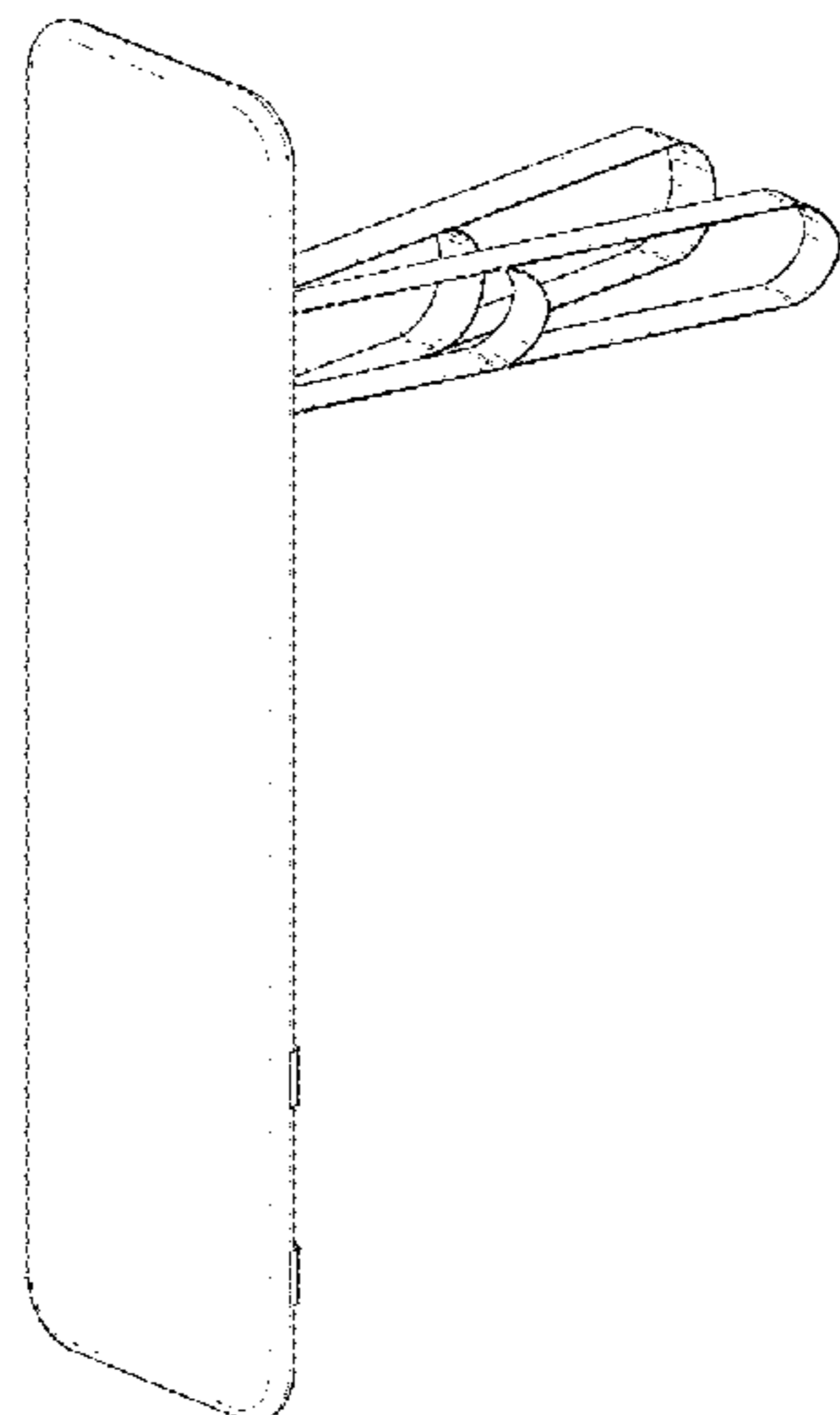
(57) **CLAIM**

I claim the ornamental design for a single patient lift strap device, as shown and described.

**DESCRIPTION**

FIG. 1 is a front perspective view of a single patient lift strap device.  
FIG. 2 is a back perspective view thereof.  
FIG. 3 is a front view thereof.  
FIG. 4 is a back view thereof.  
FIG. 5 is a bottom view thereof.  
FIG. 6 is a top view thereof.  
FIG. 7 is a left-side view thereof; and,  
FIG. 8 is a right-side view thereof.  
The broken lines seen in the drawings are included for the purpose of illustrating stitches on the single patient lift strap device and form no part of the claimed design.

**1 Claim, 6 Drawing Sheets**



(56)

**References Cited**

U.S. PATENT DOCUMENTS

5,815,859 A \* 10/1998 Lavin ..... A61G 7/1046  
5/83.1  
5,878,450 A \* 3/1999 Bouhuijs ..... A61G 7/1017  
5/86.1  
6,175,973 B1 \* 1/2001 Hakamiun ..... A61G 7/1067  
5/89.1  
D493,001 S \* 7/2004 Urban ..... D24/190  
7,179,241 B2 \* 2/2007 Hollister ..... A61F 5/3738  
602/4  
D548,349 S \* 8/2007 Hollister ..... D24/190  
7,360,543 B1 \* 4/2008 Coleman ..... A61F 5/3769  
128/869  
D588,703 S \* 3/2009 Boleratz ..... D24/190  
D622,399 S \* 8/2010 Veon ..... D12/128  
8,060,958 B1 \* 11/2011 Hough ..... A61G 7/1017  
5/83.1  
8,856,981 B1 \* 10/2014 Rayess ..... A61G 7/1011  
5/89.1  
2004/0139542 A1 \* 7/2004 Crane ..... A61G 7/1003  
4/561.1  
2005/0217025 A1 \* 10/2005 Barattia ..... A61G 7/1015  
5/86.1  
2006/0048297 A1 \* 3/2006 Mills ..... A61G 7/1017  
5/86.1  
2011/0083266 A1 \* 4/2011 Herron ..... A61G 5/14  
5/83.1  
2016/0354267 A1 \* 12/2016 Masaki ..... A61G 5/00

\* cited by examiner

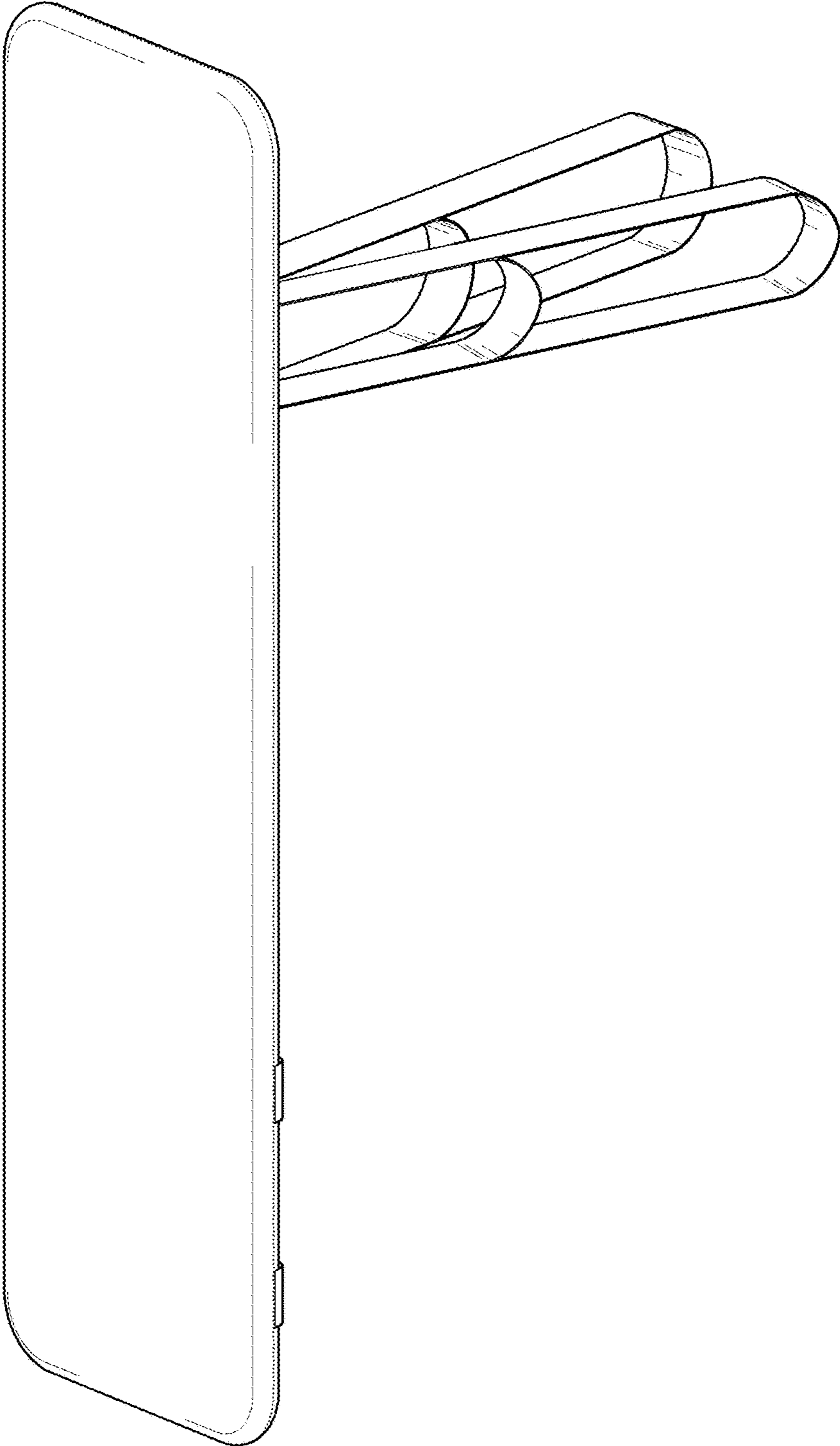


FIG. 1

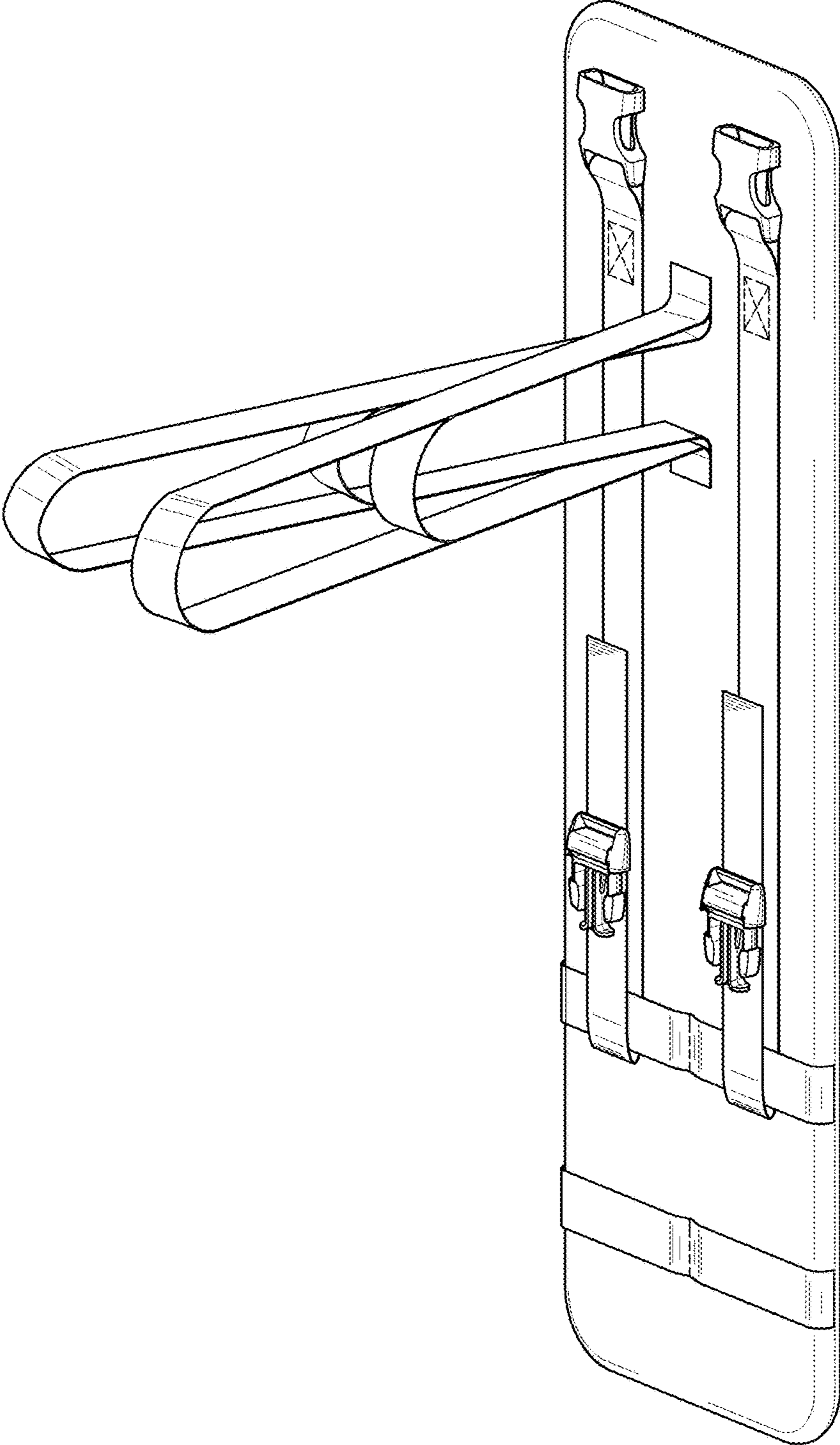


FIG. 2

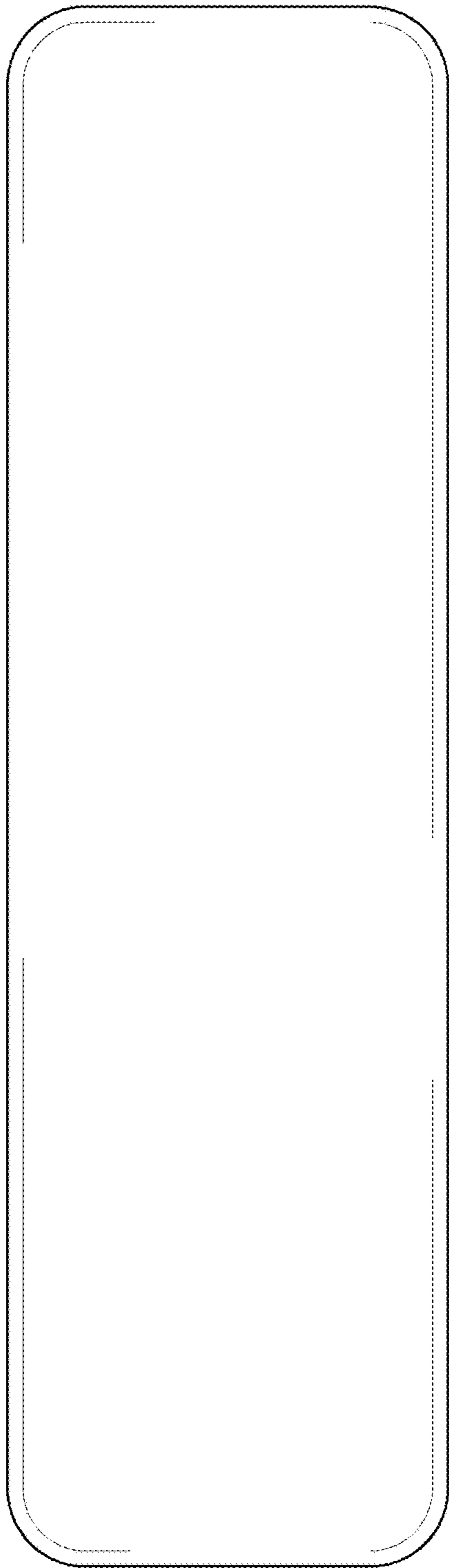


FIG. 3

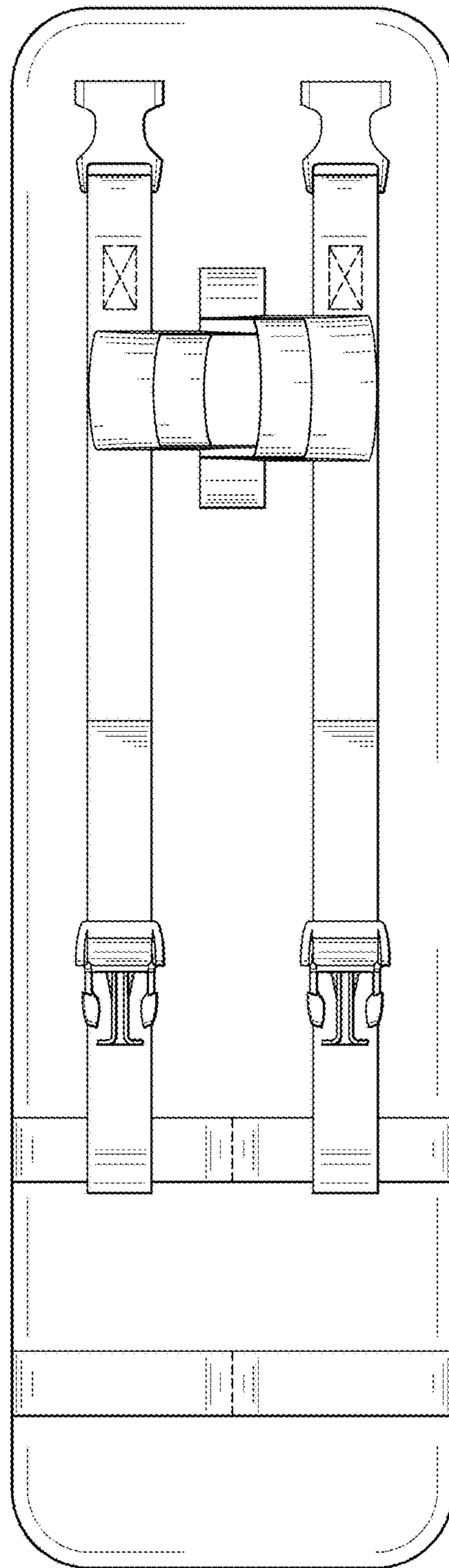
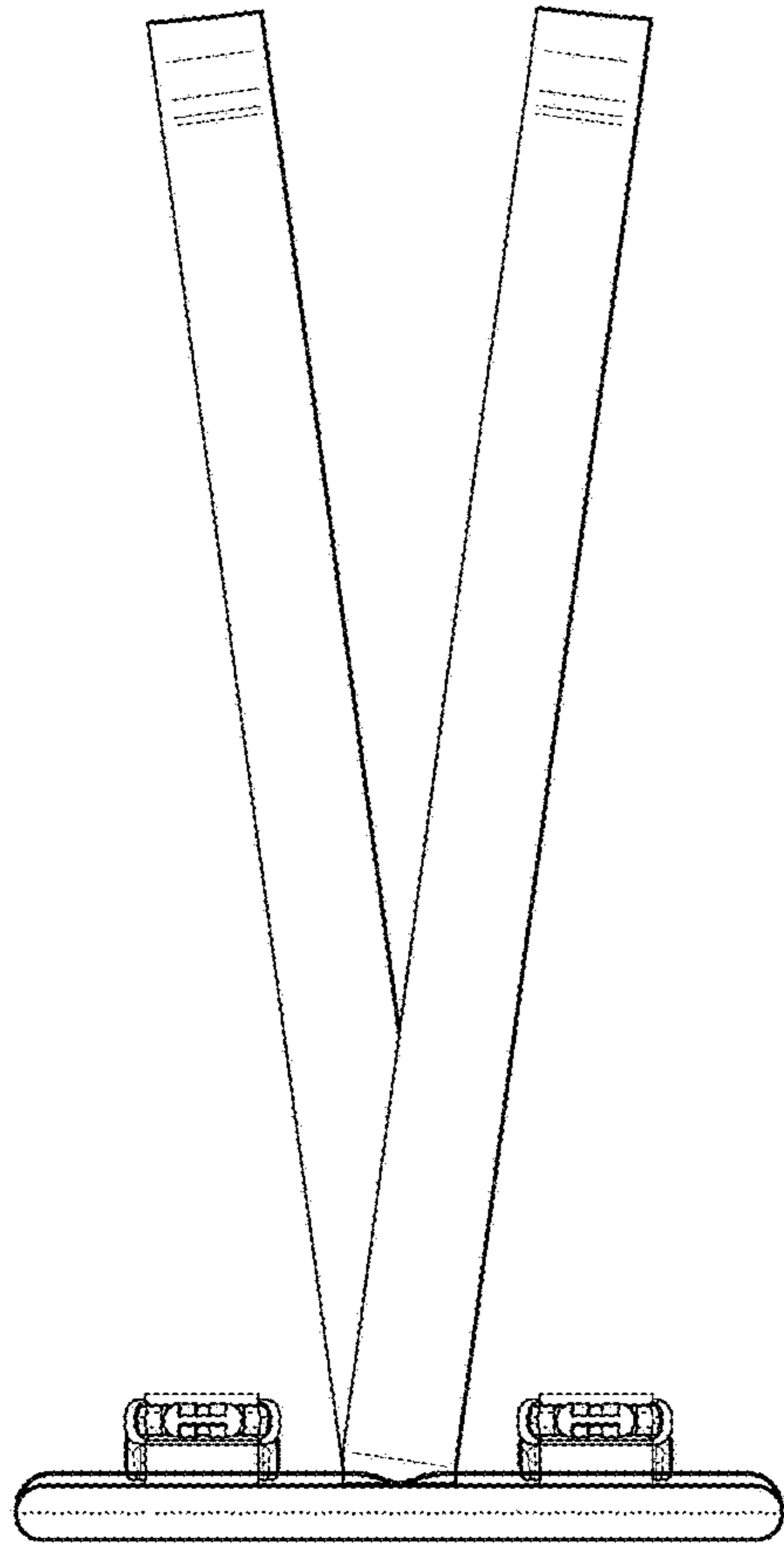
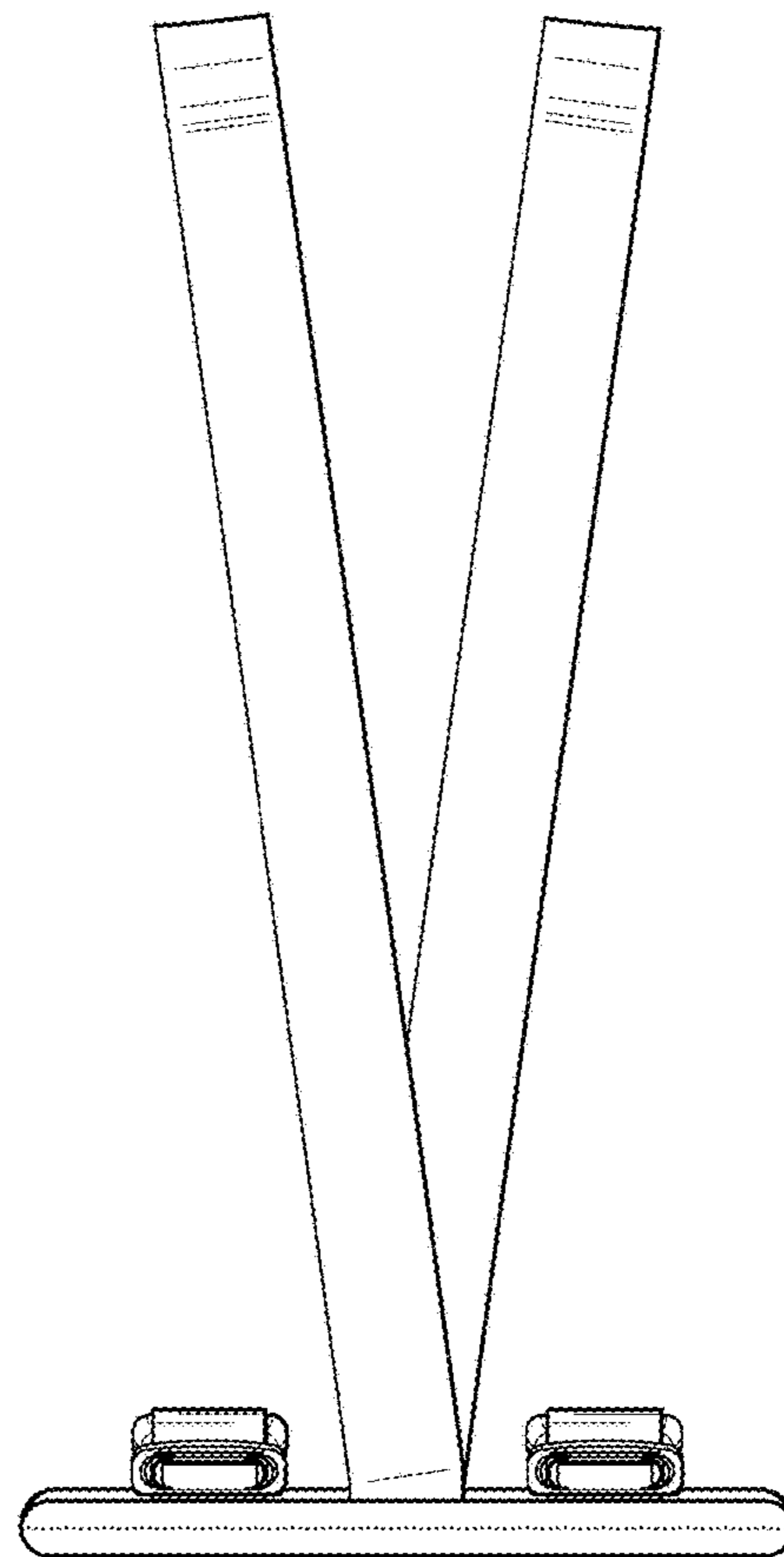


FIG. 4



**FIG. 5**



**FIG. 6**

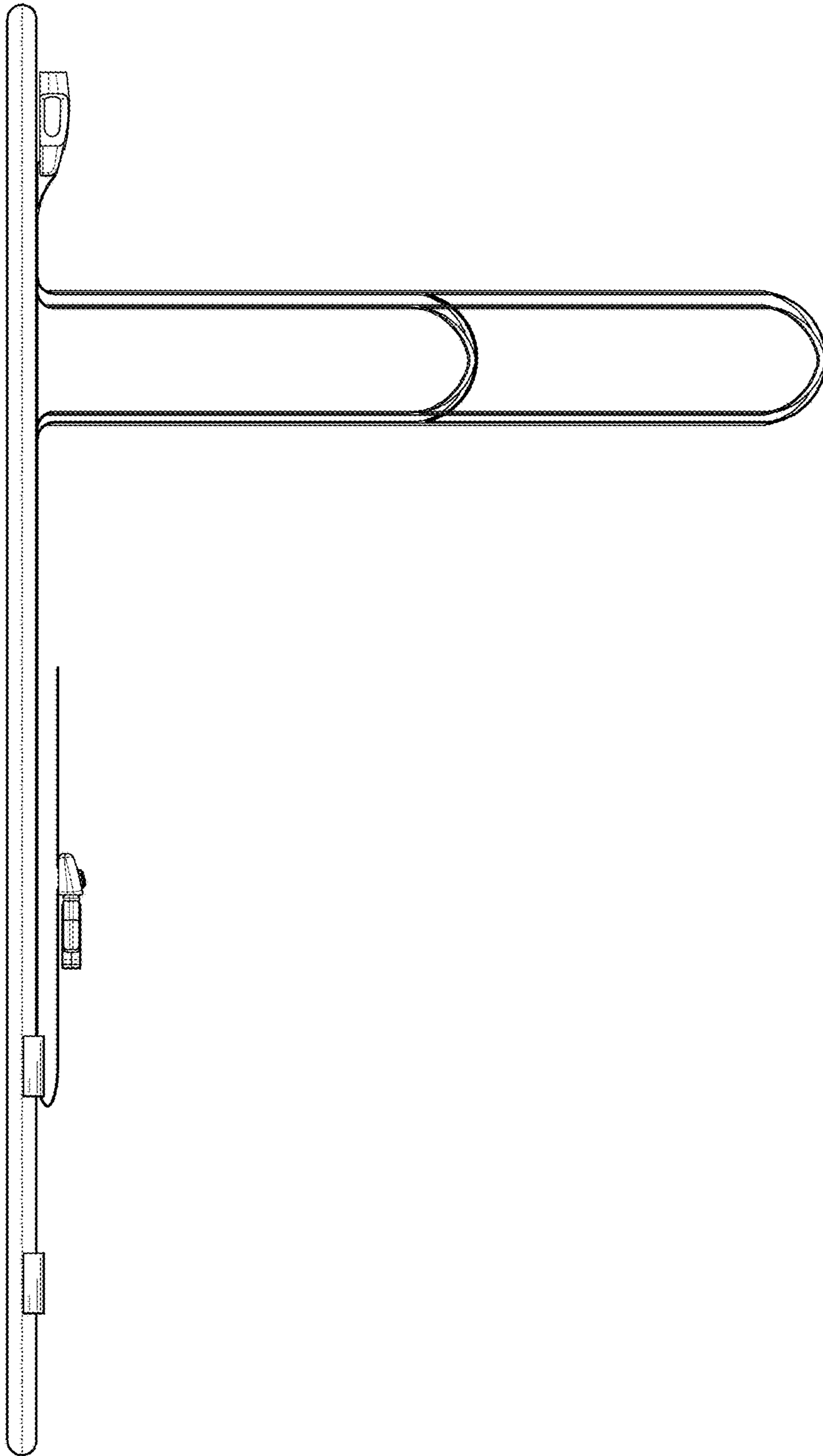


FIG. 7

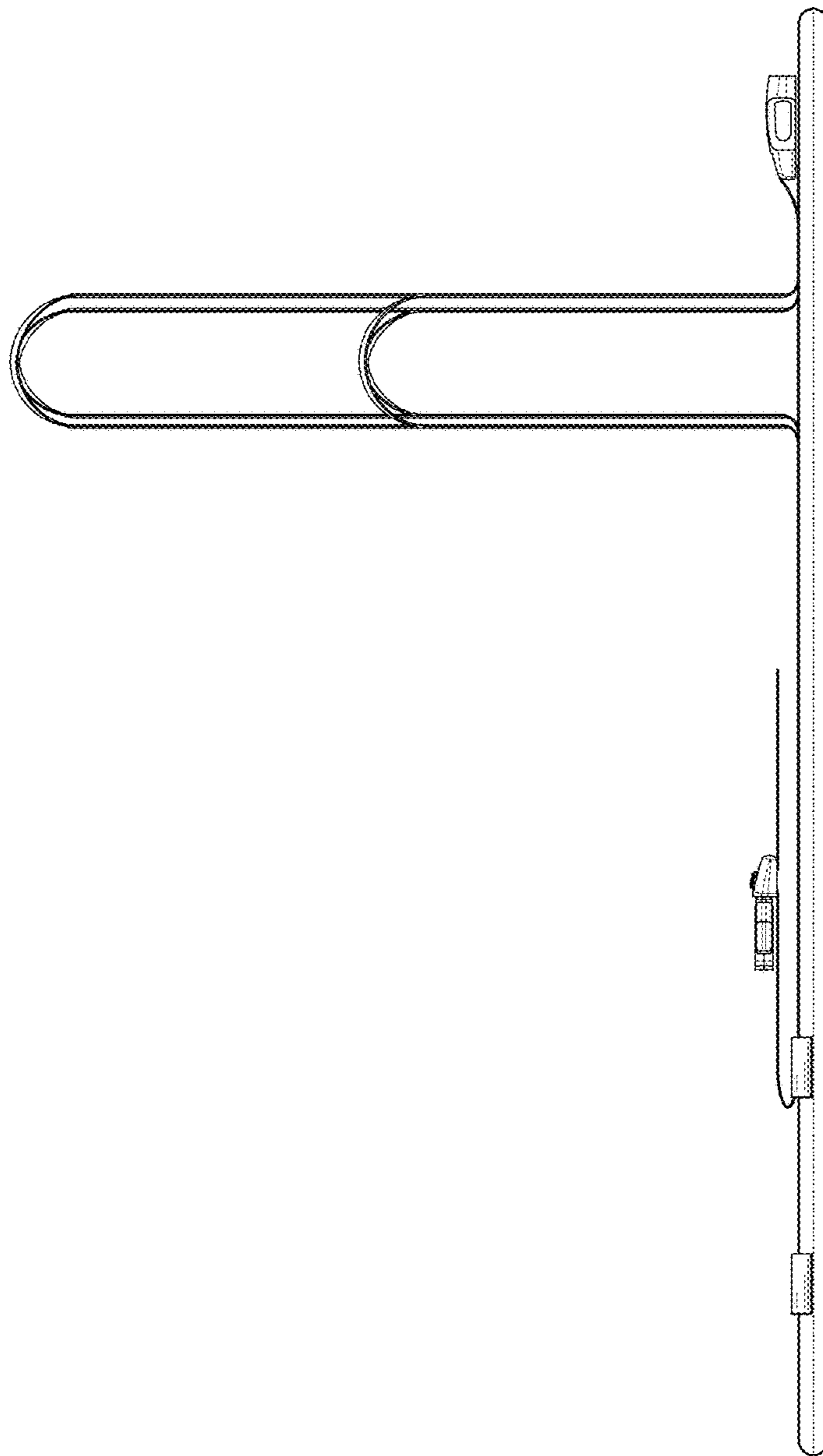


FIG. 8