



US00D802147S

(12) **United States Design Patent** (10) **Patent No.:** **US D802,147 S**  
**Konrad** (45) **Date of Patent:** **\*\* Nov. 7, 2017**

(54) **DENTAL BLANK HOLDER** 2009/0275000 A1\* 11/2009 Jung ..... A61C 13/0004  
433/223  
(71) Applicant: **Ivoclar Vivadent AG**, Schaan (LI) 2016/0158903 A1\* 6/2016 Konrad ..... A61C 13/0022  
269/309  
(72) Inventor: **Erich Konrad**, Feldkirch (AT) 2016/0193020 A1\* 7/2016 Fix ..... A61C 13/0022  
29/896.1

(73) Assignee: **IVOCLAR VIVADENT AG**, Schaan (LI) \* cited by examiner  
*Primary Examiner* — Wan Laymon  
(74) *Attorney, Agent, or Firm* — Hodgson Russ LLP

(\*\*) Term: **15 Years**

(21) Appl. No.: **29/581,497**

(22) Filed: **Oct. 19, 2016**

**Related U.S. Application Data**

(62) Division of application No. 29/519,833, filed on Mar. 9, 2015, now Pat. No. Des. 775,359.

(30) **Foreign Application Priority Data**

Dec. 4, 2014 (WO) ..... 857208301

(51) **LOC (10) Cl.** ..... **24-02**

(52) **U.S. Cl.**  
USPC ..... **D24/181**

(58) **Field of Classification Search**  
USPC ..... D24/152, 155-156, 176, 181  
CPC ..... B23Q 3/103; B23Q 3/104; B23Q 3/062;  
A61C 13/0022; A61C 13/00; A61C  
13/34; A61C 13/0009; A61C 13/0003;  
A61C 13/0019; A61C 13/12  
See application file for complete search history.

(56) **References Cited**

**U.S. PATENT DOCUMENTS**

D675,325 S \* 1/2013 Ganley ..... A61C 13/0022  
D24/181  
8,551,622 B2 \* 10/2013 Ganley ..... A61C 13/0022  
409/117

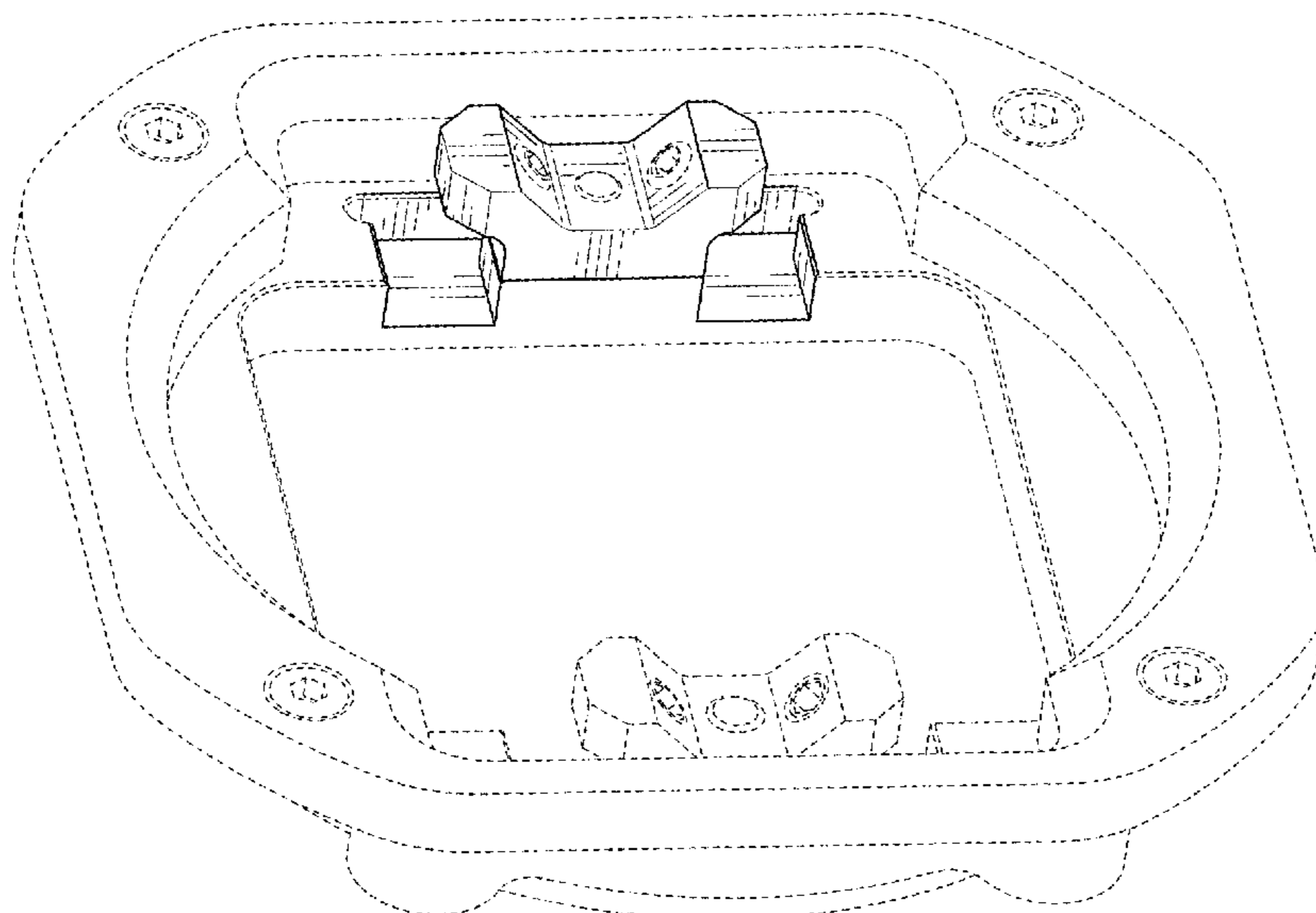
(57) **CLAIM**

The ornamental design for a dental blank holder, as shown and described.

**DESCRIPTION**

FIG. 1 is a perspective view of a dental blank holder showing my new design;  
FIG. 2 is a perspective view thereof showing the dental blank holder holding exemplary dental blanks;  
FIG. 3 is a front view thereof;  
FIG. 4 is a rear view thereof;  
FIG. 5 is a left side view thereof;  
FIG. 6 is a right side view thereof;  
FIG. 7 is a cross-sectional view taken along line 7-7 in FIG. 3;  
FIG. 8 is a top view thereof;  
FIG. 9 is a bottom view thereof; and,  
FIG. 10 is a cross-sectional view taken along line 10-10 in FIG. 3.  
The short dash broken lines illustrate unclaimed and environmental features that form no part of the claimed design. The long dash-short dash lines represent boundaries of the claimed design.

**1 Claim, 6 Drawing Sheets**



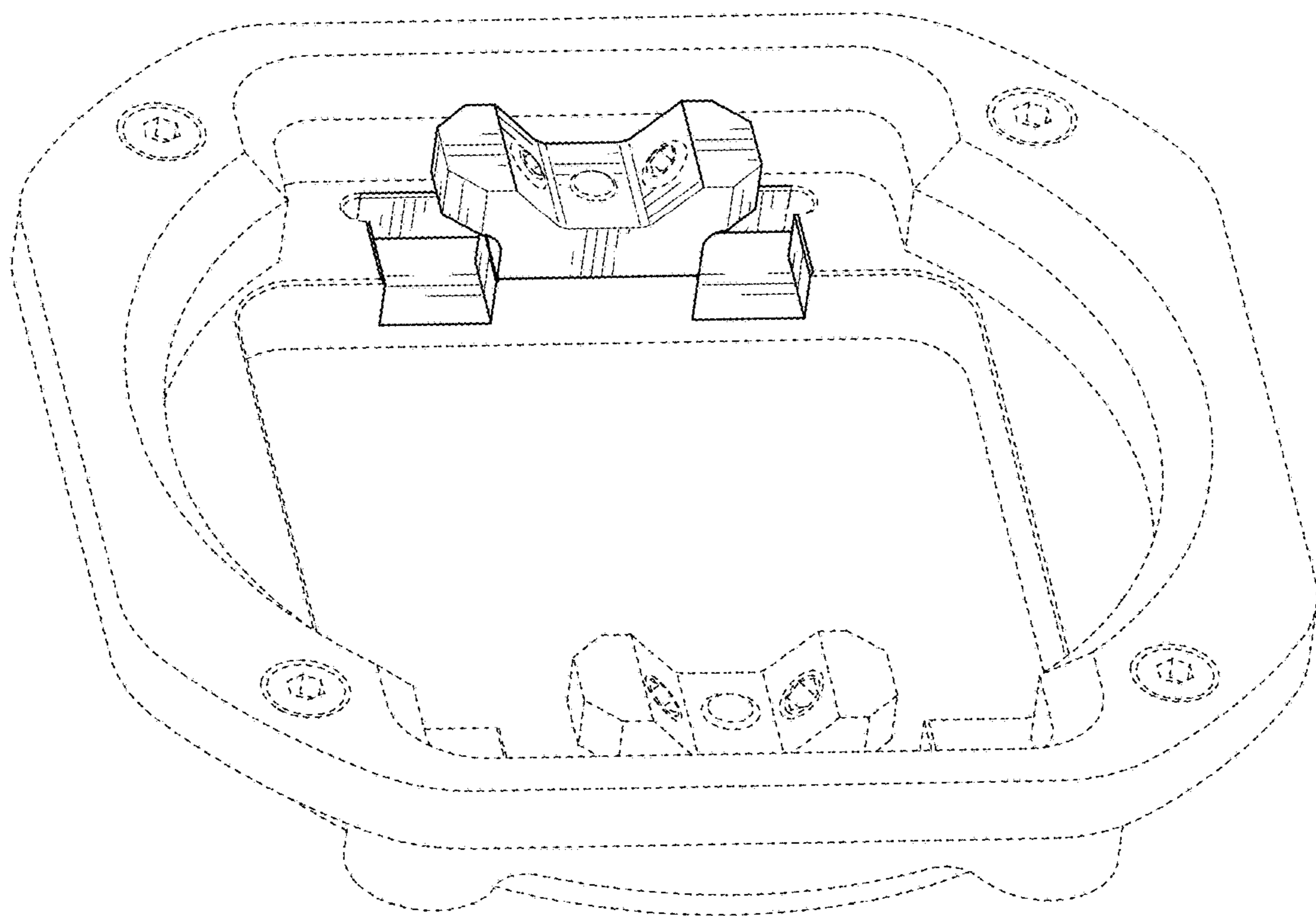


Fig. 1

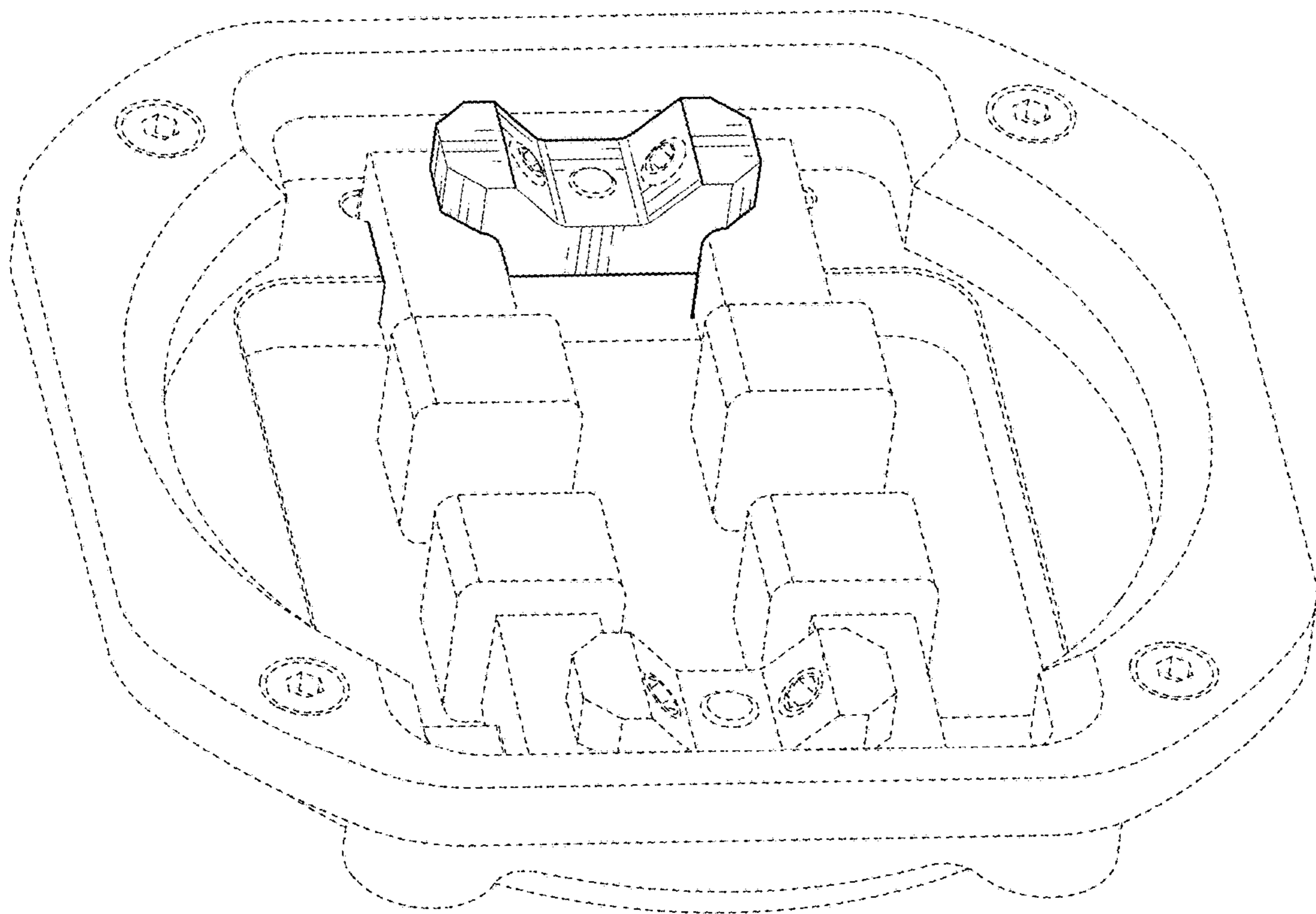


Fig. 2

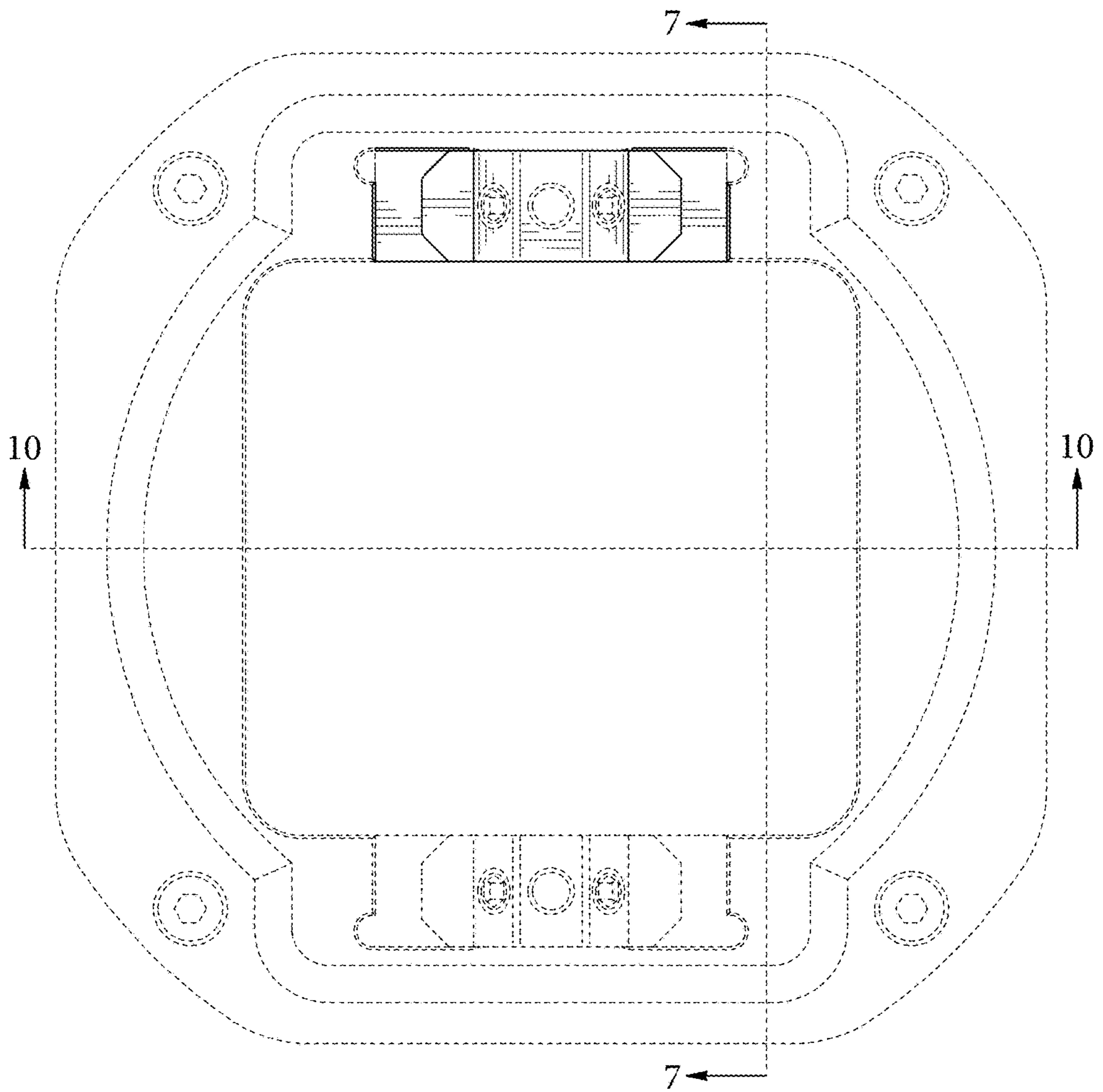
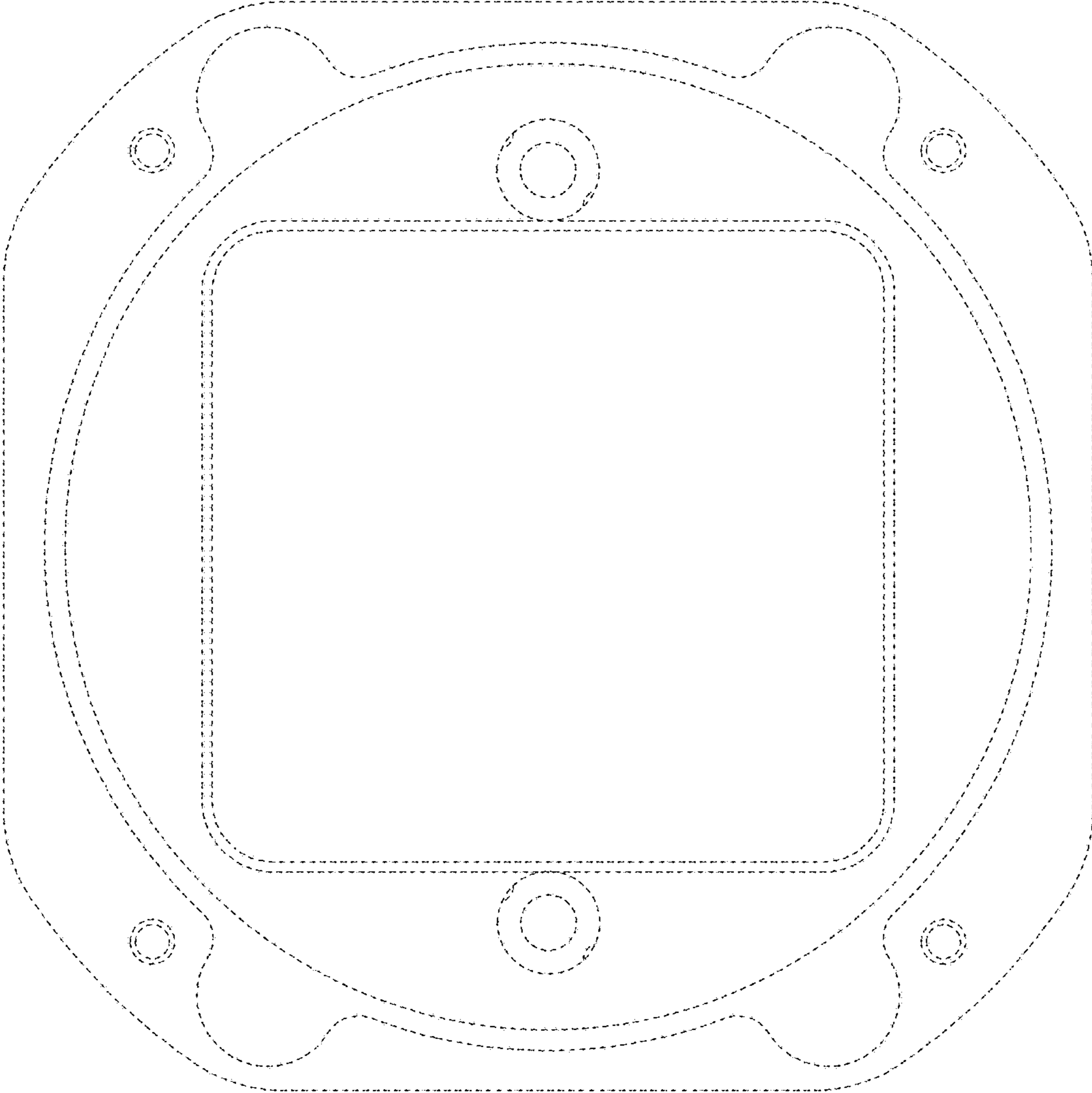


Fig. 3



**Fig. 4**



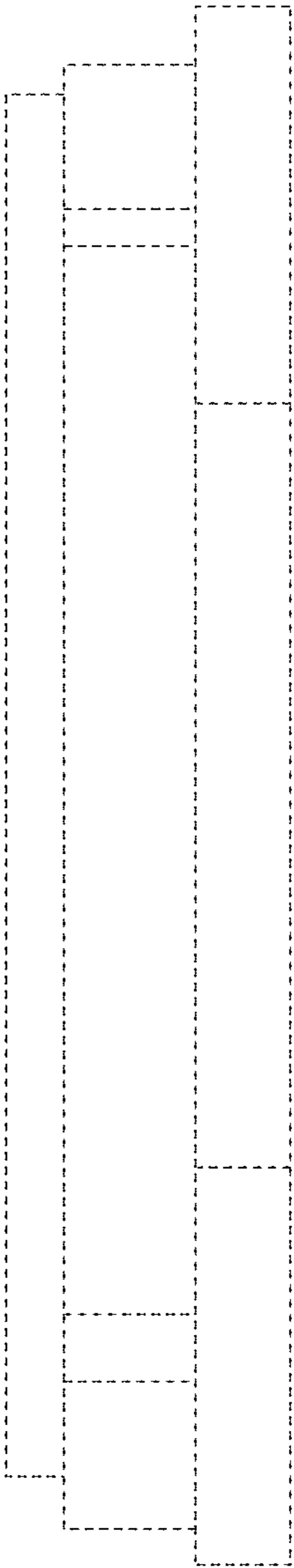


Fig. 5

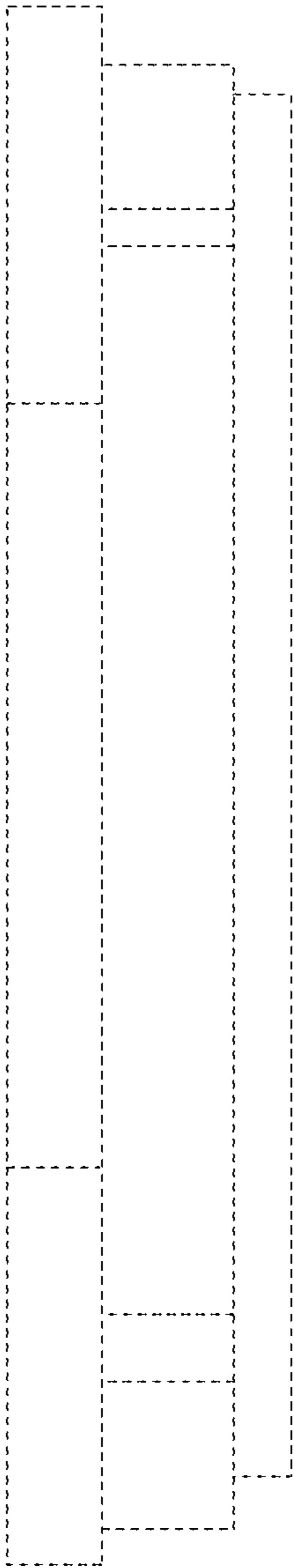


Fig. 6

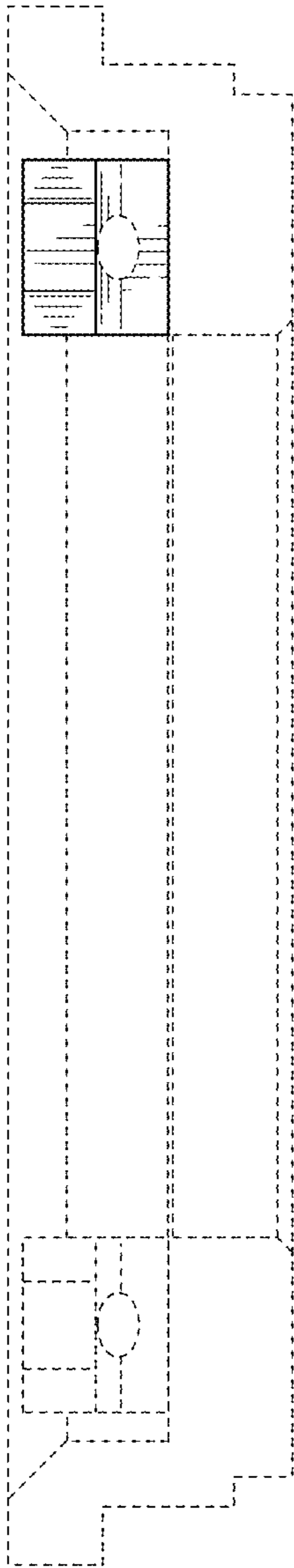
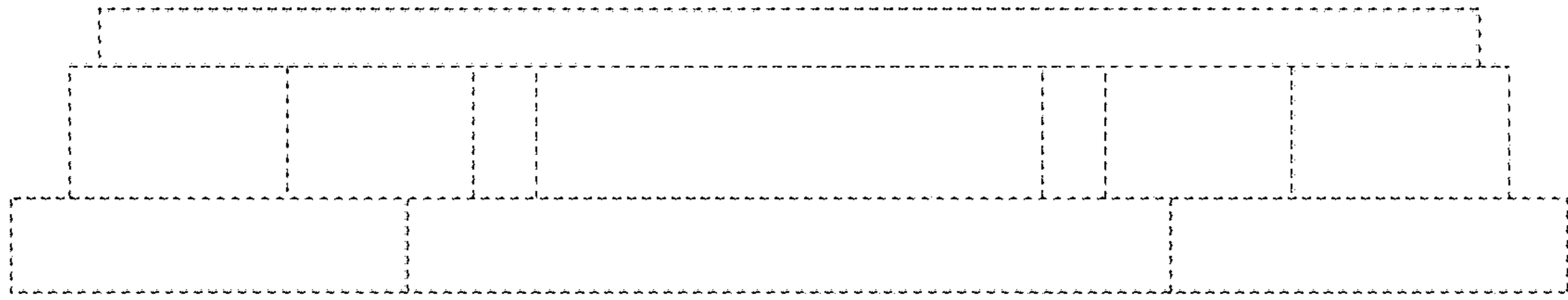
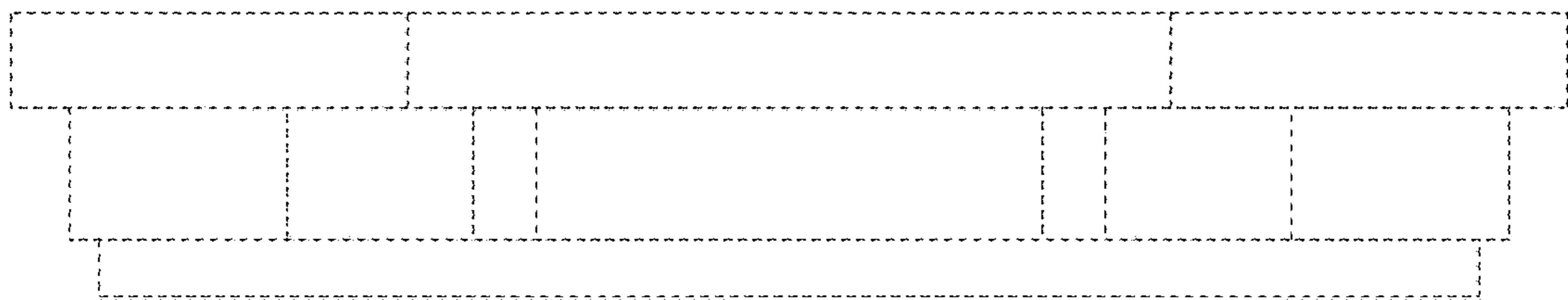


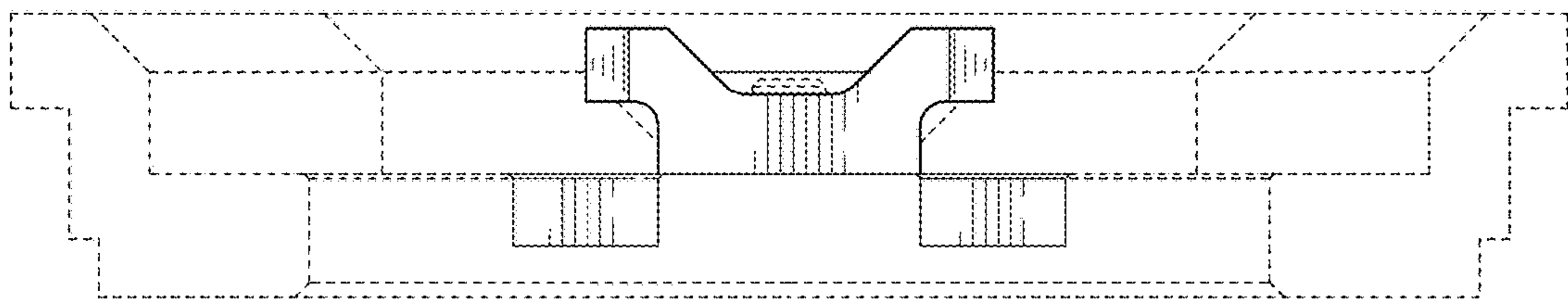
Fig. 7



**Fig. 8**



**Fig. 9**



**Fig. 10**