



US00D802145S

(12) **United States Design Patent**  
**Voudouris**

(10) **Patent No.:** **US D802,145 S**

(45) **Date of Patent:** **\*\* Nov. 7, 2017**

- (54) **ORTHODONTIC APPLIANCE**
- (71) Applicant: **Orthoarm, Inc.**, Toronto (CA)
- (72) Inventor: **John Voudouris**, Toronto (CA)
- (73) Assignee: **Orthoarm, Inc.**, Toronto, Ontario
- (\*\*) Term: **15 Years**
- (21) Appl. No.: **29/551,428**
- (22) Filed: **Jan. 13, 2016**

6,547,560	B1 *	4/2003	Vazquez	.....	A61C 7/36	433/19
6,832,911	B2 *	12/2004	Forster	.....	A61C 7/36	433/19
6,884,067	B2 *	4/2005	Tuneberg	.....	A61C 7/36	433/19
7,578,671	B2 *	8/2009	Corcoran	.....	A61C 7/36	433/179
7,578,672	B2 *	8/2009	Sheikh	.....	A61C 7/36	433/19
8,348,664	B2 *	1/2013	Sheikh	.....	A61C 7/36	433/18
8,875,713	B2 *	11/2014	Metz	.....	A61F 5/566	128/848
D739,028	S *	9/2015	Stein	.....	D24/180	
9,237,941	B2 *	1/2016	Hayes	.....	A61C 7/36	
D777,930	S *	1/2017	Raad	.....	D24/180	
2006/0172251	A1 *	8/2006	Voudouris	.....	A61C 7/36	433/18

**Related U.S. Application Data**

- (62) Division of application No. 29/506,898, filed on Oct. 21, 2014, now Pat. No. Des. 751,208.
- (51) **LOC (10) Cl.** ..... **24-01**
- (52) **U.S. Cl.**  
USPC ..... **D24/180**
- (58) **Field of Classification Search**  
USPC ..... D24/176-182, 152, 156  
CPC ... A61F 5/566; A61F 5/56; A61C 7/36; A61C 7/12; A61C 7/10; A61C 7/08; A61C 7/22; A61C 7/282; A61C 5/14  
See application file for complete search history.

(Continued)

*Primary Examiner* — Wan Laymon

(74) *Attorney, Agent, or Firm* — McMillan LLP

(57) **CLAIM**

An ornamental design for an orthodontic appliance, as shown and described.

**DESCRIPTION**

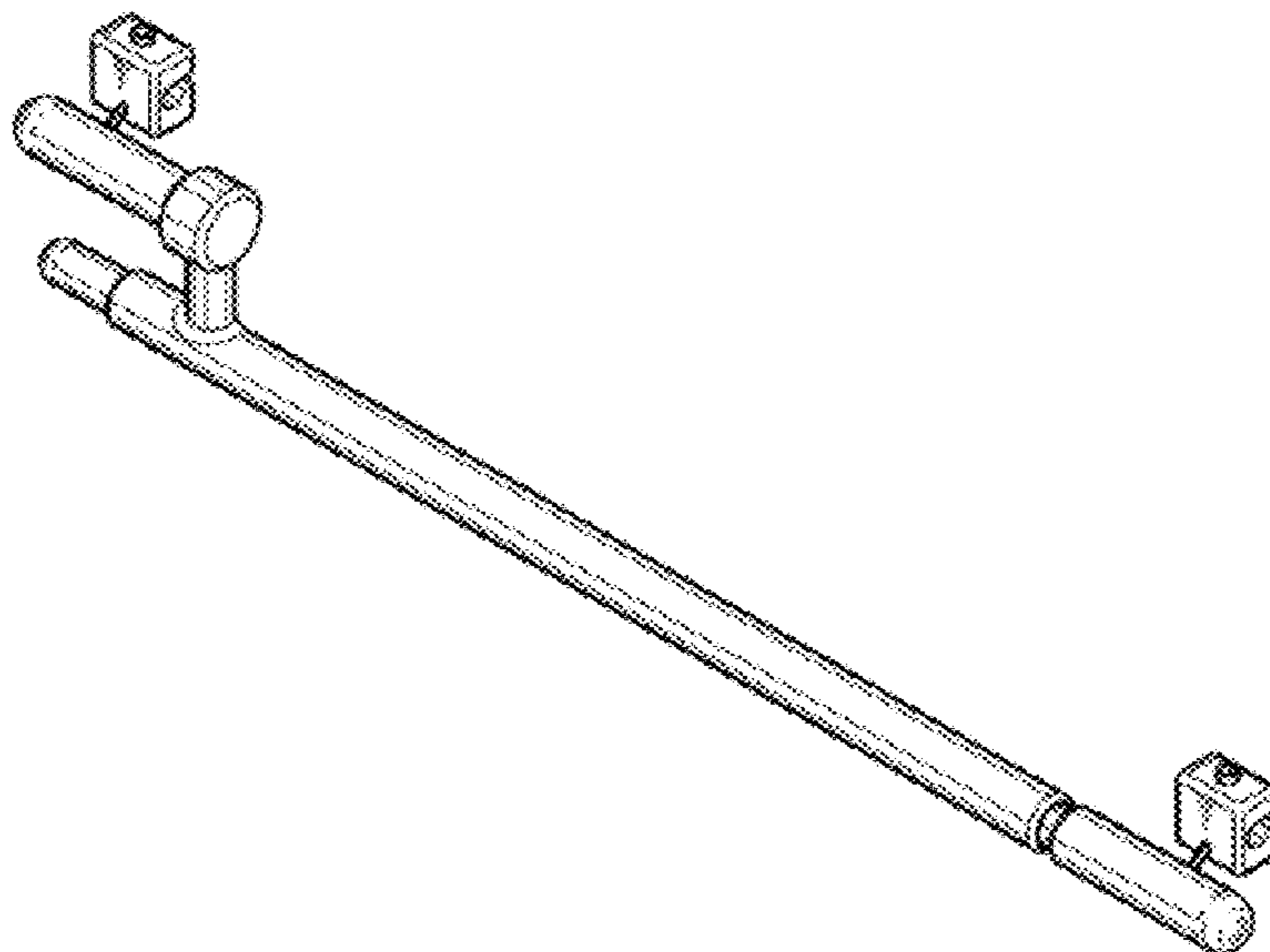
FIG. 1 is a lower front perspective view of the orthodontic appliance shown as used in its environment; FIG. 2 is a top perspective view of the design of FIG. 1; FIG. 3 is a front view of the design of FIG. 1; FIG. 4 is a right side view of the design of FIG. 1; FIG. 5 is a top view of the design of FIG. 1; FIG. 6 is a rear view of the design of FIG. 1; FIG. 7 is a left side view of the design of FIG. 1; and, FIG. 8 is a bottom view of the design of FIG. 1. The broken lines shown in the figures represent portions of the orthodontic appliance that form no part of the claimed design.

**1 Claim, 4 Drawing Sheets**

(56) **References Cited**

**U.S. PATENT DOCUMENTS**

4,462,800	A *	7/1984	Jones	.....	A61C 7/36	433/19
4,708,646	A *	11/1987	Jasper	.....	A61C 7/36	433/19
6,012,920	A *	1/2000	Woo	.....	A61C 7/10	433/19
6,328,562	B1 *	12/2001	Sirney	.....	A61C 7/36	433/19
6,358,046	B1 *	3/2002	Brehm	.....	A61C 7/36	433/19



(56)

**References Cited**

U.S. PATENT DOCUMENTS

2013/0101952 A1\* 4/2013 Sheikh ..... A61C 7/36  
433/19  
2014/0057222 A1\* 2/2014 Kumar ..... A61C 7/36  
433/19  
2015/0101614 A1\* 4/2015 Quaka ..... A61C 7/36  
128/848  
2016/0220331 A1\* 8/2016 Johnston ..... A61C 7/36

\* cited by examiner

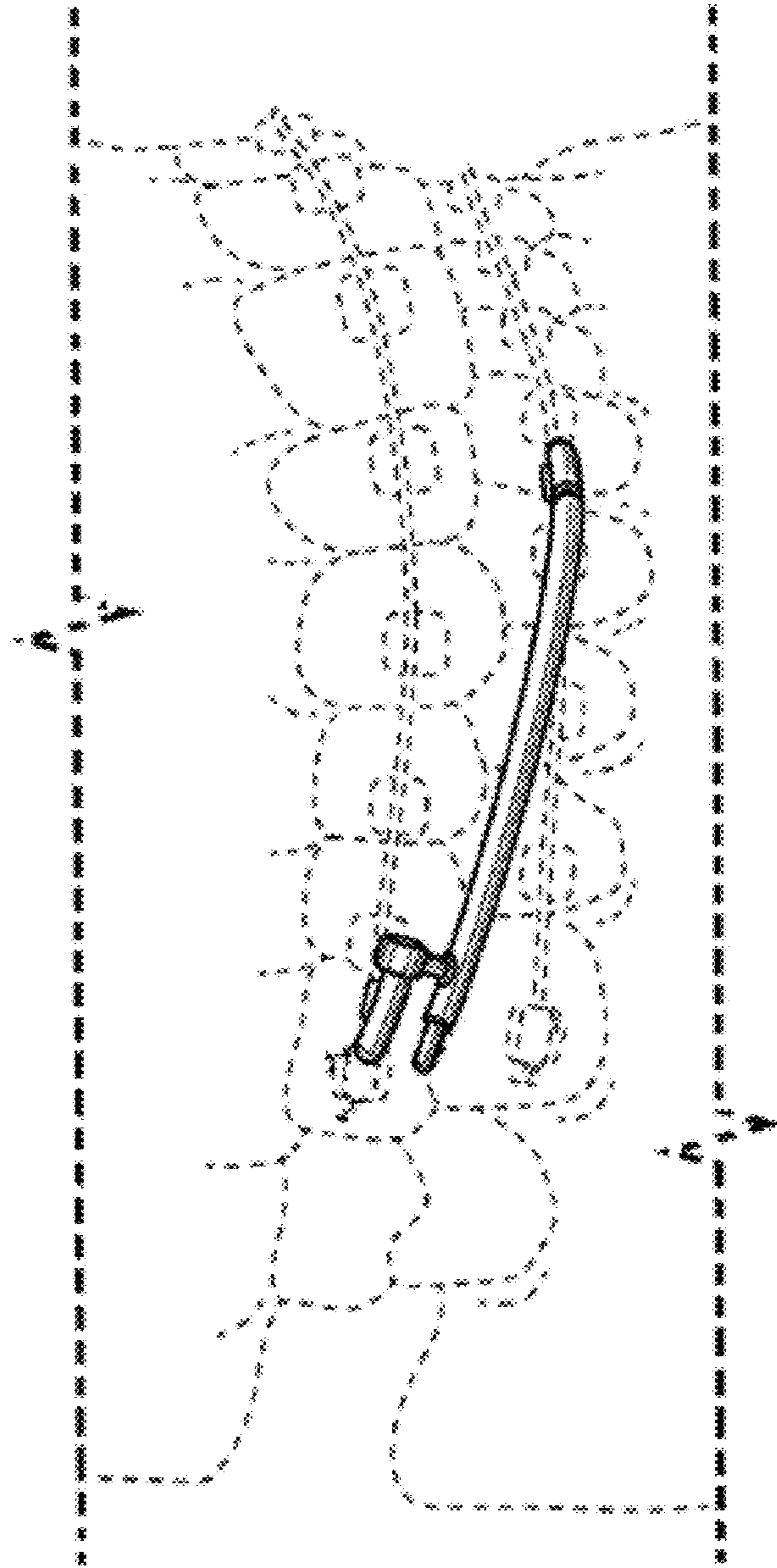


FIG. 1

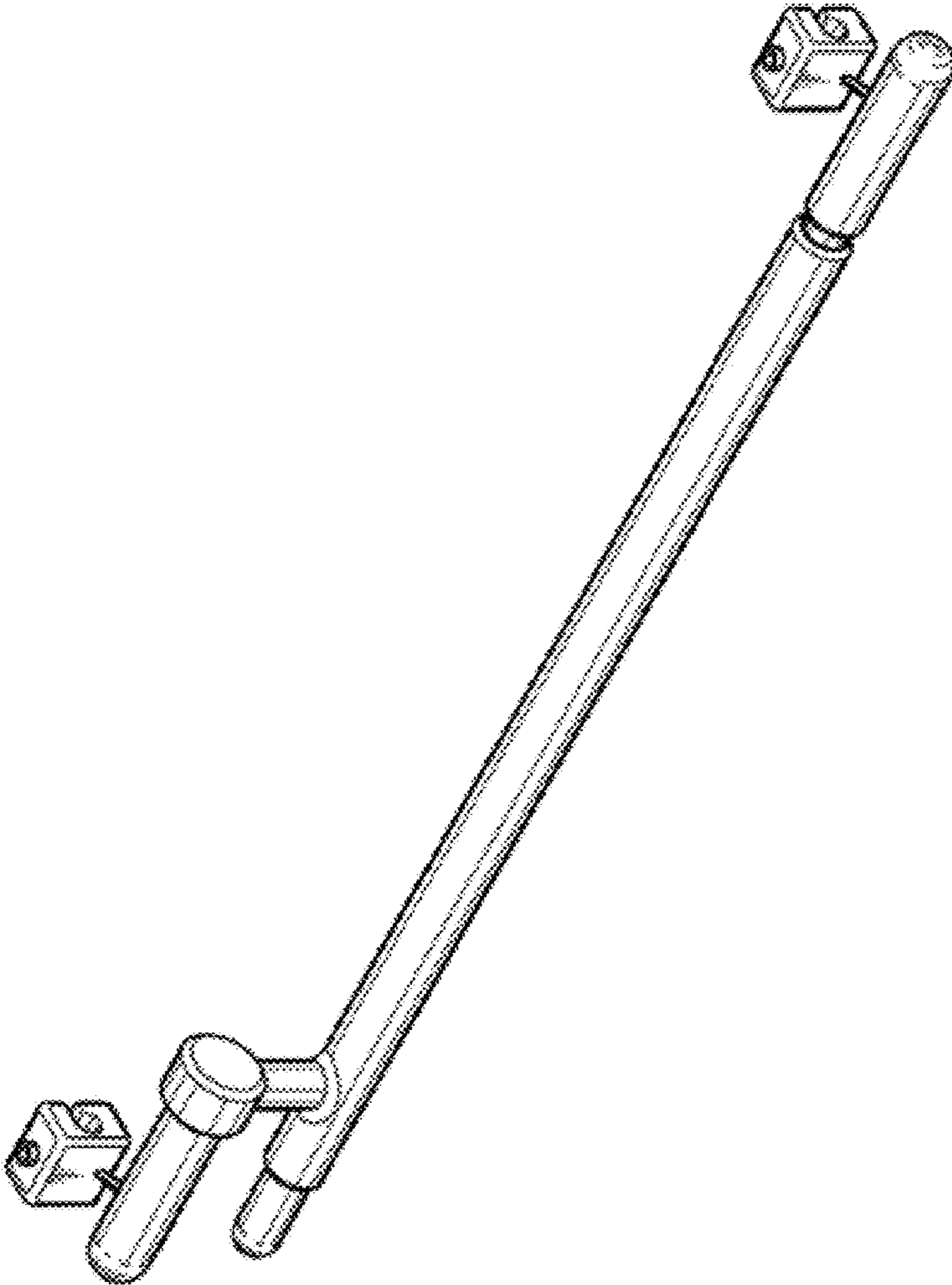


FIG. 2

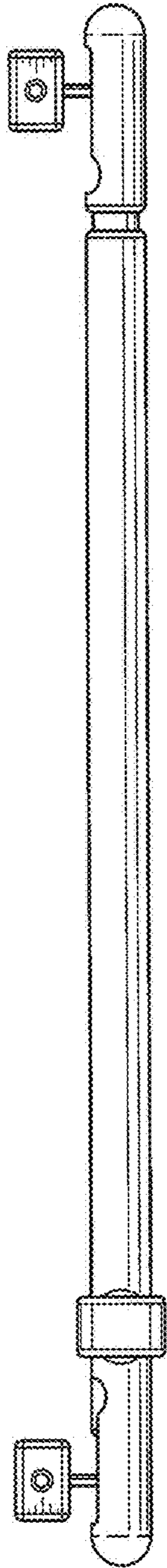


FIG. 5

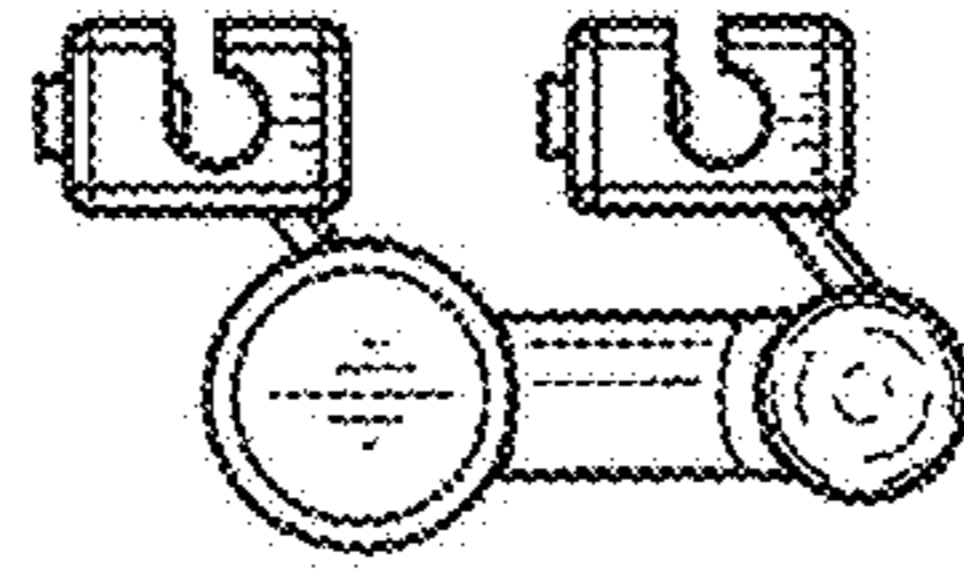


FIG. 4

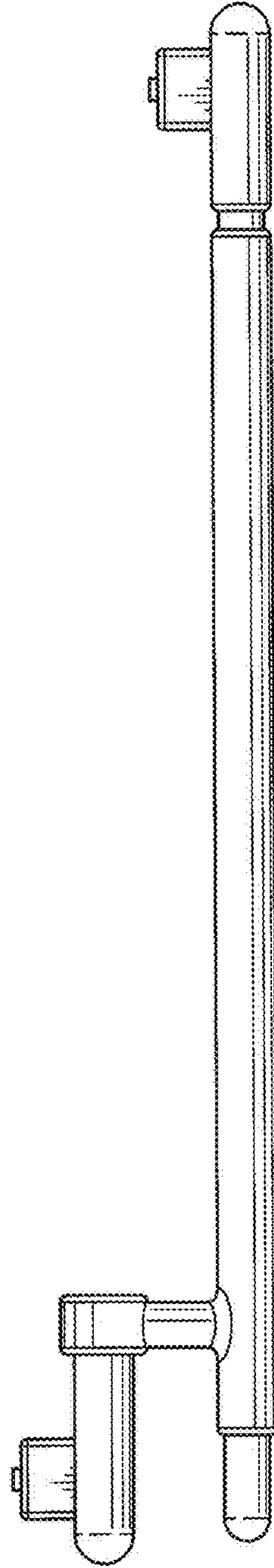


FIG. 3

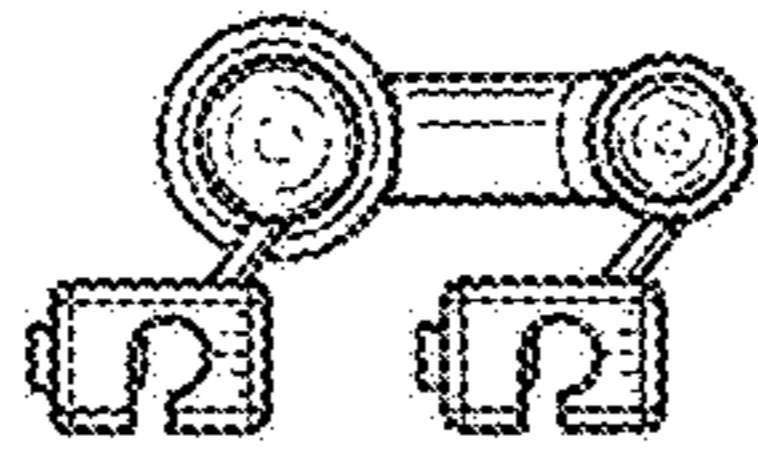


FIG. 7

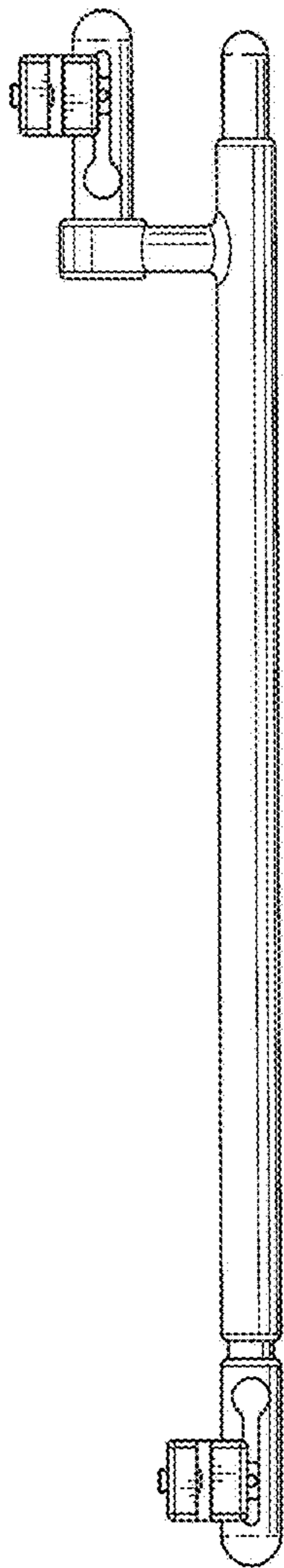


FIG. 6

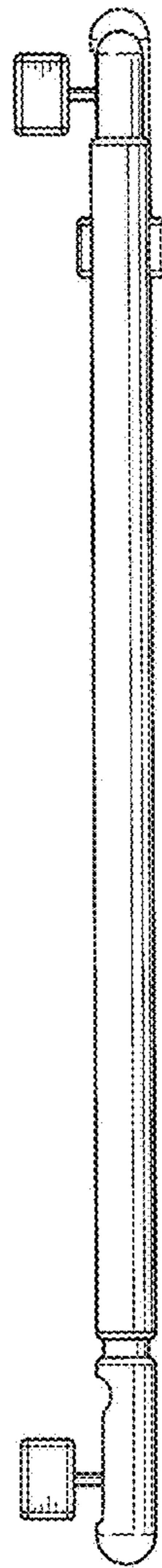


FIG. 8