



US00D802142S

(12) **United States Design Patent** (10) **Patent No.:** **US D802,142 S**  
**Rezzonico et al.** (45) **Date of Patent:** **\*\* Nov. 7, 2017**

(54) **DIALYSIS APPARATUS**

A61M 2205/502; A61M 2205/505; A16B 50/10; A16B 50/13; A16B 50/15

(71) Applicant: **Fresenius Medical Care Deutschland GmbH**, Bad Homburg (DE)

See application file for complete search history.

(72) Inventors: **Fabio Rezzonico**, Como (IT); **Sabine Kipp**, Bad Homburg (DE); **Thomas Pusinelli**, Altenstadt (DE); **Josef Beden**, Mainz-Kastel (DE); **Martin Herklotz**, Heusenstamm (DE); **Goekhan Oerter**, Wellmuenster (DE); **Stefan Oesterreich**, Neu-Anspach (DE); **Nicolas Beisser**, Hanau (DE); **Andre Eicker**, Bad Homburg (DE); **Juergen Klewinghaus**, Oberursel (DE); **Georg Verch**, Wiesbaden (DE); **Christine Nachbaur-Sturm**, Eitorf (DE)

(56) **References Cited**

U.S. PATENT DOCUMENTS

D389,916	S	*	1/1998	DiPerna	.....	D24/169
D406,894	S	*	3/1999	Menhennett	.....	D24/169
D446,861	S	*	8/2001	Meziere	.....	D24/169
D540,948	S	*	4/2007	Meziere	.....	D24/169
D619,241	S	*	7/2010	Olsson	.....	D24/169
D694,396	S	*	11/2013	Belt	.....	D24/108
D746,988	S	*	1/2016	Gray	.....	D24/169
D751,207	S	*	3/2016	O'Mahony	.....	D24/169
2004/0064080	A1	*	4/2004	Cruz	.....	A61M 1/16 604/5.04

\* cited by examiner

*Primary Examiner* — Anhdao Doan

(73) Assignee: **FRESENIUS MEDICAL CARE DEUTSCHLAND GMBH**, Bad Homburg (DE)

(74) *Attorney, Agent, or Firm* — Jacobson Holman, PLLC

(\*\*) Term: **15 Years**

(57) **CLAIM**

(21) Appl. No.: **29/533,081**

We claim the ornamental design for a dialysis apparatus, as shown and described.

(22) Filed: **Jul. 14, 2015**

**DESCRIPTION**

(30) **Foreign Application Priority Data**

Feb. 11, 2015 (EM) ..... 2 631 341

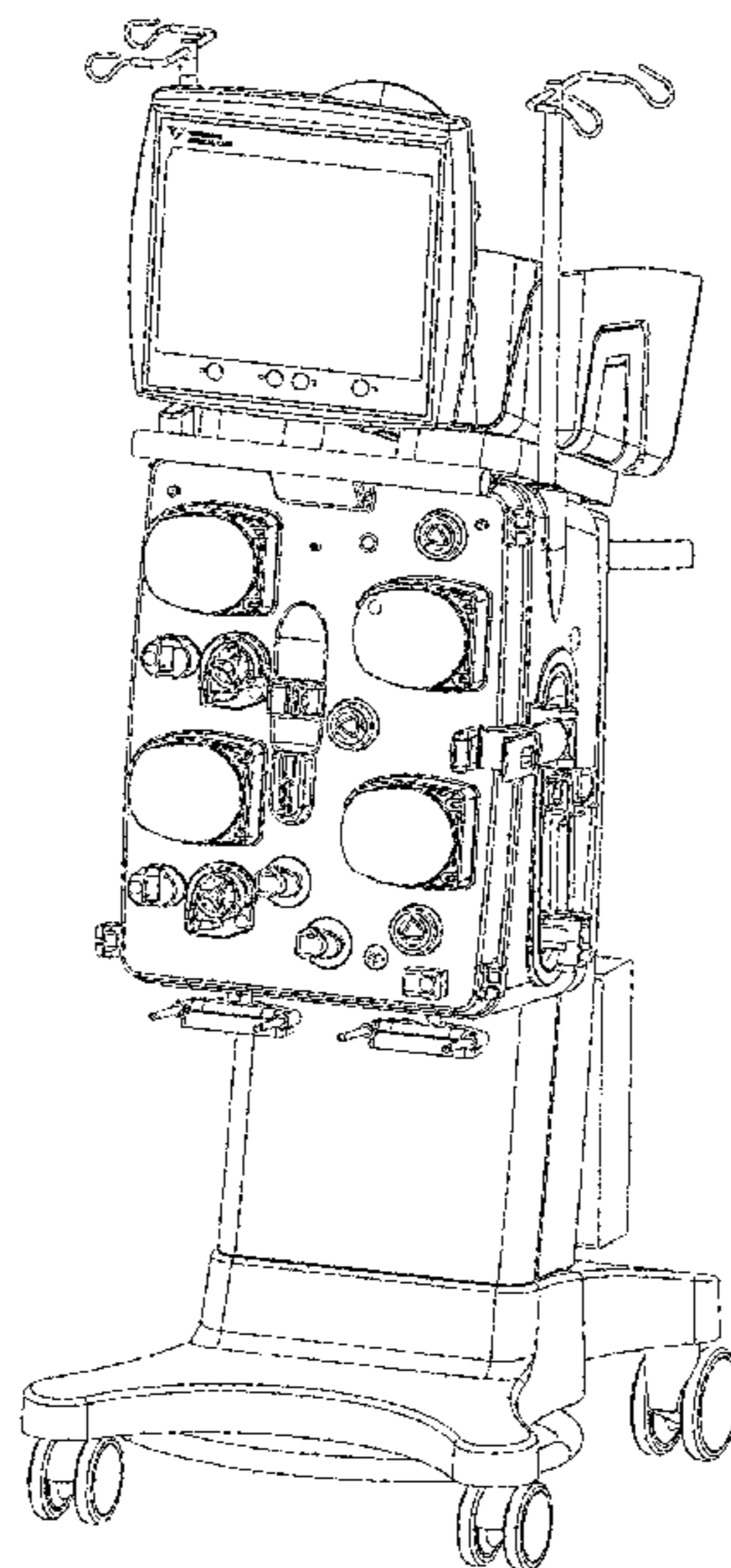
(51) **LOC (10) Cl.** ..... **24-01**

(52) **U.S. Cl.**  
USPC ..... **D24/169**

(58) **Field of Classification Search**  
USPC ..... D24/107, 108, 111, 169, 185, 186  
CPC .... A61M 1/16; A61M 1/1601; A61M 1/1621;  
A61M 1/1654; A61M 1/36; A61M 1/3693; A61M 1/3696; A61M 2209/084;

FIG. 1 is a right front perspective of a dialysis apparatus; FIG. 2 is a front elevational view thereof; FIG. 3 is a right side elevational view thereof; FIG. 4 is a left side elevational view thereof; FIG. 5 is a rear elevational view of thereof; FIG. 6 is an enlarged top plan view thereof; and, FIG. 7 is an enlarged bottom view thereof. The broken lines in FIGS. 3, 4, 5 and 7 illustrate portions of a dialysis apparatus that form no part of the claimed design.

**1 Claim, 7 Drawing Sheets**



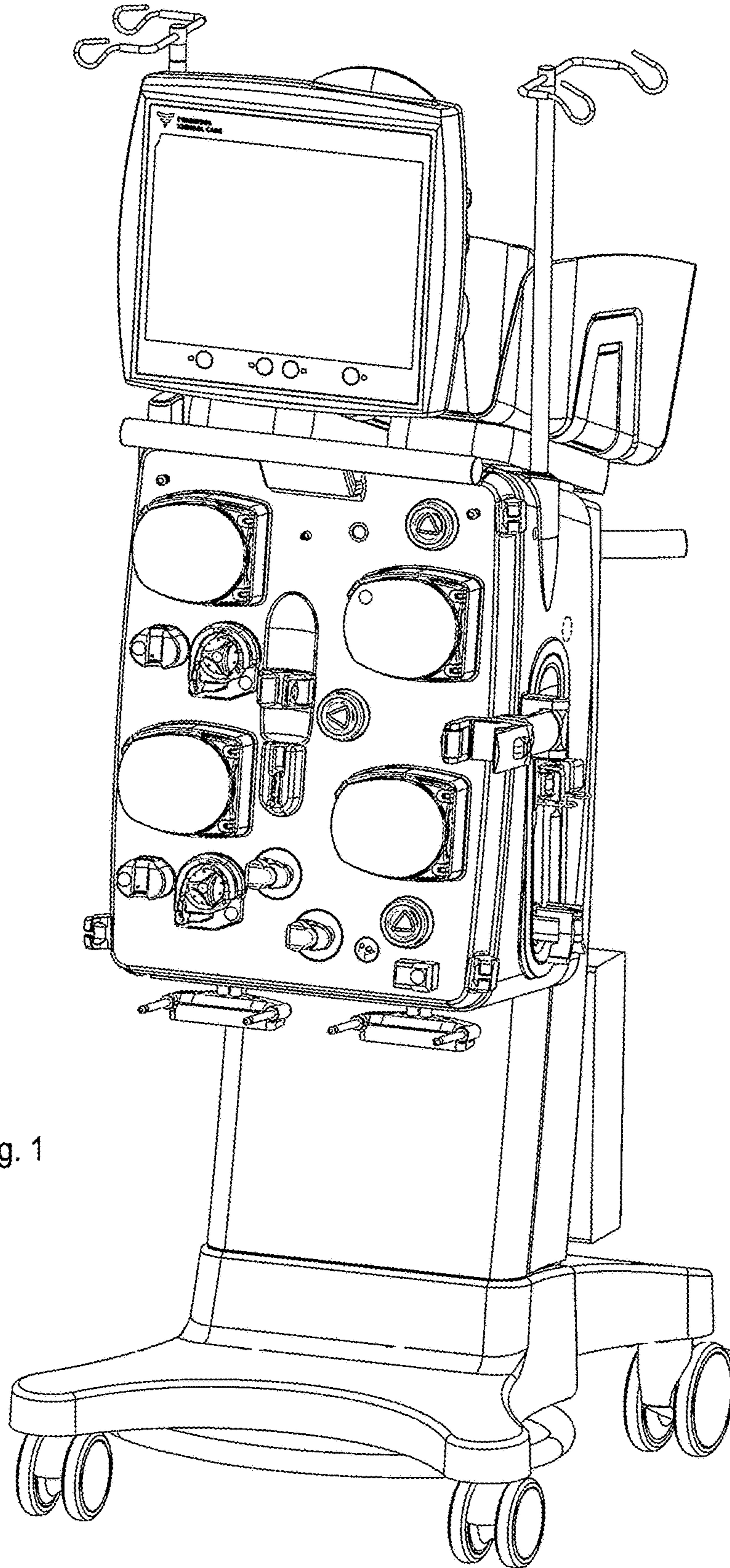


Fig. 1

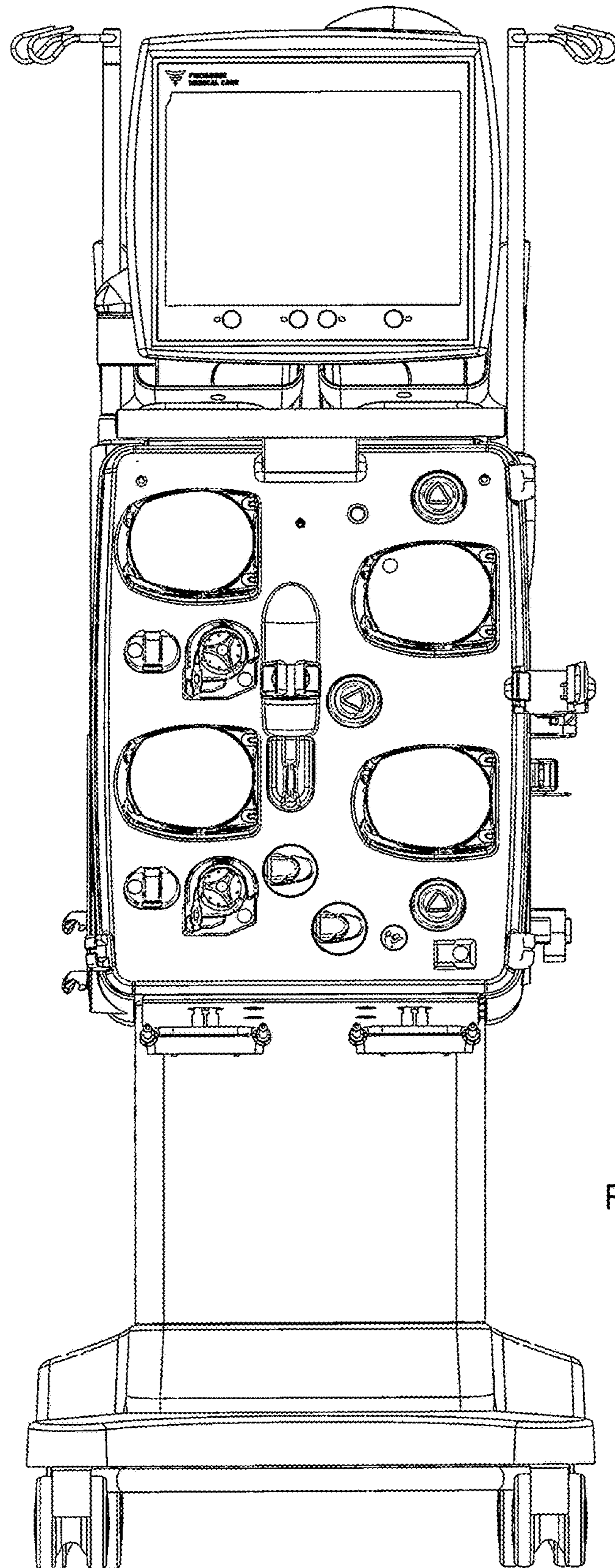


Fig. 2

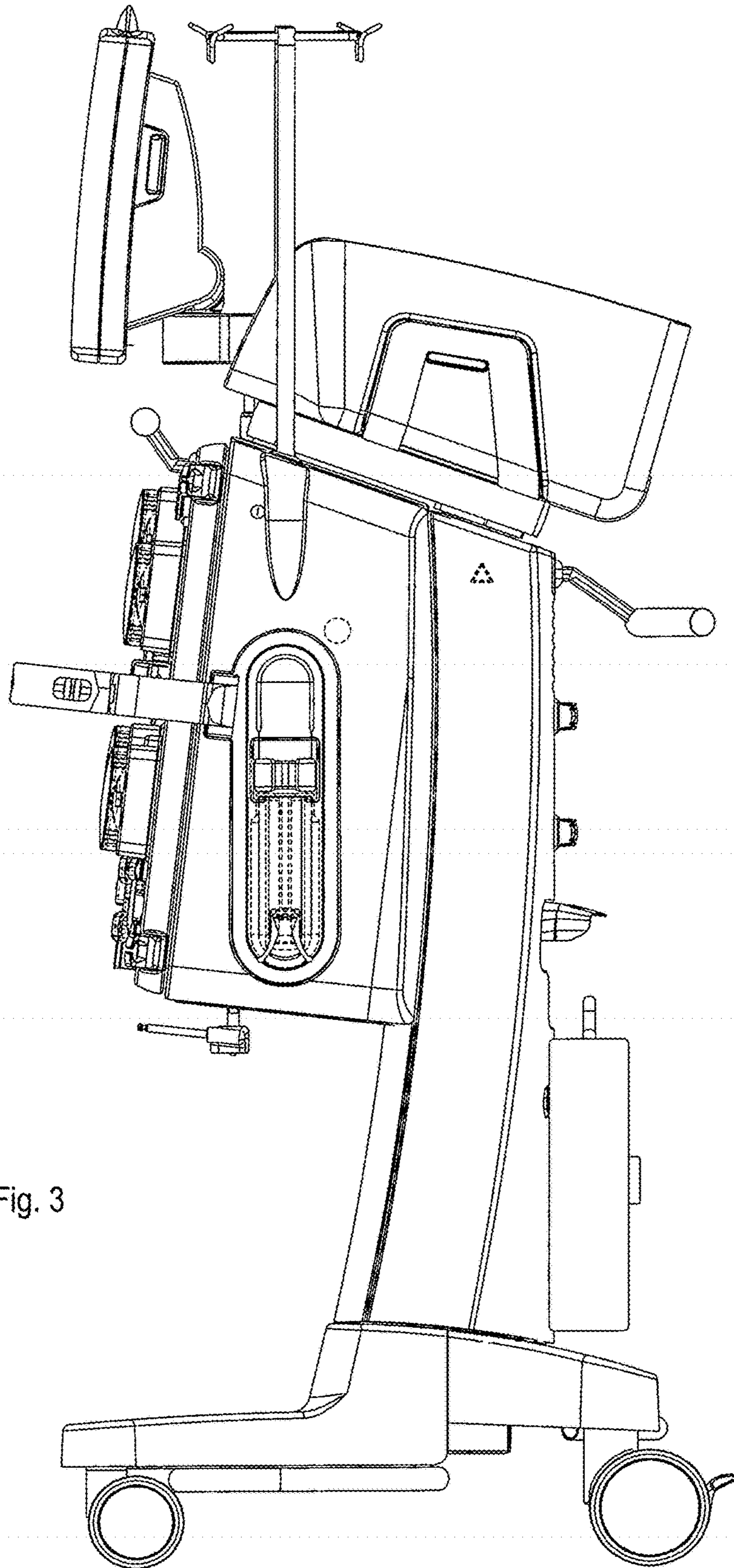


Fig. 3

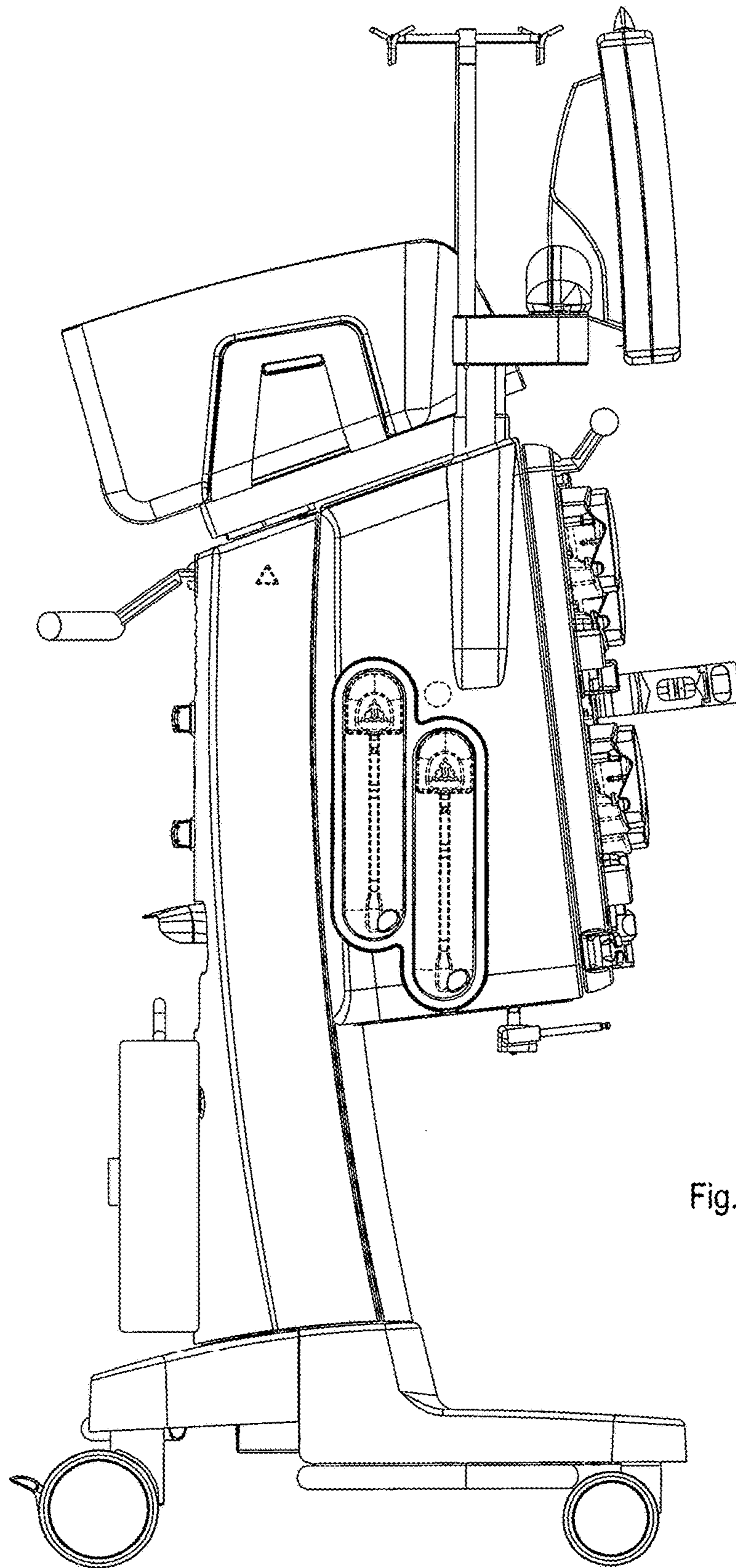


Fig. 4

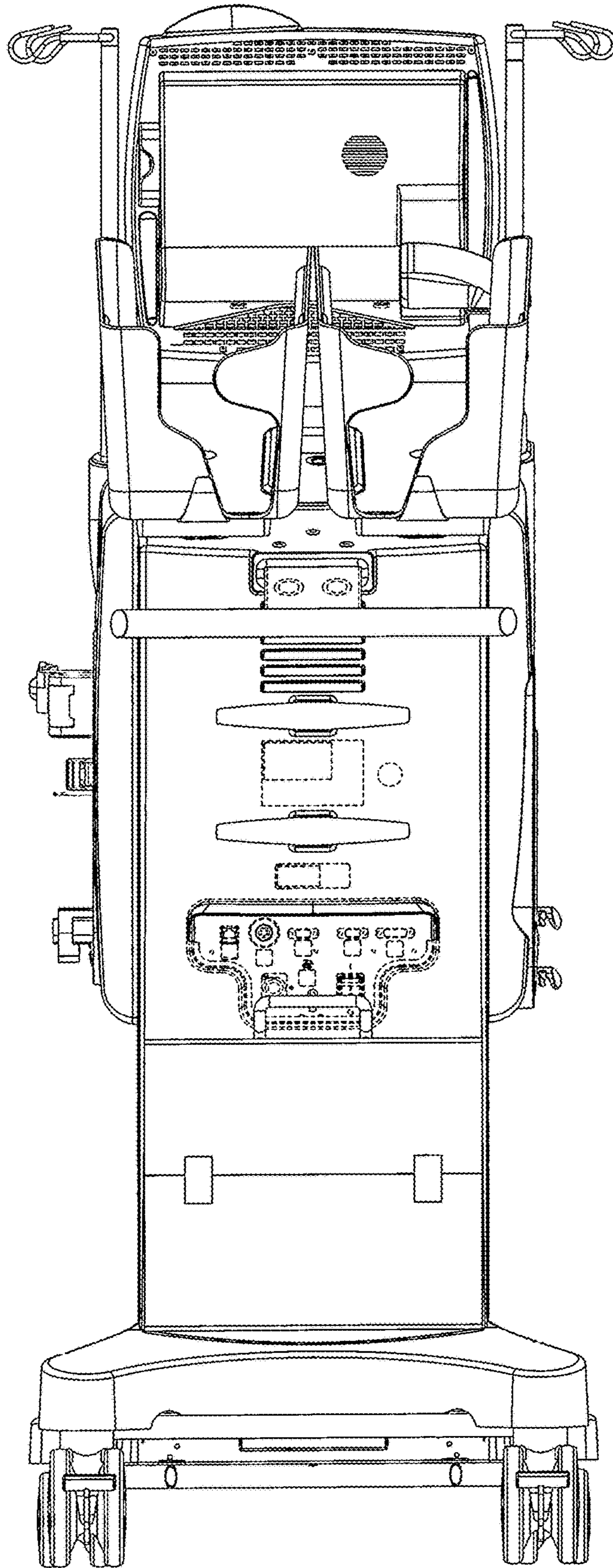


Fig. 5

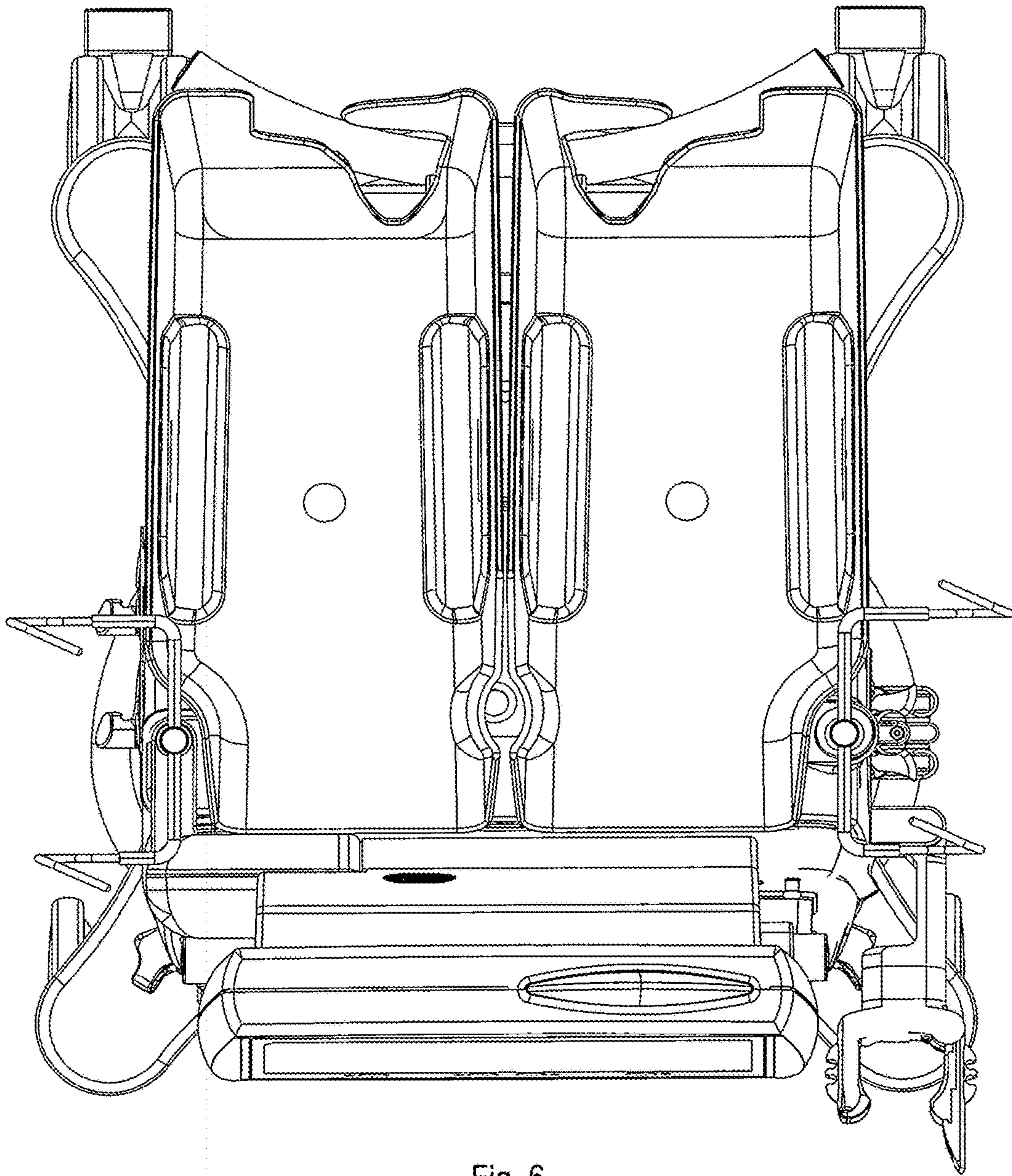


Fig. 6

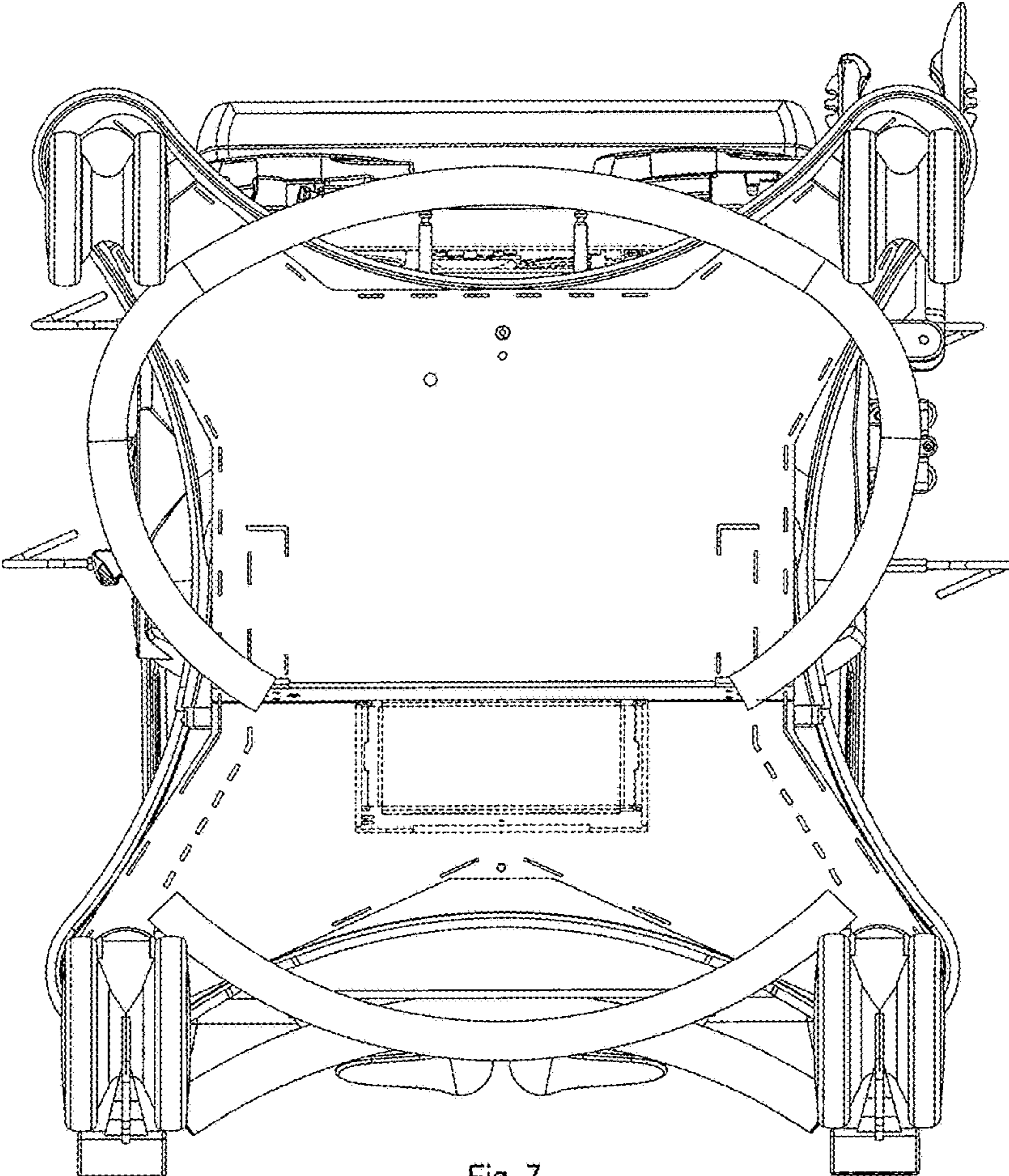


Fig. 7