



US00D802141S

(12) **United States Design Patent** (10) **Patent No.:** **US D802,141 S**  
**Im et al.** (45) **Date of Patent:** **\*\* Nov. 7, 2017**

(54) **ELECTROCARDIOGRAPH**

FOREIGN PATENT DOCUMENTS

(71) Applicant: **SAMSUNG ELECTRONICS CO., LTD.**, Suwon-si (KR)

KR 30-0373841 1/2005

(72) Inventors: **Seungbin Im**, Yongin-si (KR); **Sungchan Ko**, Suwon-si (KR); **Euju Lee**, Guri-si (KR); **Sangho Park**, Seoul (KR)

OTHER PUBLICATIONS

3M, IQMax launch suite of physician smartphone app, Copyright 2014, pp. 1-7, Retrieved from the Internet Nov. 12, 2014 <URL:http://mobihealthnews.com/10883/3m-iqmax-launch-suite-of-physician-smartphone-apps/>. Ambient Noise-Reducing Electronic Stethoscope Awarded International Design Prize, Copyright 2014, pp. 1-3, Retrieved from the Internet Nov. 12, 2014<URL:http://www.dexigner.com/news/8461>.

(73) Assignee: **SAMSUNG ELECTRONICS CO., LTD.**, Gyeonggi-Do (KR)

(\*\*) Term: **15 Years**

\* cited by examiner

(21) Appl. No.: **29/537,573**

*Primary Examiner* — Robert M Spear

(22) Filed: **Aug. 27, 2015**

*Assistant Examiner* — Eliza Bennett-Hattan

(30) **Foreign Application Priority Data**

(74) *Attorney, Agent, or Firm* — Cantor Colburn LLP

Mar. 3, 2015 (KR) ..... 30-2015-0010772

(57) **CLAIM**

The ornamental design for an electrocardiograph, as shown and described.

(51) **LOC (10) Cl.** ..... **24-02**

**DESCRIPTION**

(52) **U.S. Cl.**

USPC ..... **D24/168**

(58) **Field of Classification Search**

USPC ..... D24/133, 134, 137

CPC ..... A61B 7/02; A61B 7/04; A61B 46/10

See application file for complete search history.

FIG. 1 is a perspective view of an electrocardiograph, showing our new design; FIG. 2 is a front view thereof; FIG. 3 is a rear view thereof; FIG. 4 is a left side view thereof; FIG. 5 is a right side view thereof; FIG. 6 is a top view thereof; FIG. 7 is a bottom view thereof; and, FIG. 8 is an enlarged view of the encircled portion 8 as shown in FIG. 1.

(56) **References Cited**

U.S. PATENT DOCUMENTS

- D213,257 S \* 1/1969 Littman ..... D24/134
- D625,804 S 10/2010 Sternberger
- D635,667 S 4/2011 Soerensen et al.
- D711,532 S \* 8/2014 Habboushe ..... D24/134
- 2005/0157887 A1 \* 7/2005 Kim ..... A61B 7/04
- 381/67
- 2006/0227979 A1 \* 10/2006 Chen ..... A61B 7/04
- 381/67

The short dash-dash broken line in the figures represents unclaimed portions of the electrocardiograph and the dot-dot-dash broken line in FIGS. 1 and 8 encircling a portion of the claimed design are for illustrating the enlargement; the broken lines form no part of the claimed design.

**1 Claim, 8 Drawing Sheets**

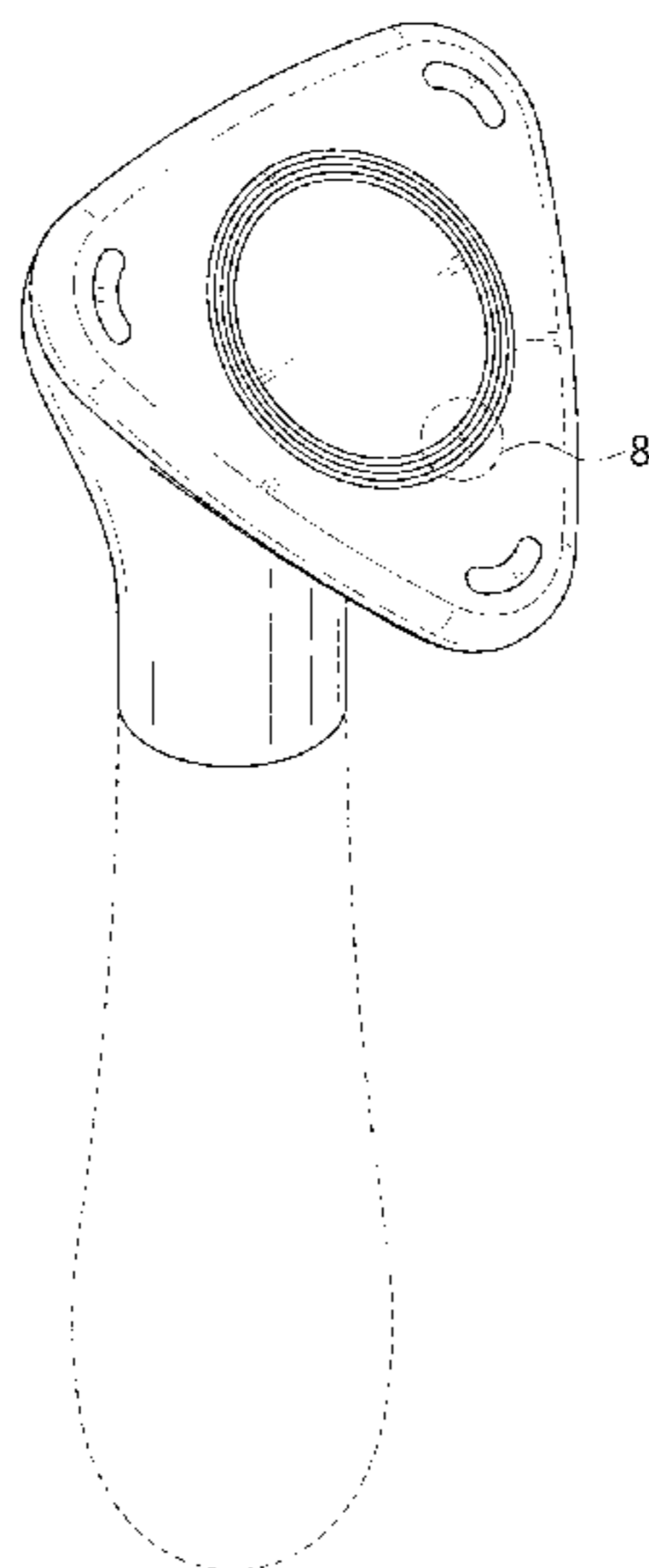


FIG. 1

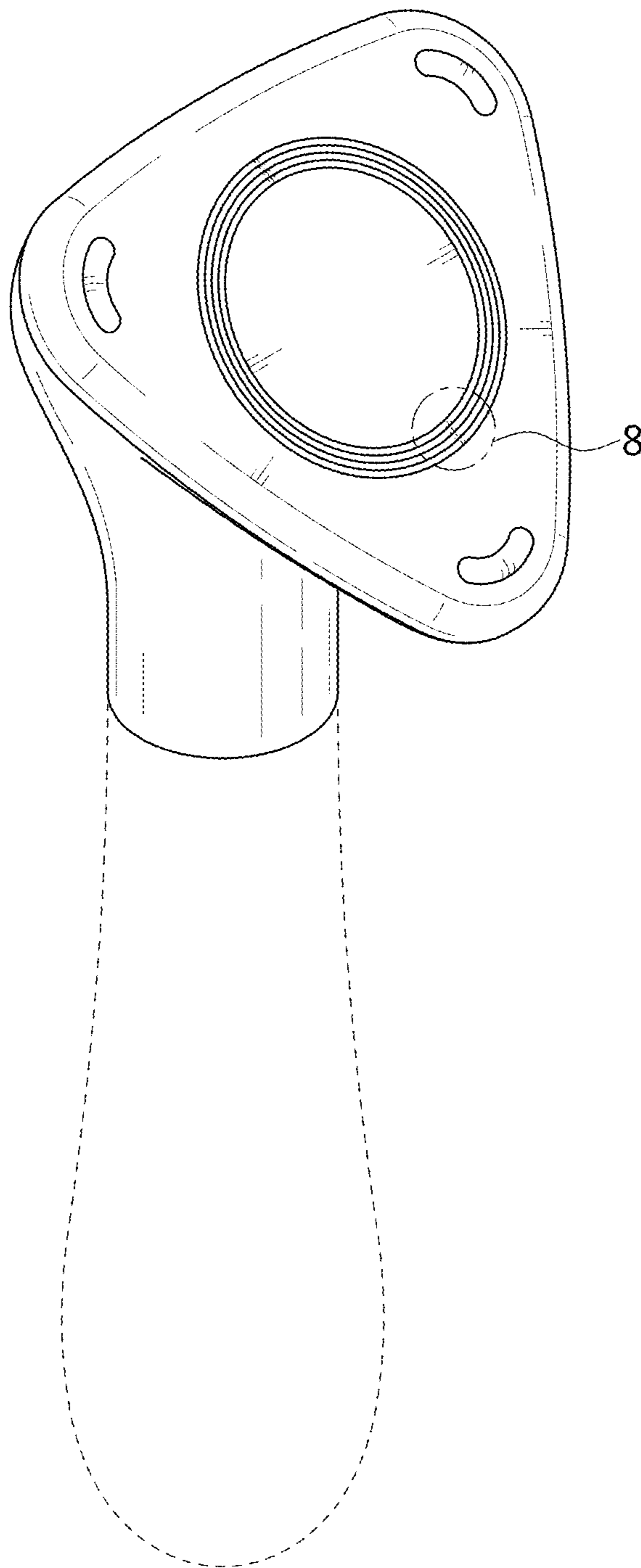


FIG. 2

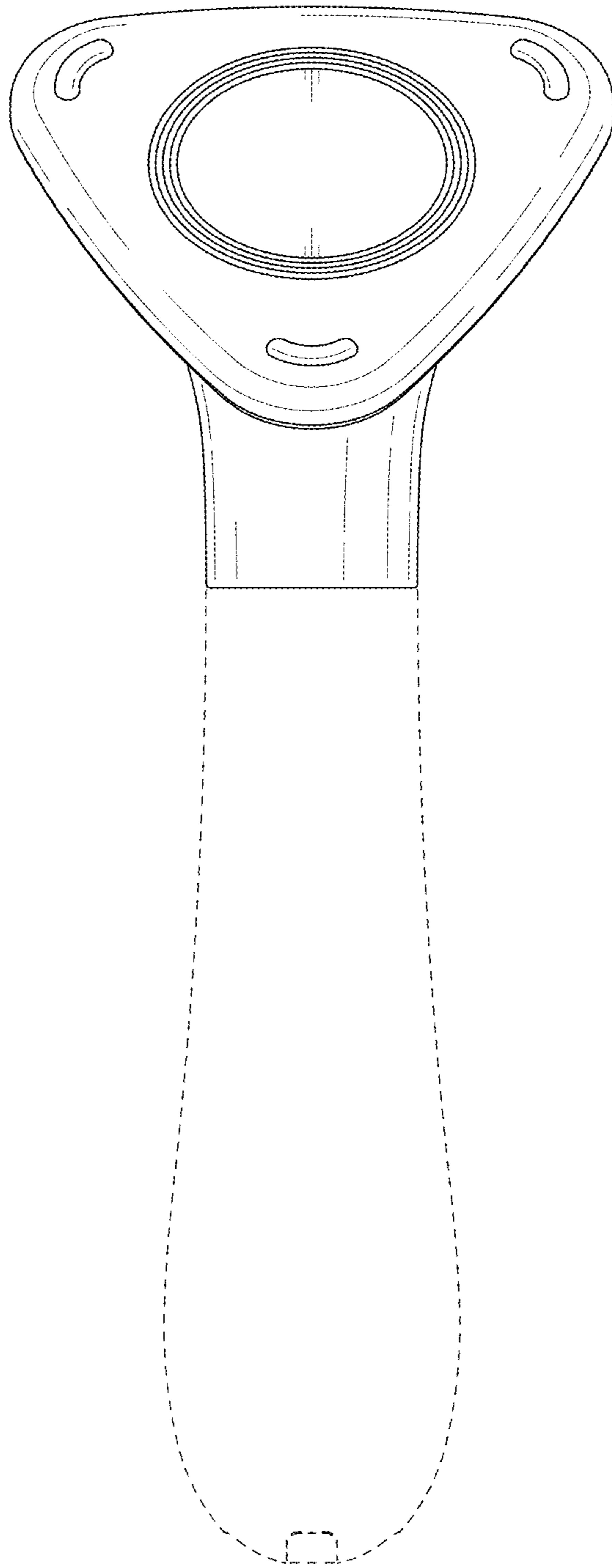


FIG. 3

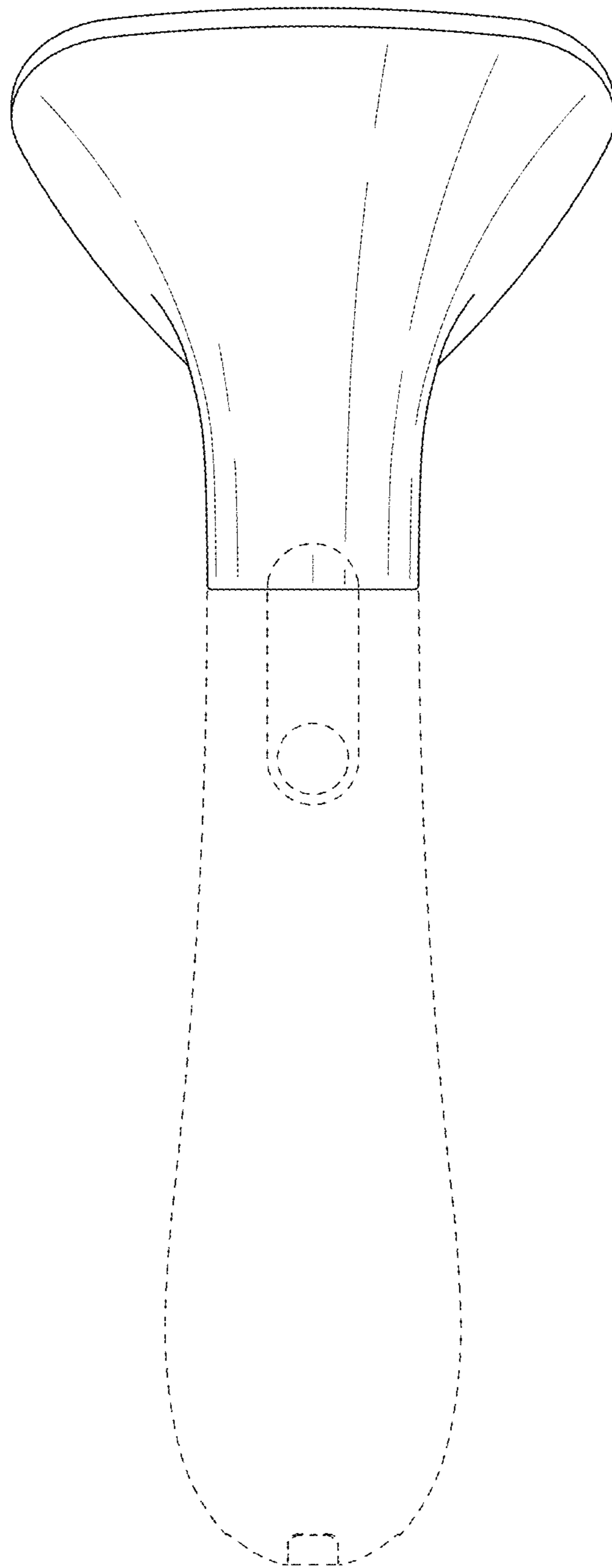


FIG. 4

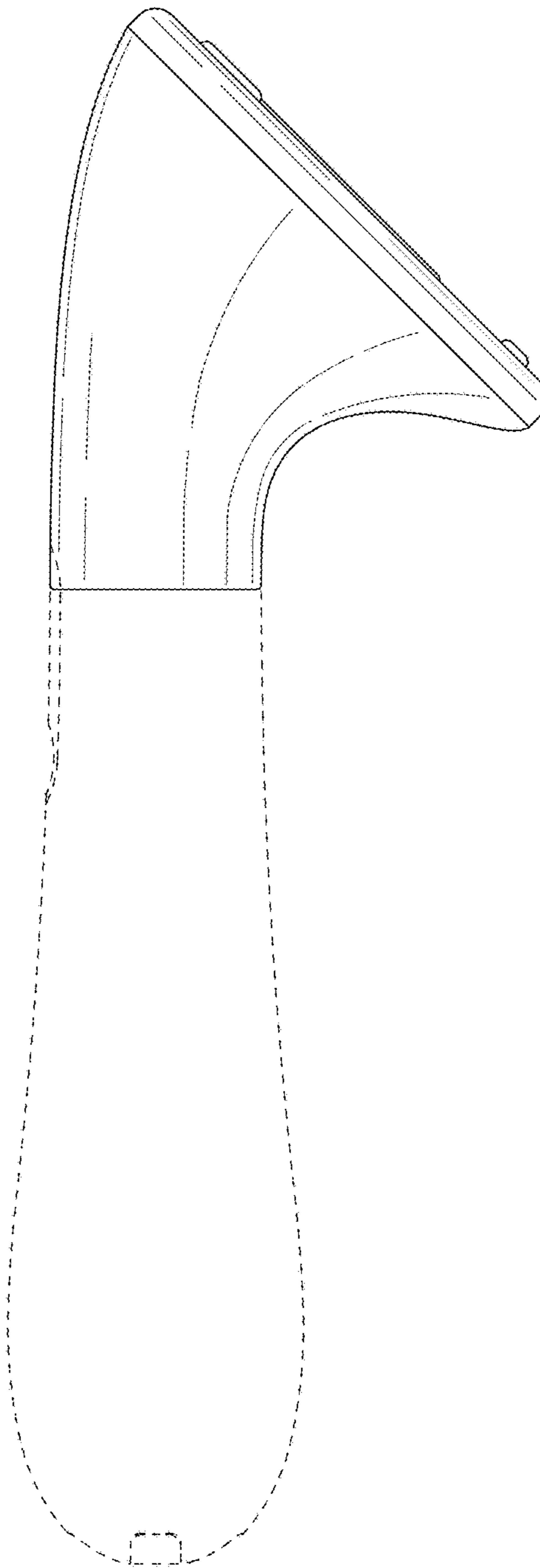


FIG. 5

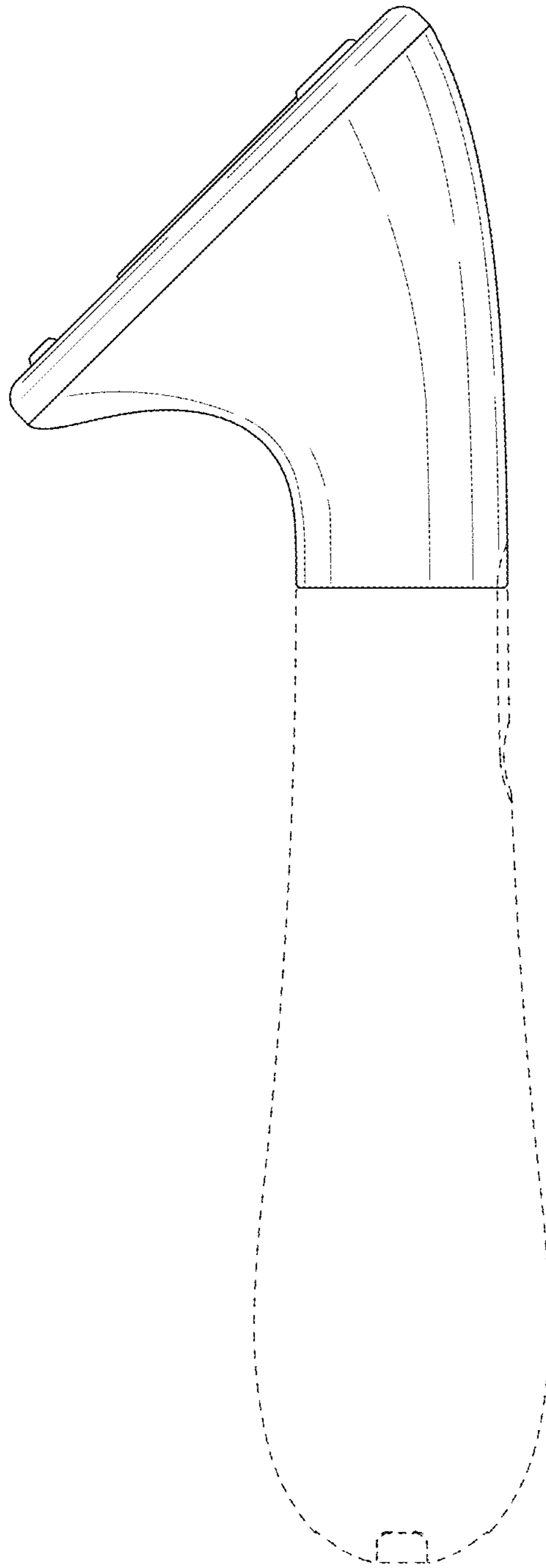


FIG. 6

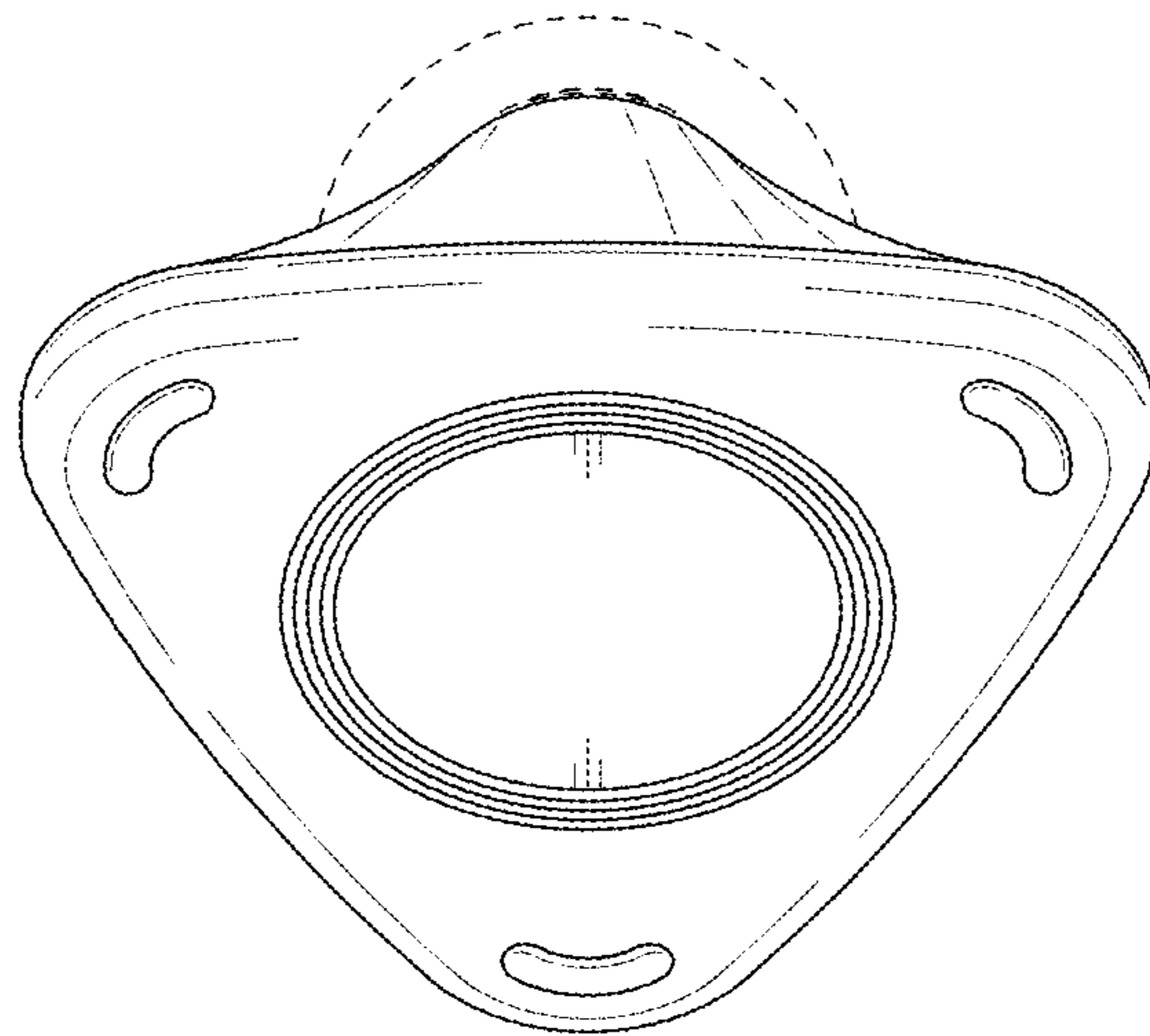


FIG. 7

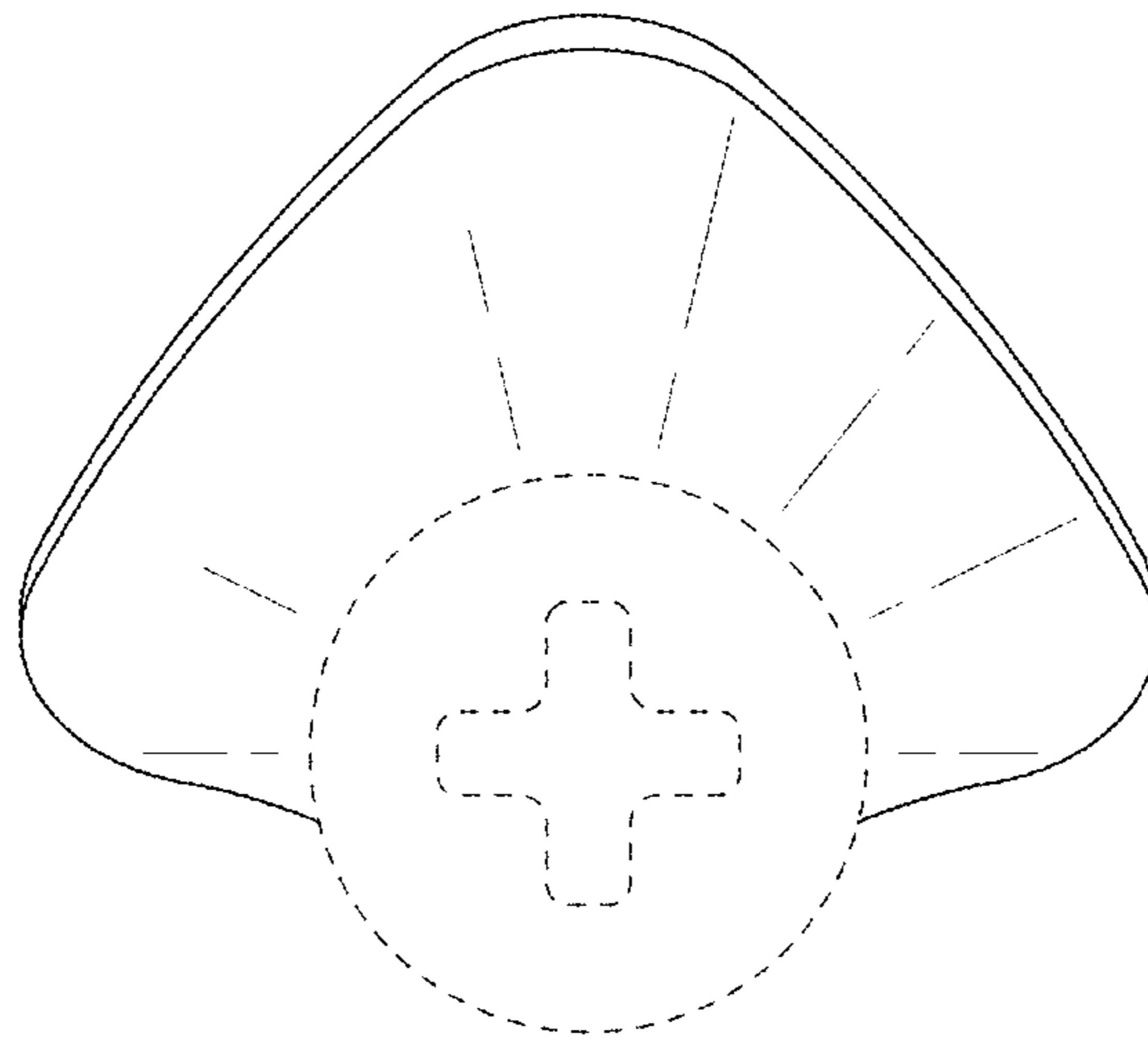




FIG. 8

