



US00D802139S

(12) **United States Design Patent** (10) **Patent No.:** **US D802,139 S**
Tsuchiya et al. (45) **Date of Patent:** **** Nov. 7, 2017**

(54) **BLOOD PRESSURE MEASURING APPARATUS**

(71) Applicants: **Sintai Optical (Shenzhen) Co., Ltd.**,
Shenzhen, Guangdong Province (CN);
Asia Optical International Ltd.,
Tortola (GB)

(72) Inventors: **Chikashi Tsuchiya**, Taichung (TW);
Naofumi Imai, Taichung (TW); **I-Jen Lai**,
Taichung (TW)

(73) Assignees: **SINTAI OPTICAL (SHENZHEN) CO., LTD.**,
Shenzhen, Guangdong Province (CN); **ASIA OPTICAL INTERNATIONAL LTD.**,
Tortola (VG)

(**) Term: **15 Years**

(21) Appl. No.: **29/568,054**

(22) Filed: **Jun. 15, 2016**

(30) **Foreign Application Priority Data**

Dec. 25, 2015 (TW) 104307208

(51) **LOC (10) Cl.** **24-02**

(52) **U.S. Cl.**
USPC **D24/165**

(58) **Field of Classification Search**
USPC D24/107, 164–168, 186; D10/1, 30–40,
D10/70, 75, 78, 97, 98, 103; D11/3;
D14/344, 511; 600/485, 490, 503
CPC A61B 5/0402; A61B 5/0404; A61B 5/021;
A61B 5/024; A61B 5/02438; A61B 5/81;
A61B 5/22; A61B 5/0225; A61B 5/681;
A61B 5/0008; A61B 5/02141; A61B
5/742; A61B 2650/00

See application file for complete search history.

(56) **References Cited**

U.S. PATENT DOCUMENTS

D407,492	S	*	3/1999	Lubs	D24/165
D426,637	S	*	6/2000	Ochi	D24/165
D484,980	S	*	1/2004	Hartwein	D24/165
D496,103	S	*	9/2004	Hartwein	D24/165
D574,496	S	*	8/2008	Kitamura	D24/165
D611,150	S	*	3/2010	Omaki	D24/165
D616,099	S	*	5/2010	Shibata	D24/165
D637,094	S	*	5/2011	Cobbett	D10/32
D637,506	S	*	5/2011	Toyoshima	D10/70
D645,360	S	*	9/2011	Kiser	D10/32
D690,815	S	*	10/2013	Uozumi	D24/165
D711,002	S	*	8/2014	Ohnemus	D24/186
D720,074	S	*	12/2014	Suvilaakso	D24/167
D721,292	S	*	1/2015	Choi	D10/70

(Continued)

Primary Examiner — Wan Laymon

Assistant Examiner — Clint A Samuel

(74) *Attorney, Agent, or Firm* — McClure, Qualey &
Rodack, LLP

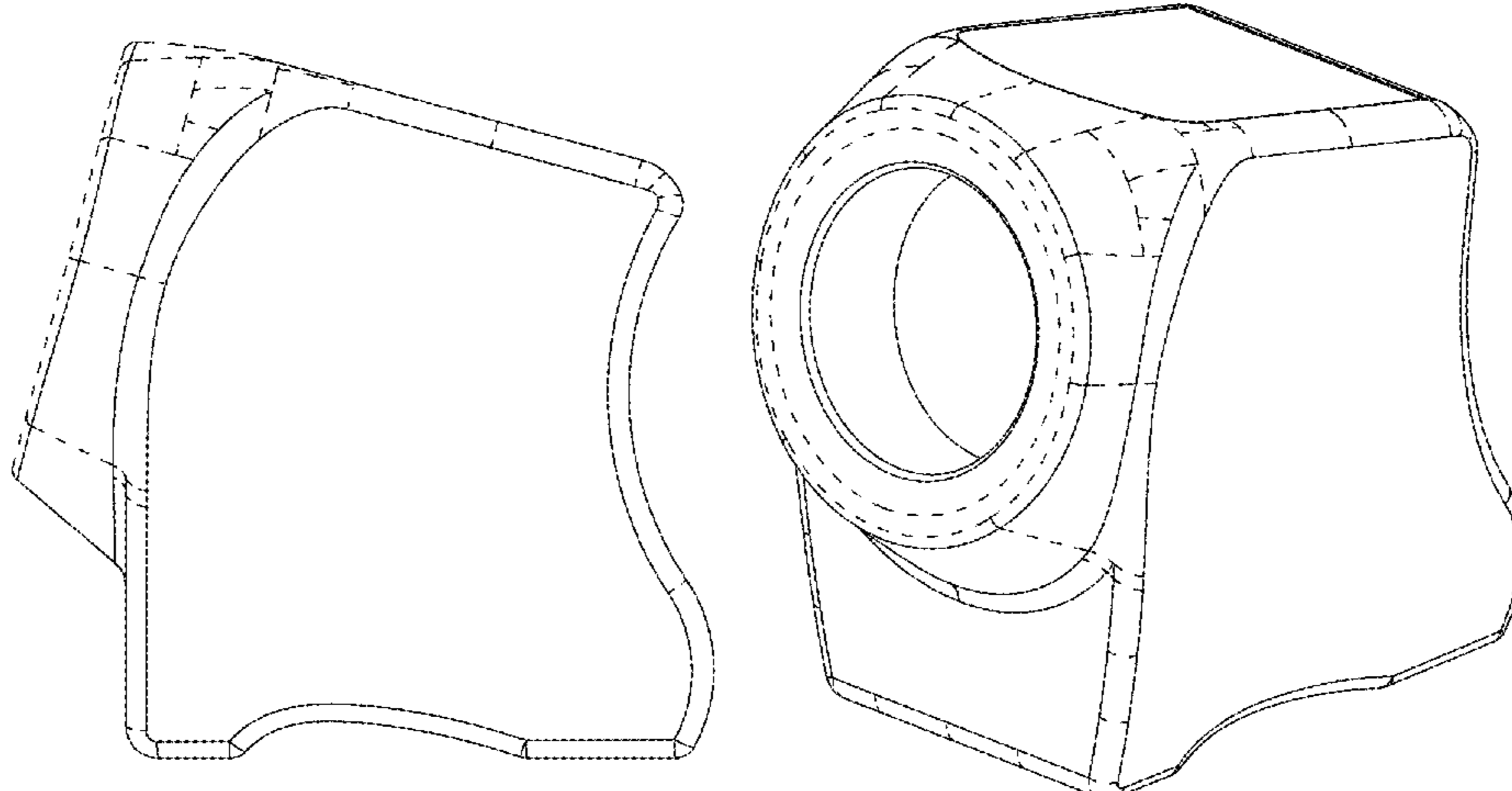
(57) **CLAIM**

The ornamental design for a blood pressure measuring apparatus, as shown and described.

DESCRIPTION

FIG. 1 is a front elevational view of a blood pressure measuring apparatus showing our new design; FIG. 2 is a rear elevational view thereof; FIG. 3 is a left side elevational view thereof; FIG. 4 is a right side elevational view thereof; FIG. 5 is a top plan view thereof; FIG. 6 is a bottom plan view thereof; FIG. 7 is a front perspective view thereof; and, FIG. 8 is rear perspective view thereof.

(Continued)



The broken lines showing in the drawings are for the purpose of illustrating environmental structure and form no part of the claimed design.

1 Claim, 5 Drawing Sheets

(56)

References Cited

U.S. PATENT DOCUMENTS

D729,657 S *	5/2015	Behar	D10/70
D729,658 S *	5/2015	Behar	D10/70
D734,176 S *	7/2015	Isaacs	D10/30
D738,759 S *	9/2015	Behar	D10/39
D740,140 S *	10/2015	Behar	D10/39
D740,702 S *	10/2015	Behar	D10/39
D740,703 S *	10/2015	Behar	D10/39
D742,529 S *	11/2015	Huffman	D24/186
D744,356 S *	12/2015	Akana	D10/70
D745,421 S *	12/2015	Akana	D10/32
D746,477 S *	12/2015	Cha	D24/186
D747,714 S *	1/2016	Erbeus	D10/32
D749,002 S *	2/2016	Park	D10/70
D751,069 S *	3/2016	Choi	D10/32
D757,583 S *	5/2016	Roush	D10/70
D760,391 S *	6/2016	Eshita	D24/165
D766,758 S *	9/2016	Park	D10/70
D767,769 S *	9/2016	Suvilaakso	D24/186
D772,867 S *	11/2016	Park	D10/39
D772,868 S *	11/2016	Park	D10/39
D772,871 S *	11/2016	Park	D14/138 R
D773,052 S *	11/2016	Wimmer, IV	D10/103
D777,590 S *	1/2017	Nielsen	D10/39
D779,989 S *	2/2017	Lee	D10/70
D786,241 S *	5/2017	Chuang	D14/344
D789,929 S *	6/2017	Tan	D14/344

* cited by examiner

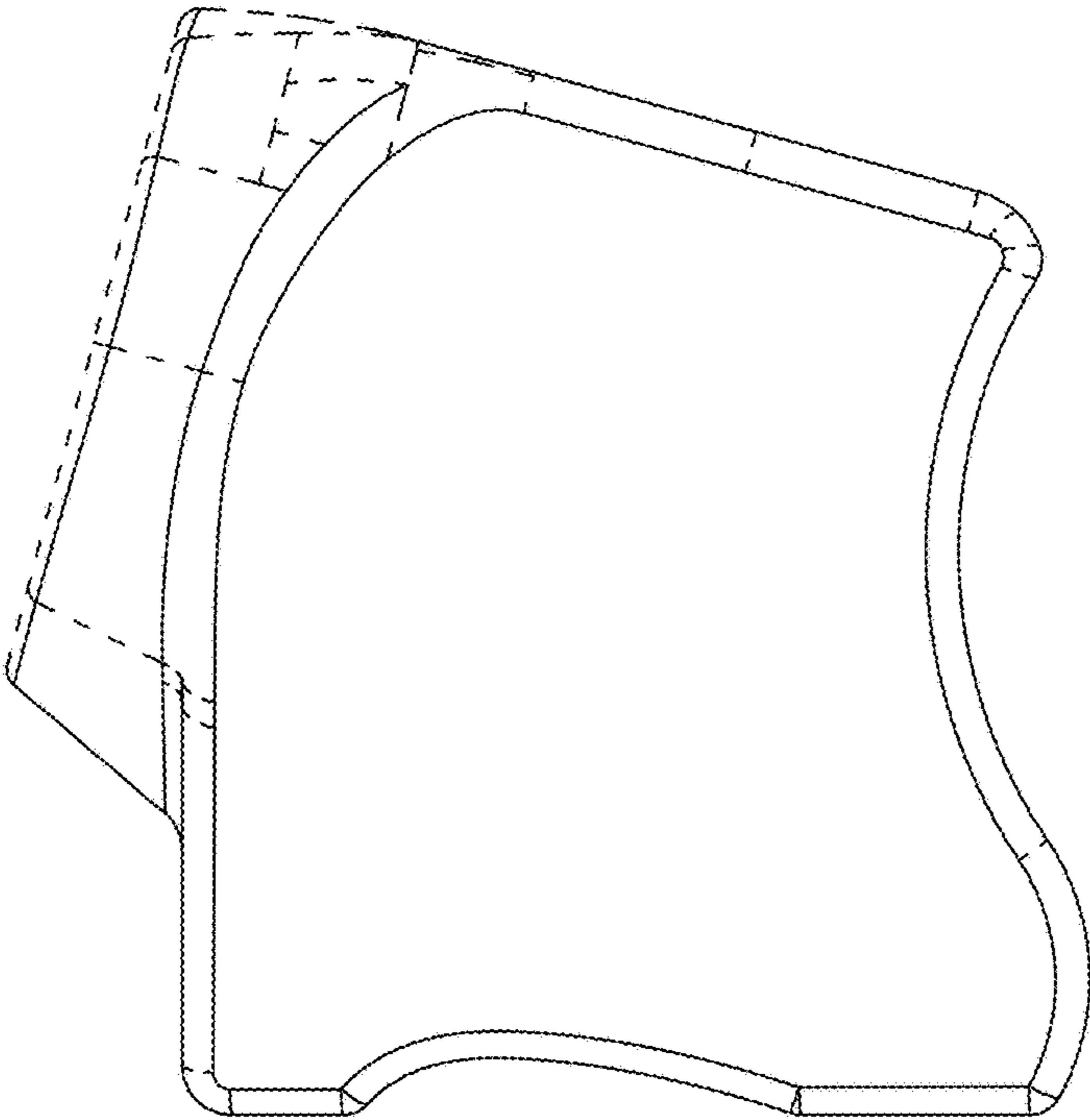


Fig. 1

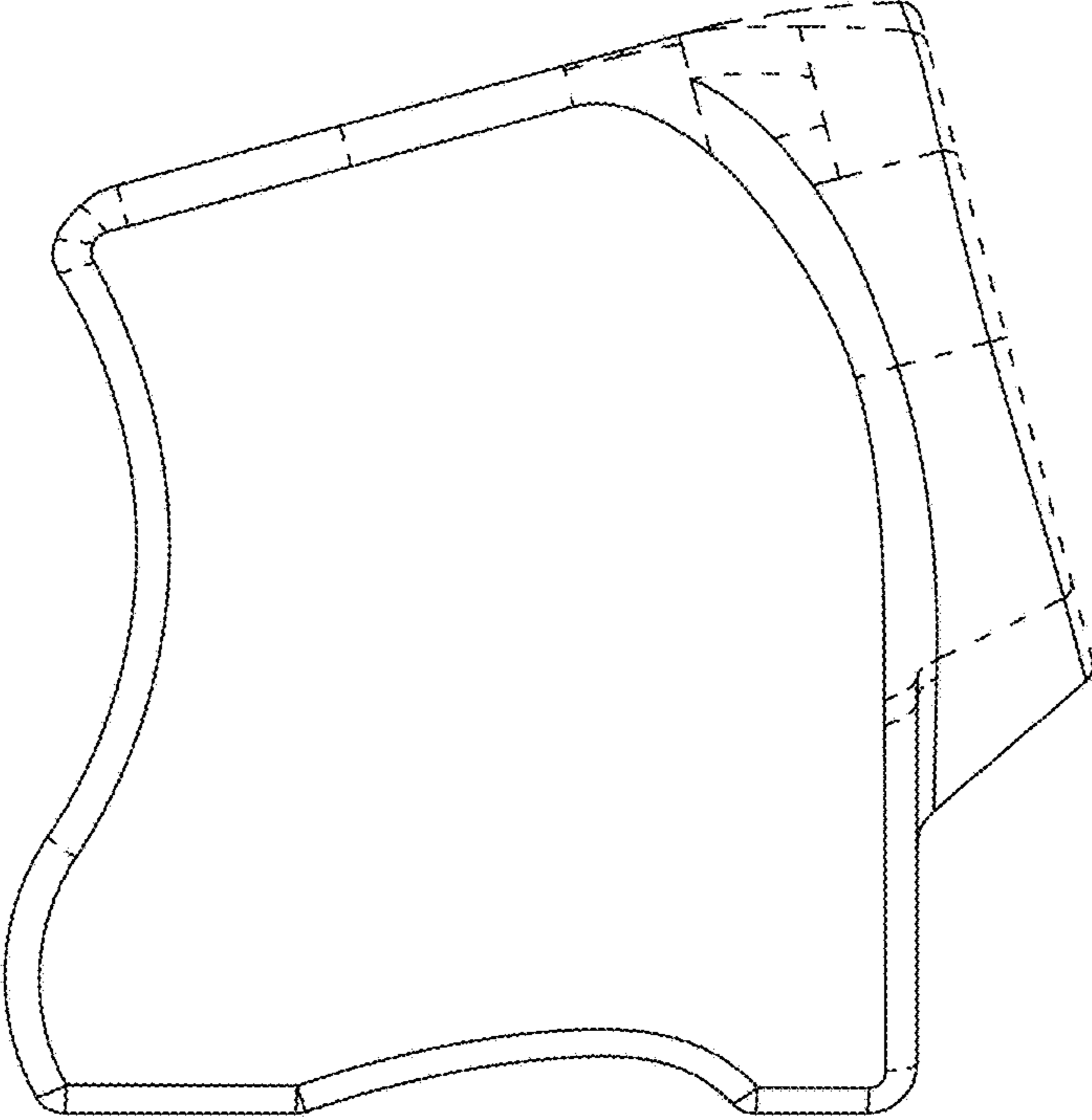


Fig. 2

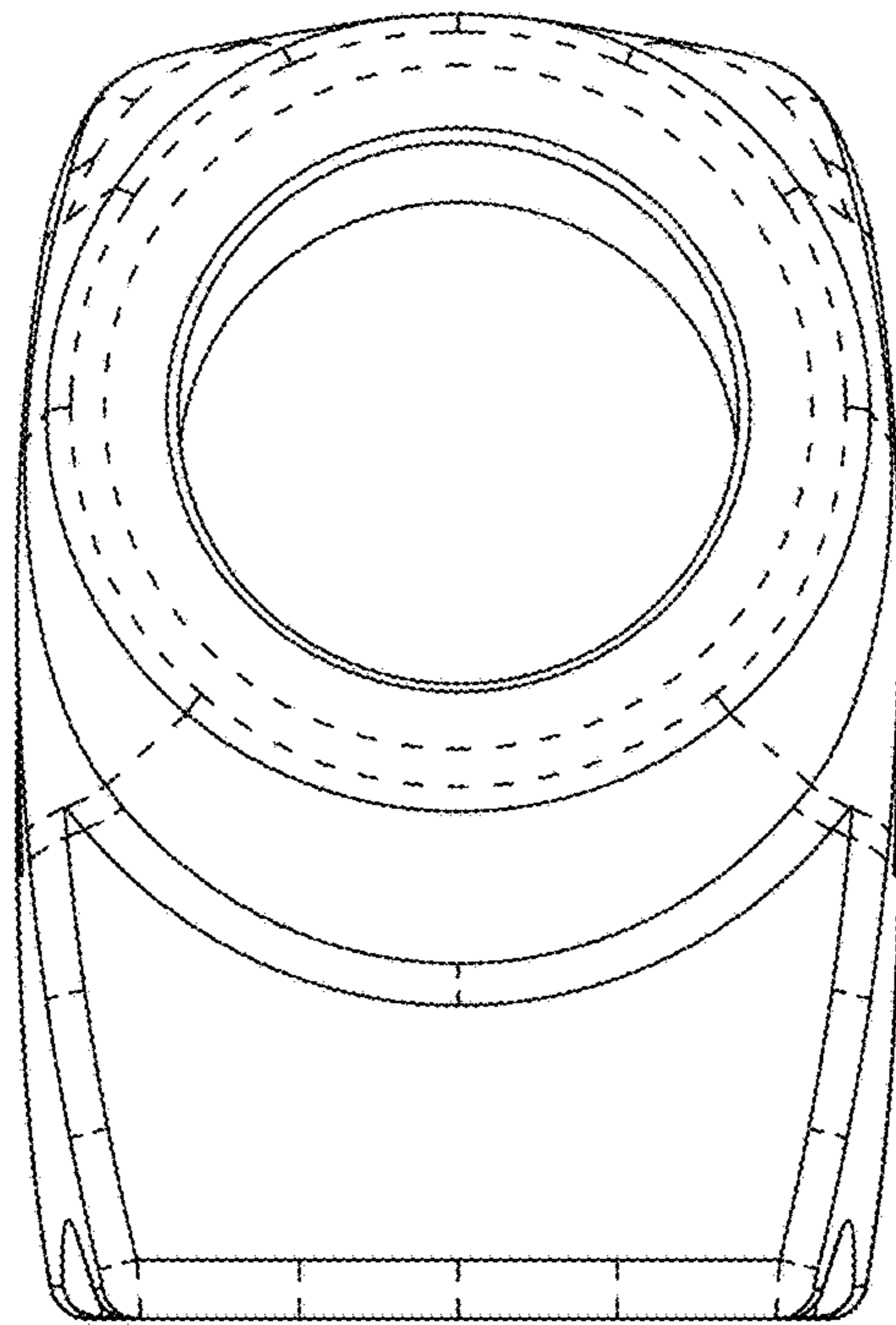


Fig. 3

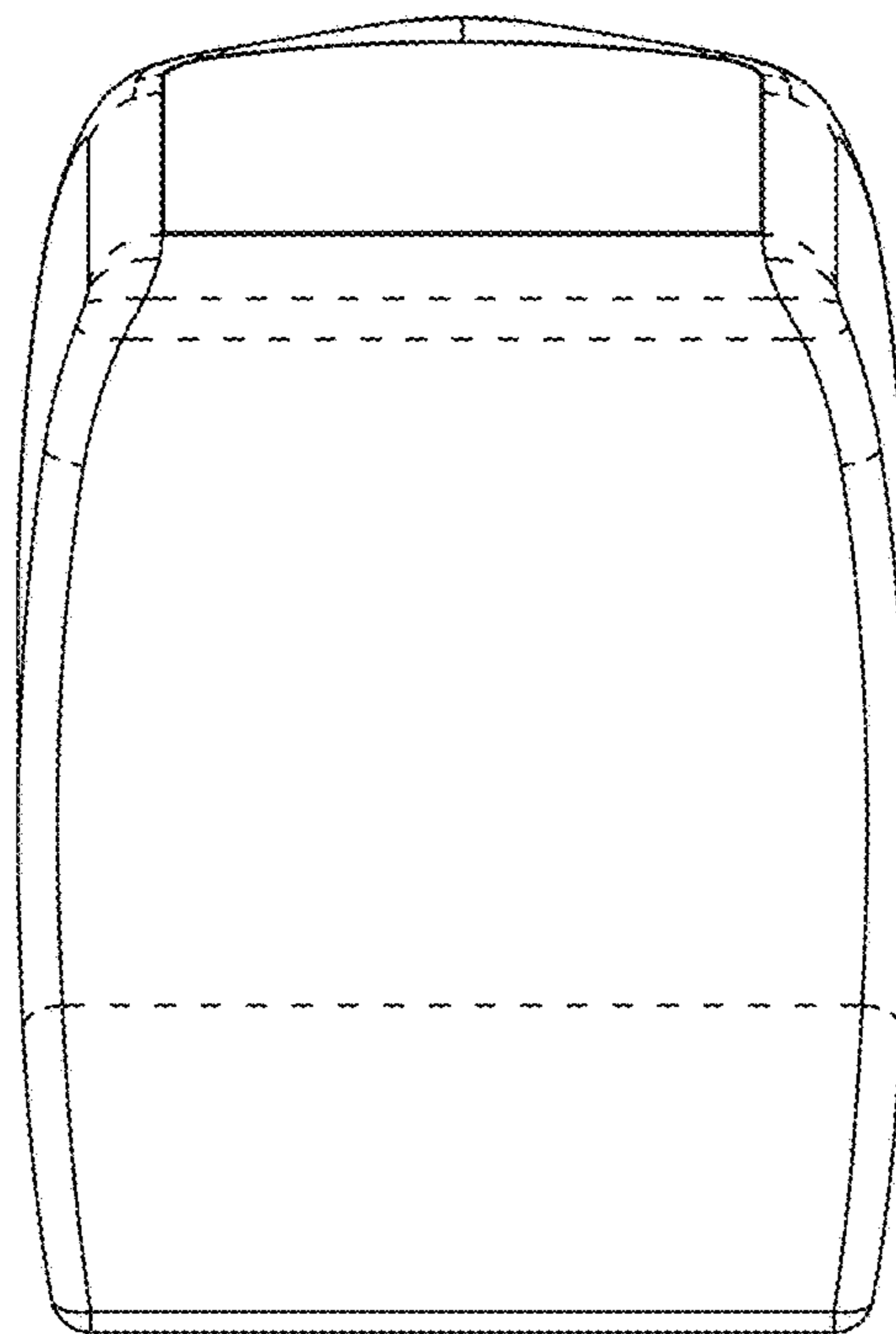


Fig. 4

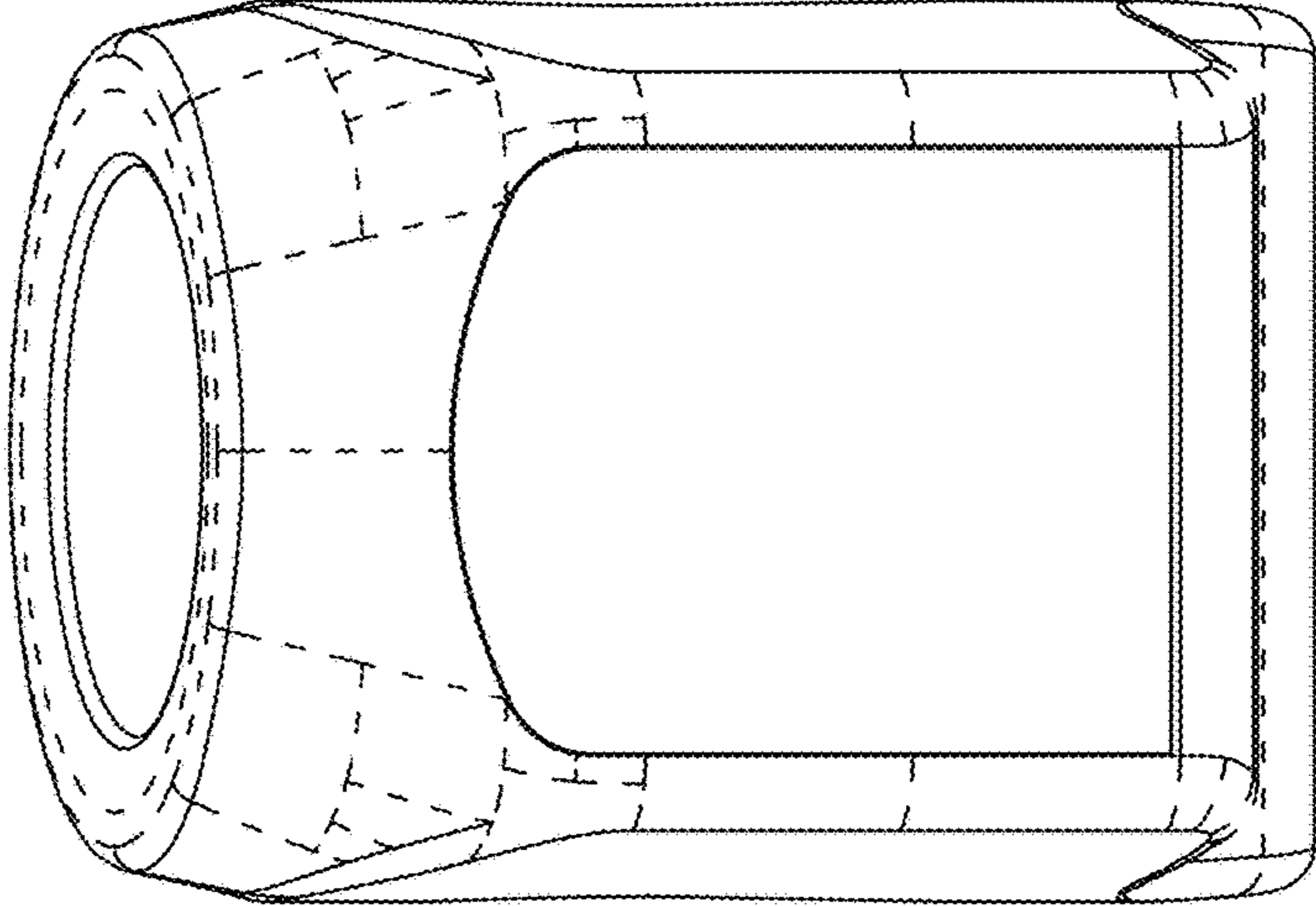


Fig. 5

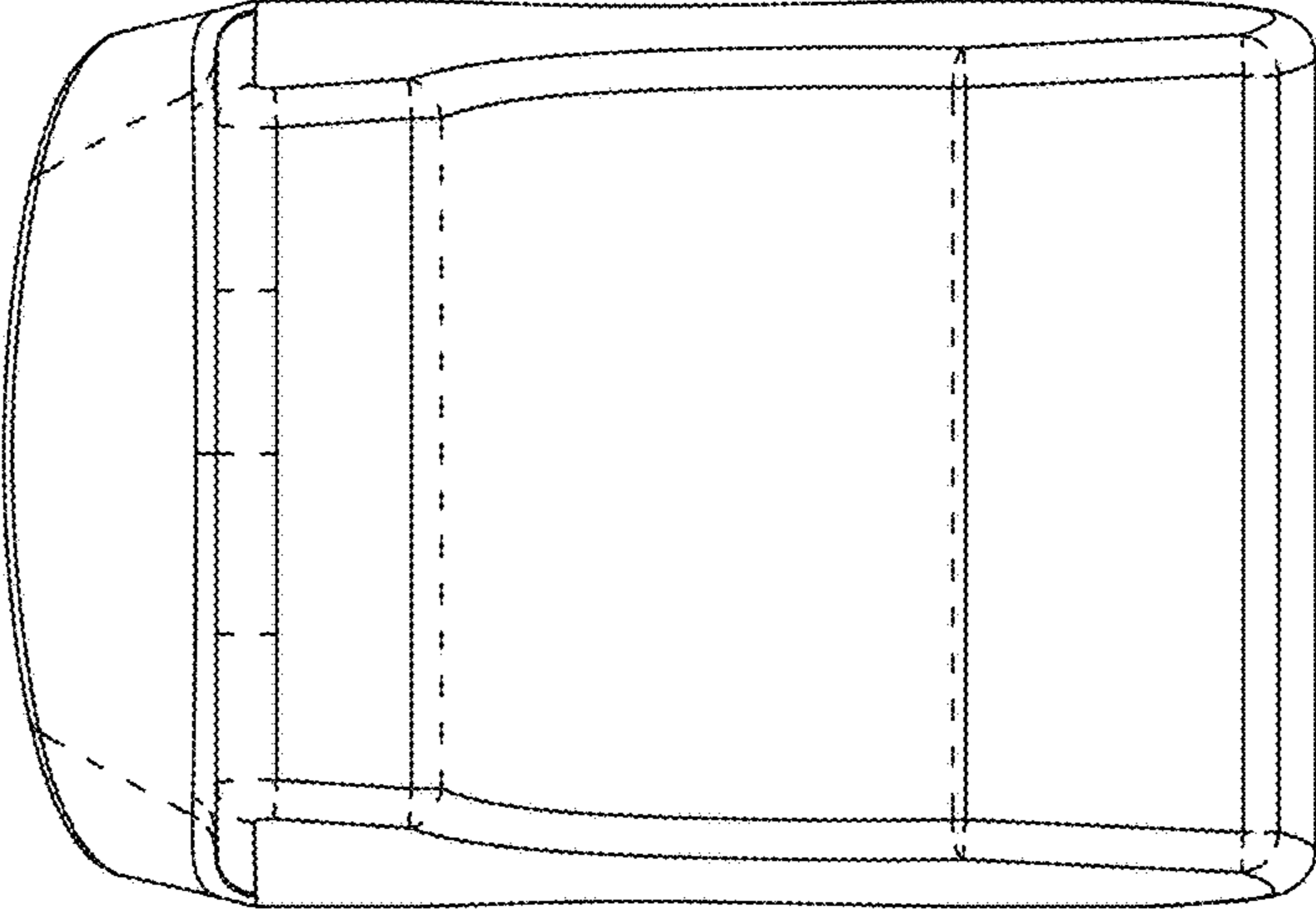


Fig. 6

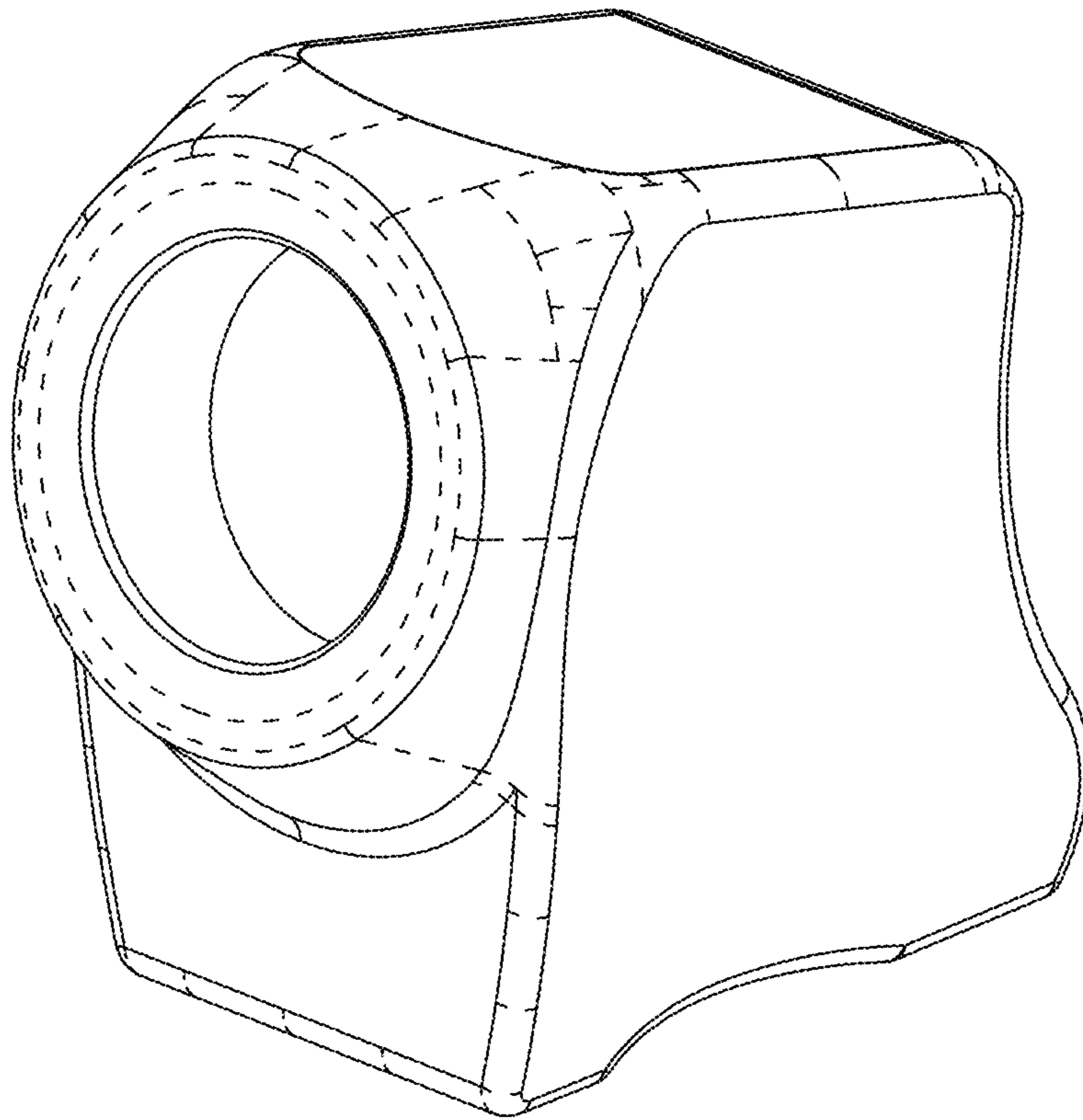


Fig. 7

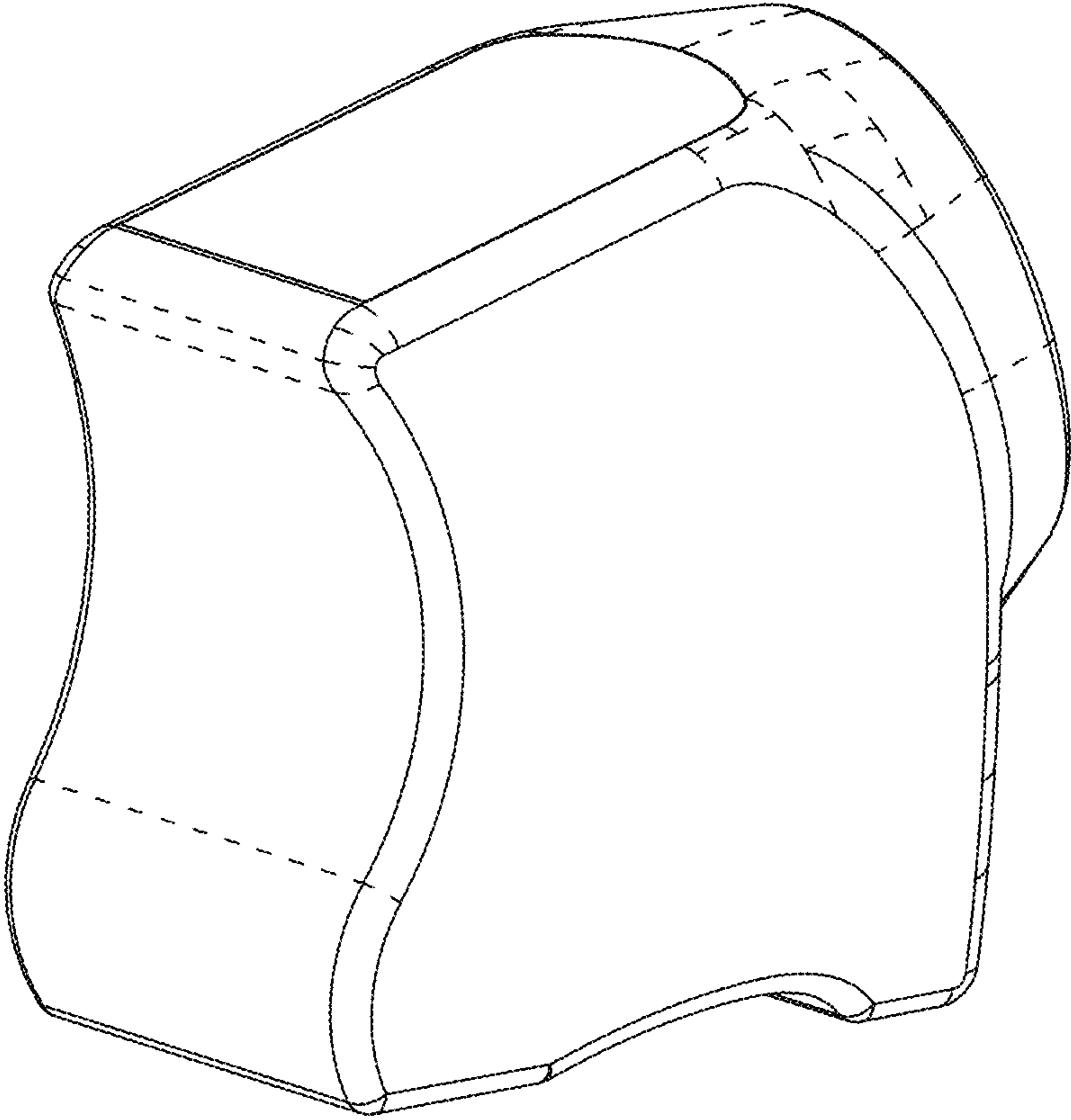


Fig. 8