



US00D802130S

(12) **United States Design Patent** (10) **Patent No.:** **US D802,130 S**
Im et al. (45) **Date of Patent:** **** Nov. 7, 2017**

(54) **OTOSCOPE**

D278,554 S *	4/1985	Bain	D24/137
D377,393 S *	1/1997	Sams	D24/137
D566,838 S *	4/2008	Slawson	D24/137
D776,810 S *	1/2017	Tseng	D24/137

(71) Applicant: **SAMSUNG ELECTRONICS CO., LTD.**, Suwon-si (KR)

(72) Inventors: **Seungbin Im**, Yongin-si (KR); **Sungchan Ko**, Suwon-si (KR); **Euiju Lee**, Guri-si (KR); **Sangho Park**, Seoul (KR)

(73) Assignee: **SAMSUNG ELECTRONICS CO., LTD.**, Gyeonggi-Do (KR)

(**) Term: **15 Years**

(21) Appl. No.: **29/535,786**

(22) Filed: **Aug. 10, 2015**

(30) **Foreign Application Priority Data**

Feb. 16, 2015 (KR) 30-2015-0008471

(51) **LOC (10) Cl.** **24-02**

(52) **U.S. Cl.**
USPC **D24/137**

(58) **Field of Classification Search**
USPC D24/133, 134, 137
CPC A61B 1/227
See application file for complete search history.

(56) **References Cited**

U.S. PATENT DOCUMENTS

D207,372 S *	4/1967	Pulos	600/200
3,373,737 A *	3/1968	Connors	A61B 1/227
				200/60
D221,109 S *	7/1971	Heine	D24/137
D238,099 S *	12/1975	Pulos	D11/22
D250,662 S *	12/1978	Rieselman	433/133
4,147,163 A *	4/1979	Newman	A61B 1/227
				320/114

OTHER PUBLICATIONS

Earcare Otoscope, [Copyright 1999-2012], pp. 1-3, Retrieved from the internet Nov. 12, 2014, <URL:http://ko.aliexpress.com/item/Pen-style-Earcare-Professional-Otoscope-Diagnostic-set-medical-use-pen-light-with-Retail-package/1869531004.html>.

Spirit, [Retrieved from the internet Nov. 12, 2014], pp. 1-3, Retrieved from the internet <URL:http://www.entmedi.com/shop/shopdetail.html?branduid=435963>.

* cited by examiner

Primary Examiner — Robert M Spear

Assistant Examiner — Eliza Bennett-Hattan

(74) *Attorney, Agent, or Firm* — Cantor Colburn LLP

(57) **CLAIM**

The ornamental design for an otoscope, as shown and described.

DESCRIPTION

FIG. 1 is a perspective view of an otoscope, showing our new design;

FIG. 2 is a front view thereof;

FIG. 3 is a rear view thereof;

FIG. 4 is a left side view thereof;

FIG. 5 is a right side view thereof;

FIG. 6 is a top view thereof;

FIG. 7 is a bottom view thereof; and,

FIG. 8 is another perspective view thereof.

The broken lines showing portions of the otoscope form no part of the claimed design.

1 Claim, 8 Drawing Sheets

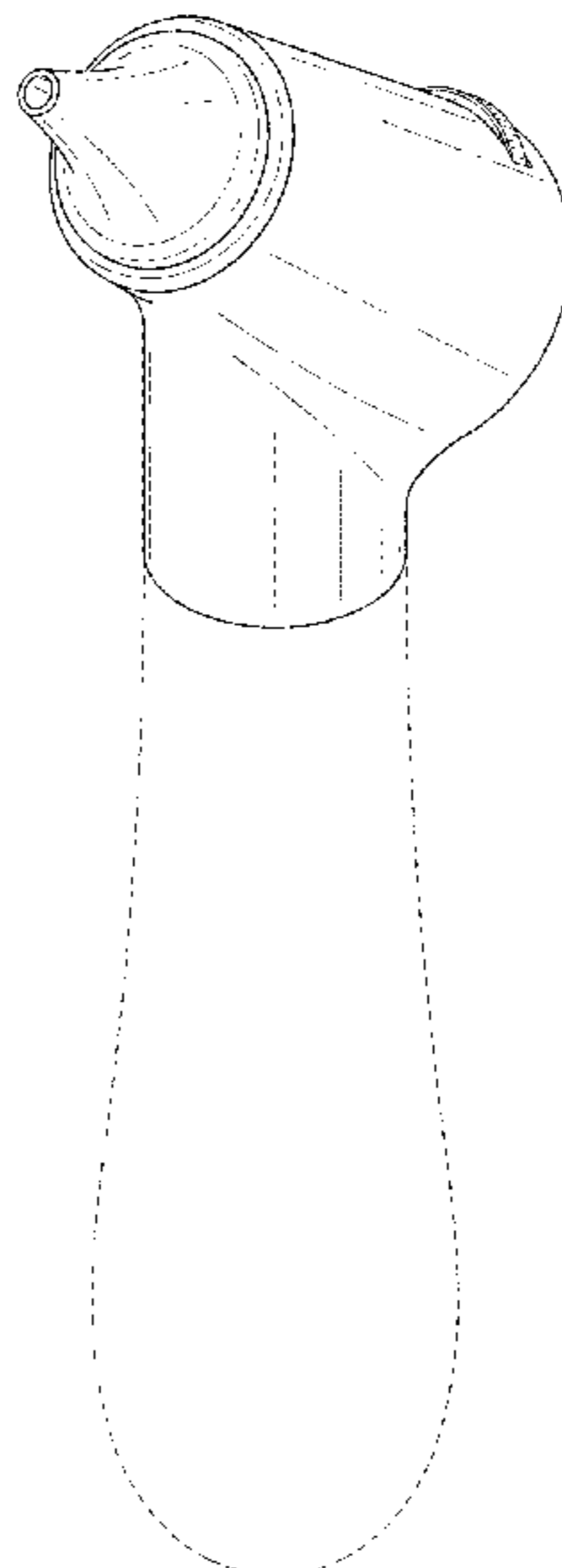


FIG. 1

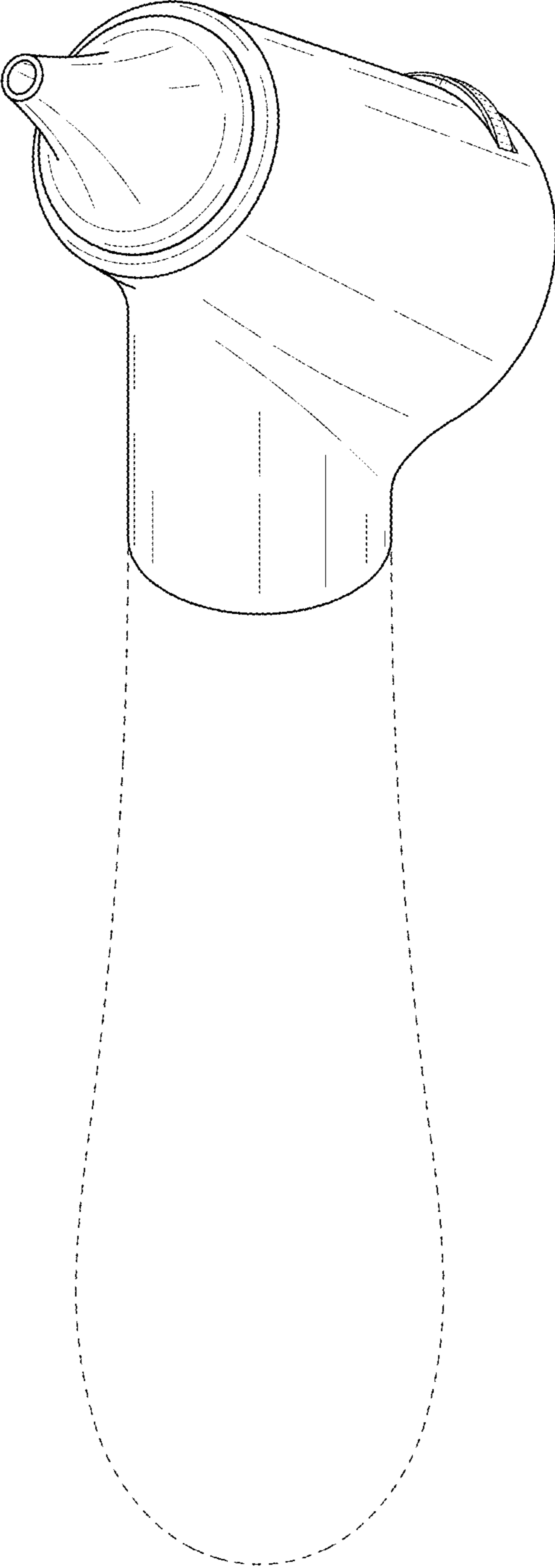


FIG. 2

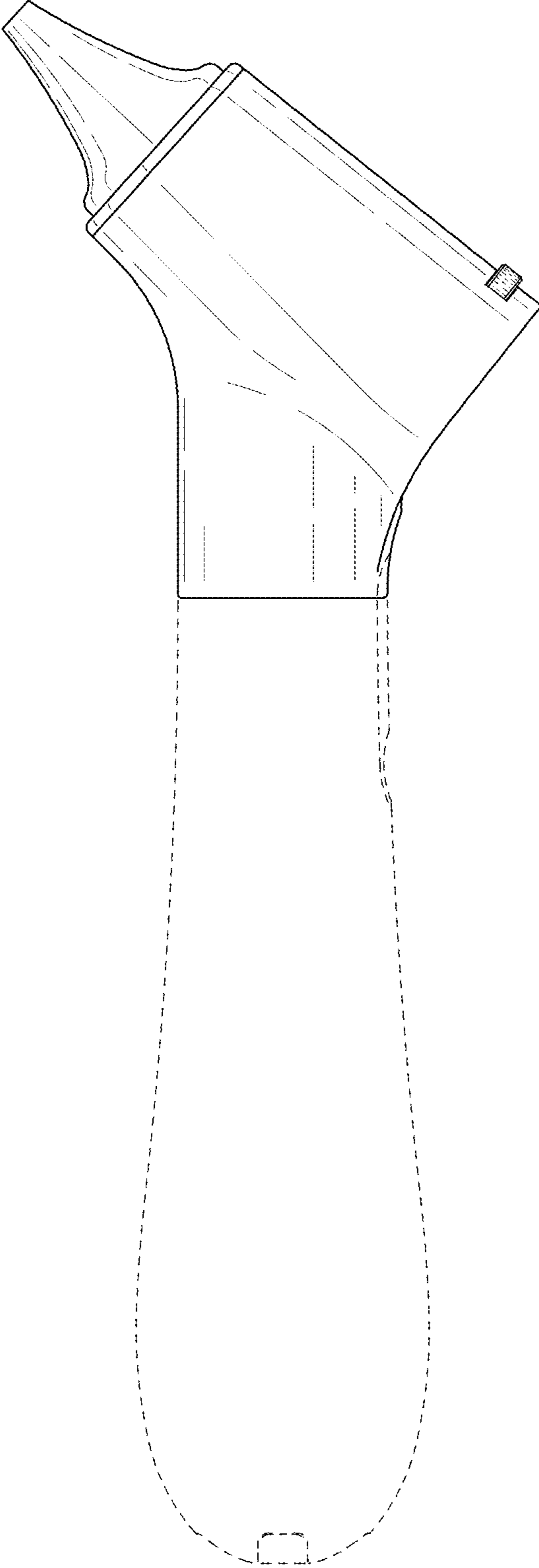


FIG. 3

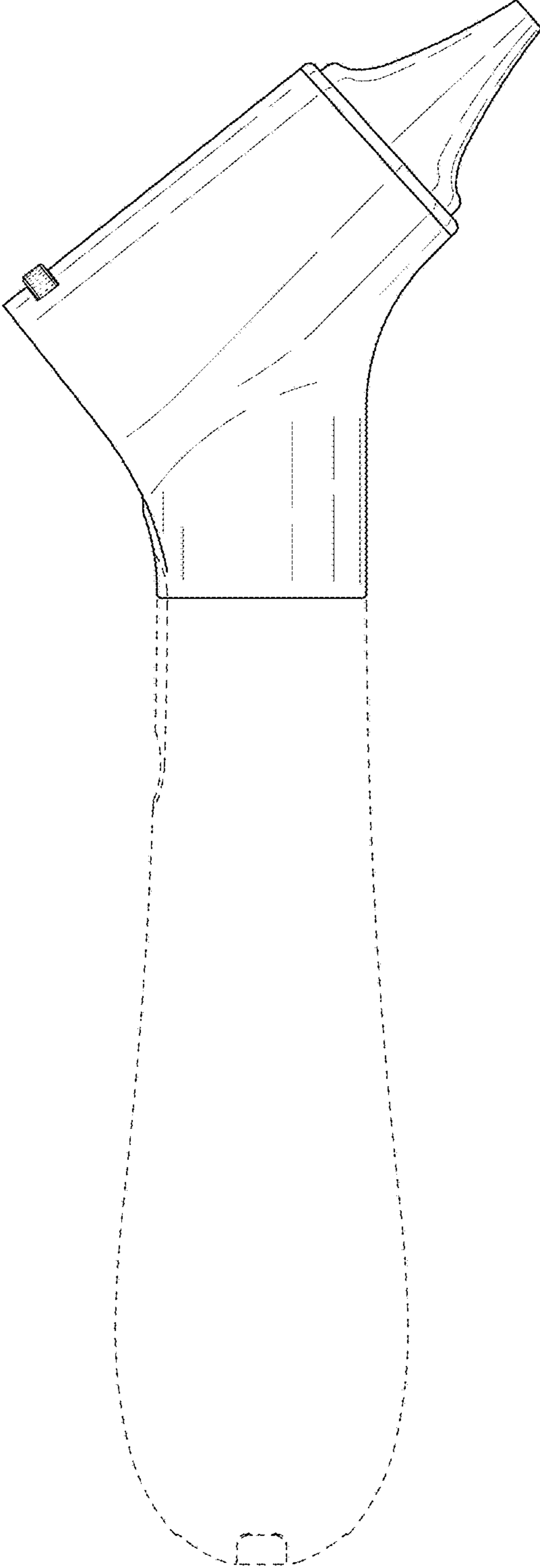


FIG. 4

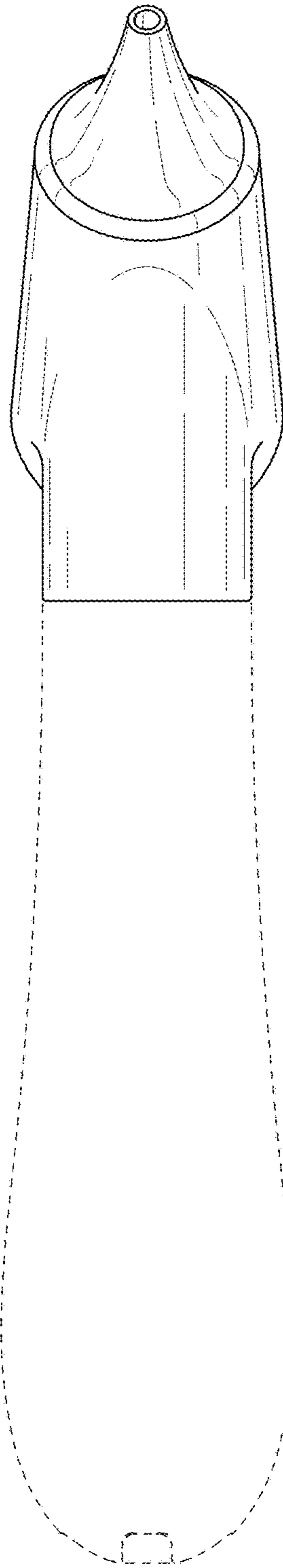


FIG. 5

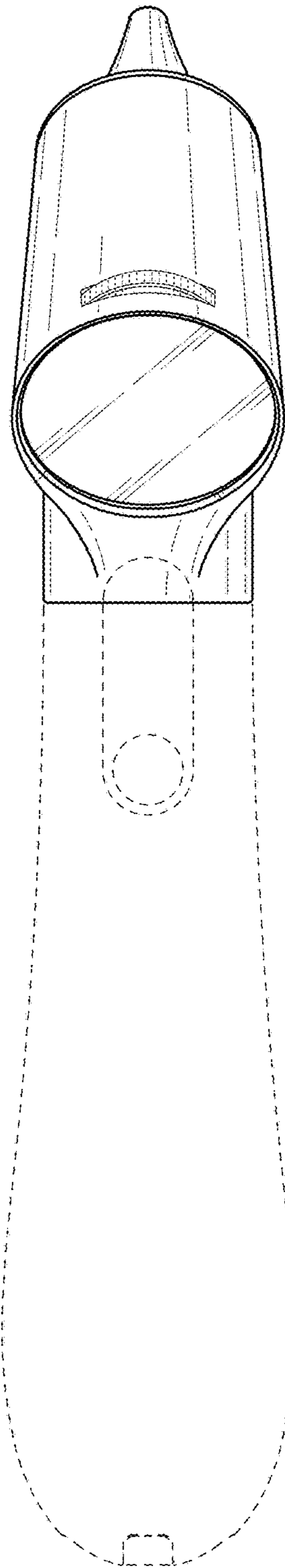


FIG. 6

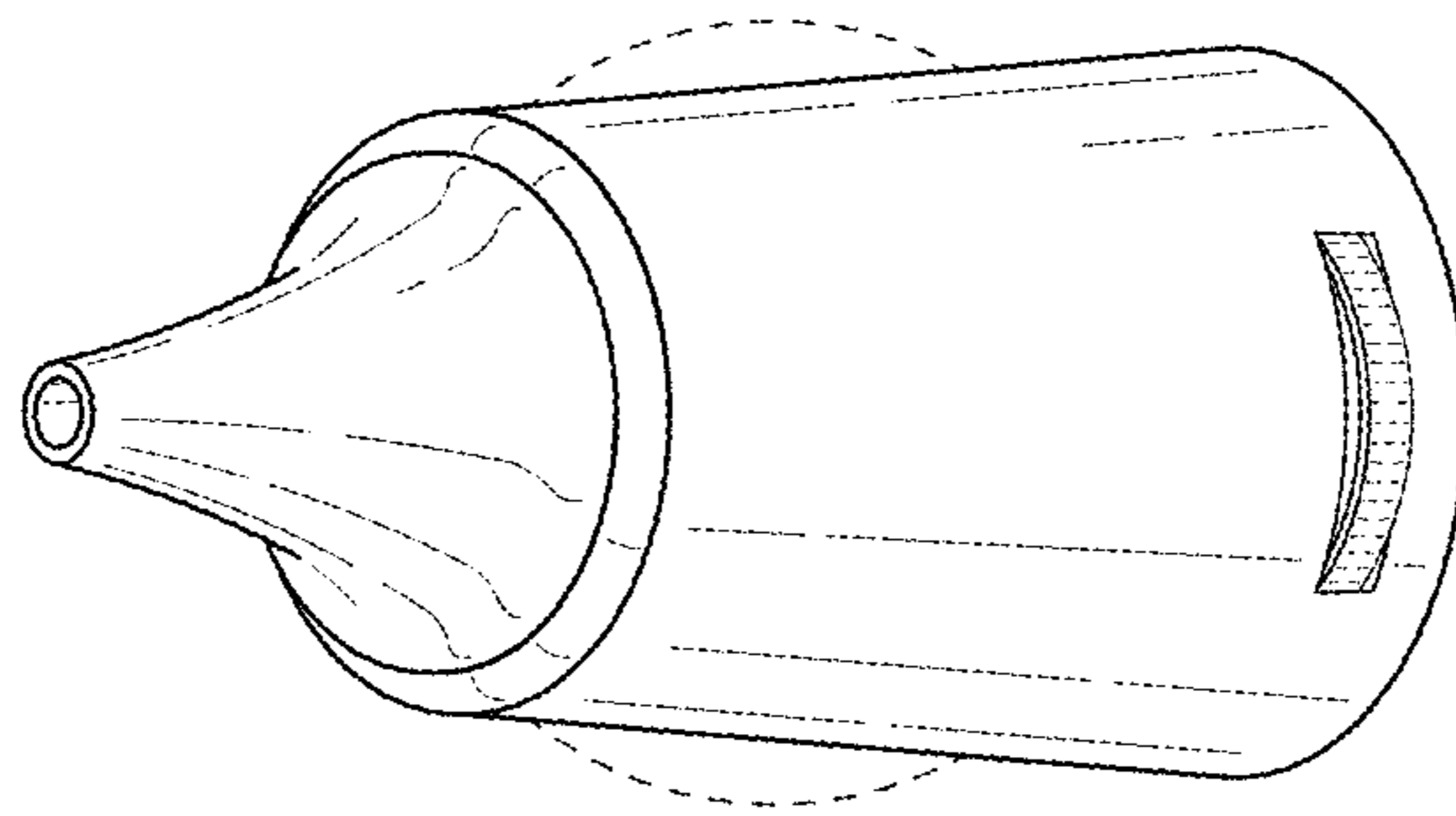


FIG. 7

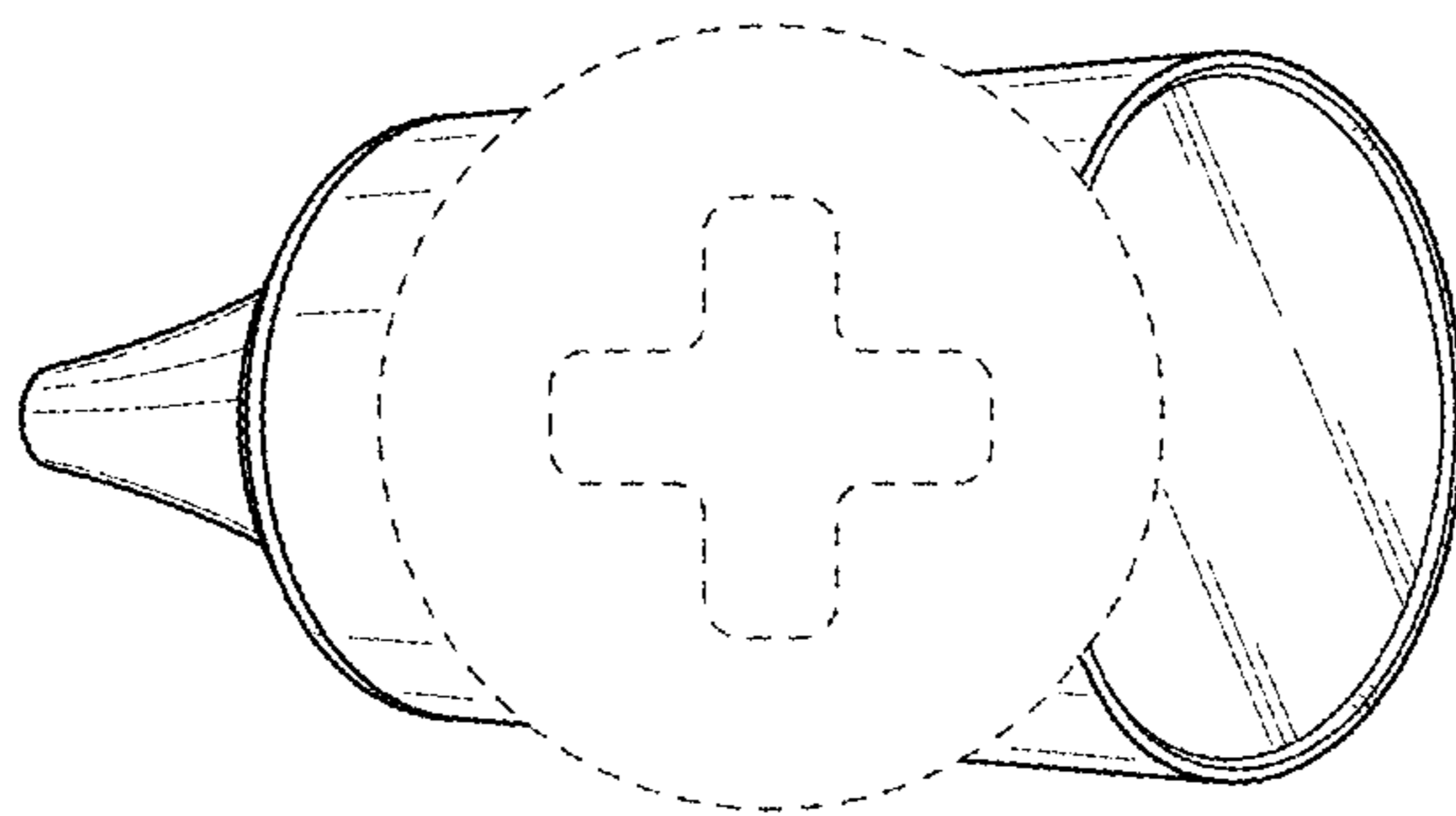


FIG. 8

