



US00D802129S

(12) **United States Design Patent**  
**Im et al.**

(10) **Patent No.:** **US D802,129 S**

(45) **Date of Patent:** **\*\* Nov. 7, 2017**

(54) **OTOSCOPE**

(71) Applicant: **Samsung Electronics Co., Ltd.**,  
Suwon-si, Gyeonggi-do (KR)

(72) Inventors: **Seungbin Im**, Yongin-si (KR);  
**Sungchan Ko**, Suwon-si (KR); **Euiju Lee**, Guri-si (KR); **Sangho Park**, Seoul (KR)

(73) Assignee: **SAMSUNG ELECTRONICS CO., LTD.**,  
Gyeonggi-Do (KR)

(\*\*) Term: **15 Years**

(21) Appl. No.: **29/535,616**

(22) Filed: **Aug. 7, 2015**

(30) **Foreign Application Priority Data**

Feb. 16, 2015 (KR) ..... 30-2015-0008468

(51) **LOC (10) Cl.** ..... **24-02**

(52) **U.S. Cl.**  
USPC ..... **D24/137**

(58) **Field of Classification Search**  
USPC ..... D24/133, 134, 137  
CPC ..... A61B 1/227  
See application file for complete search history.

(56) **References Cited**

**U.S. PATENT DOCUMENTS**

- D207,372 S \* 4/1967 Pulos ..... 600/200
- 3,373,737 A \* 3/1968 Connors ..... A61B 1/227  
200/60
- D221,109 S \* 7/1971 Heine ..... D24/137

- D238,099 S \* 12/1975 Pulos ..... D11/22
- D250,662 S \* 12/1978 Rieselman ..... 433/133
- 4,147,163 A \* 4/1979 Newman ..... A61B 1/227  
320/114
- D278,554 S \* 4/1985 Bain ..... D24/137
- D377,393 S \* 1/1997 Sams ..... D24/137
- D566,838 S \* 4/2008 Slawson ..... D24/137
- D776,810 S \* 1/2017 Tseng ..... D24/137

**FOREIGN PATENT DOCUMENTS**

- EM 000395306-0003 11/2005
- JP 677619 S 4/1986
- KR 30-0290603 S 2/2002
- KR 30-0409305 S 3/2006

\* cited by examiner

*Primary Examiner* — Robert M Spear

*Assistant Examiner* — Eliza Bennett-Hattan

(74) *Attorney, Agent, or Firm* — Cantor Colburn LLP

(57) **CLAIM**

The ornamental design for an otoscope, as shown and described.

**DESCRIPTION**

FIG. 1 is a perspective view of an otoscope, showing our new design;  
 FIG. 2 is a front view thereof;  
 FIG. 3 is a rear view thereof;  
 FIG. 4 is a left side view thereof;  
 FIG. 5 is a right side view thereof;  
 FIG. 6 is a top view thereof;  
 FIG. 7 is a bottom view thereof; and,  
 FIG. 8 is another perspective view thereof.  
 The broken lines showing portions of the otoscope form no part of the claimed design.

**1 Claim, 8 Drawing Sheets**

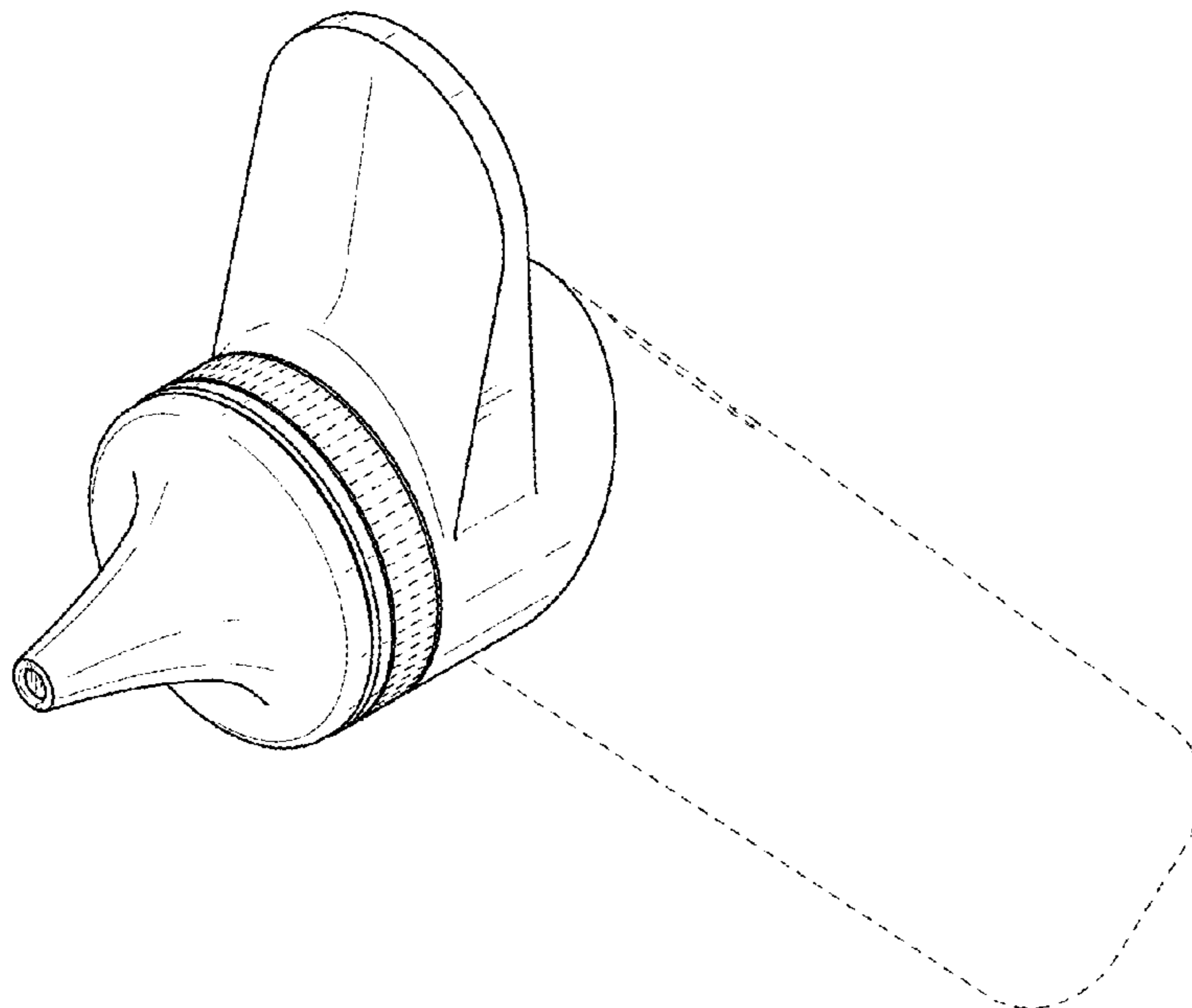


FIG. 1

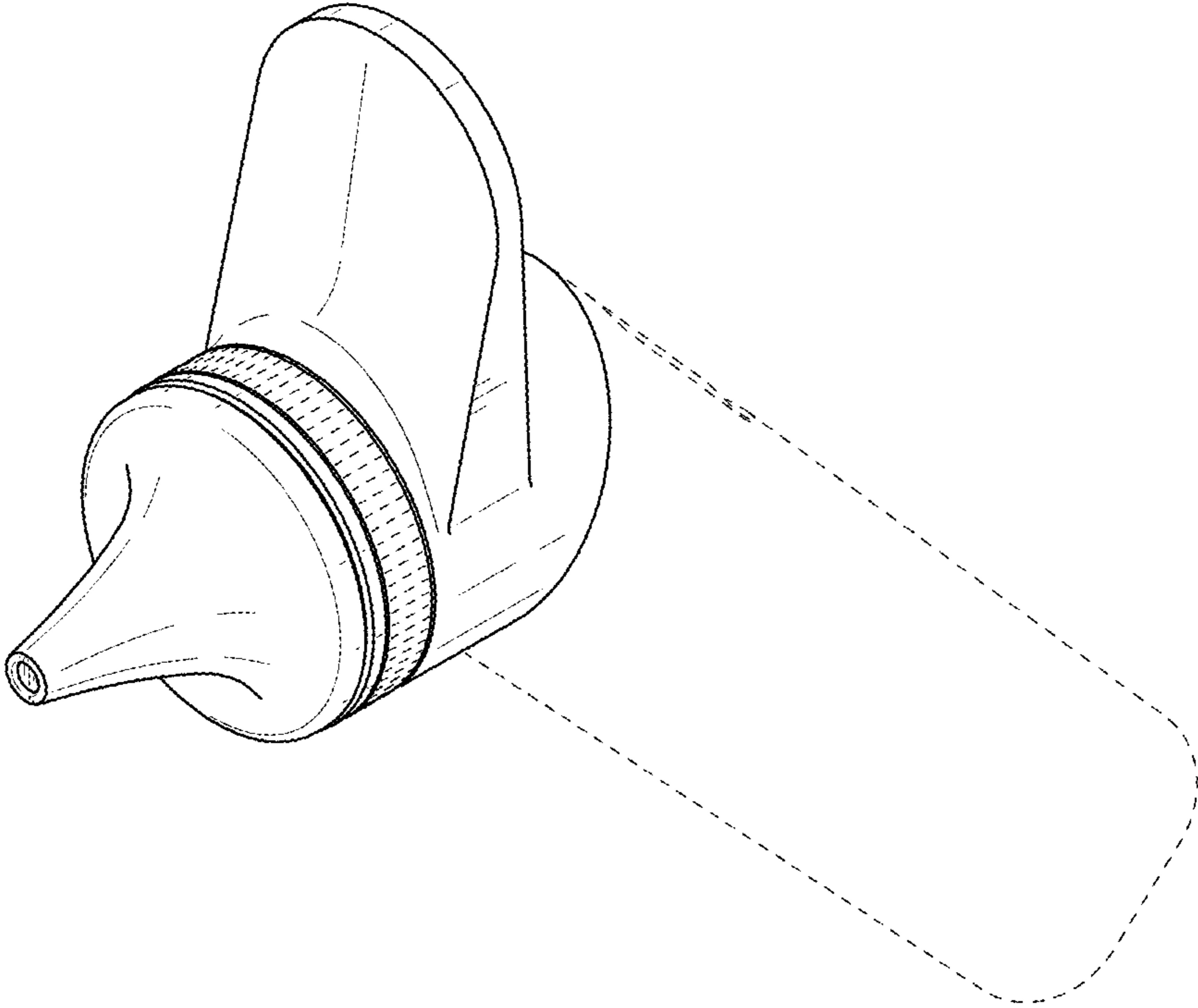


FIG. 2

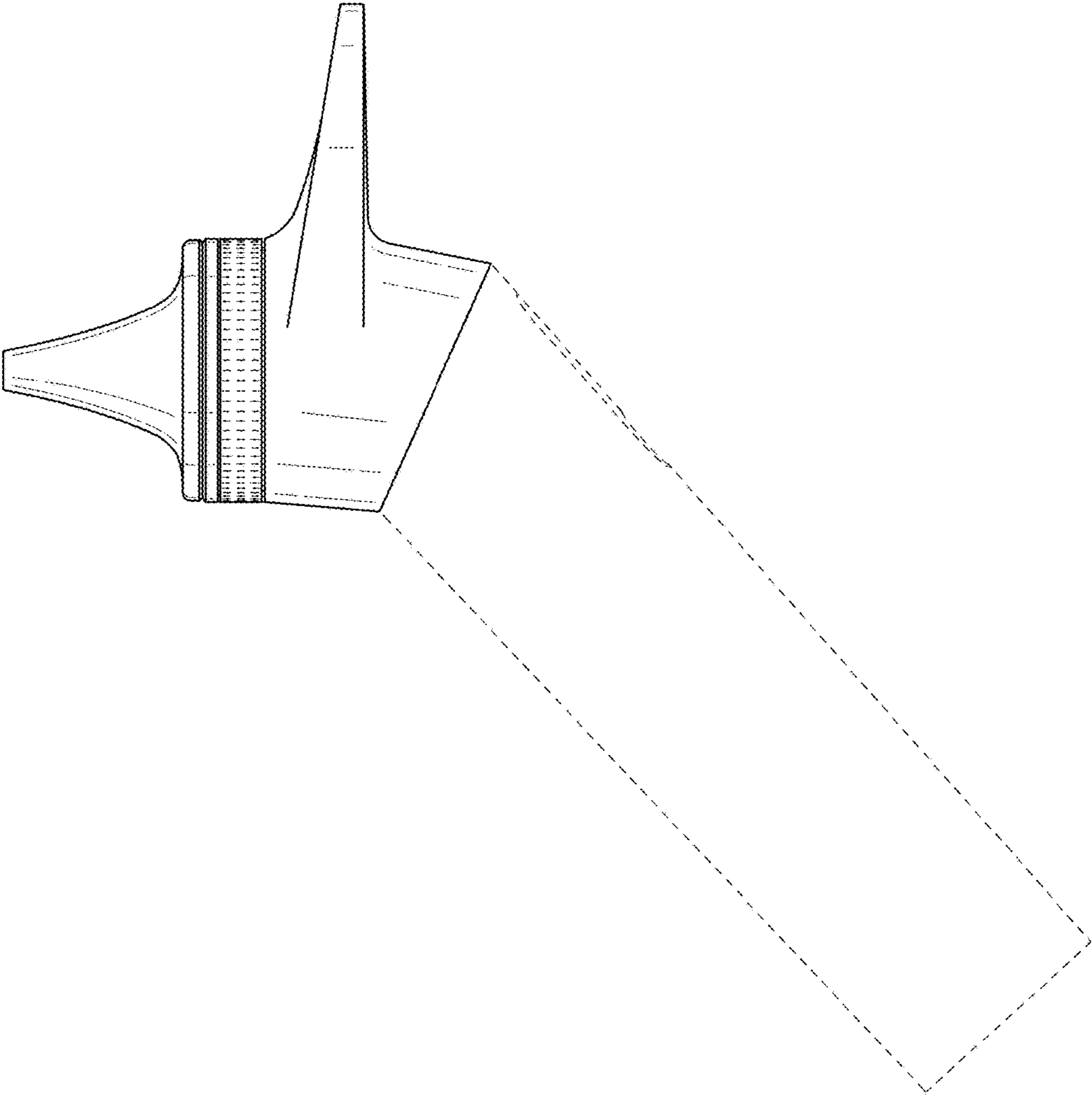


FIG. 3

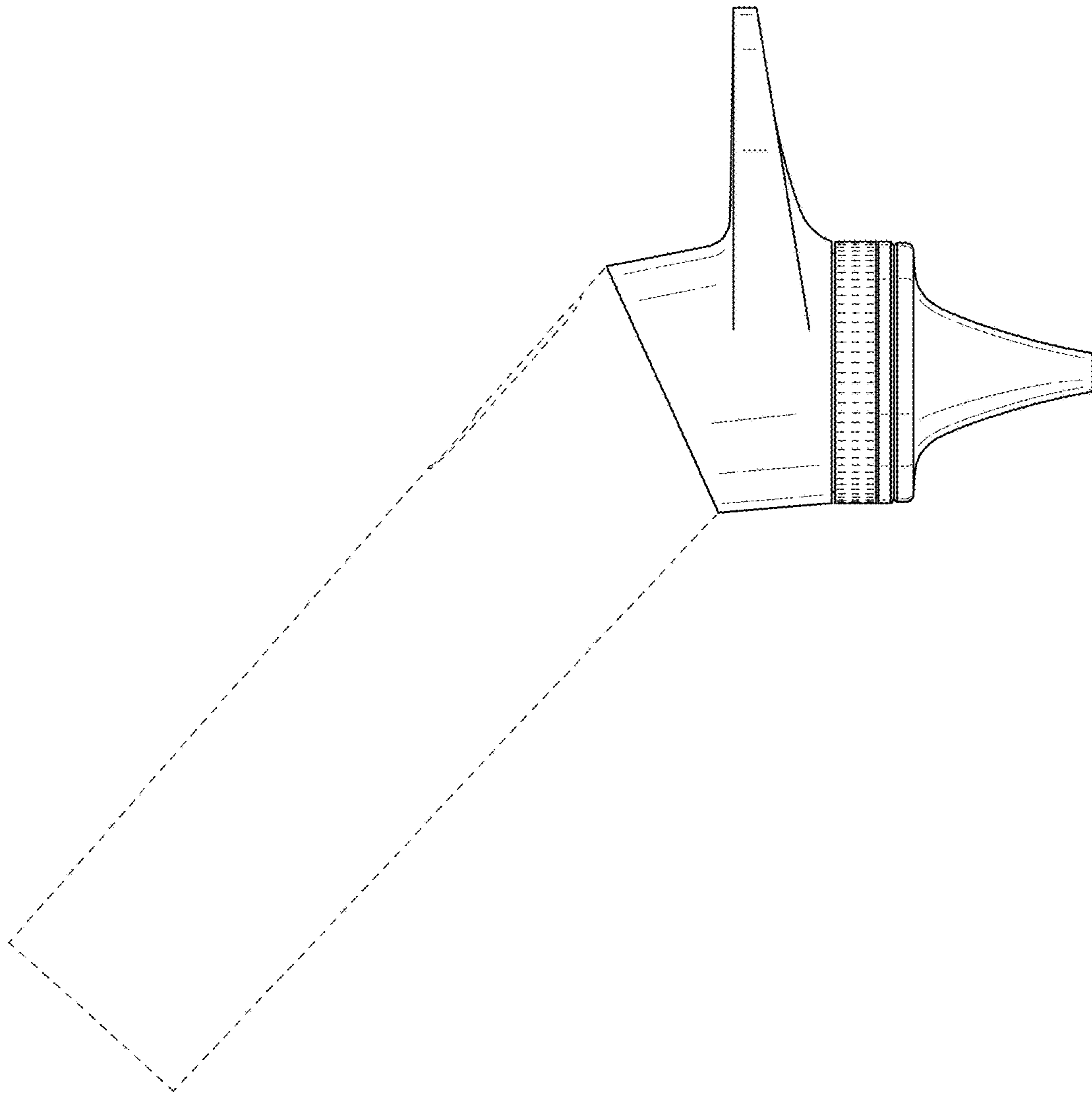


FIG. 4

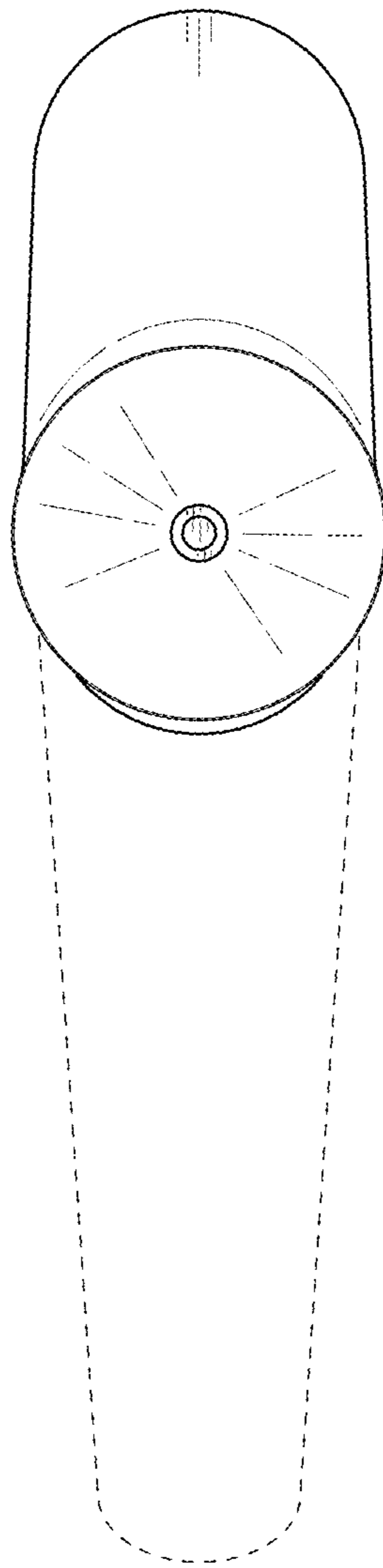


FIG. 5

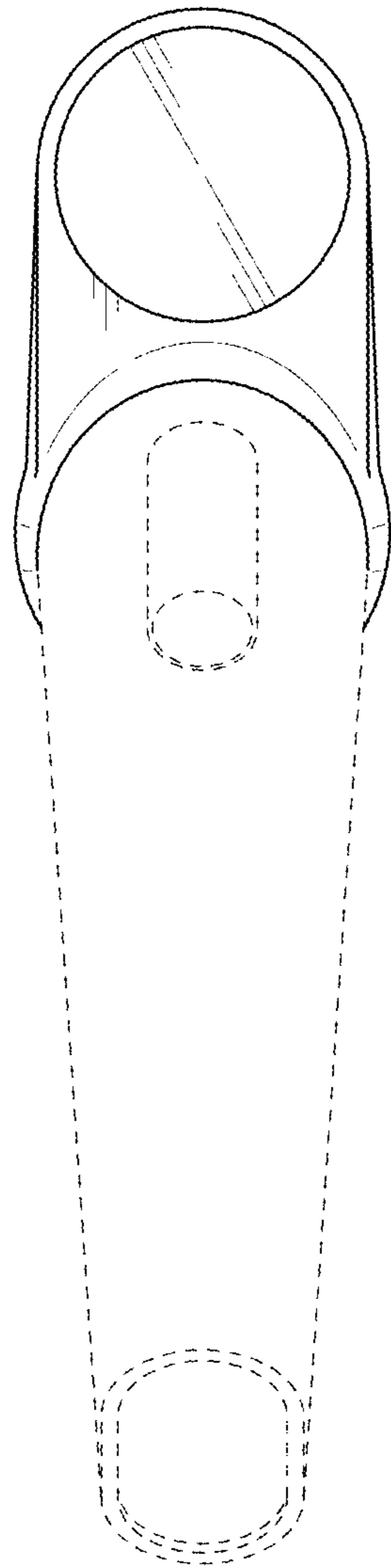


FIG. 6

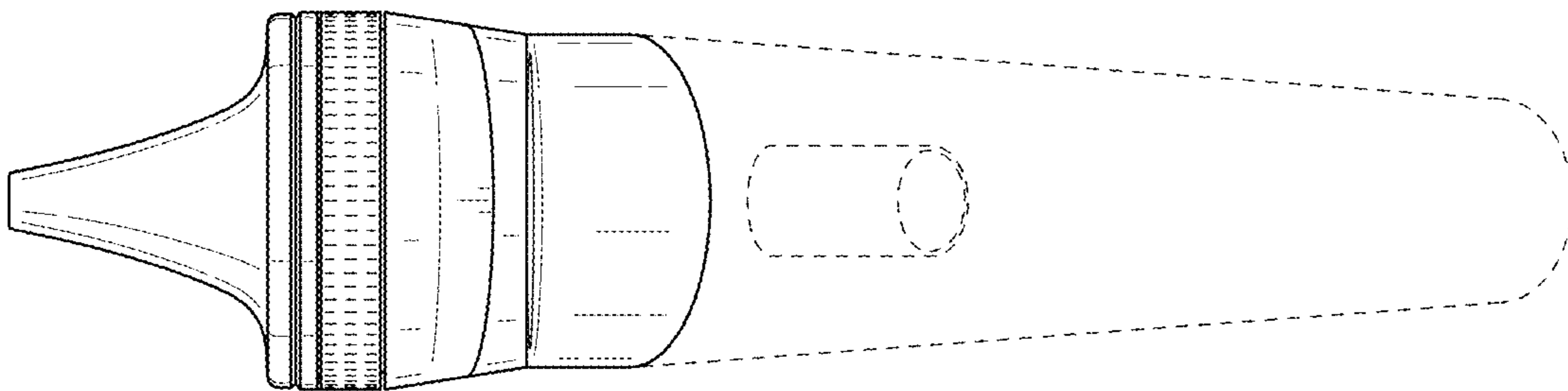


FIG. 7

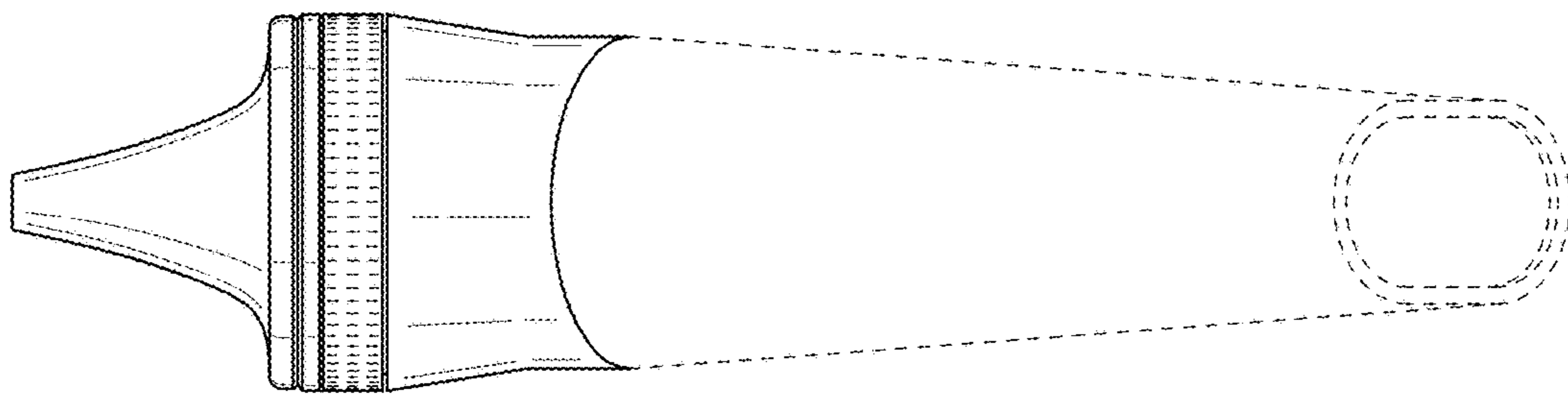




FIG. 8

