

US00D802128S

(12) **United States Design Patent**
Im et al.

(10) **Patent No.:** **US D802,128 S**

(45) **Date of Patent:** **** Nov. 7, 2017**

(54) **OTOSCOPE**

D741,476 S * 10/2015 Hiraoka D24/114
D759,816 S * 6/2016 Ingram D24/137
D776,275 S * 1/2017 Ben-Moshe D24/137

(71) Applicant: **Samsung Electronics Co., Ltd.**,
Suwon-si, Gyeonggi-do (KR)

* cited by examiner

(72) Inventors: **Seungbin Im**, Yongin-si (KR);
Sungchan Ko, Suwon-si (KR); **Euiju Lee**, Guri-si (KR); **Sangho Park**, Seoul (KR)

Primary Examiner — Robert M Spear

Assistant Examiner — Eliza Bennett-Hattan

(74) *Attorney, Agent, or Firm* — Cantor Colburn LLP

(73) Assignee: **SAMSUNG ELECTRONICS CO., LTD.**, Gyeonggi-Do (KR)

(**) Term: **15 Years**

(21) Appl. No.: **29/535,611**

(22) Filed: **Aug. 7, 2015**

(30) **Foreign Application Priority Data**

Feb. 16, 2015 (KR) 30-2015-0008467

(51) **LOC (10) Cl.** **24-02**

(52) **U.S. Cl.**
USPC **D24/137**

(58) **Field of Classification Search**
USPC D24/133, 134, 137
CPC A61B 1/227
See application file for complete search history.

(56) **References Cited**

U.S. PATENT DOCUMENTS

D265,504 S * 7/1982 Nash D24/137
D613,402 S * 4/2010 Roberts D24/137
D644,322 S * 8/2011 Py D24/112

(57) **CLAIM**

The ornamental design for an otoscope, as shown and described.

DESCRIPTION

FIG. 1 is a perspective view of an otoscope, showing our new design;

FIG. 2 is a front view thereof;

FIG. 3 is a rear view thereof;

FIG. 4 is a left side view thereof;

FIG. 5 is a right side view thereof;

FIG. 6 is a top view thereof;

FIG. 7 is a bottom view thereof; and,

FIG. 8 is another perspective view thereof.

The broken lines showing portions of the otoscope form no part of the claimed design.

1 Claim, 8 Drawing Sheets

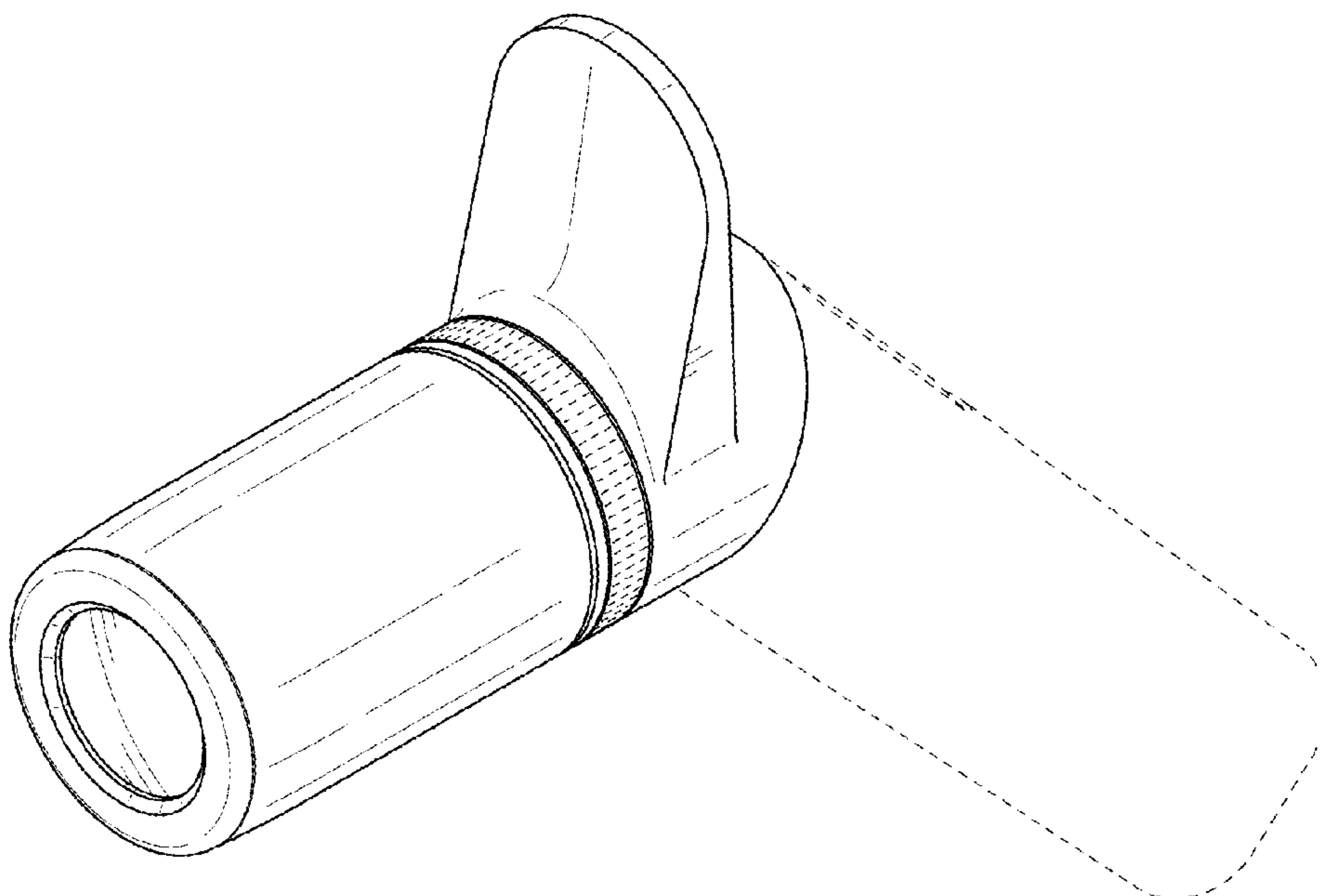


FIG. 1

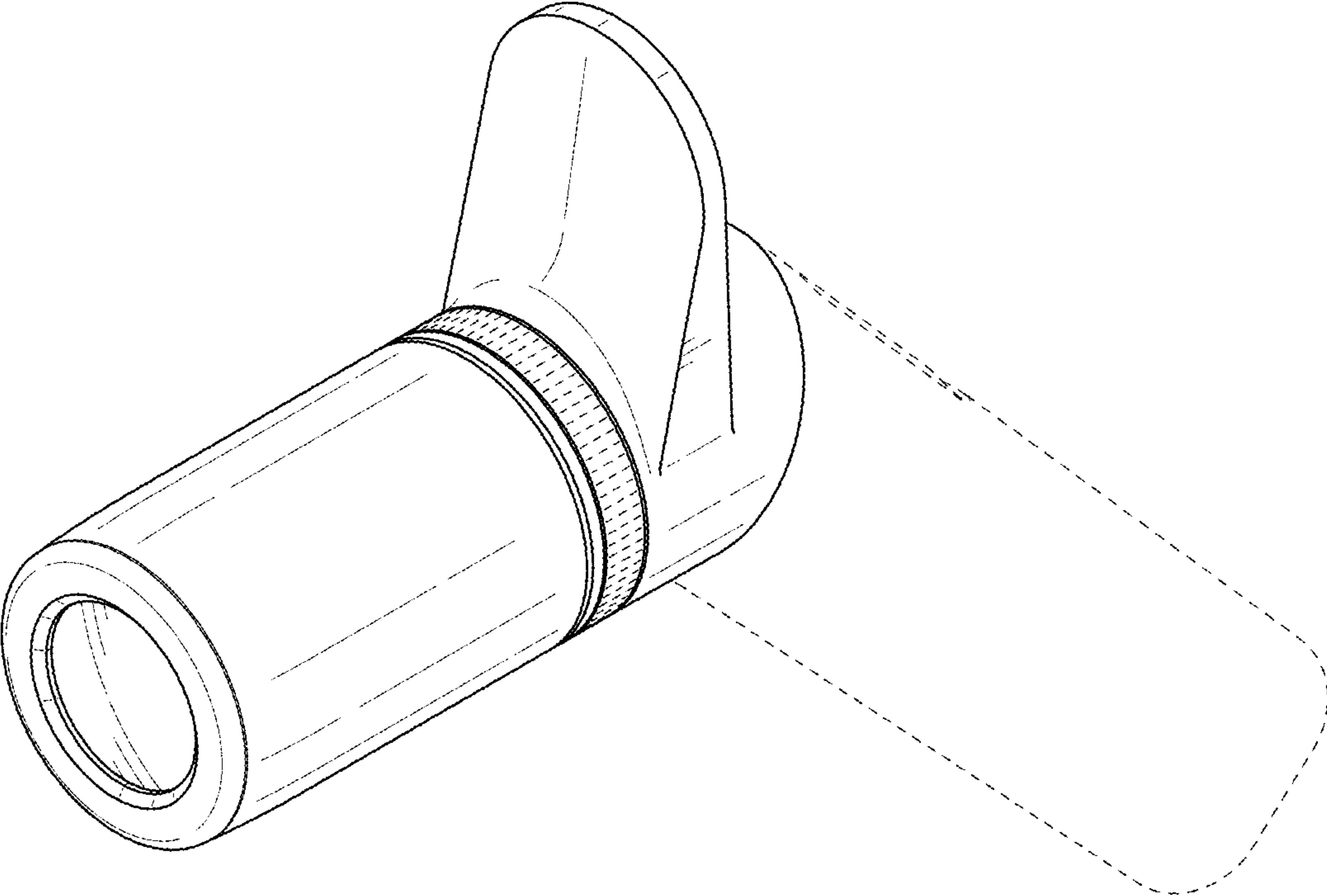


FIG. 2

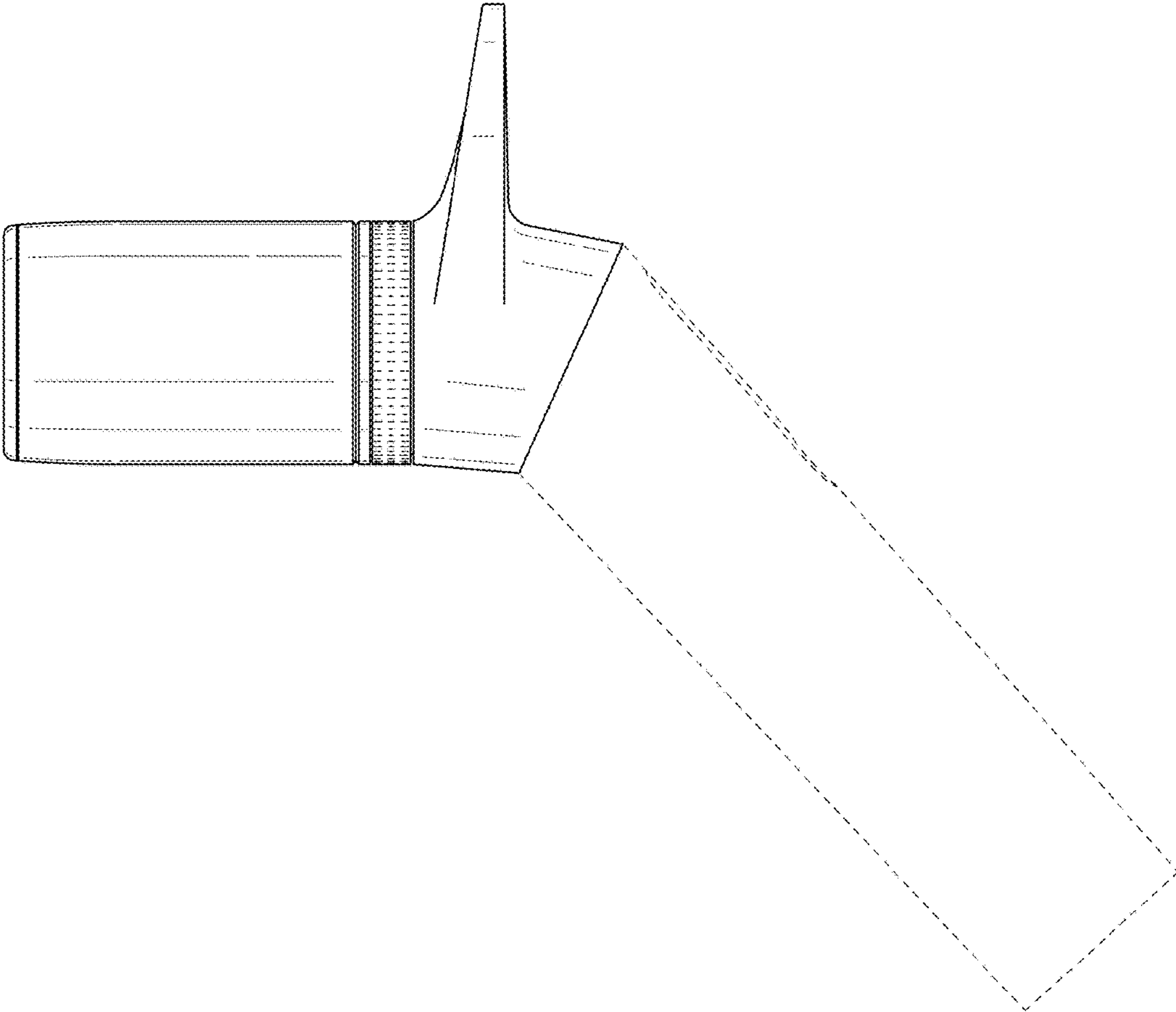


FIG. 3

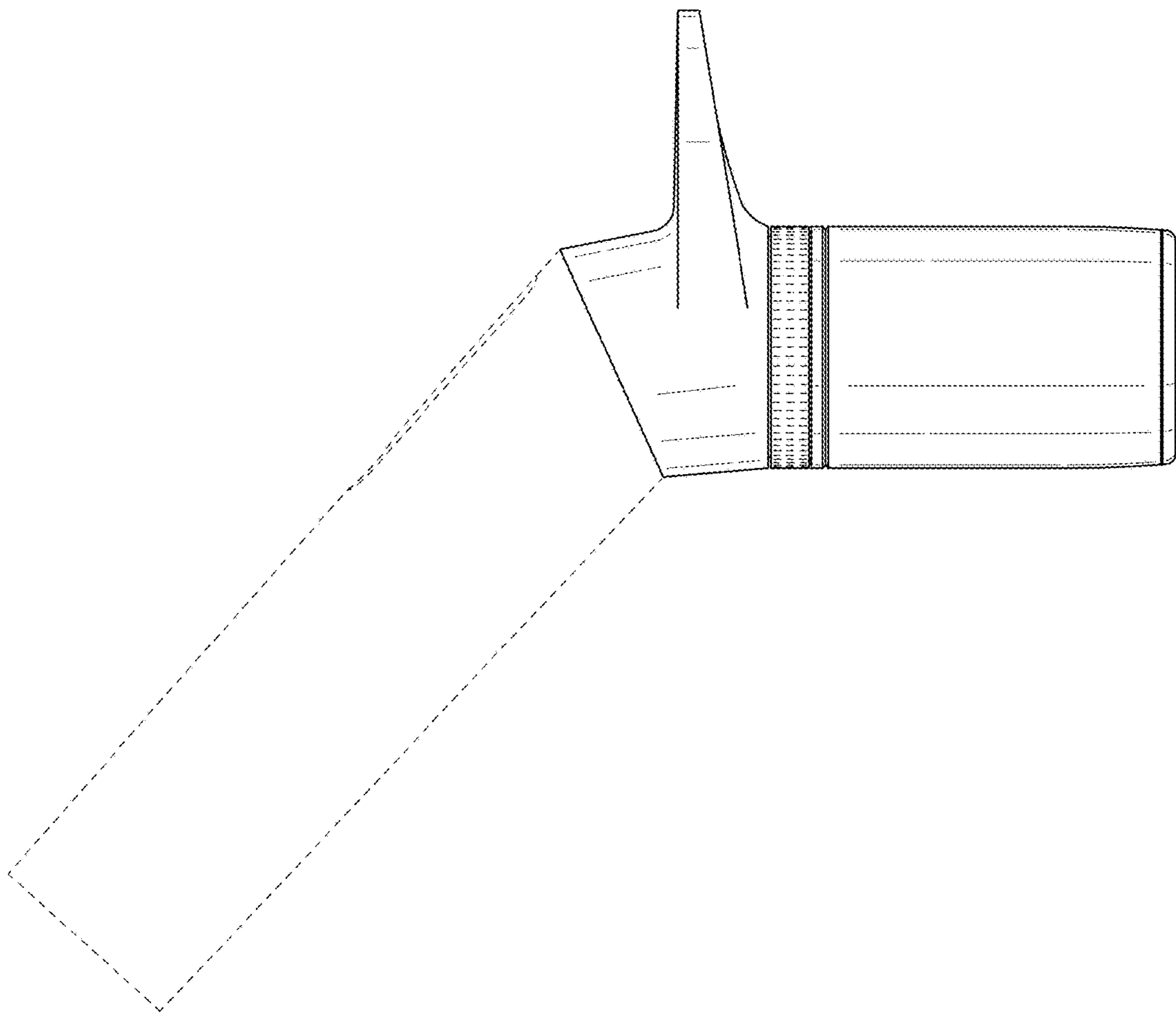


FIG. 4

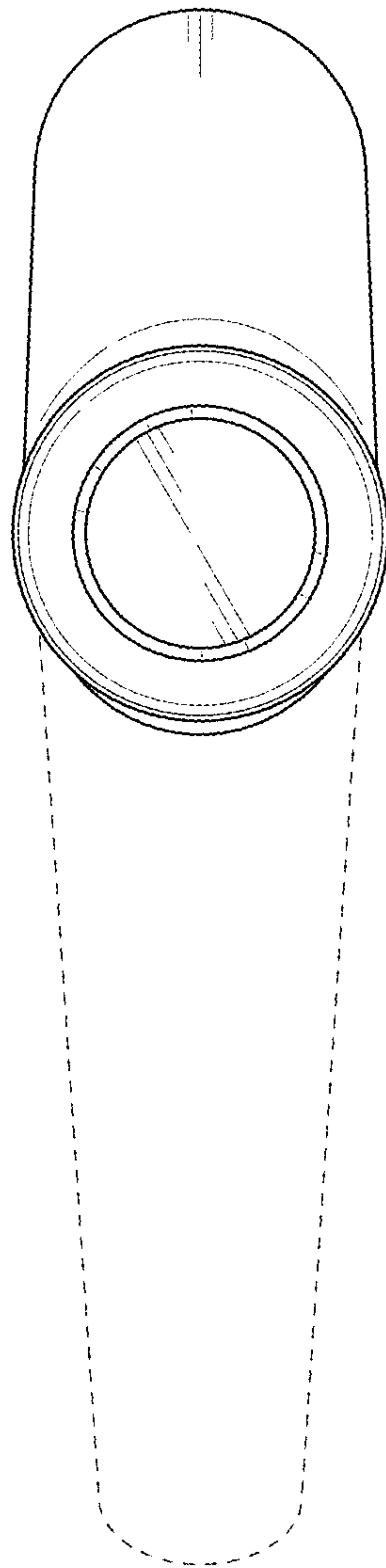


FIG. 5

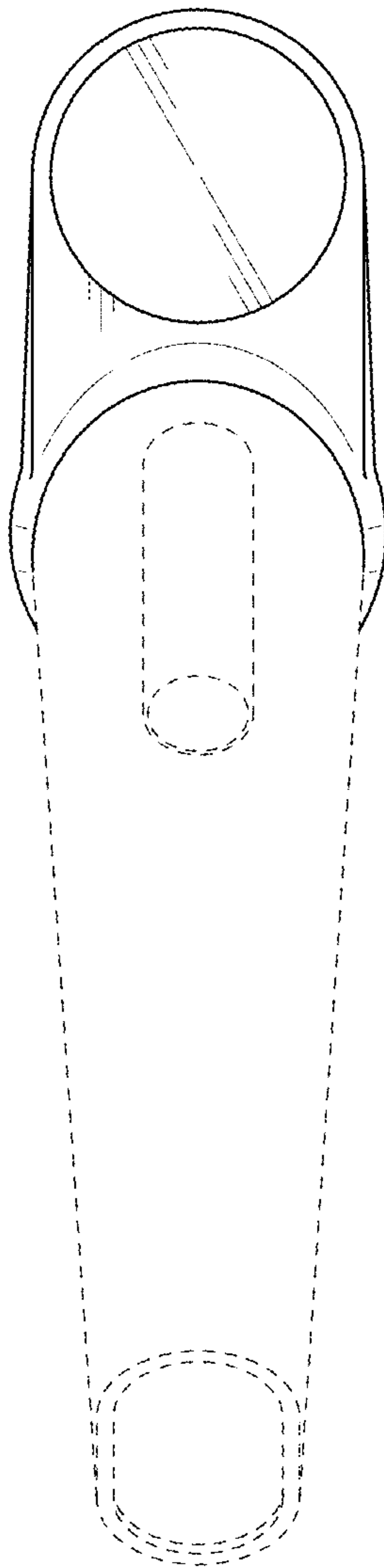


FIG. 6

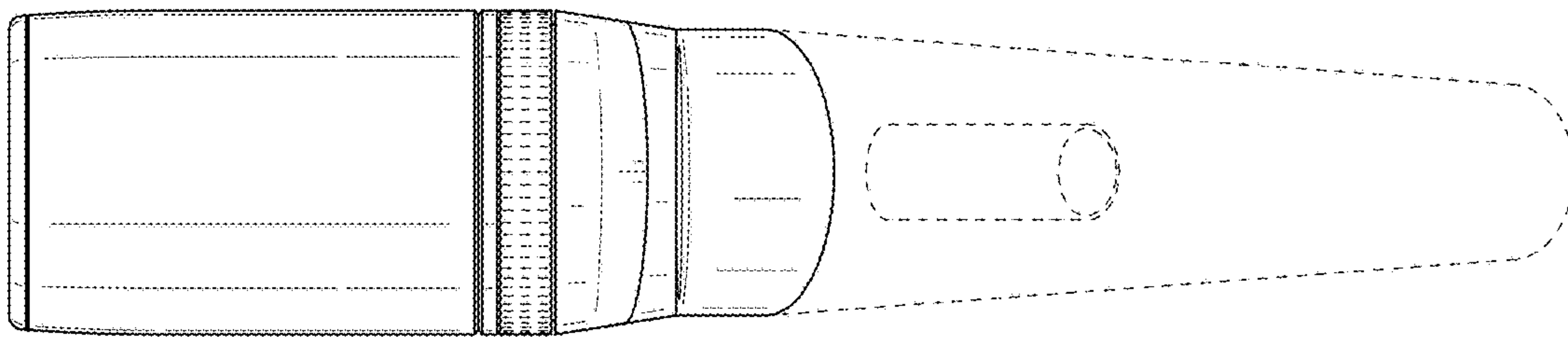


FIG. 7

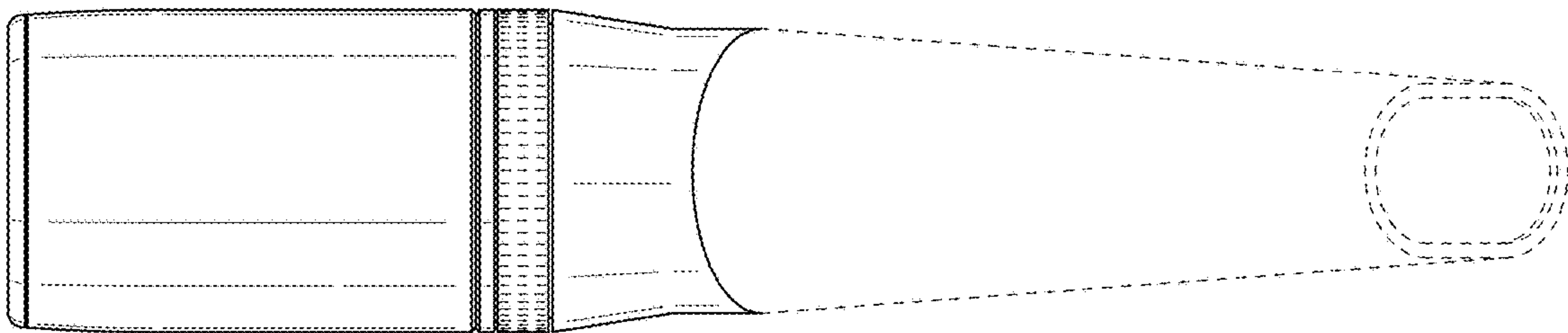


FIG. 8

