



US00D802127S

(12) **United States Design Patent** (10) **Patent No.:** **US D802,127 S**  
**Alexander et al.** (45) **Date of Patent:** **\*\* \*Nov. 7, 2017**

(54) **NASAL DILATOR**

FOREIGN PATENT DOCUMENTS

(71) Applicants: **Ian J. Alexander**, Los Alamos, NM  
(US); **Brian D. Owens**, Plano, TX (US)

CN 202179770 U 4/2012  
CN 102526868 B 12/2013

(72) Inventors: **Ian J. Alexander**, Los Alamos, NM  
(US); **Brian D. Owens**, Plano, TX (US)

OTHER PUBLICATIONS

CN102526868, Xiuxang Song—English Translation Jul. 4, 2012.  
CN202179770, Yongsheng Tian—English translation Apr. 4, 2012.

(73) Assignee: **SIMPLICITY, LLC**, Springville, UT  
(US)

*Primary Examiner* — Ian Simmons

*Assistant Examiner* — Samantha Q Lawrence

(\*) Notice: This patent is subject to a terminal disclaimer.

(74) *Attorney, Agent, or Firm* — Goodhue, Coleman & Owens, P.C.

(\*\*) Term: **14 Years**

(57) **CLAIM**

The ornamental design for nasal dilator, as shown and described.

(21) Appl. No.: **29/492,718**

**DESCRIPTION**

(22) Filed: **Jun. 2, 2014**

(51) **LOC (10) Cl.** ..... **24-02**

(52) **U.S. Cl.**  
USPC ..... **D24/135**

(58) **Field of Classification Search**  
USPC ..... D24/106, 133, 335, 136, 152, 153, 154,  
D24/156; 600/104, 156, 208, 233, 431;  
606/199; 604/94.101, 275, 514  
See application file for complete search history.

FIG. 1 is a perspective view of a nasal dilator showing our new design;  
FIG. 2 is an enlarged view of the left side of the nasal dilator shown in FIG. 1 taken along line 2;  
FIG. 3 is a front view of the nasal dilator;  
FIG. 4 is an enlarged view of the left side of the nasal dilator shown in FIG. 3 taken along line 4;  
FIG. 5 is a back view of the nasal dilator;  
FIG. 6 is an enlarged view of the left side of the nasal dilator shown in FIG. 5 taken along line 6;  
FIG. 7 is a top view of the nasal dilator;  
FIG. 8 is an enlarged view of the left side of the nasal dilator shown in FIG. 7 taken along line 8;  
FIG. 9 is an end view of the right side of the nasal dilator;  
FIG. 10 is an enlarged view of FIG. 9;  
FIG. 11 is an end view of the left side of the nasal dilator;  
and,  
FIG. 12 is an enlarged view of FIG. 11.  
In the drawings, the broken lines represent features of the nasal dilator that form no part of the claimed design.

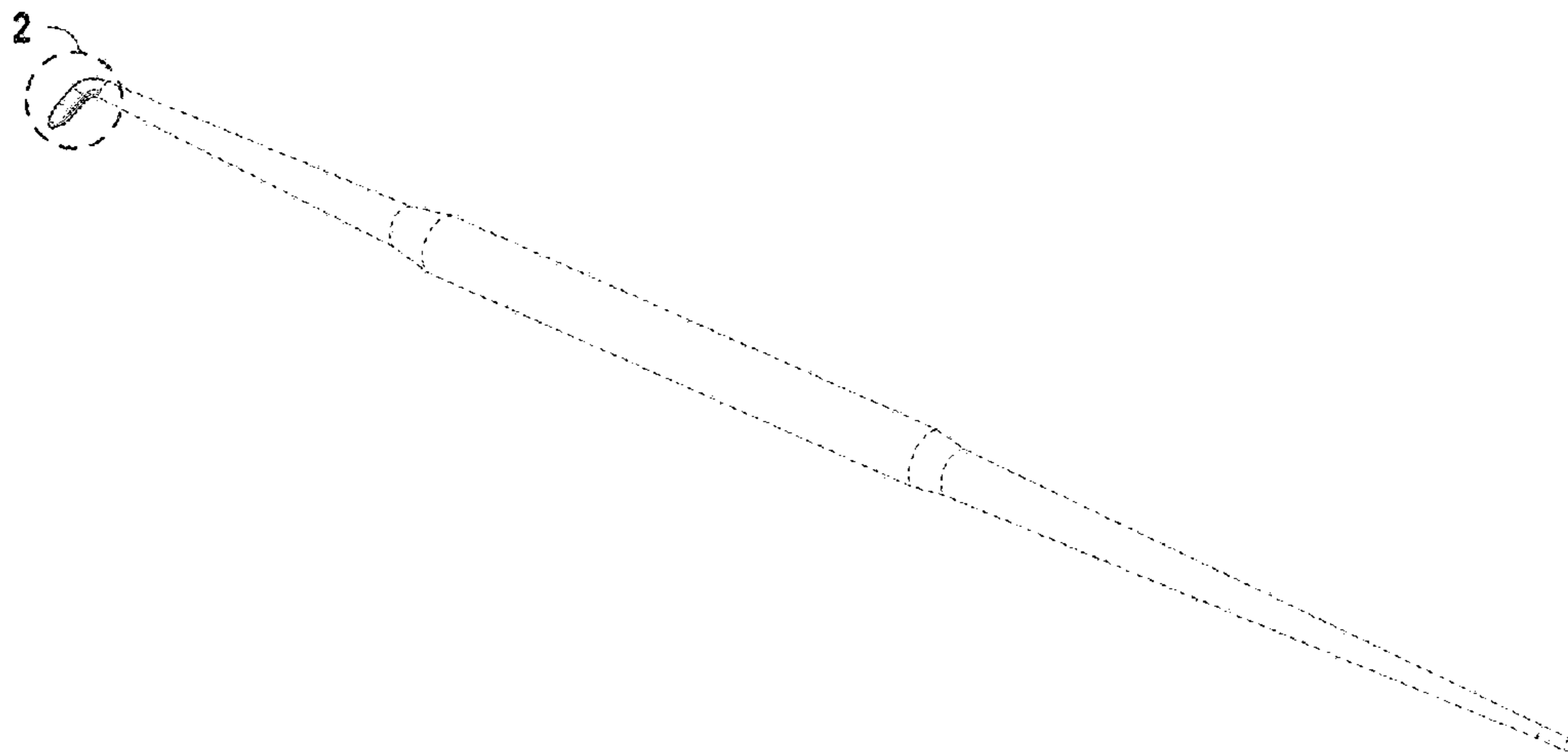
(56) **References Cited**

U.S. PATENT DOCUMENTS

D247,512 S \* 3/1978 Sandler ..... 606/191  
D258,688 S \* 3/1981 Hodge ..... D24/112  
D269,206 S \* 5/1983 Glassman ..... D24/135  
5,207,702 A \* 5/1993 Pearl ..... A61B 17/2812  
606/207  
5,284,128 A \* 2/1994 Hart ..... A61B 17/00234  
600/208  
D379,227 S 5/1997 Rosen  
D382,342 S 8/1997 Rosen  
D436,174 S 1/2001 Komamura

(Continued)

**1 Claim, 5 Drawing Sheets**



(56)

References Cited

U.S. PATENT DOCUMENTS

D438,954 S	3/2001	Orsing		D665,076 S *	8/2012	Sauer	.....	D24/133
D439,979 S	4/2001	Strobel et al.		D666,292 S *	8/2012	Miles	.....	D24/135
D442,687 S	5/2001	Schulz		D666,293 S *	8/2012	Miles	.....	D24/135
6,241,729 B1 *	6/2001	Estes	..... A61B 17/025	8,679,103 B2	3/2014	Krespi		
			606/86 R	8,721,591 B2	5/2014	Chang et al.		
D453,378 S	2/2002	Mangione		8,834,513 B2 *	9/2014	Hanson	.....	A61B 17/24
D460,555 S *	7/2002	Holbrook	.....					606/191
D485,358 S	1/2004	Woo		D724,725 S *	3/2015	Chang	.....	D24/133
D516,722 S	3/2006	Mak		D735,856 S *	8/2015	Koch	.....	D24/147
D531,727 S	11/2006	Mak		9,138,569 B2 *	9/2015	Edgren	.....	A61F 2/04
D571,468 S *	6/2008	Wu	.....	2004/0073141 A1	4/2004	Hartley et al.		
D571,913 S *	6/2008	Wu	.....	2010/0071857 A1	3/2010	Hung		
7,771,409 B2	8/2010	Chang et al.		2010/0198247 A1	8/2010	Chang et al.		
D623,741 S	9/2010	Kupferschmid et al.		2010/0203474 A1	8/2010	Chen		
7,803,150 B2	9/2010	Chang et al.		2011/0021975 A1	1/2011	Covello		
D627,460 S *	11/2010	Horton	.....	2011/0022172 A1	1/2011	Gonzales et al.		
D629,896 S	12/2010	Horton		2012/0053404 A1	3/2012	Schreck et al.		
D631,962 S	2/2011	Dorman		2012/0071857 A1	3/2012	Goldfarb et al.		
D644,737 S *	9/2011	Sonoi	.....	2012/0330345 A1	12/2012	Tasca		
D648,021 S	11/2011	Dorman		2013/0253567 A1	9/2013	Edgren et al.		
8,172,828 B2	5/2012	Chang et al.		2013/0274600 A1 *	10/2013	Jenkins	.....	A61B 1/07
8,182,432 B2	5/2012	Kim et al.						600/431
				2015/0066071 A1 *	3/2015	Alexander	.....	A61F 5/08
								606/199

\* cited by examiner

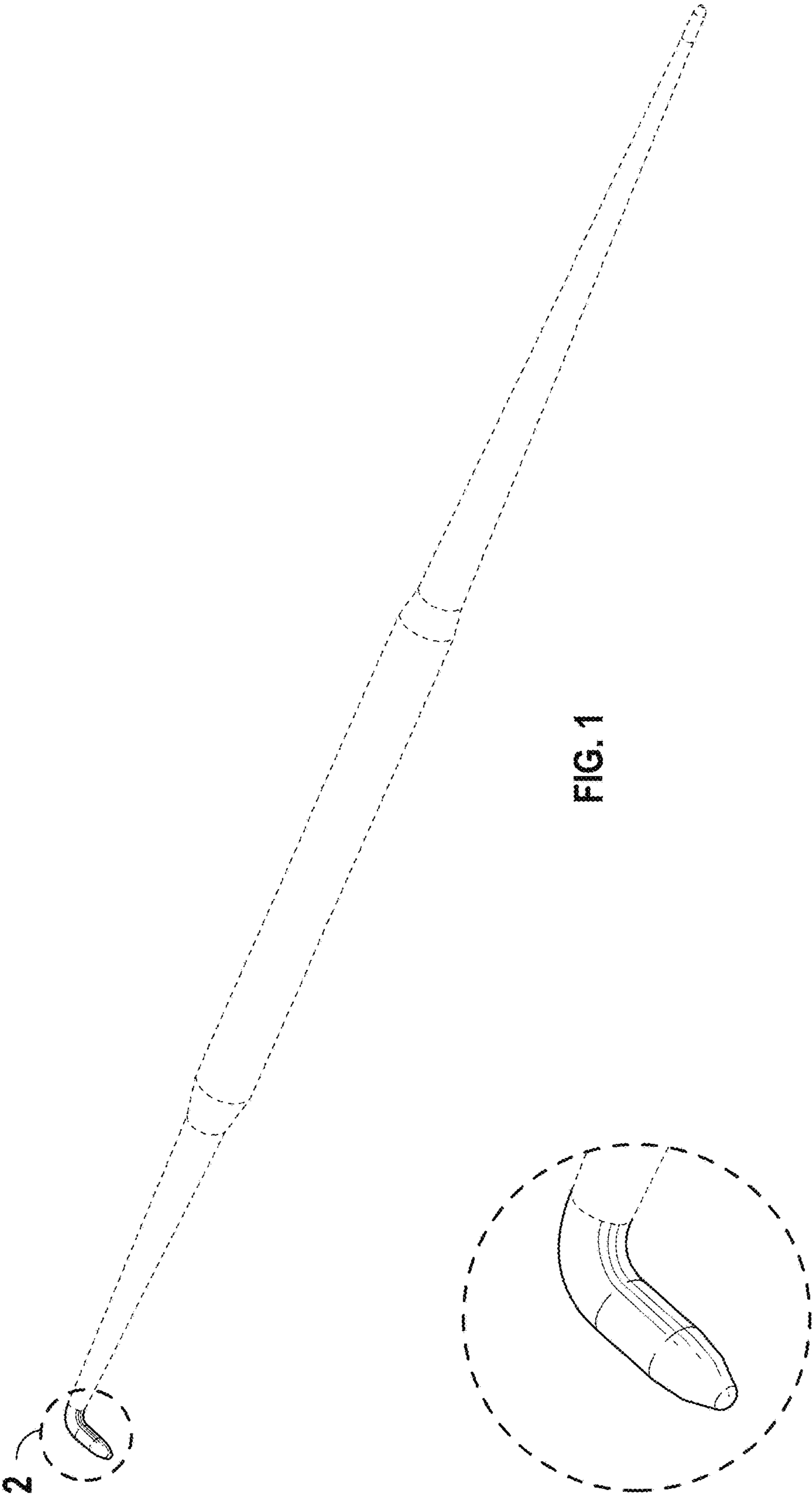


FIG. 1

FIG. 2

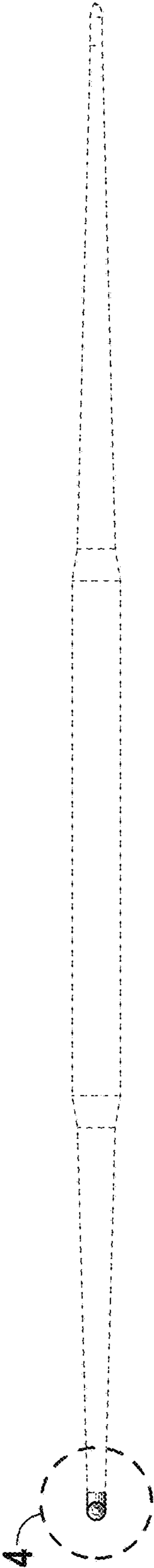


FIG. 3

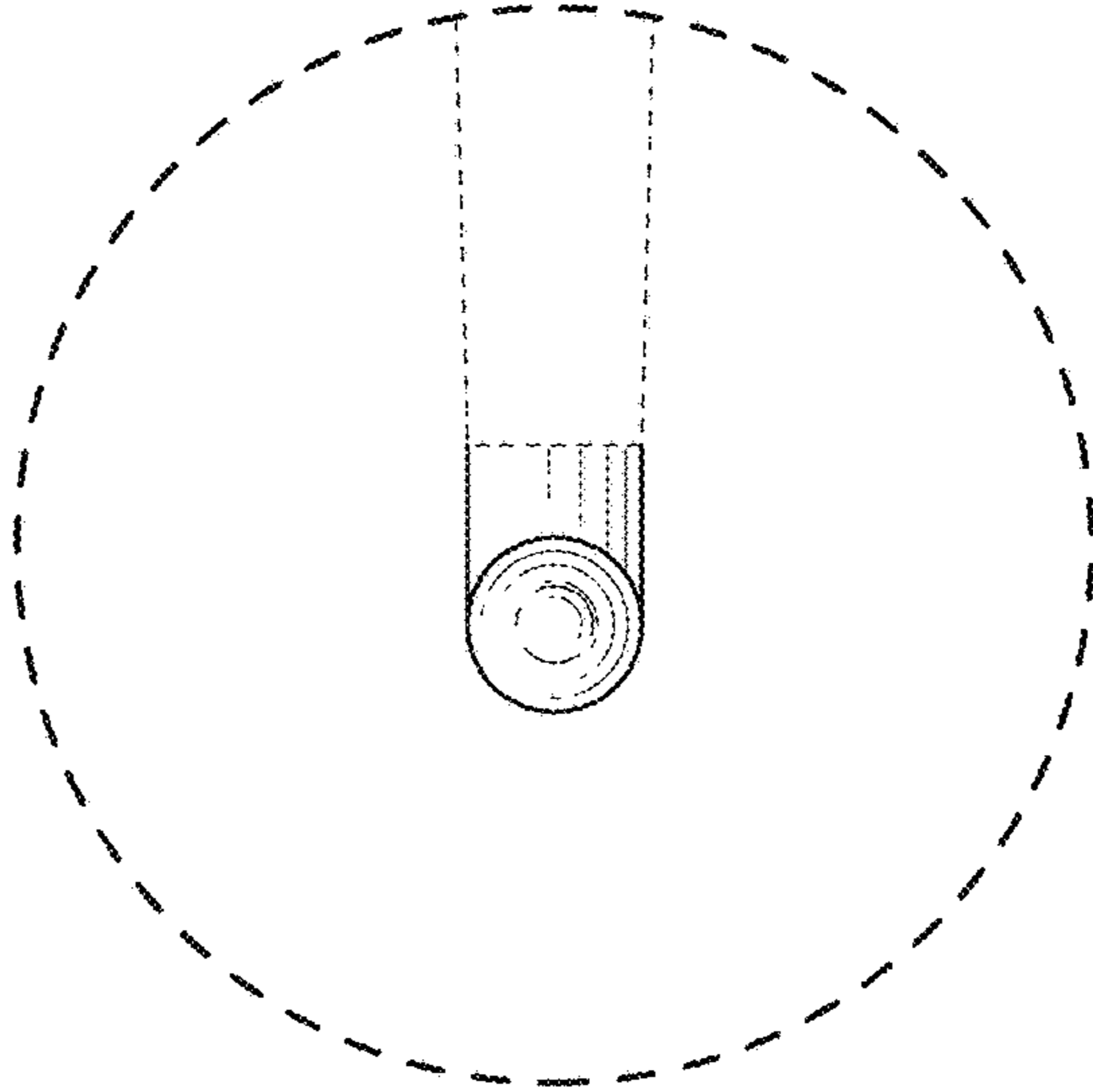


FIG. 4

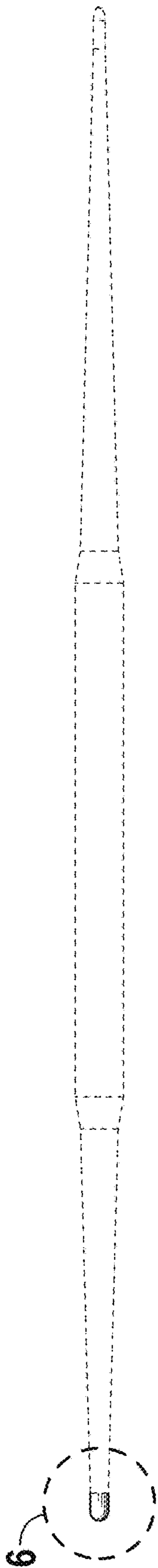


FIG. 5

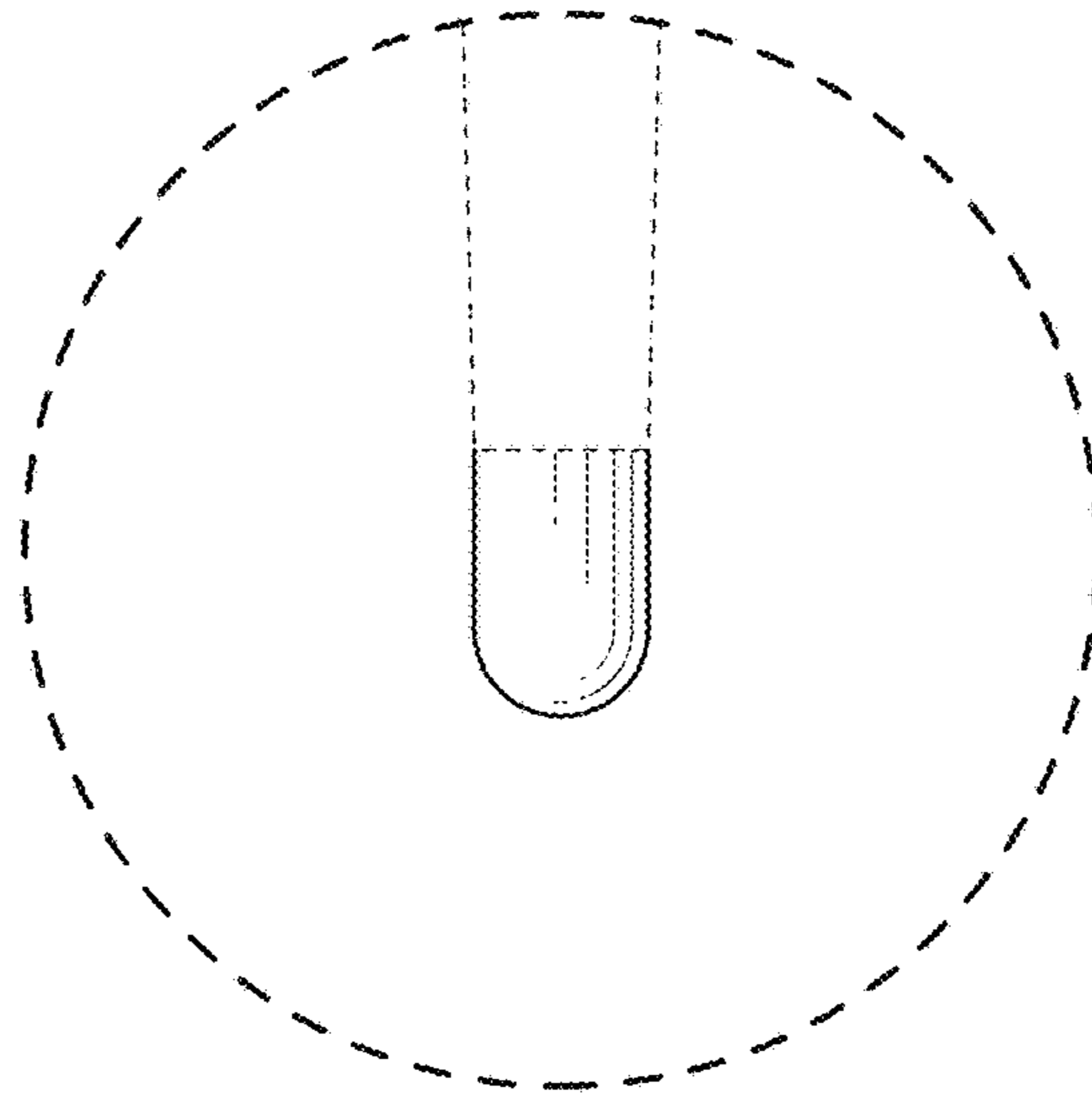


FIG. 6

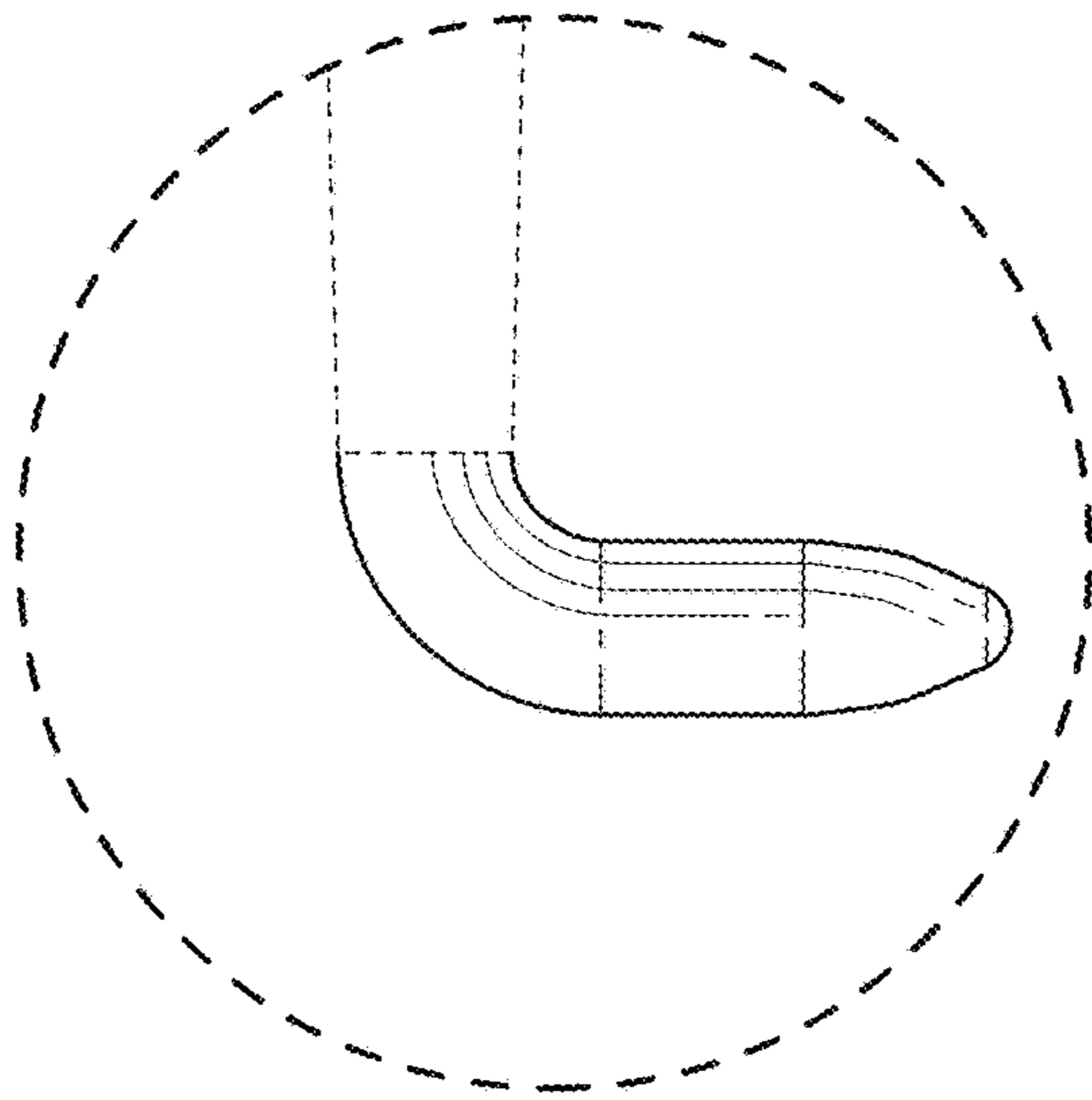
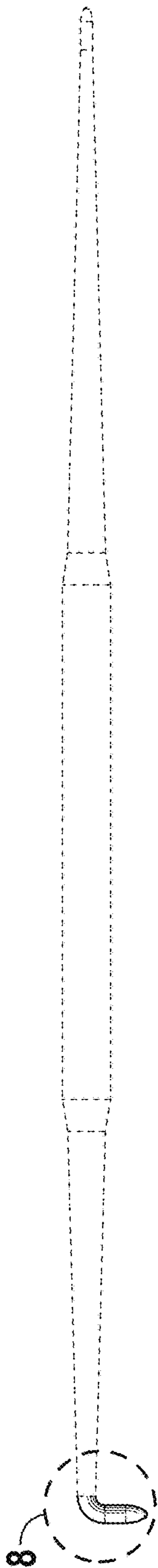


FIG. 8

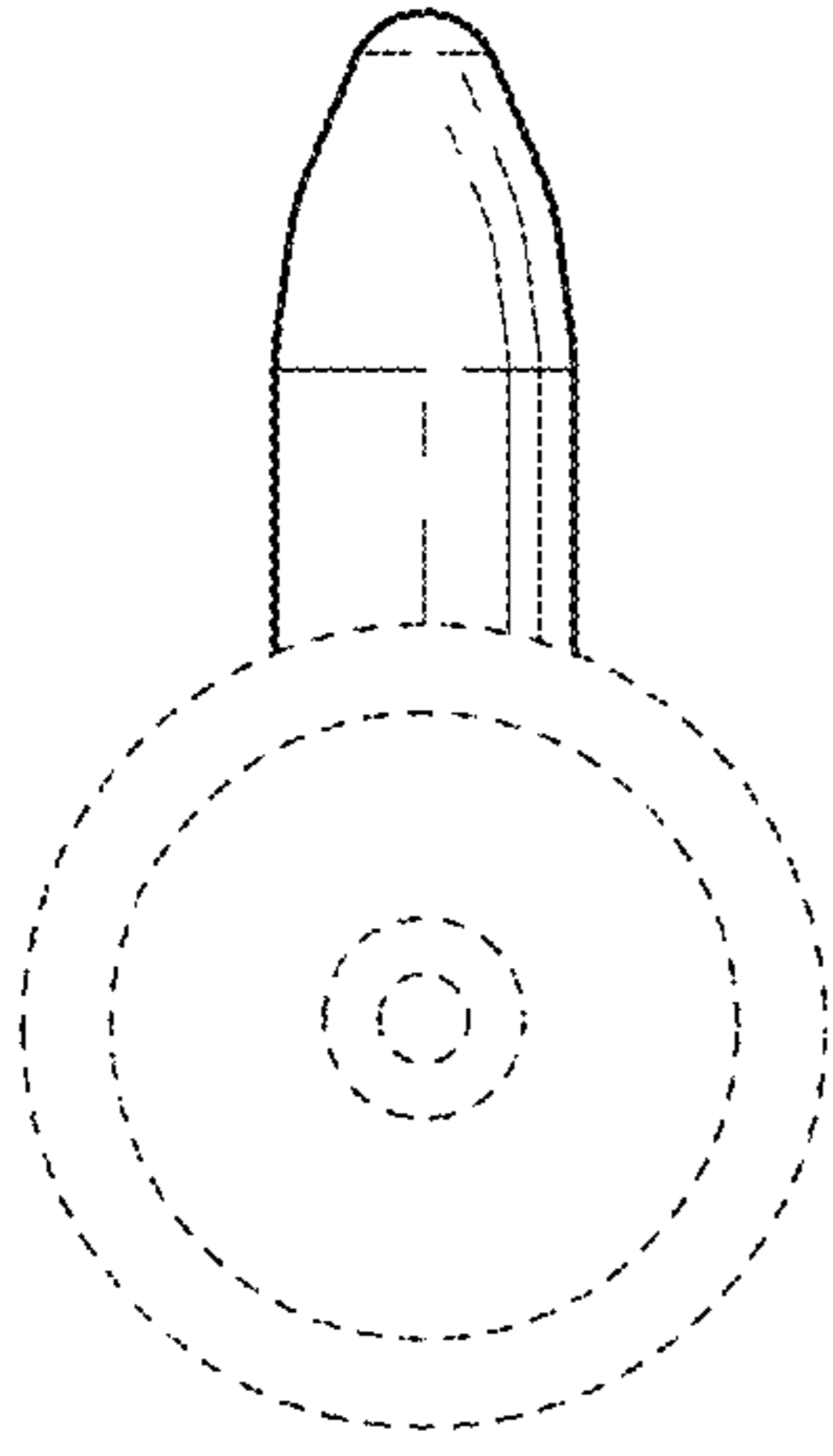


FIG. 9

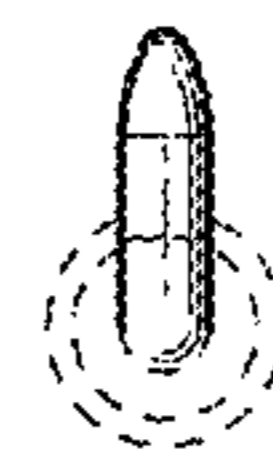


FIG. 10

FIG. 11

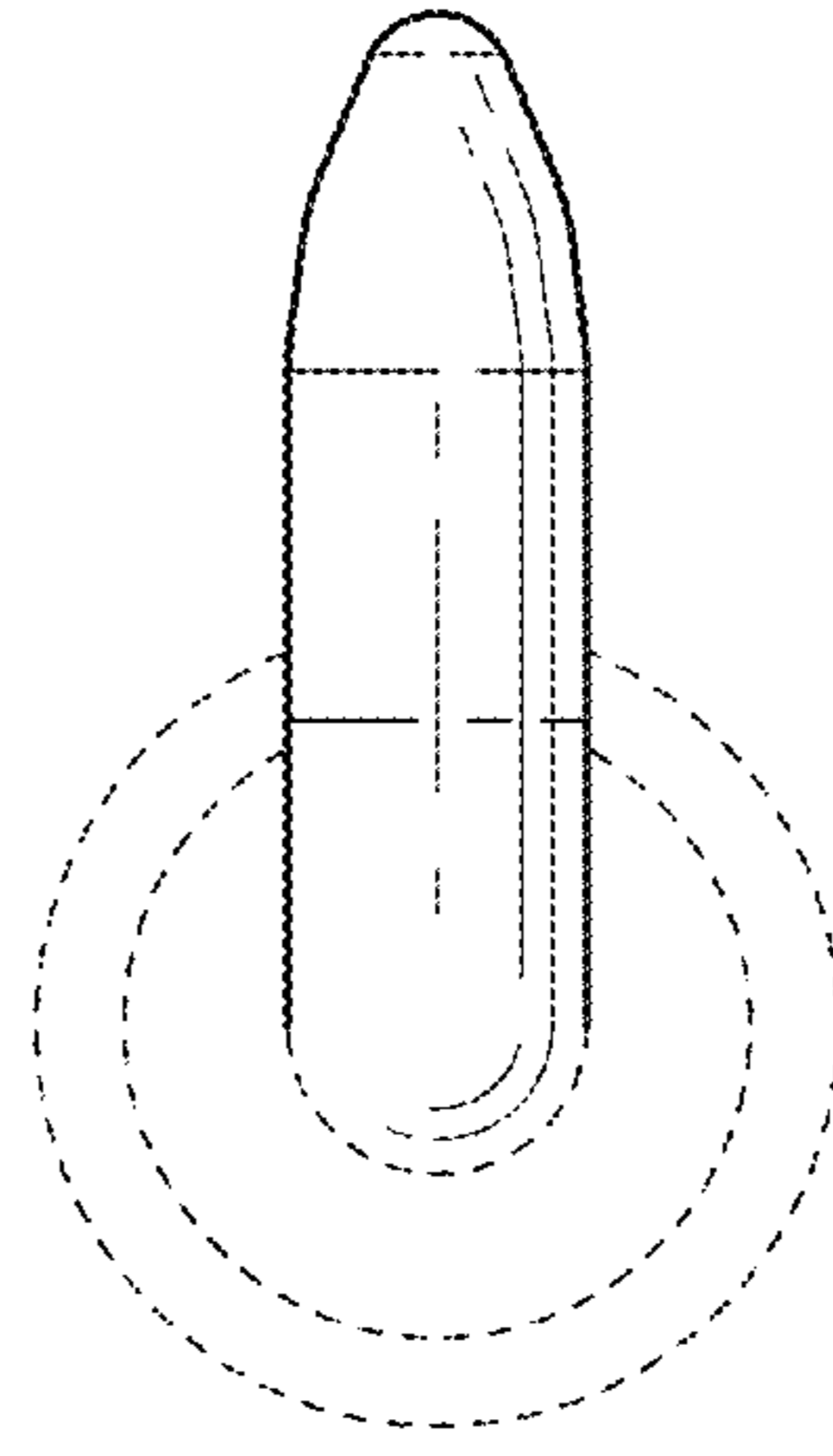


FIG. 12