



US00D802126S

(12) **United States Design Patent** (10) **Patent No.:** **US D802,126 S**
Schiller et al. (45) **Date of Patent:** **** Nov. 7, 2017**

(54) **FLANGE EXTENDER**

(56) **References Cited**

(71) Applicant: **BRISTOL-MYERS SQUIBB COMPANY**, Princeton, NJ (US)
(72) Inventors: **Eric Schiller**, Westfield, NJ (US);
Christina Joy Laskar, Fort Lee, NJ (US); **Mitali Aon**, Martinsville, NJ (US); **Richard Caizza**, Union City, NJ (US); **Jon Bell**, Waldwick, NJ (US)
(73) Assignee: **BRISTOL-MYERS SQUIBB COMPANY**, Princeton, NJ (US)
(**) Term: **15 Years**
(21) Appl. No.: **29/592,766**
(22) Filed: **Feb. 2, 2017**

U.S. PATENT DOCUMENTS

4,981,476 A * 1/1991 Aichlmayr A61M 5/3213
206/365
D449,379 S * 10/2001 Fuhr D24/133
D576,276 S * 9/2008 Osypka D24/130
D581,044 S * 11/2008 Sudo D24/130
D581,045 S * 11/2008 Sudo D24/130
D602,158 S * 10/2009 Cuevas D24/128
D649,241 S * 11/2011 Kunishige D24/129
D660,418 S * 5/2012 Kuczek D24/130
D675,317 S * 1/2013 Baxter D24/130
D702,835 S * 4/2014 Vinchon D24/130
8,887,729 B2 * 11/2014 Harrington A61M 16/0465
128/207.14
D751,705 S * 3/2016 Hitscherich, Jr. D24/130
D757,258 S * 5/2016 WeißHaupt et al. D24/127

* cited by examiner

Primary Examiner — David Muller
(74) *Attorney, Agent, or Firm* — McDonnell Boehnen Hulbert & Berghoff LLP

Related U.S. Application Data

(60) Division of application No. 29/549,055, filed on Dec. 18, 2015, which is a continuation of application No. 13/180,070, filed on Jul. 11, 2011, now abandoned.
(51) **LOC (10) Cl.** **24-02**
(52) **U.S. Cl.**
USPC **D24/130**
(58) **Field of Classification Search**
USPC D24/127–131, 112–114, 133, 186;
606/181, 185; 604/264, 523–528, 272,
604/187, 158, 164.01–164.11, 181, 184,
604/227; 600/101, 139, 143;
128/200.24, 207.14, 207.15
CPC A61M 5/178; A61M 3/00; A61M 5/20;
A61M 5/31; A61M 5/3146; A61M
5/3129; A61M 5/3148; A61M 5/315
See application file for complete search history.

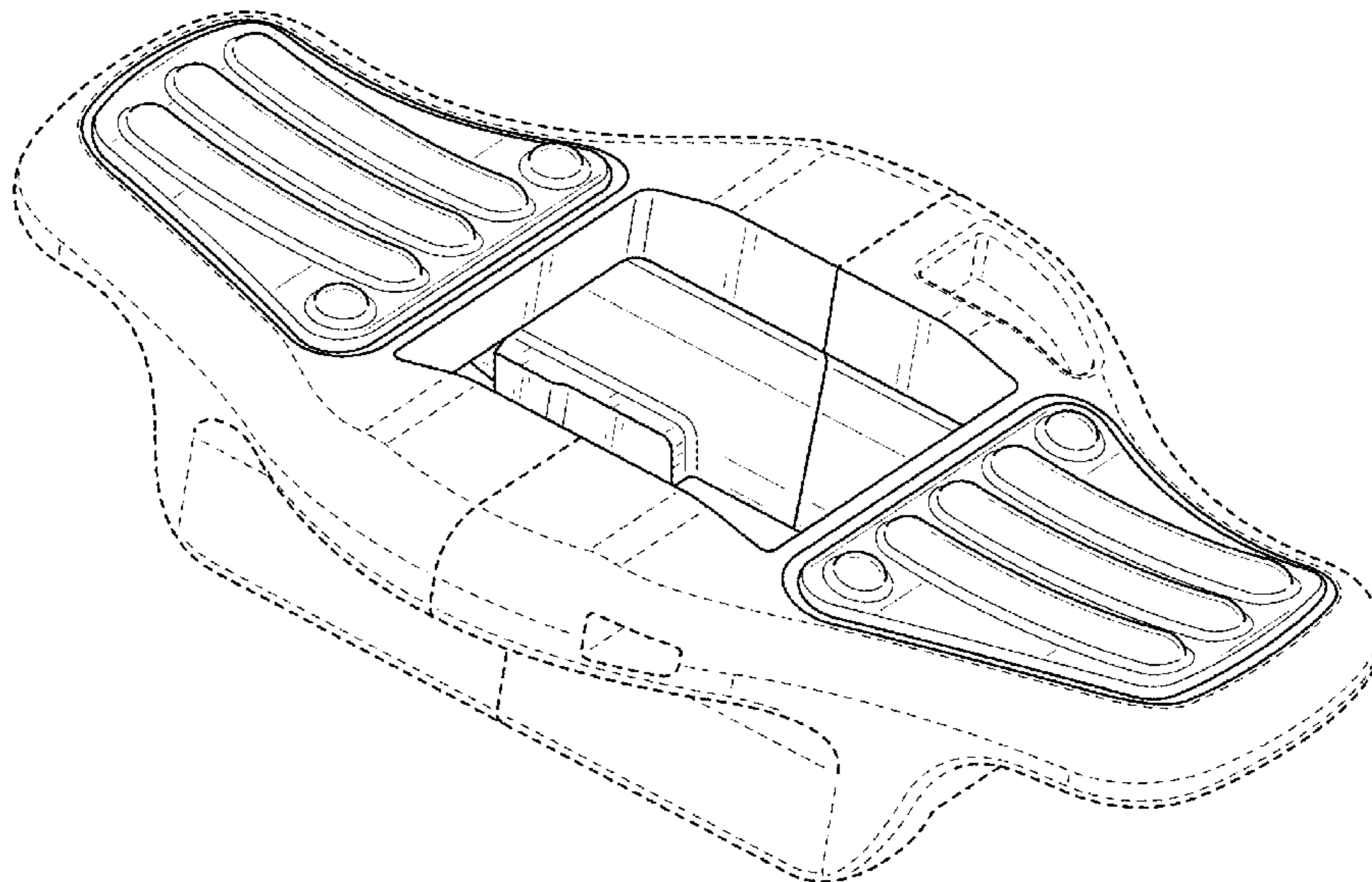
(57) **CLAIM**

The ornamental design for a flange extender, as shown and described.

DESCRIPTION

FIG. 1 is an embodiment of a flange extender in a perspective view;
FIG. 2 is a front view thereof;
FIG. 3 is a rear view thereof;
FIG. 4 is a left side view thereof;
FIG. 5 is a right side view thereof;
FIG. 6 is a top view thereof; and,
FIG. 7 is a bottom view thereof.
The broken lines illustrate portions of the drawings that form no part of the claimed design.

1 Claim, 7 Drawing Sheets



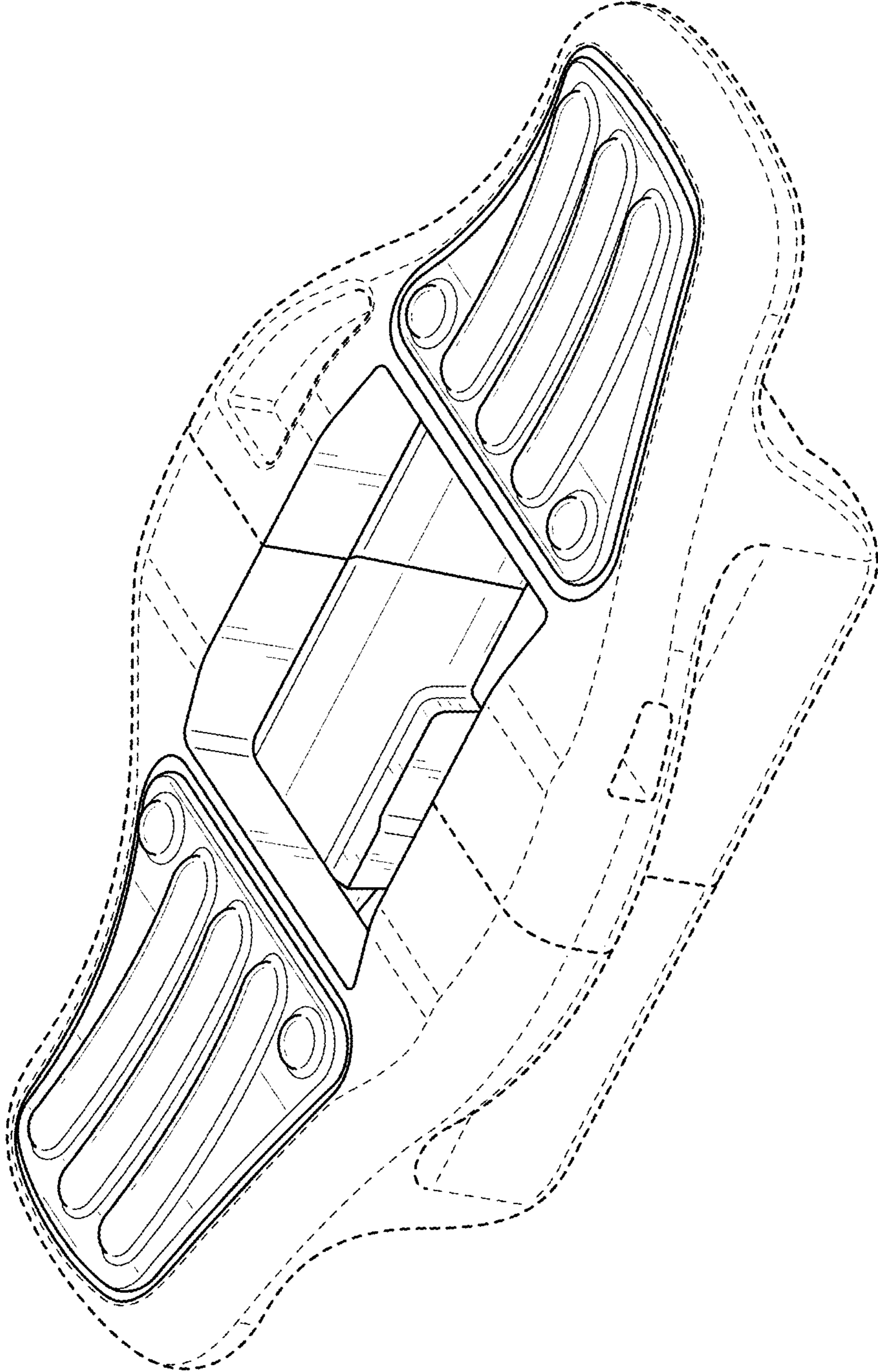


FIG. 1

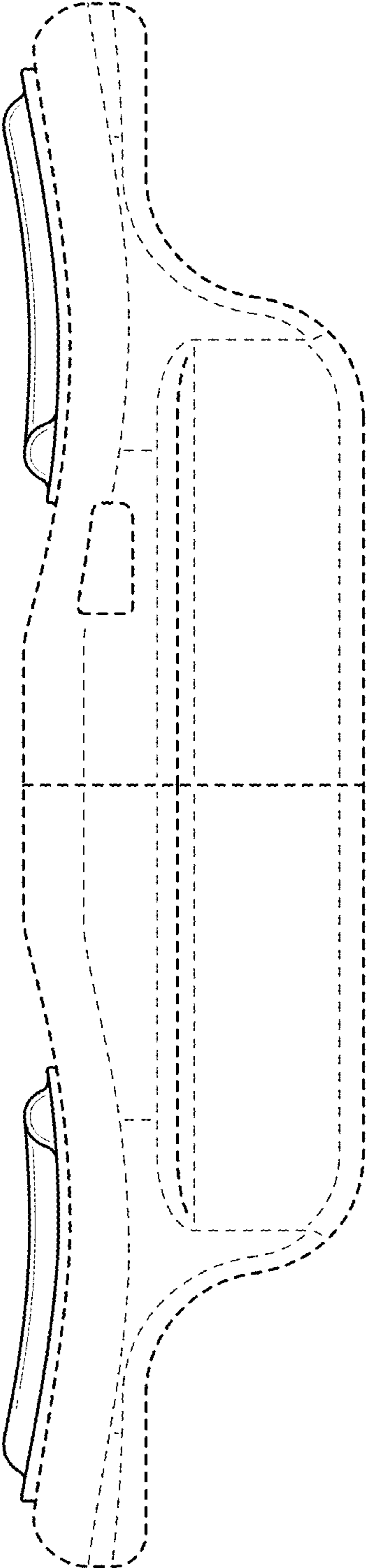


FIG. 2

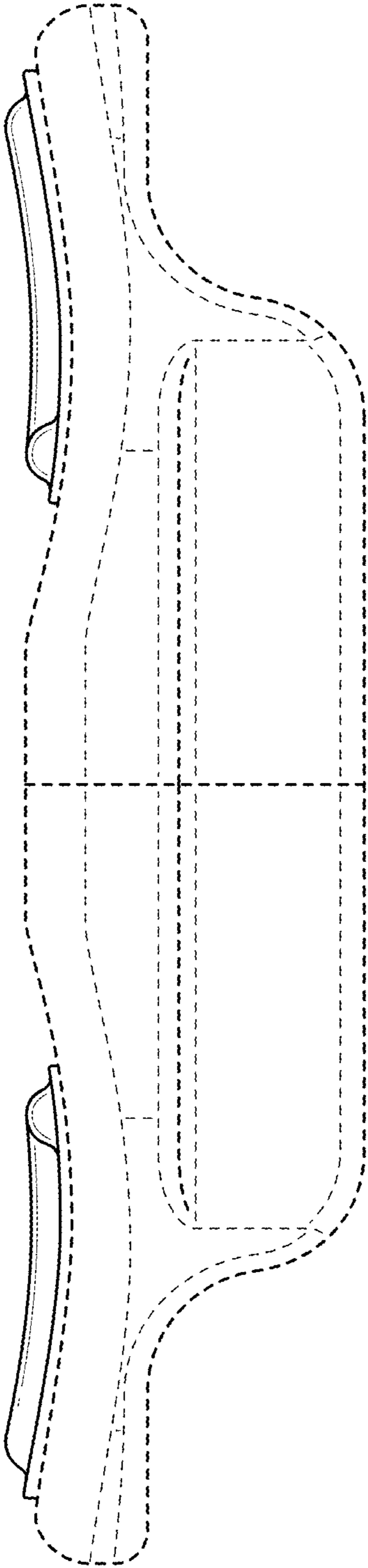


FIG. 3

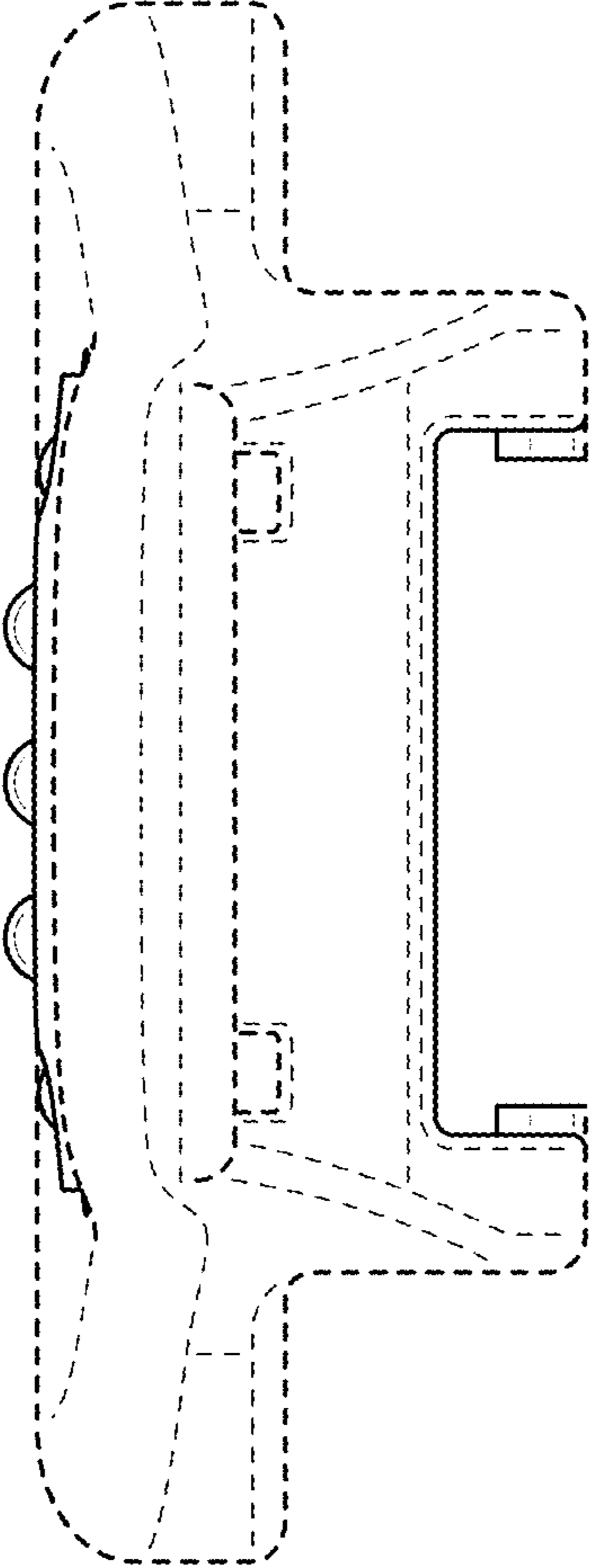


FIG. 4

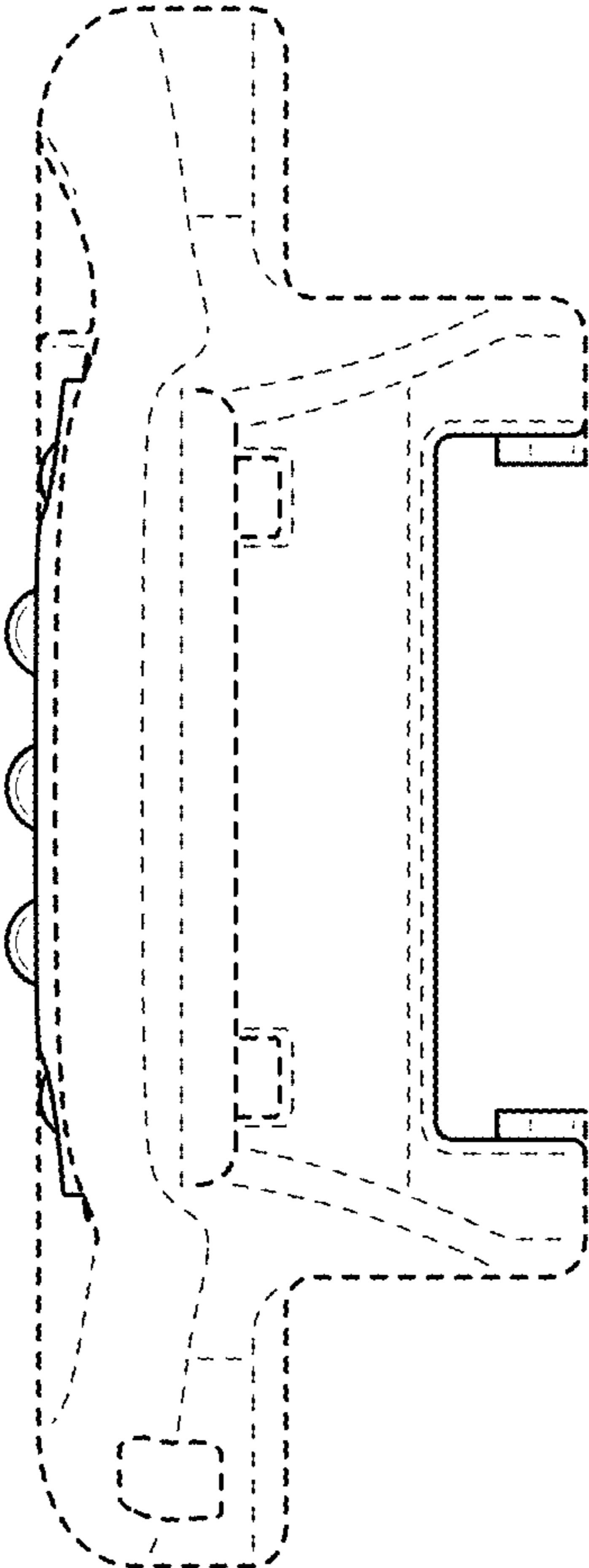


FIG. 5

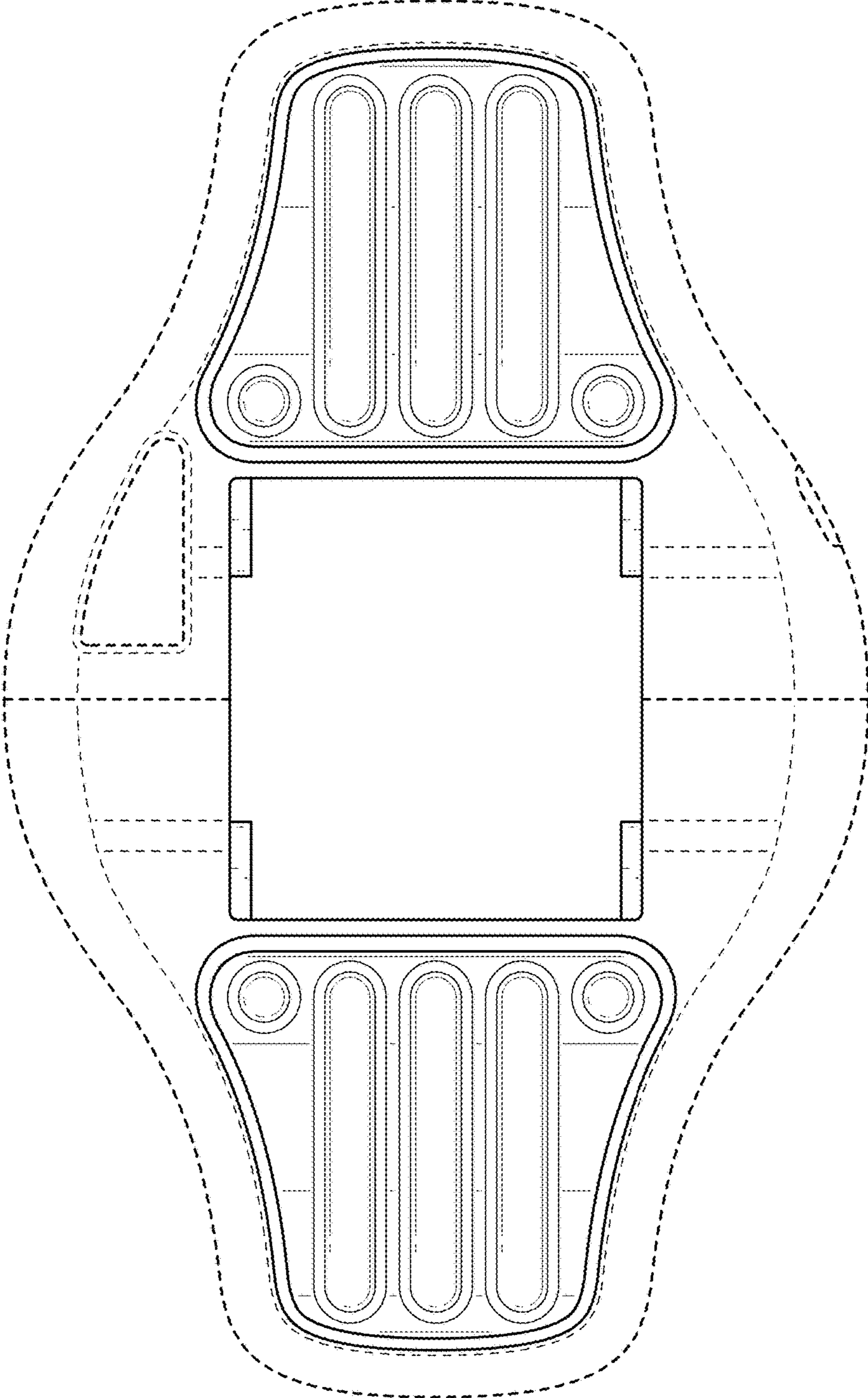


FIG. 6

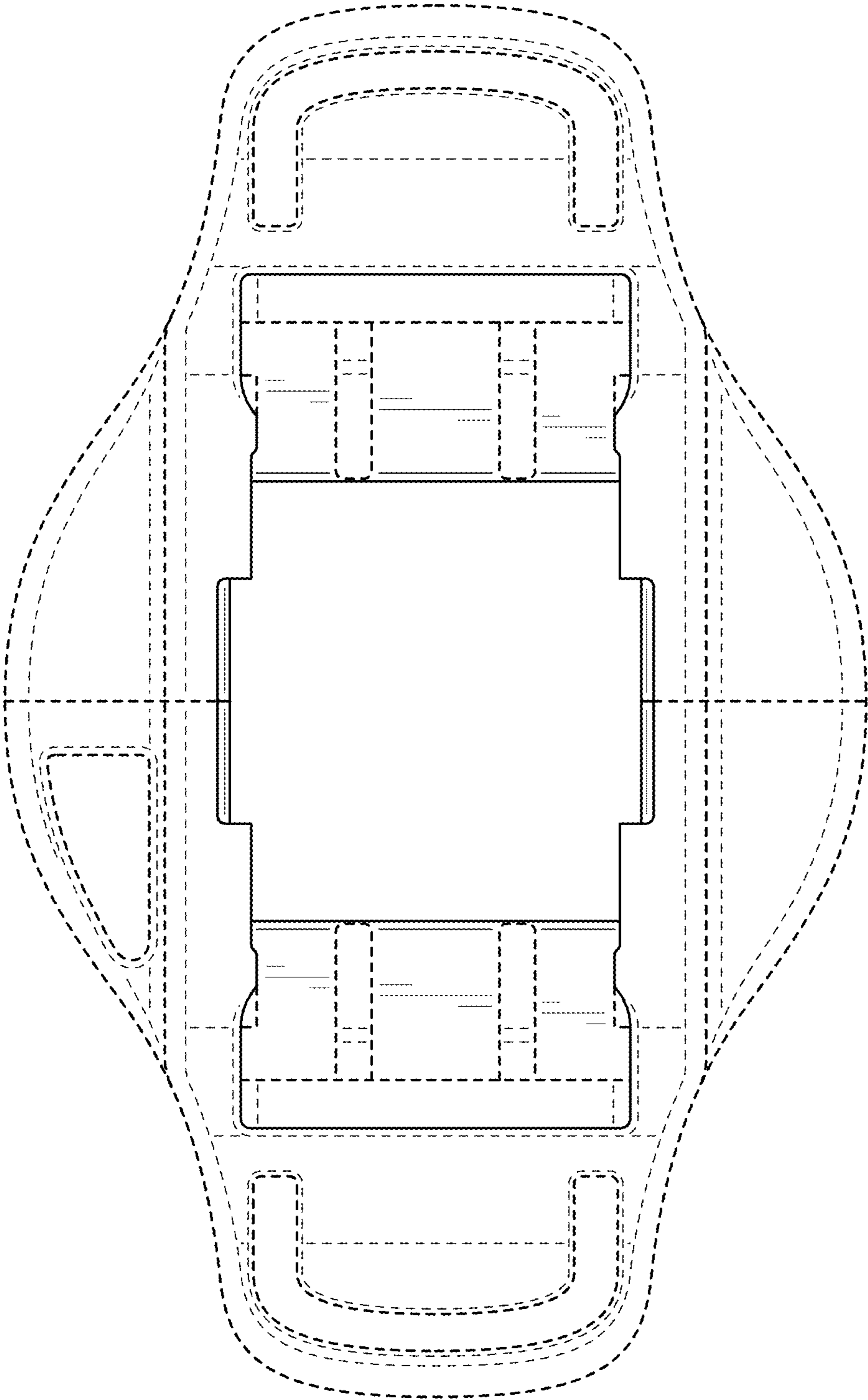


FIG. 7