



US00D802124S

(12) **United States Design Patent**
Guala

(10) **Patent No.:** **US D802,124 S**

(45) **Date of Patent:** **** Nov. 7, 2017**

(54) **CONNECTOR FOR MEDICAL FLUID LINES**

(71) Applicant: **INDUSTRIE BORLA S.p.A.**,
Moncalieri (Turin) (IT)

(72) Inventor: **Gianni Guala**, Turin (IT)

(73) Assignee: **Industrie Borla S.p.A.** (IT)

(**) Term: **15 Years**

(21) Appl. No.: **29/567,274**

(22) Filed: **Jun. 7, 2016**

(30) **Foreign Application Priority Data**

Dec. 7, 2015 (EM) 002898577-0001

(51) **LOC (10) Cl.** **24-02**

(52) **U.S. Cl.**
USPC **D24/129**

(58) **Field of Classification Search**
USPC D24/129, 112–114, 130, 127, 104, 133,
D24/186, 108; 606/181, 185; 604/264,
604/272, 115, 164.01–164.09, 533, 232,
604/187, 168.01, 192, 19, 48, 93.01, 523,
604/524, 526; 600/101, 139, 143;
128/200.24, 207.14, 207.15; 601/67
CPC A61M 25/00; A61M 25/0014; A61M
25/0097; A61M 25/0026

See application file for complete search history.

(56) **References Cited**

U.S. PATENT DOCUMENTS

5,056,514 A * 10/1991 DuPont A61M 16/04
128/204.23
D357,735 S * 4/1995 McPhee D23/233
5,639,810 A * 6/1997 Smith, III A61L 29/041
524/269
6,026,810 A * 2/2000 Baird A61M 16/0463
128/202.27

D570,475 S * 6/2008 Mosler D24/129
D578,214 S * 10/2008 Mosler D24/129
D638,931 S * 5/2011 Graham A61M 16/0463
D24/127
D672,037 S * 12/2012 Miller D24/129
9,585,999 B2 * 3/2017 Guala A61M 1/367
2006/0108008 A1 * 5/2006 Guala A61M 39/24
137/605
2008/0135051 A1 * 6/2008 Lee A61M 16/0463
128/207.14
2009/0005761 A1 * 1/2009 Guala A61M 39/045
604/535
2010/0179514 A1 * 7/2010 Guala A61M 39/045
604/537

* cited by examiner

Primary Examiner — David Muller

Assistant Examiner — Nathan Johnston

(74) *Attorney, Agent, or Firm* — Heslin Rothenberg
Farley & Mesiti P.C.; Victor A. Cardona, Esq.

(57) **CLAIM**

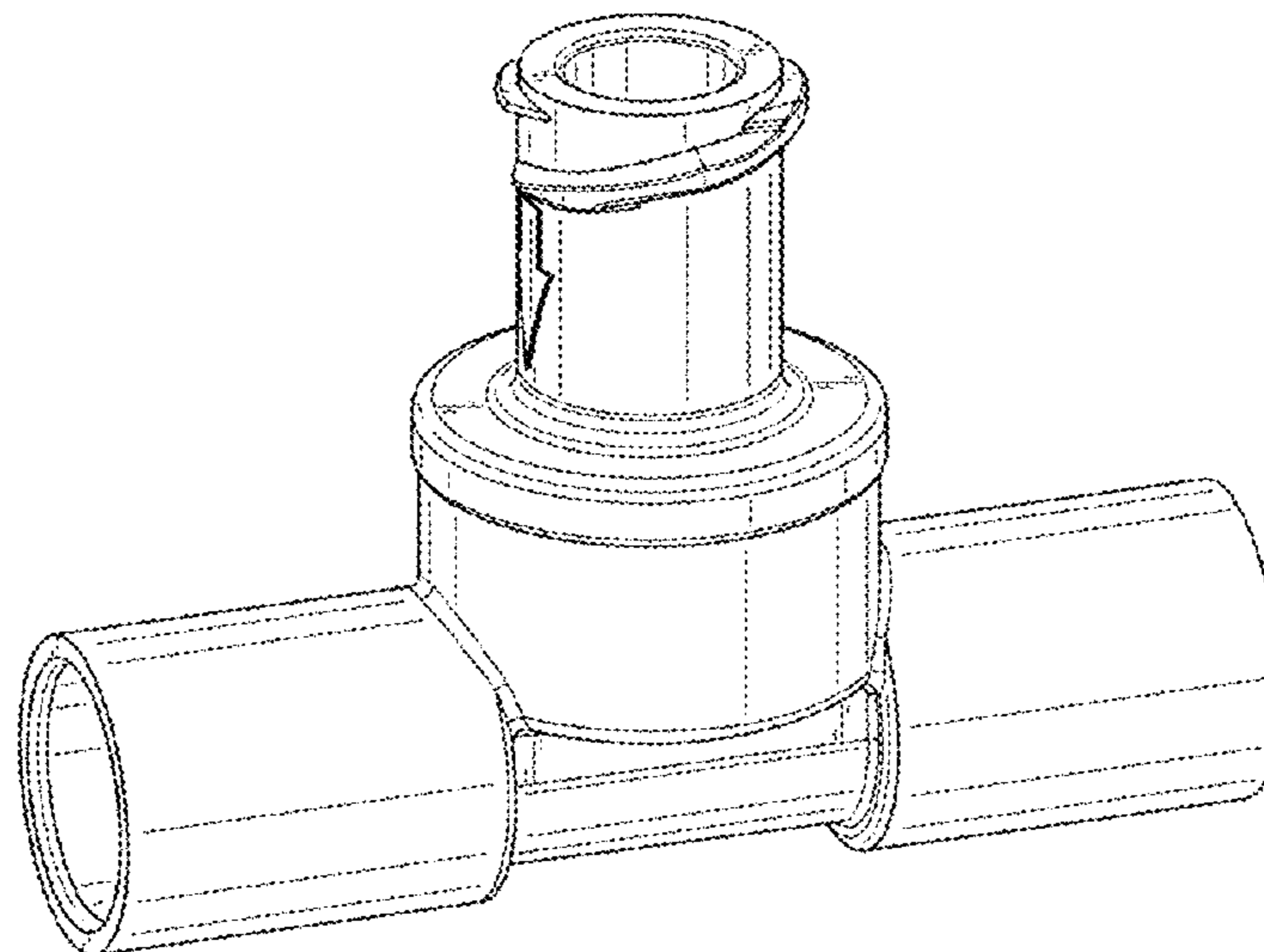
I claim the ornamental design for a connector for medical fluid lines, as shown and described.

DESCRIPTION

FIG. 1 is a perspective view from above of the connector for medical fluid lines comprising the new design; FIG. 2 is a perspective view from below thereof; FIG. 3 is a left side elevation view thereof, with the right side elevation view being identical thereto; FIG. 4 is a front elevation end view thereof, with the rear elevation view being identical thereto; FIG. 5 is a top plan view thereof; and, FIG. 6 is a bottom plan view thereof.

The broken line showing of connector for medical fluid lines is included for the purpose of illustrating portions of the “article” and forms no part of the claimed design.

1 Claim, 3 Drawing Sheets



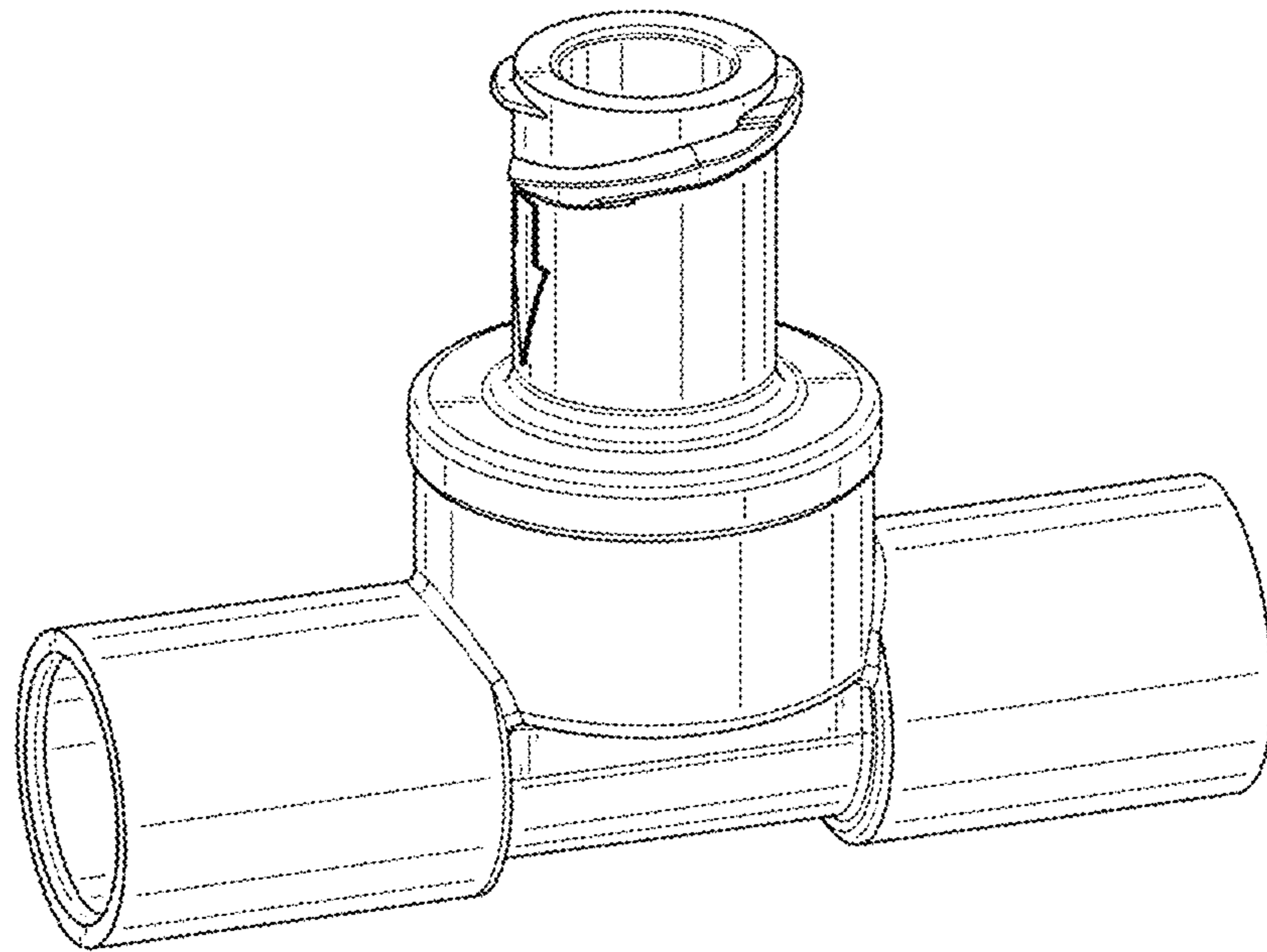


FIG. 1

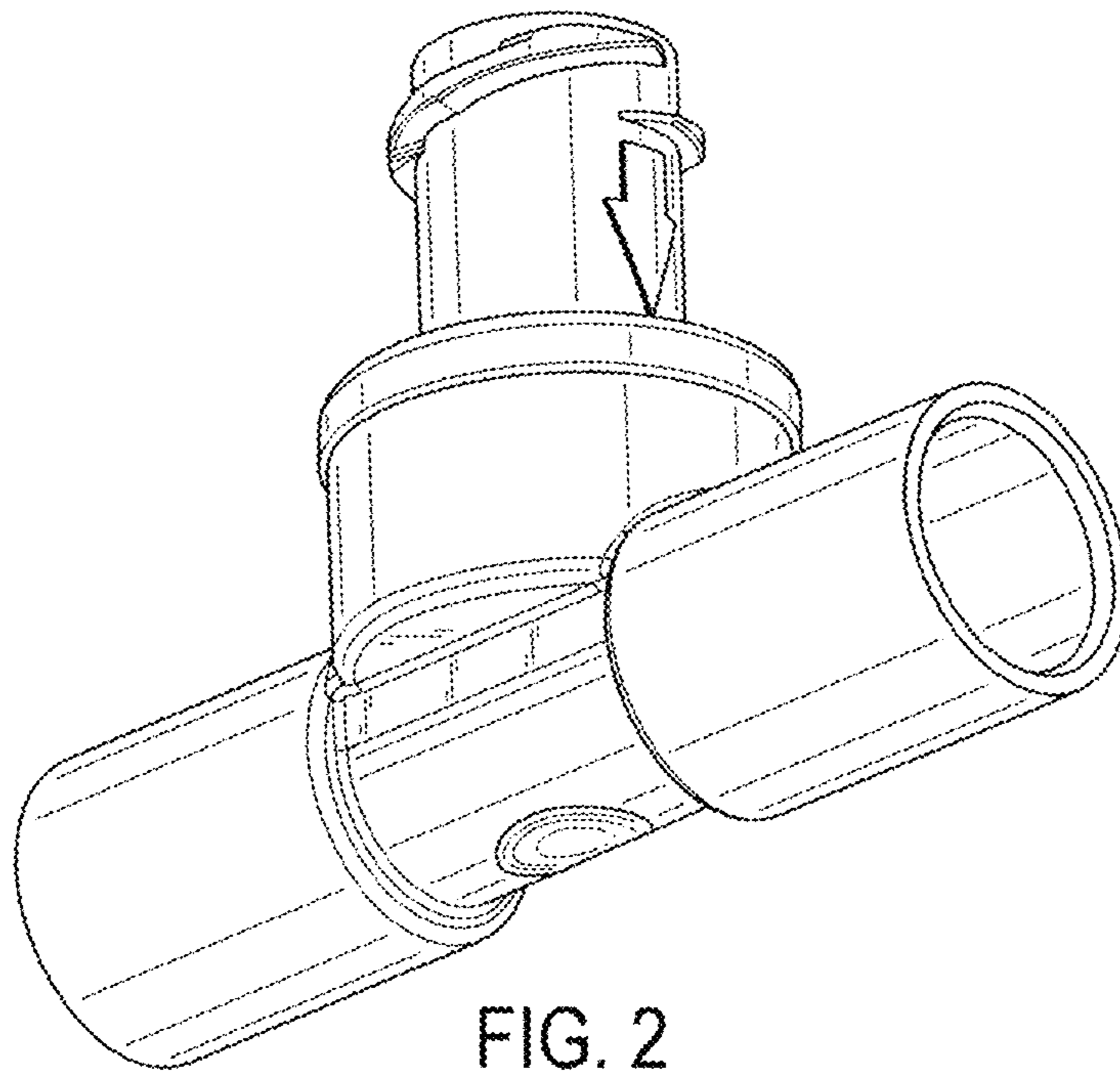


FIG. 2

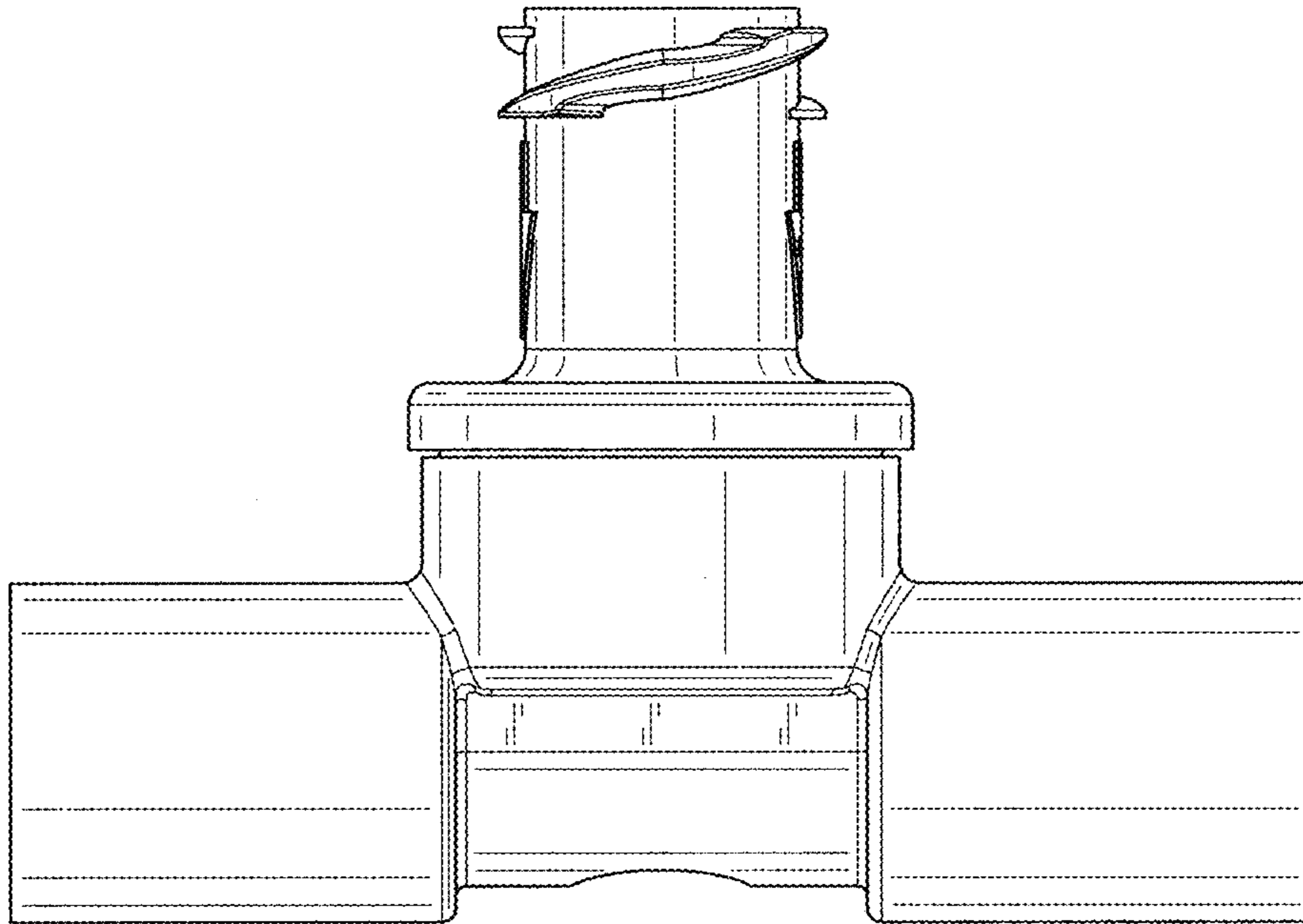


FIG. 3

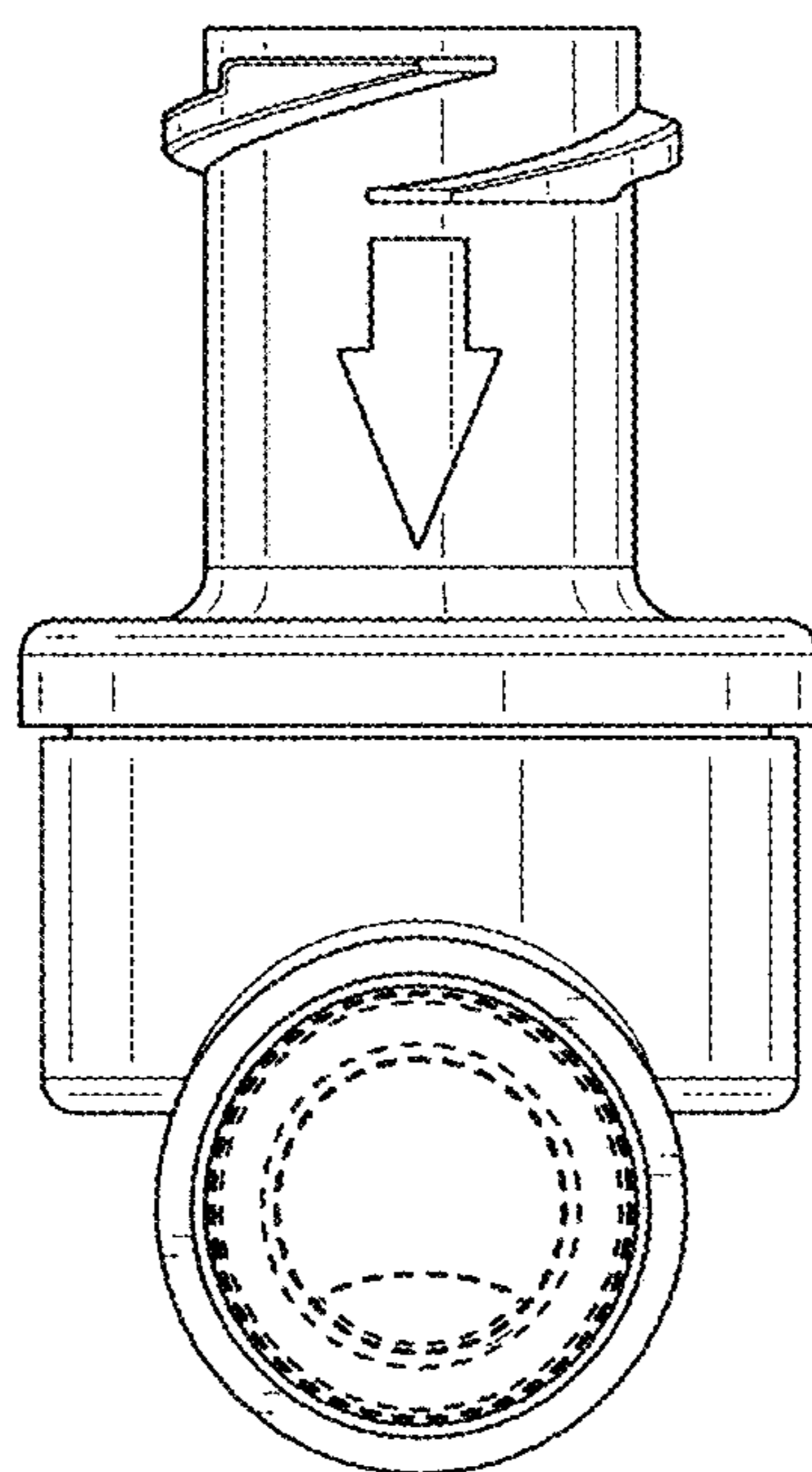


FIG. 4

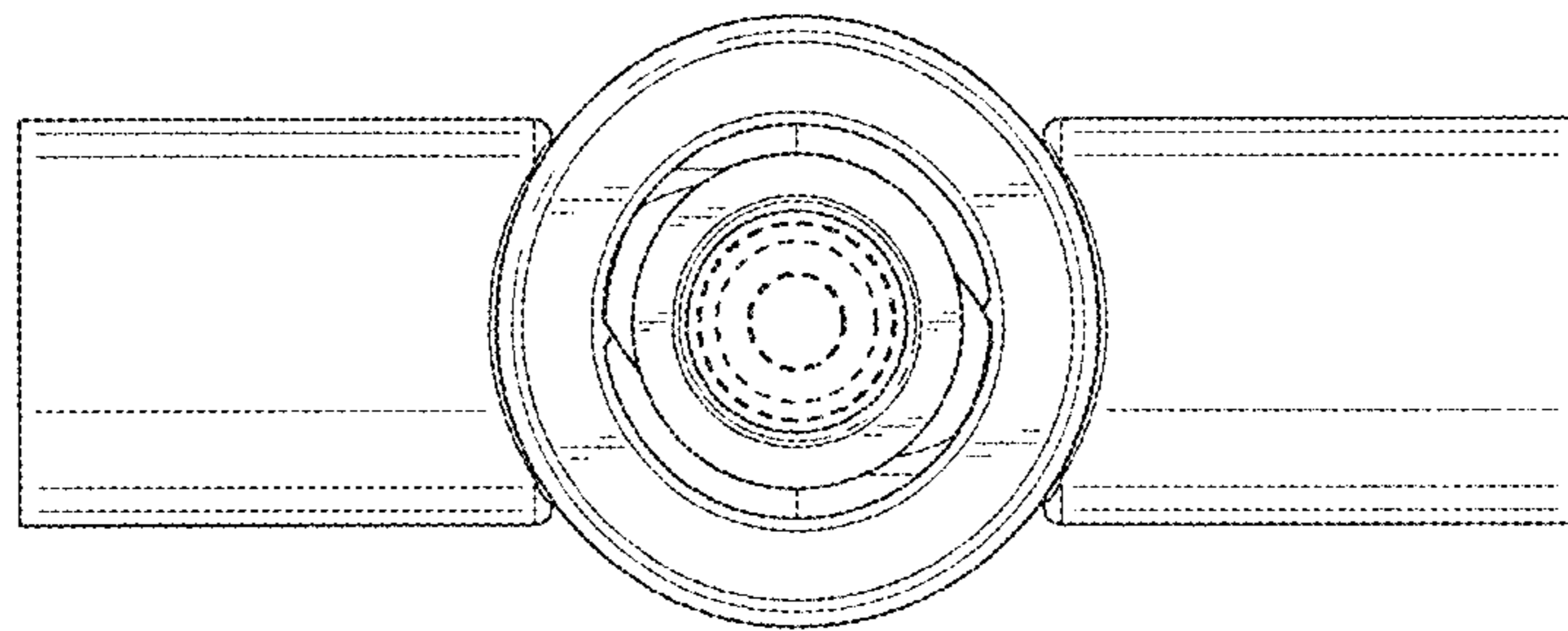


FIG. 5

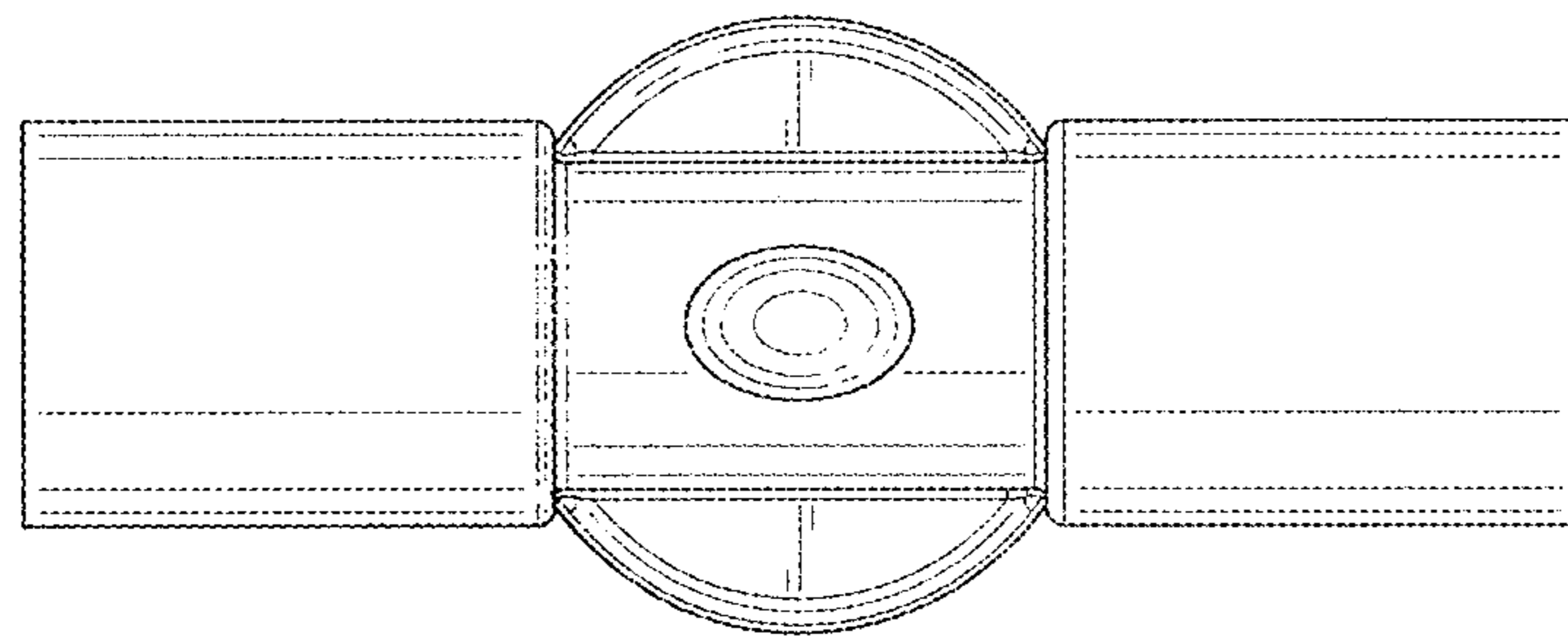


FIG. 6