



US00D802116S

(12) **United States Design Patent** (10) **Patent No.:** **US D802,116 S**
Smutney et al. (45) **Date of Patent:** **** Nov. 7, 2017**

- (54) **MOUTHPIECE COVER**
- (71) Applicant: **MannKind Corporation**, Valencia, CA (US)
- (72) Inventors: **Chad C. Smutney**, Watertown, CT (US); **P. Spencer Kinsey**, Sandy Hook, CT (US)
- (73) Assignee: **MannKind Corporation**, Westlake Village, CA (US)
- (**) Term: **15 Years**
- (21) Appl. No.: **29/579,594**
- (22) Filed: **Sep. 30, 2016**

Related U.S. Application Data

- (62) Division of application No. 29/504,212, filed on Oct. 2, 2014, now Pat. No. Des. 771,237.
- (51) **LOC (10) Cl.** **29-02**
- (52) **U.S. Cl.**
USPC **D24/110; D24/110.5; D24/127**
- (58) **Field of Classification Search**
USPC D24/108, 110, 110.1, 110.4, 110.5, 127, D24/164; D17/13, 99; D9/435, 443, 444
CPC A61M 15/0025; A61M 15/0026; A61M 15/0021; A61M 15/00; G10D 9/02
See application file for complete search history.

(56) **References Cited**

U.S. PATENT DOCUMENTS

D540,671 S *	4/2007	Born	D9/445
D541,151 S *	4/2007	Born	D9/445
D566,549 S *	4/2008	Russell	D9/445
D626,836 S *	11/2010	Lien	D9/443
D660,956 S *	5/2012	Zuyderhoudt	D24/110

D663,830 S *	7/2012	Sears	D24/110
D711,740 S *	8/2014	Lien	D30/132
9,302,060 B2 *	4/2016	Denyer	A61M 15/00
D765,831 S *	9/2016	Li	D24/110
D771,237 S *	11/2016	Smutney	D24/110
2007/0175314 A1 *	8/2007	Wanne	G10D 9/02 84/383 R
2016/0095990 A1 *	4/2016	Smutney	A61M 15/0025 128/203.15

* cited by examiner

Primary Examiner — Barbara Fox

Assistant Examiner — Lilyana Bekic

(74) *Attorney, Agent, or Firm* — K&L Gates LLP; Louis C. Cullman; Brian J. Novak

(57) **CLAIM**

The ornamental design for a mouthpiece cover, as shown and described.

DESCRIPTION

FIG. 1 is a front perspective view of a mouthpiece cover of our design.

FIG. 2 is a bottom perspective view of the mouthpiece cover of FIG. 1.

FIG. 3 is a top view of the mouthpiece cover of FIG. 1.

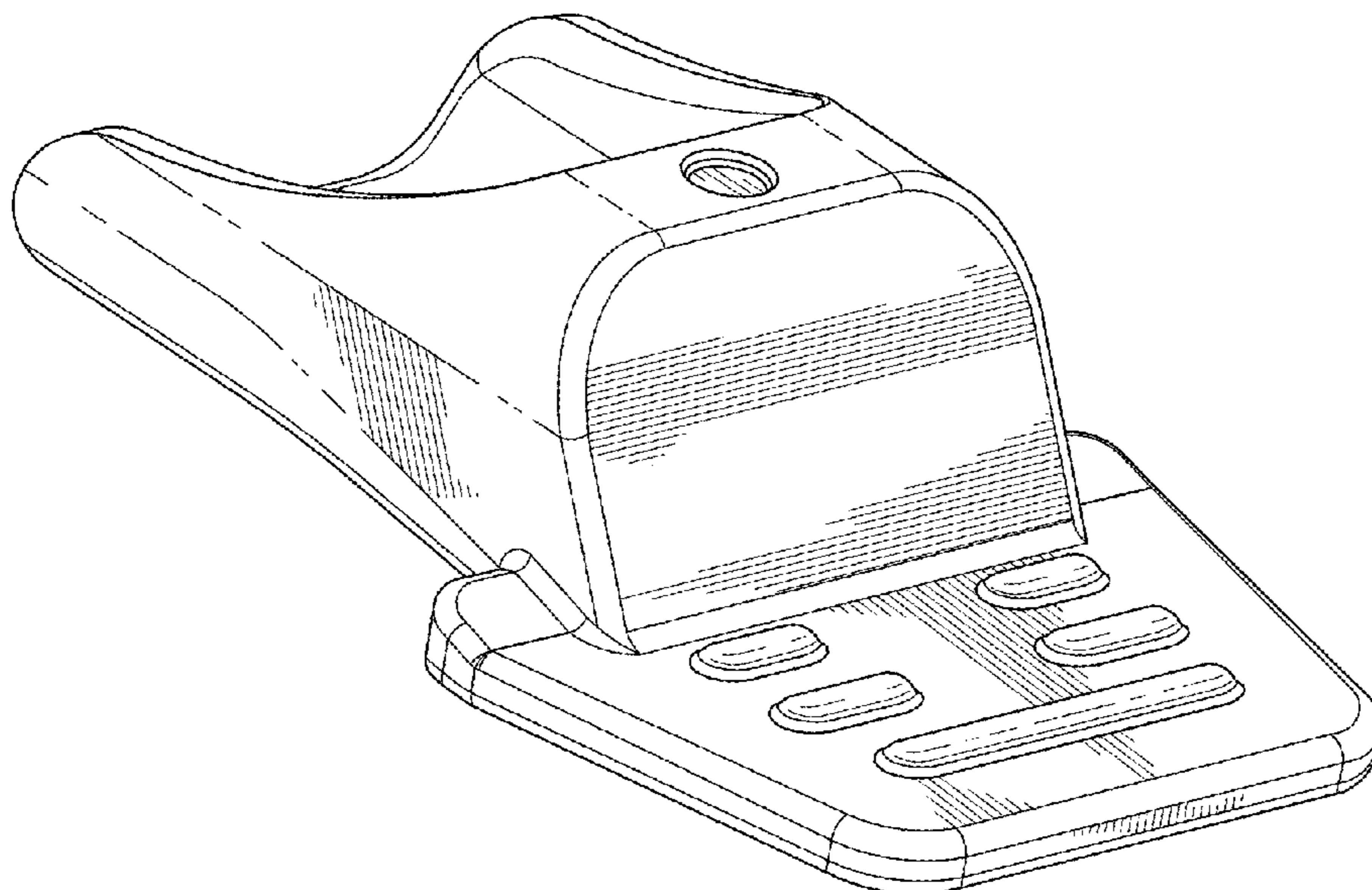
FIG. 4 is a bottom view of the mouthpiece cover of FIG. 1.

FIG. 5 is a first side view of the mouthpiece cover of FIG. 1.

FIG. 6 is a second side view of the mouthpiece cover of FIG. 1.

FIG. 7 is a rear view of the mouthpiece cover of FIG. 1; and, FIG. 8 is a front view of the mouthpiece cover of FIG. 1. Broken lines shown in the figures are included for the purpose of illustrating portions of the mouthpiece cover and form no part of the claimed design.

1 Claim, 3 Drawing Sheets



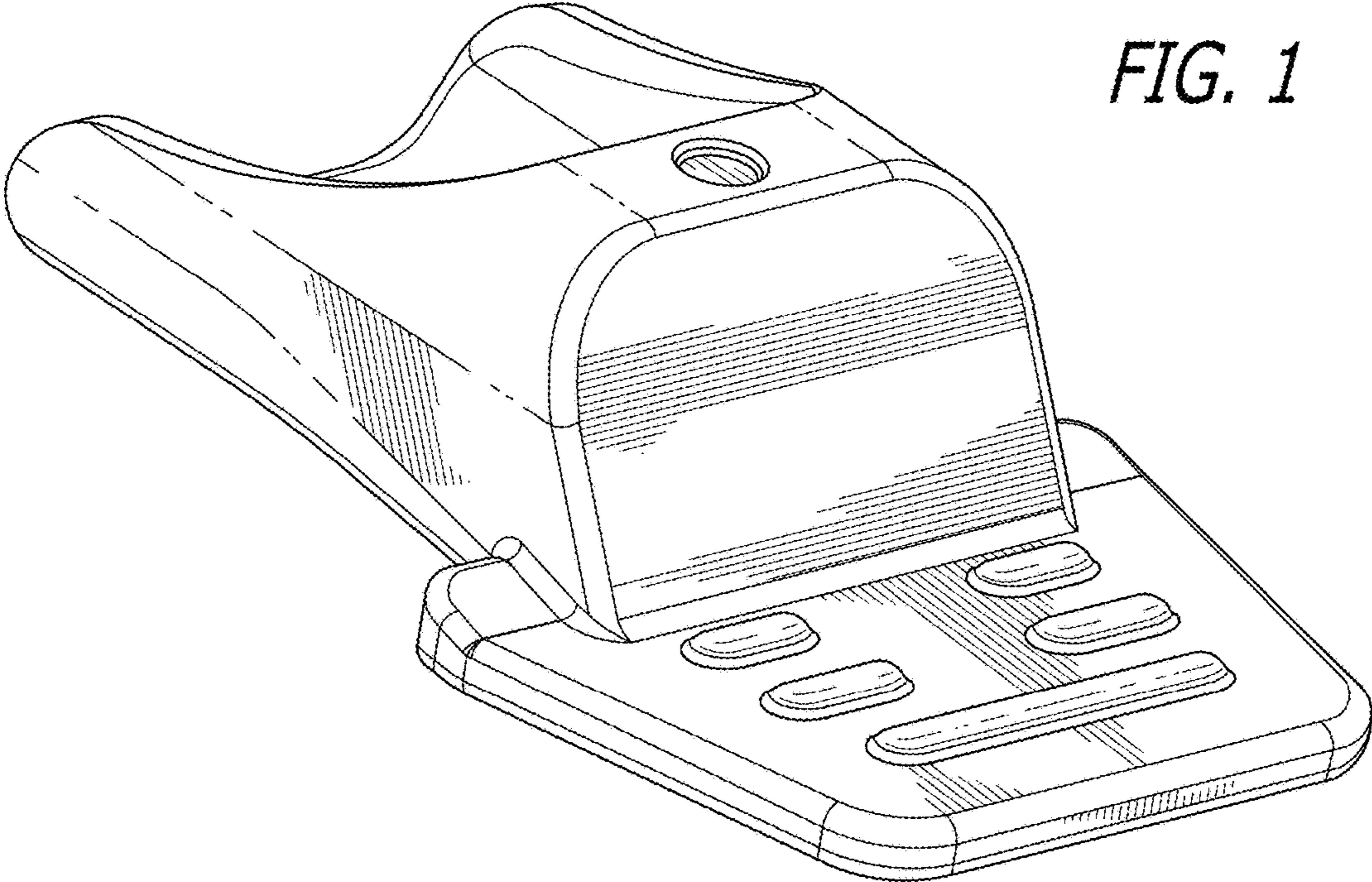


FIG. 2

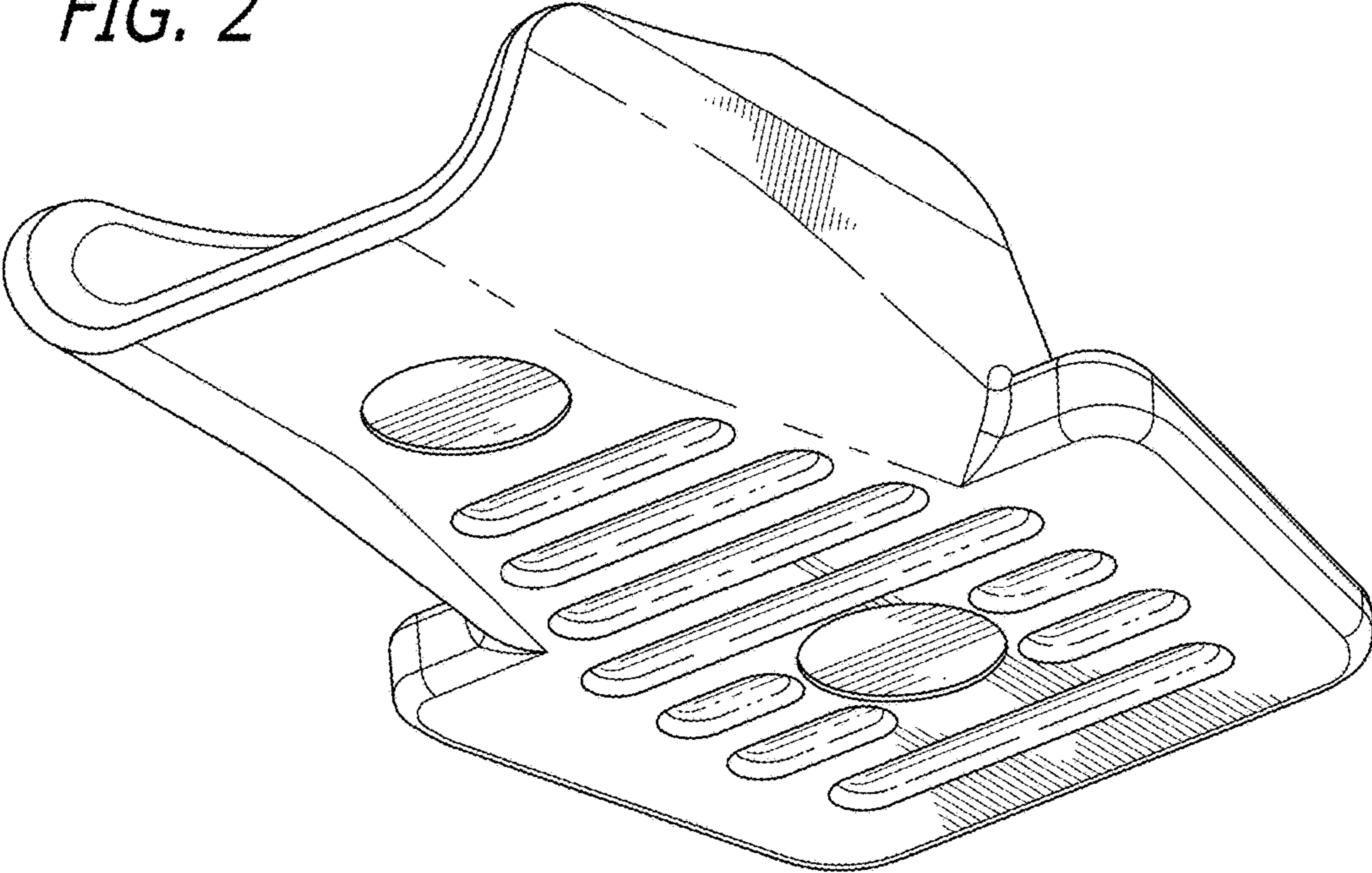


FIG. 3

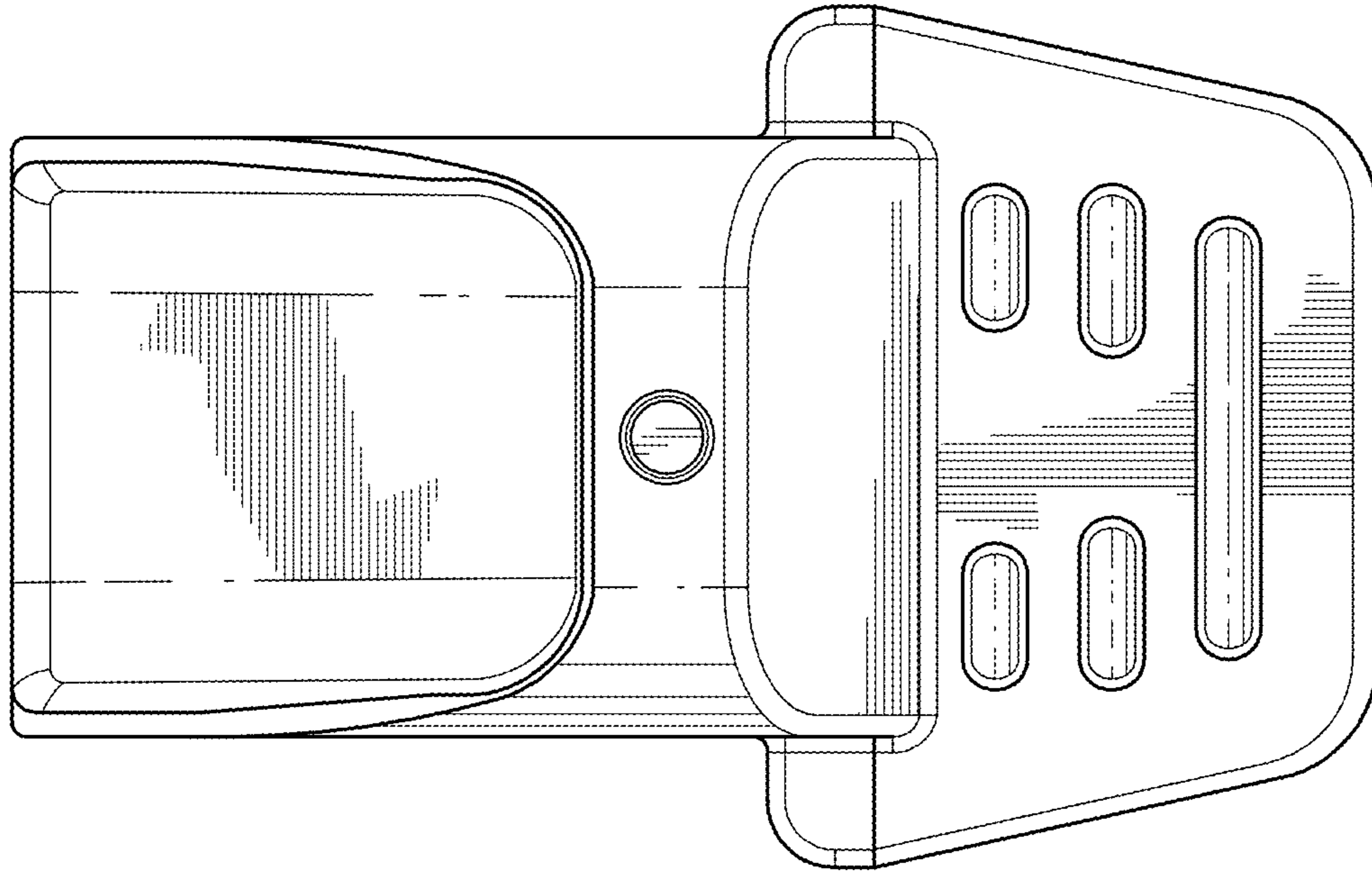


FIG. 4

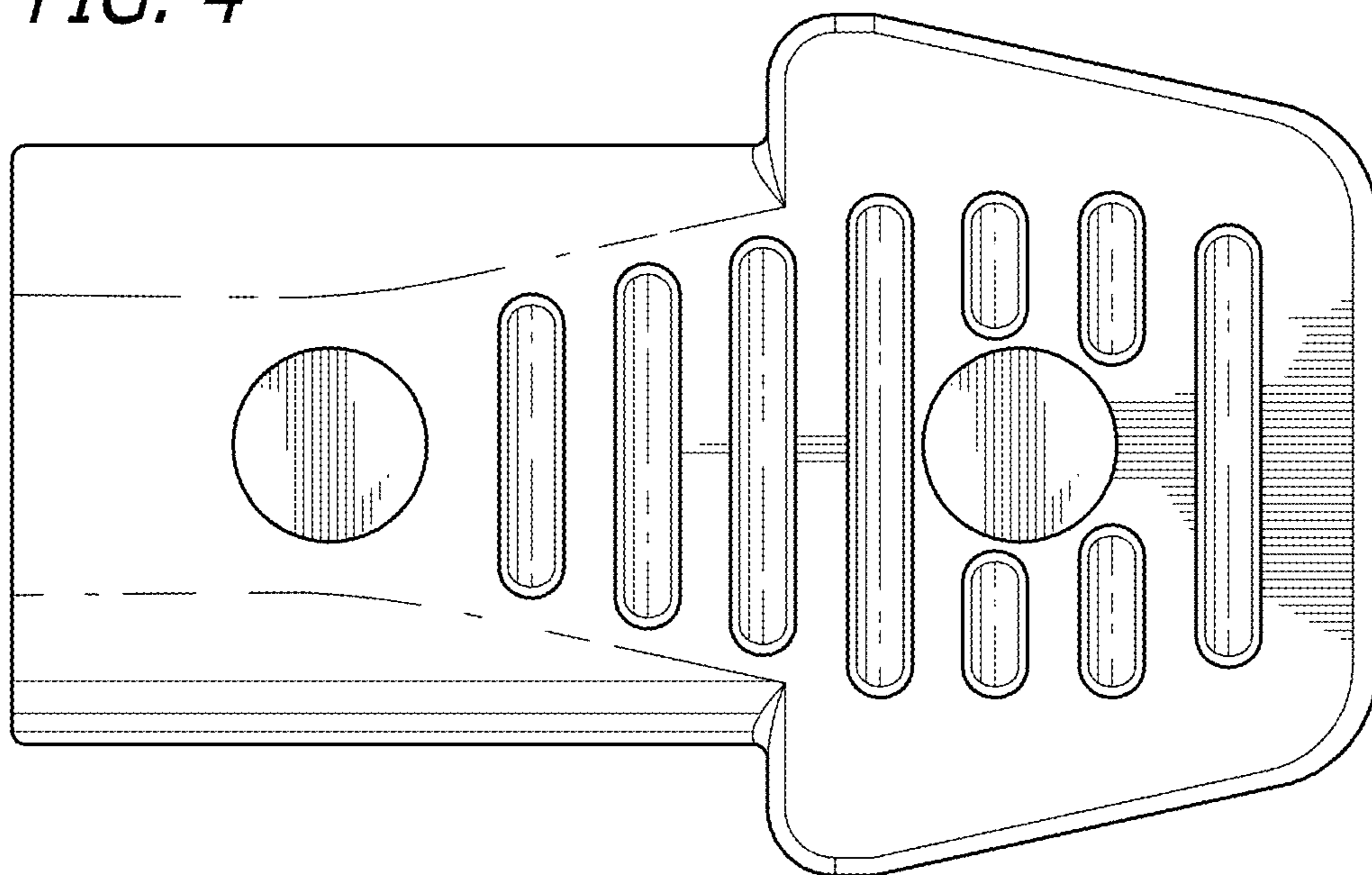


FIG. 5

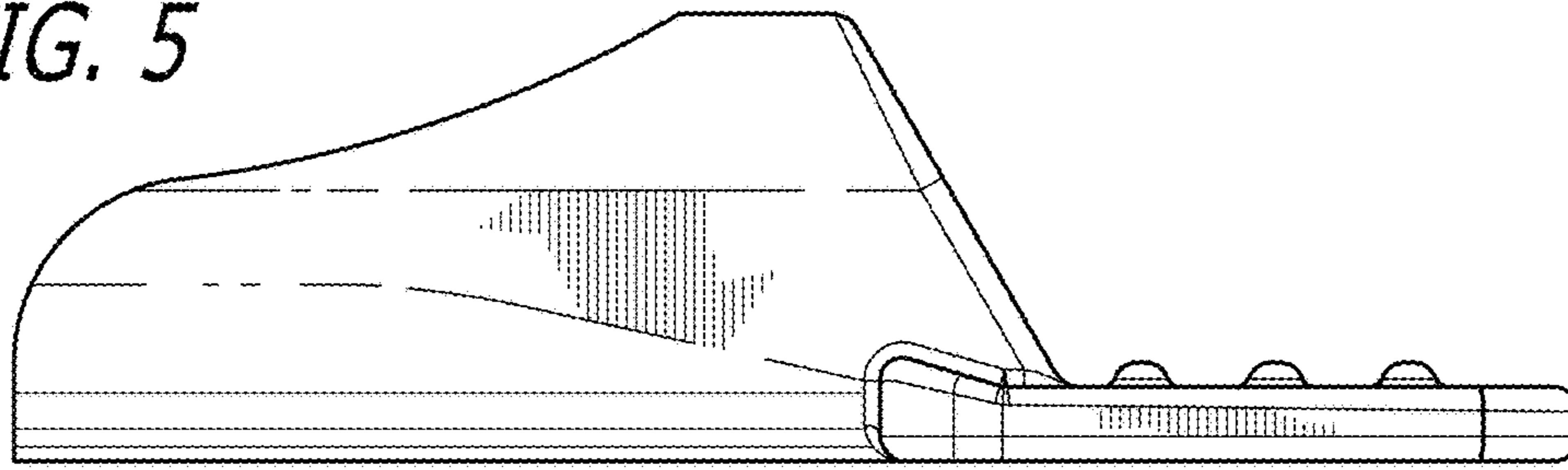


FIG. 6

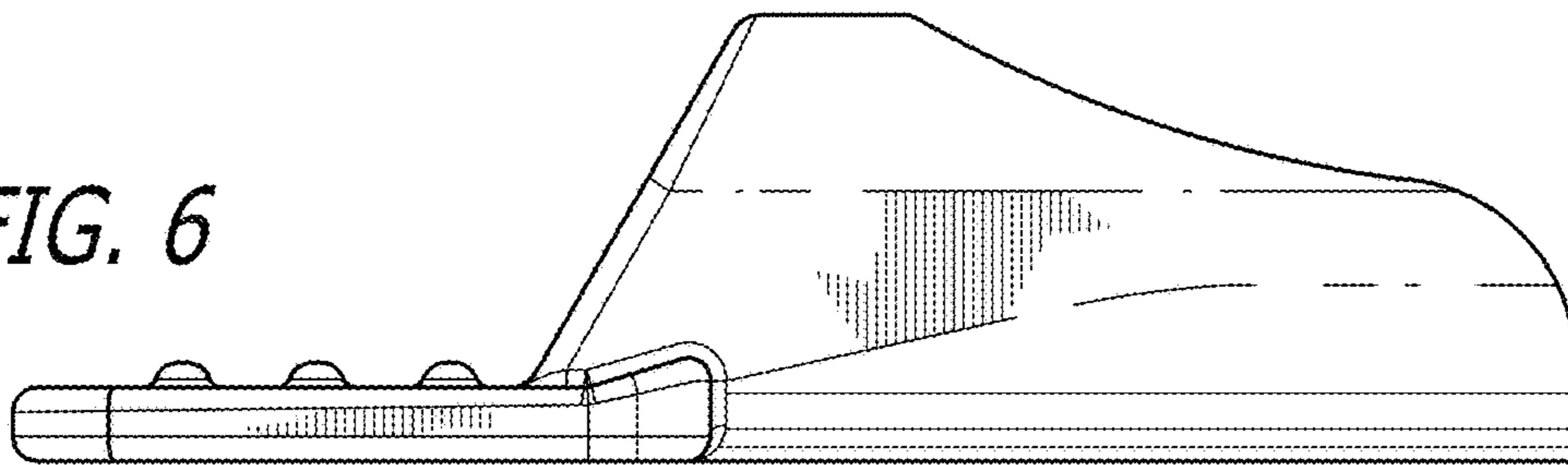


FIG. 7

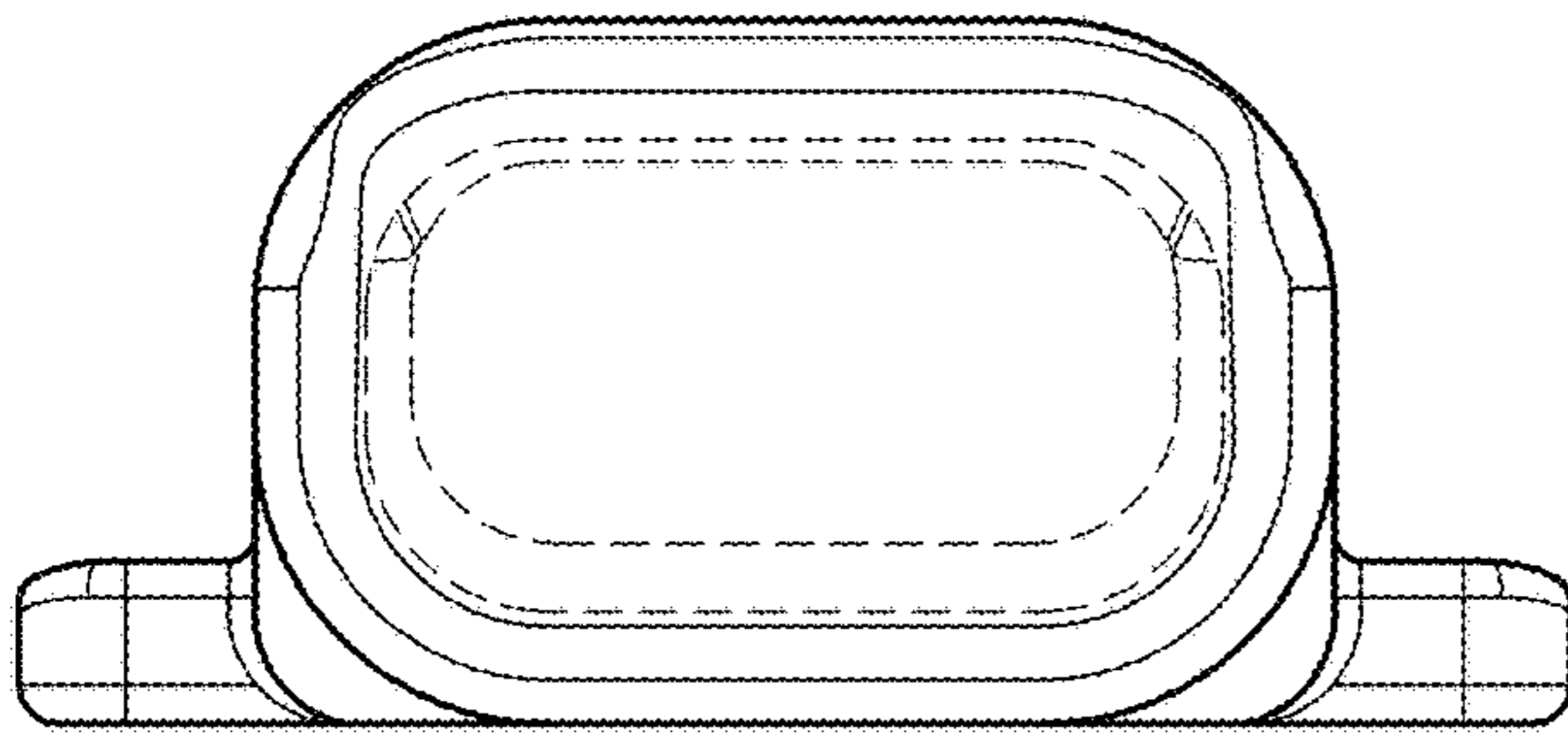


FIG. 8

