



US00D802115S

(12) **United States Design Patent**  
**Sahaye**

(10) **Patent No.:** **US D802,115 S**

(45) **Date of Patent:** **\*\* Nov. 7, 2017**

(54) **FIRE GRATE**

(71) Applicant: **Progressive Home Hardware Inc.,**  
Alpharetta, GA (US)

(72) Inventor: **Nivay Sahaye,** Lawrenceville, GA (US)

(73) Assignee: **Progressive Home Hardware Inc.,**  
Alpharetta, GA (US)

(\*\*) Term: **15 Years**

(21) Appl. No.: **29/546,034**

(22) Filed: **Nov. 18, 2015**

(51) **LOC (10) Cl.** ..... **23-03**

(52) **U.S. Cl.**  
USPC ..... **D23/398**

(58) **Field of Classification Search**  
USPC ..... D23/397, 398, 403, 405, 407, 411, 415  
CPC ... B64C 2001/009; B64C 11/04; B64C 11/16;  
B64C 11/18; B64C 11/20; B64D 13/02;  
E04C 2/427; E06B 3/5892; F03D 3/062;  
F03D 11/04; F04D 19/002; F04D 25/068;  
F04D 25/088; F23D 5/00; F23D 14/02;  
F23D 14/04; F23D 14/06; F23D 14/065;  
F23D 14/46; F24C 3/08; F24C 3/085;  
F24C 3/103; F24C 15/101; F24C 15/14;  
F24H 1/12; F24H 1/124; F24F 1/0018

See application file for complete search history.

(56) **References Cited**

**U.S. PATENT DOCUMENTS**

D225,637 S \* 12/1972 Schmitt ..... D23/398  
D243,504 S \* 3/1977 Morrison ..... D23/410  
4,215,671 A \* 8/1980 Nadolsky ..... F24B 1/193  
126/541  
D267,465 S \* 1/1983 Hassett ..... D23/398  
4,369,762 A \* 1/1983 Ziebert ..... F24B 1/193  
126/152 B  
D301,674 S \* 6/1989 Smith ..... 294/211  
D304,074 S \* 10/1989 Moroney ..... D23/398

D311,953 S \* 11/1990 Martinson ..... D23/398  
4,967,731 A \* 11/1990 Terhune ..... F24B 1/192  
126/521  
D321,051 S \* 10/1991 Nagy ..... D23/410  
D345,416 S \* 3/1994 Steele ..... D23/398  
5,636,624 A \* 6/1997 Cassidy ..... F24B 1/193  
126/512  
5,664,556 A \* 9/1997 Byers ..... F24B 1/1957  
126/500  
6,036,032 A \* 3/2000 Moscatelli ..... F24B 15/00  
211/60.1  
D427,339 S \* 6/2000 Tingley ..... D26/13  
D445,174 S \* 7/2001 Fox ..... D23/415

(Continued)

**OTHER PUBLICATIONS**

13-in-vertical-fire-grate, image post date Nov. 18, 2016, site visited  
Jul. 27, 2017, (online), <https://www.tineye.com/search/9407051eaed787dd9f6c8e3b9a99436cedc64331/>.\*

(Continued)

*Primary Examiner* — Kevin K Rudzinski  
*Assistant Examiner* — Sean D Lough  
(74) *Attorney, Agent, or Firm* — Walter A. Rodgers

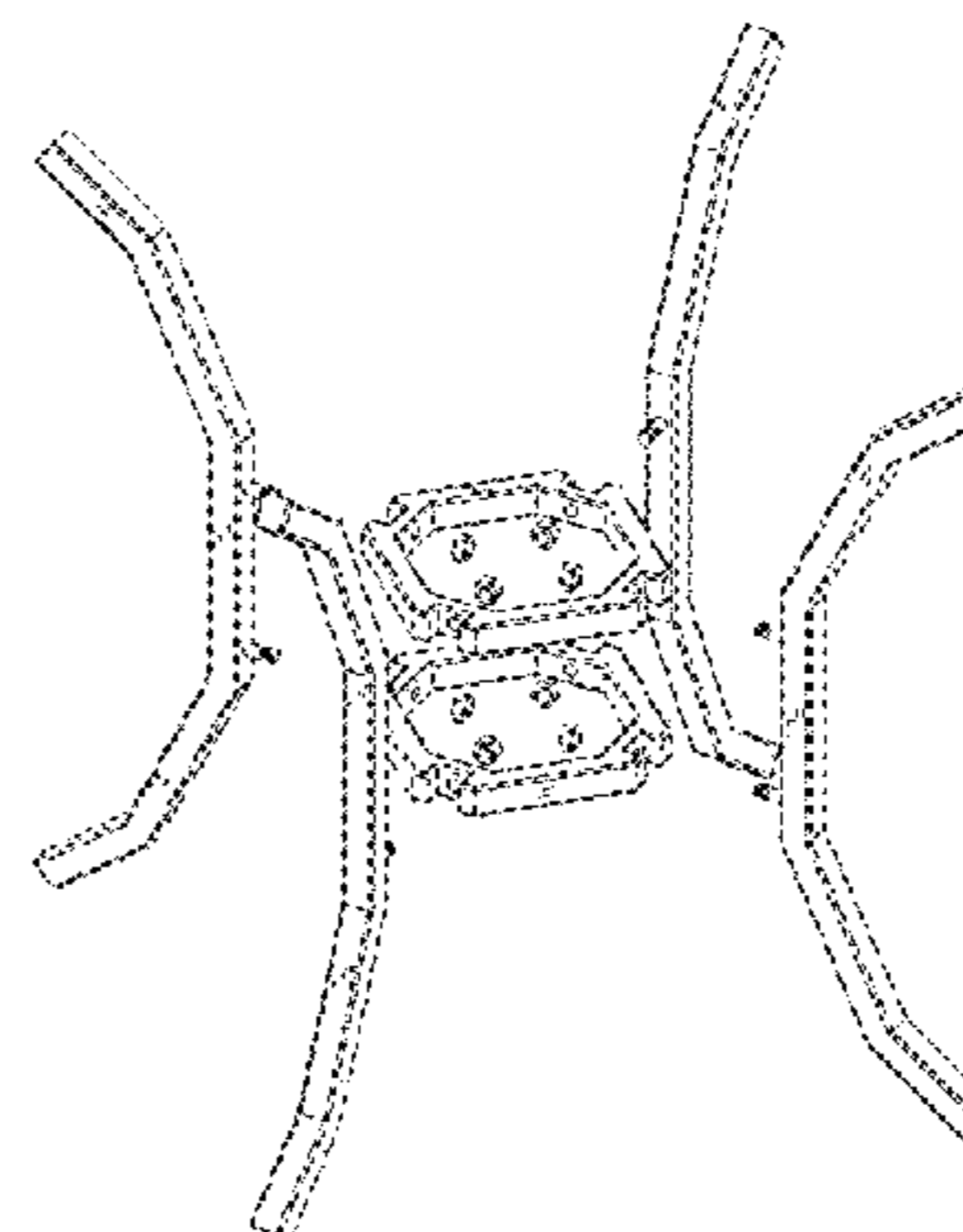
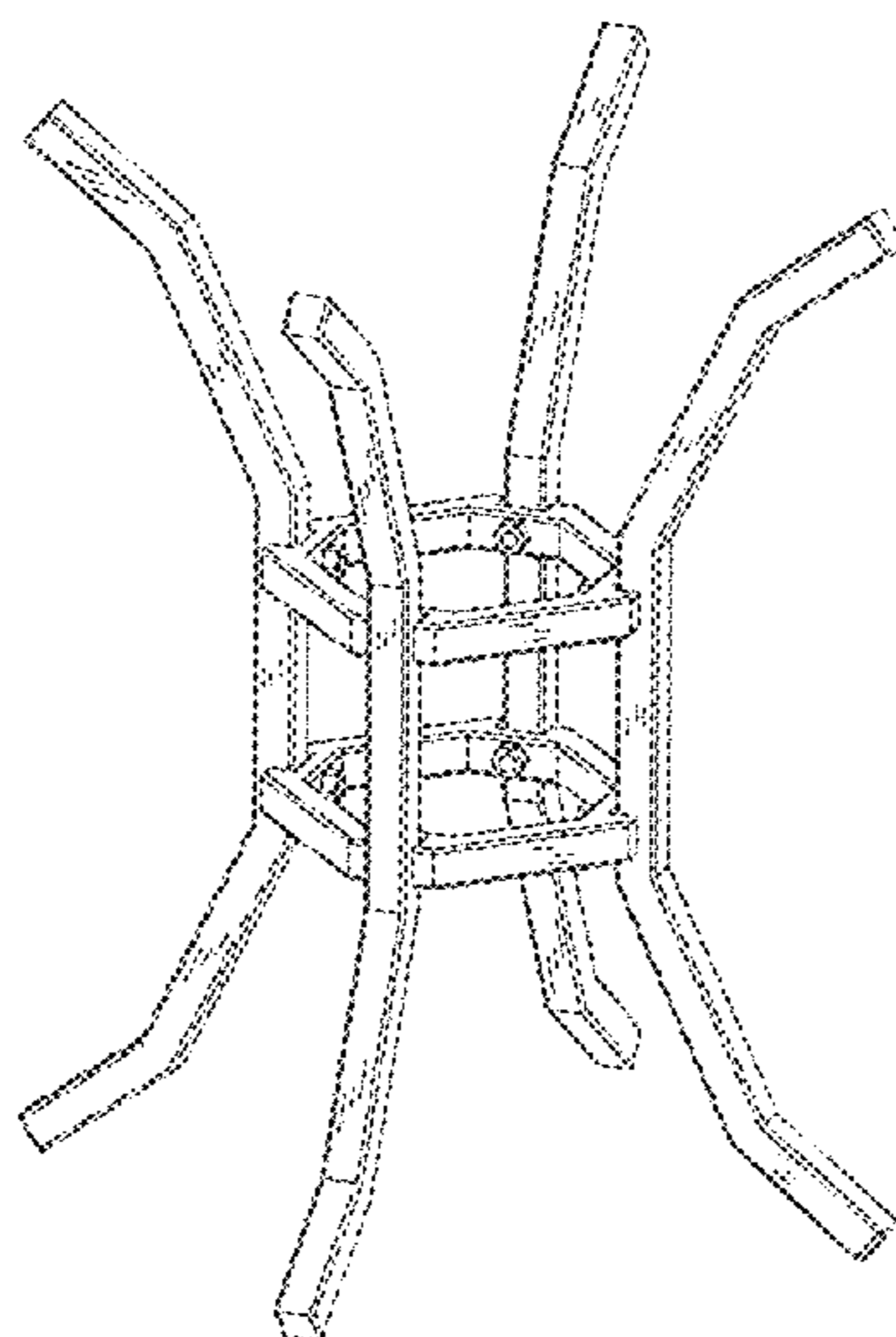
(57) **CLAIM**

The ornamental design for a fire gate, as shown and described.

**DESCRIPTION**

FIG. 1 is a perspective view of a fire grate showing my new design;  
FIG. 2 is a front elevation view thereof the left side, right side and rear being the same in appearance;  
FIG. 3 is a top plan view thereof the bottom being the same in appearance;  
FIG. 4 is an elevation view thereof rotated 45 degrees from that of the view shown in FIG. 2; and,  
FIG. 5 is an exploded perspective view thereof.

**1 Claim, 5 Drawing Sheets**



(56)

References Cited

U.S. PATENT DOCUMENTS

D467,331 S \* 12/2002 McKay ..... D23/403  
 D477,062 S \* 7/2003 Richard ..... D23/332  
 D482,773 S \* 11/2003 Young ..... D23/411  
 7,124,695 B2 \* 10/2006 Buechler ..... A47B 47/04  
 108/158.12  
 D535,855 S \* 1/2007 Adams ..... D7/409  
 D540,458 S \* 4/2007 Rozier, Sr. .... D23/410  
 D607,991 S \* 1/2010 Pickett ..... D23/411  
 D612,477 S \* 3/2010 Simpson ..... D23/403  
 7,886,736 B2 \* 2/2011 Eiklor ..... F24B 1/1808  
 126/512  
 D633,337 S \* 3/2011 Funnell, II ..... D7/408  
 D655,859 S \* 3/2012 Goldring ..... D26/118  
 D657,906 S \* 4/2012 Yu ..... D26/138  
 8,281,546 B2 \* 10/2012 Thompson ..... E04G 11/22  
 249/20  
 D670,102 S \* 11/2012 Duncan ..... D6/683  
 D678,515 S \* 3/2013 Enriquez ..... D24/119  
 D678,723 S \* 3/2013 Funnell, II ..... D7/408  
 D684,424 S \* 6/2013 Funnell ..... D7/408  
 D694,395 S \* 11/2013 Lowsky ..... D23/403  
 D695,883 S \* 12/2013 Vest ..... D23/415  
 D697,192 S \* 1/2014 Hills ..... D23/403  
 D697,193 S \* 1/2014 Hills ..... D23/403  
 D697,194 S \* 1/2014 Hills ..... D23/403  
 D701,953 S \* 4/2014 Hills ..... D23/403  
 D702,339 S \* 4/2014 Byberg ..... D23/407  
 D706,408 S \* 6/2014 Betz ..... D23/403  
 D707,065 S \* 6/2014 Fisher ..... D6/678.4  
 D707,342 S \* 6/2014 Miller ..... D23/406

8,776,779 B2 \* 7/2014 Johnston ..... F24B 1/193  
 126/540  
 D713,520 S \* 9/2014 Alexander ..... D23/410  
 D713,956 S \* 9/2014 Goldwitz ..... D23/410  
 8,870,133 B1 \* 10/2014 Brown ..... A47F 5/04  
 211/196  
 D720,164 S \* 12/2014 Parrish ..... D6/675.5  
 D725,258 S \* 3/2015 Harris ..... D23/398  
 8,967,946 B2 \* 3/2015 Kimberg ..... F03D 9/007  
 415/4.2  
 D726,898 S \* 4/2015 Hibbard ..... D23/415  
 D729,378 S \* 5/2015 Autrey ..... D23/398  
 D731,636 S \* 6/2015 Hills ..... D23/403  
 D736,067 S \* 8/2015 Manning ..... D8/354  
 D736,601 S \* 8/2015 Cox ..... D8/356  
 D746,973 S \* 1/2016 Langohr ..... D23/415  
 9,366,237 B2 \* 6/2016 Oestergaard ..... E04B 1/2403  
 9,414,712 B2 \* 8/2016 Skvorecz ..... A47J 36/2405  
 D766,683 S \* 9/2016 West ..... D8/4  
 9,631,503 B2 \* 4/2017 Ehrnberg ..... F01D 7/00  
 D789,145 S \* 6/2017 Blichmann ..... D7/407  
 D789,513 S \* 6/2017 Nilssen ..... D23/415

OTHER PUBLICATIONS

FIREase IncinerGrate S5000 Vertical Fire Pit Grate, image post date Aug. 2, 2015, site visited Aug. 3, 2017, (online), <https://www.amazon.com/FIREase-IncinerGrate-S5000-Vertical-Grate/dp/B00MFNVV5S>.  
 Incinergrate, image post date May 17, 2015, site visited Aug. 3, 2017, (online), <https://www.tineye.com/search/027469a3aa637fde3c281eccc9934265655e7a/>.

\* cited by examiner

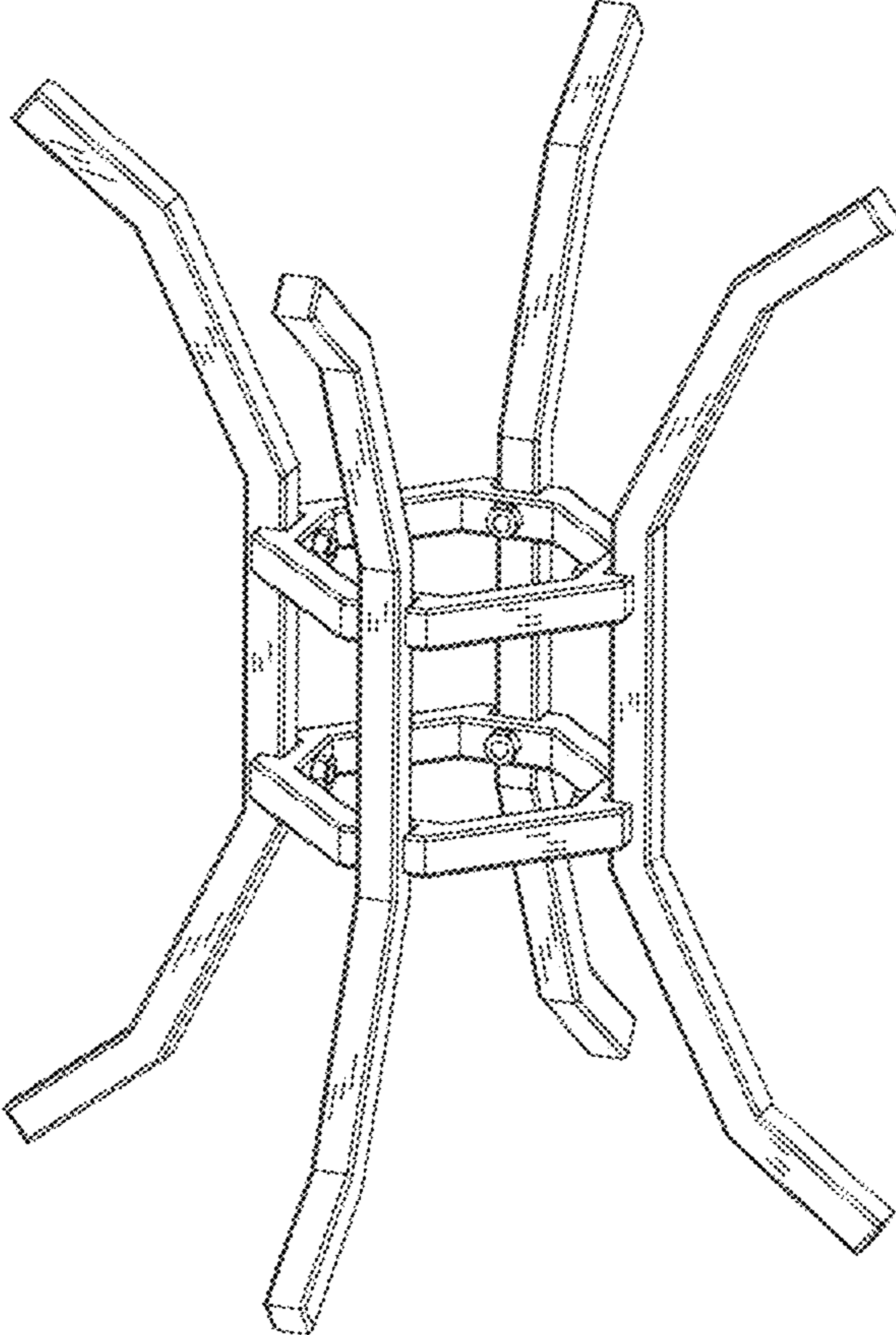


FIG. 1

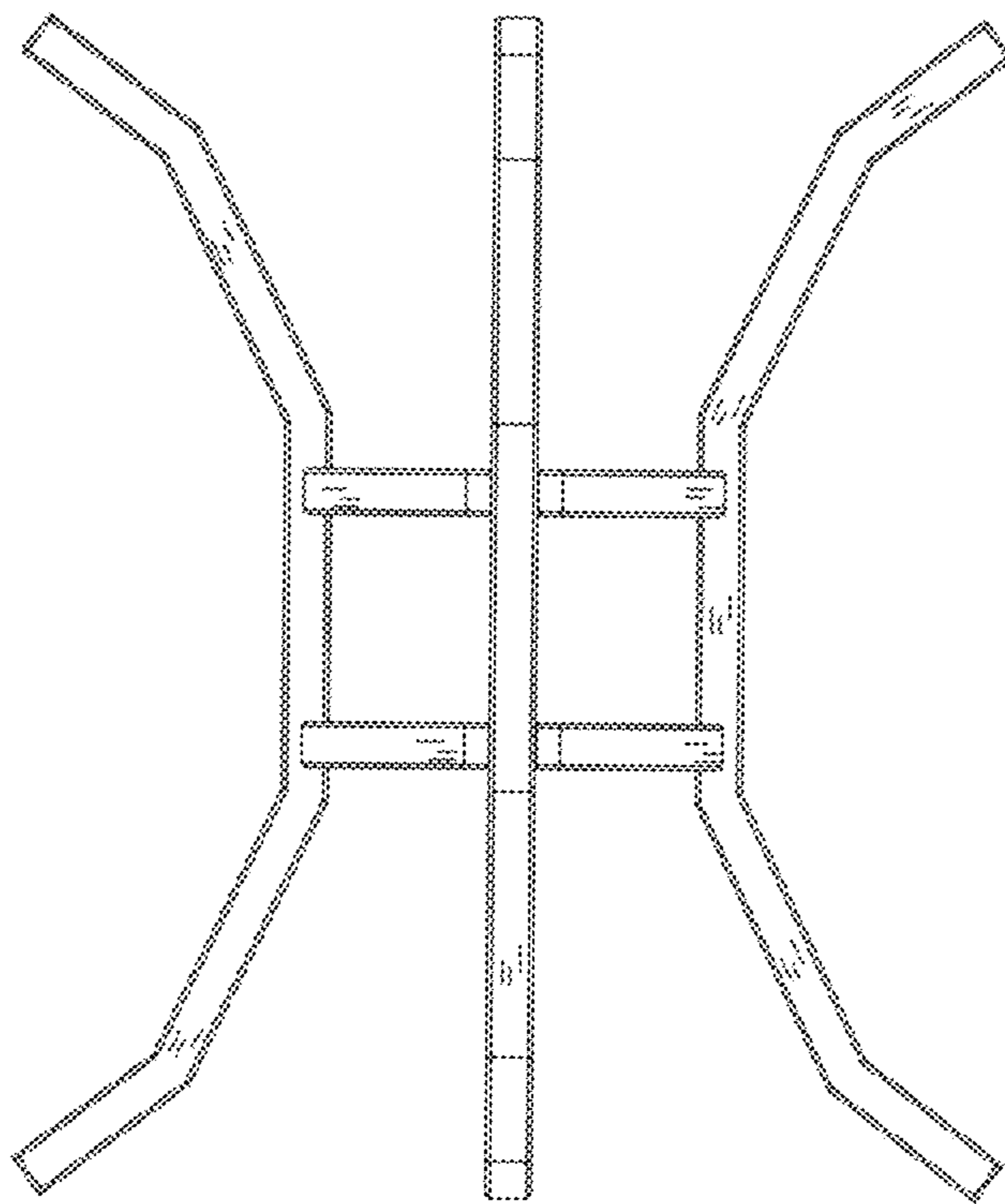


FIG. 2



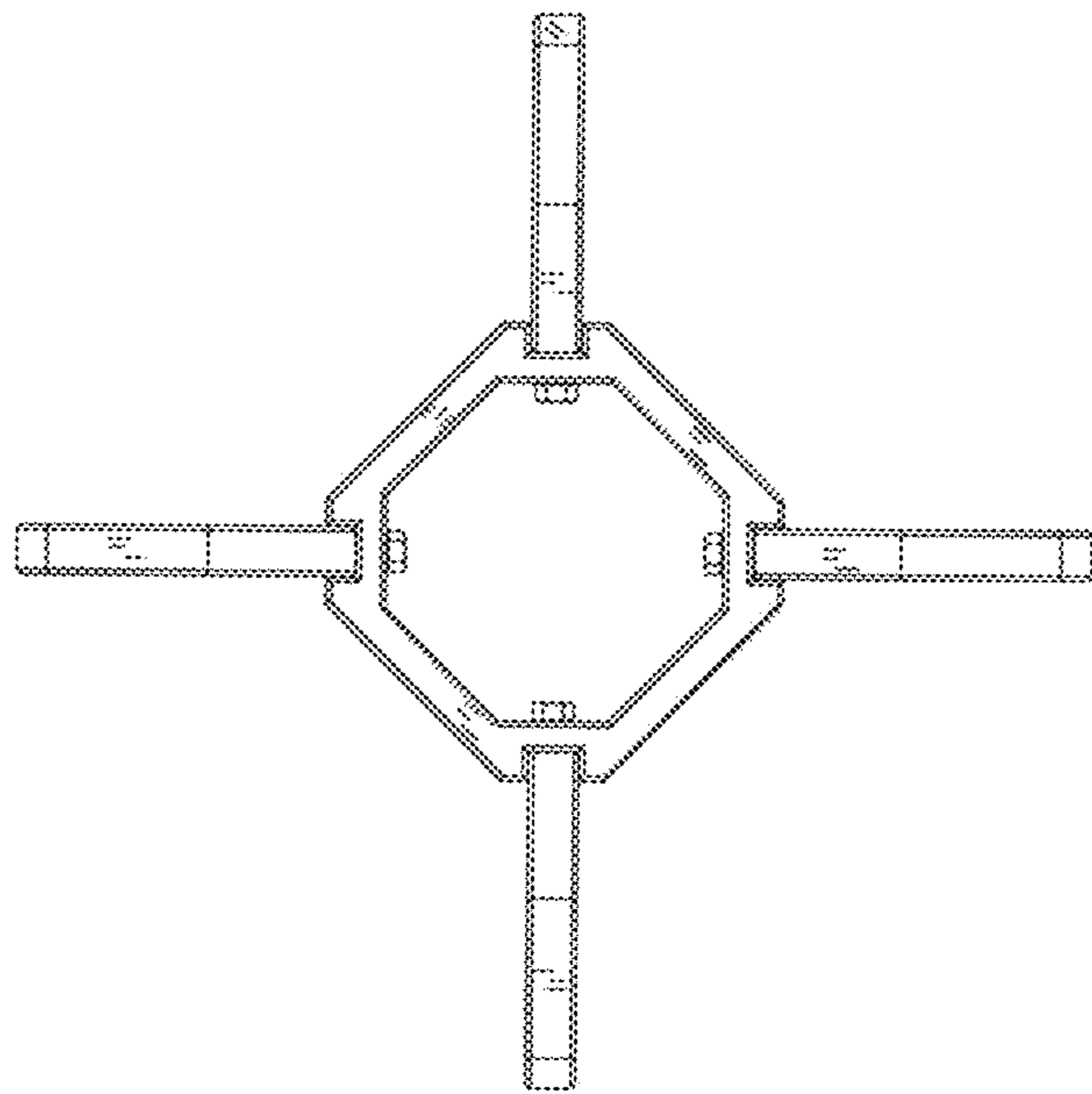


FIG. 3

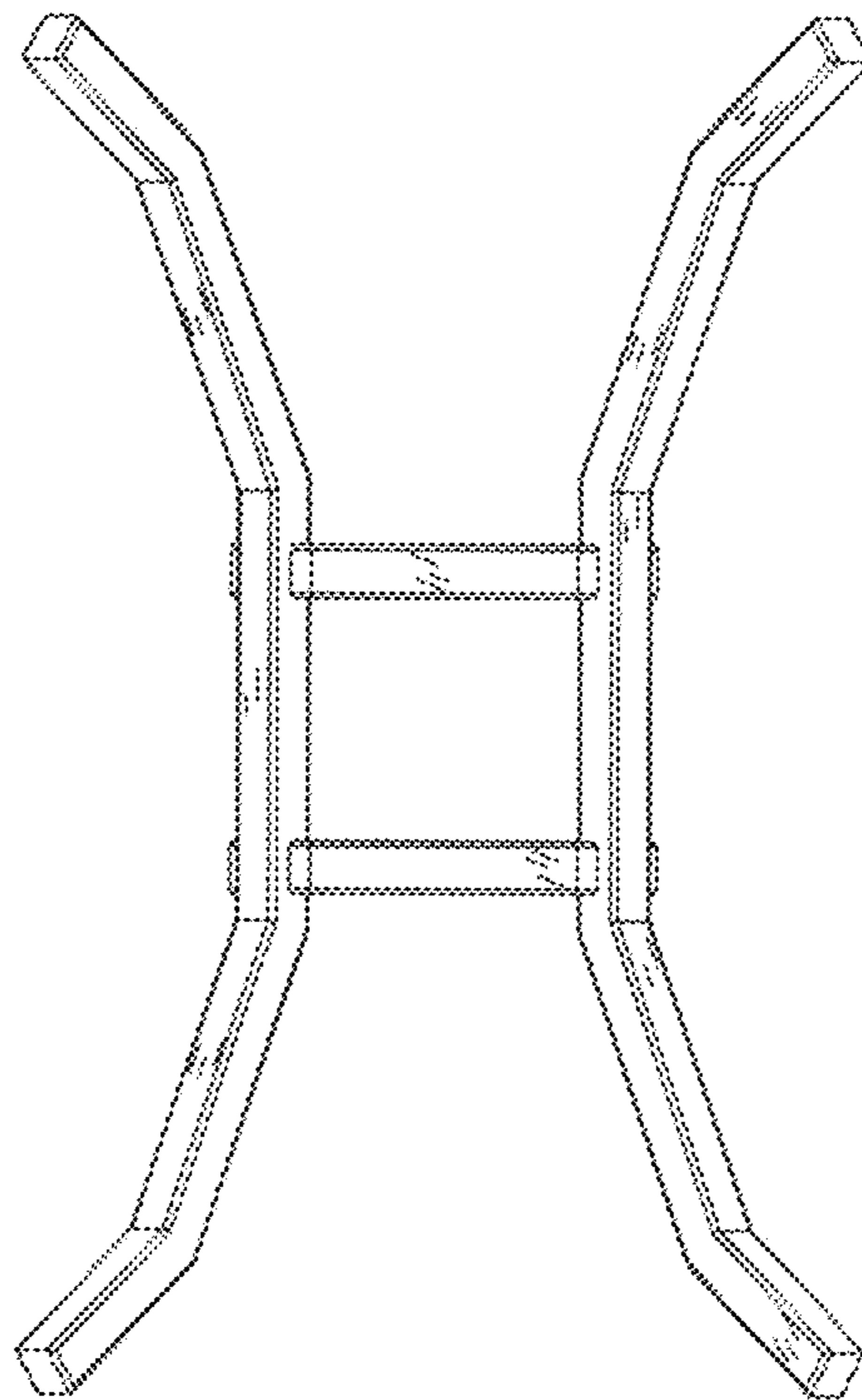


FIG. 4

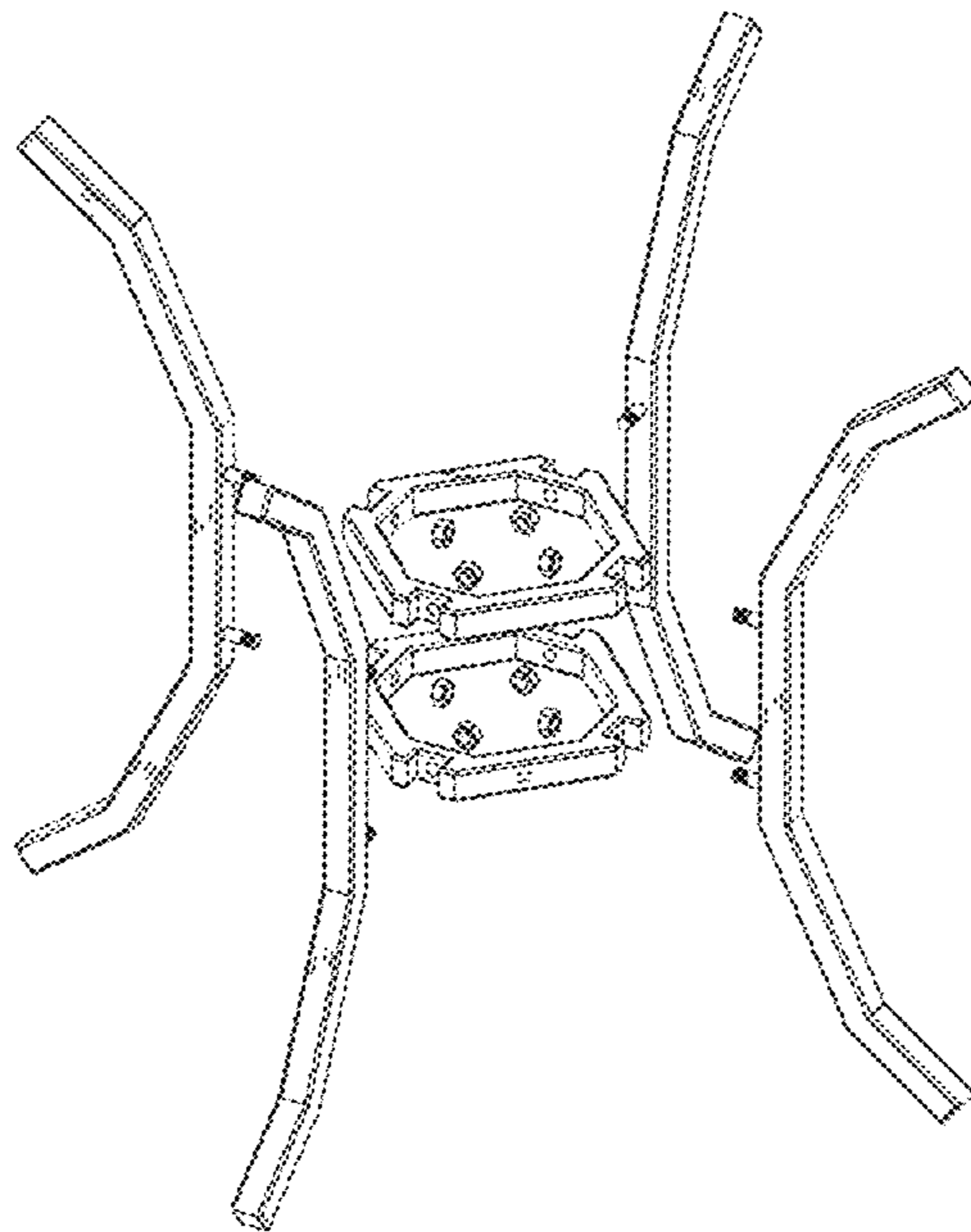


FIG. 5