



US00D802114S

(12) **United States Design Patent** (10) **Patent No.:** **US D802,114 S**
Busta (45) **Date of Patent:** **** Nov. 7, 2017**

(54) **COMBINATION CEILING FAN AND LIGHT FIXTURE**

D310,561 S 9/1990 Janicz
D314,618 S 2/1991 Yen
D323,028 S 1/1992 Holbrook

(Continued)

(71) Applicant: **Minka Lighting, Inc.**, Corona, CA (US)

(72) Inventor: **Jeff Busta**, La Crescenta, CA (US)

(73) Assignee: **Minka Lighting, Inc.**, Corona, CA (US)

(**) Term: **15 Years**

(21) Appl. No.: **29/603,786**

(22) Filed: **May 12, 2017**

OTHER PUBLICATIONS

Patricia-5 Matthiew Fan Company. matthewsfanco.com. (online PDF) 2 pgs. Designed 2015 [retrieved on Sep. 27, 2016] <http://www.matthewsfanco.com/index.php?p=Patricia-5> PDF URL: <http://www.matthewsfanco.com/uploads/images/Patricia-5/Patricia-5.pdf>.

(Continued)

Primary Examiner — Susan Bennett Hattan
Assistant Examiner — Marie D. Fast Horse
(74) *Attorney, Agent, or Firm* — Baker & McKenzie LLP

Related U.S. Application Data

(63) Continuation of application No. 29/549,731, filed on Dec. 28, 2015, now Pat. No. Des. 788,283.

(51) **LOC (10) Cl.** **23-04**

(52) **U.S. Cl.**
USPC **D23/377**; D26/59

(58) **Field of Classification Search**
USPC D23/377, 379, 385, 387, 411–414, 499; D26/59, 51, 72, 73, 80–86, 88, 90, 113, D26/118, 121, 123, 124; 416/1, 5, 170 R, 416/214 R, 184, 206, 207, 210 R, 220 R, 416/244 R, 248; 392/364
CPC F04C 25/088; F04C 29/005; F04C 29/601; F04C 29/322; F04C 29/324; F04C 29/34; F21V 33/0096

See application file for complete search history.

(56) **References Cited**

U.S. PATENT DOCUMENTS

D284,304 S 6/1986 Harber
D290,748 S 7/1987 Kawai
D292,313 S 10/1987 Kawai
D297,974 S 10/1988 Sonneman
D303,425 S 9/1989 Sonneman

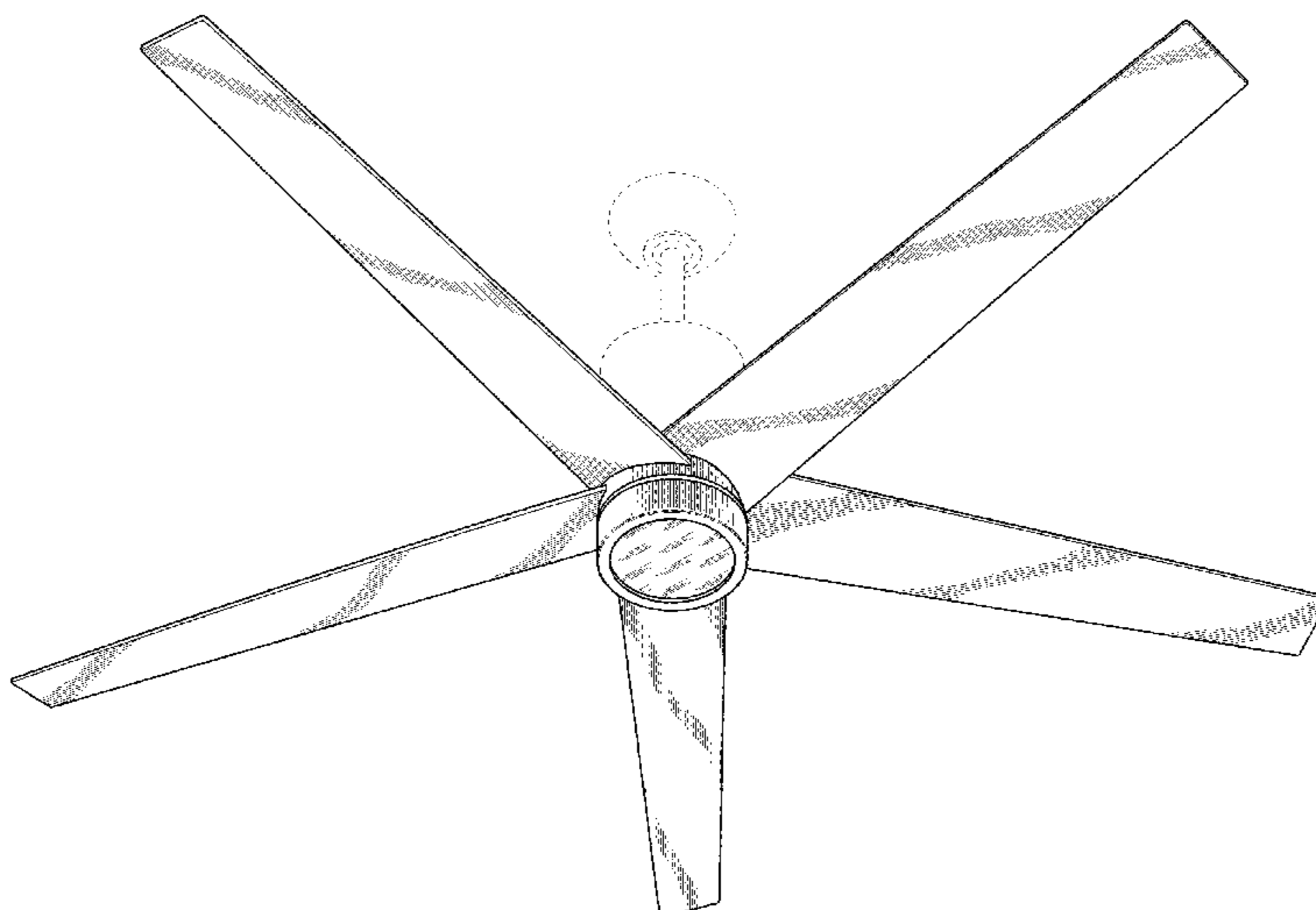
(57) **CLAIM**

The ornamental design for a combination ceiling fan and light fixture, as shown and described.

DESCRIPTION

FIG. 1 is a perspective view of a combination ceiling fan and light fixture in accordance with my design;
FIG. 2 is a top plan view of the combination ceiling fan and light fixture in accordance with my design;
FIG. 3 is a bottom plan view of the combination ceiling fan and light fixture in accordance with my design;
FIG. 4 is a front elevation view of the combination ceiling fan and light fixture in accordance with my design;
FIG. 5 is a rear elevation view of the combination ceiling fan and light fixture in accordance with my design;
FIG. 6 is a left-side elevation view of the combination ceiling fan and light fixture in accordance with my design; and,
FIG. 7 is a right-side elevation view of the combination ceiling fan and light fixture in accordance with my design. The broken-line disclosure of elements is understood to represent portions of the article in which the design is embodied, but which form no part of the claimed design.

1 Claim, 5 Drawing Sheets



(56)

References Cited

U.S. PATENT DOCUMENTS

D328,491	S	8/1992	Markwardt	
D328,785	S	8/1992	Markwardt	
D330,759	S	11/1992	Rezek	
D333,867	S	3/1993	Markwardt	
D344,129	S	2/1994	Markwardt	
D399,330	S	10/1998	Geier	
D453,216	S	1/2002	Gajewski	
D547,436	S	7/2007	Shurtleff	
D589,191	S	3/2009	Sabernig	
D600,390	S	9/2009	Sabernig	
D609,324	S	2/2010	Lee	
D609,799	S	2/2010	Lee	
D628,688	S	12/2010	Pan	
D664,287	S	7/2012	Cegnar	
D706,970	S	6/2014	Wang	
D707,336	S	6/2014	Pan	
D744,634	S	12/2015	Wang	
D751,187	S	3/2016	Dolan	
D772,393	S *	11/2016	Wang	D23/377
D783,796	S *	4/2017	Badarello	D23/385
D788,283	S *	5/2017	Busta	D23/377
D788,286	S *	5/2017	Busta	D23/411
2007/0009363	A1	1/2007	King	

OTHER PUBLICATIONS

52_Casa Vieja Revue Brushed Nickel-LED Ceiling Fan. lampsplus.com. (online) 5 pgs. Available at least as early as 9/30/2014 [retrieved on Sep. 27, 2016] http://www.lampsplus.com/products/52-inch-casa-vieja-revue-brushed-nickel-led-ceiling-fan_4g530.html#read-reviews-tab.

44" Casa Metro® LED Brushed Nickel Ceiling Fan. lampsplus.com. (online) 5 pgs. Available at least as early as May 4, 2014 [retrieved on Sep. 27, 2016] http://www.lampsplus.com/products/44-inch-casa-metro-led-brushed-nickel-ceiling-fan_y7858.html#read-reviews-tab.

Cirrus Ceiling Fan with Optional Light (by Modem Fan Company). lumens.com. (online) 4 pgs. Available at least as early as Jul. 23, 2009 [retrieved on Sep. 27, 2016] <http://www.lumens.com/cirrus-ceiling-fan-with-optional-light-by-modem-fan-company-PAAAAAHJEHKHAFCG.html#viewall=true&prefn1=brand&prefv1=Modem%20Fan%20Company&cgid=84&viewall=true&til>.

Bullet Ceiling Fan (by Casablanca Fan Company). lumens.com (online) 4pgs. Available at least as early as Jun. 7, 2013 [retrieved on Sep. 27, 2016] <http://lumens.com/bullet-ceiling-fan-by-casablanca-fan-company-uu383076.html>.

* cited by examiner

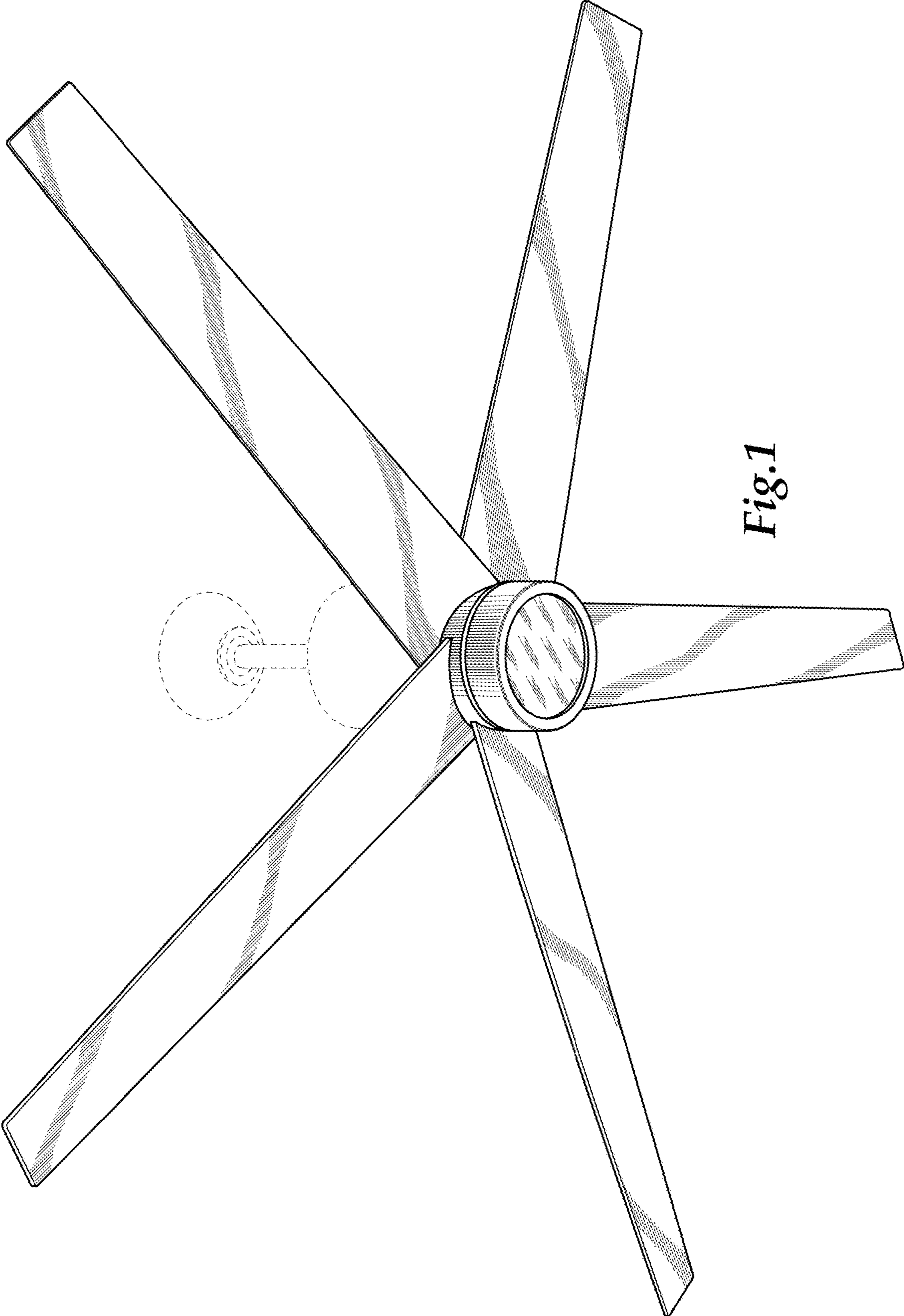


Fig. 1

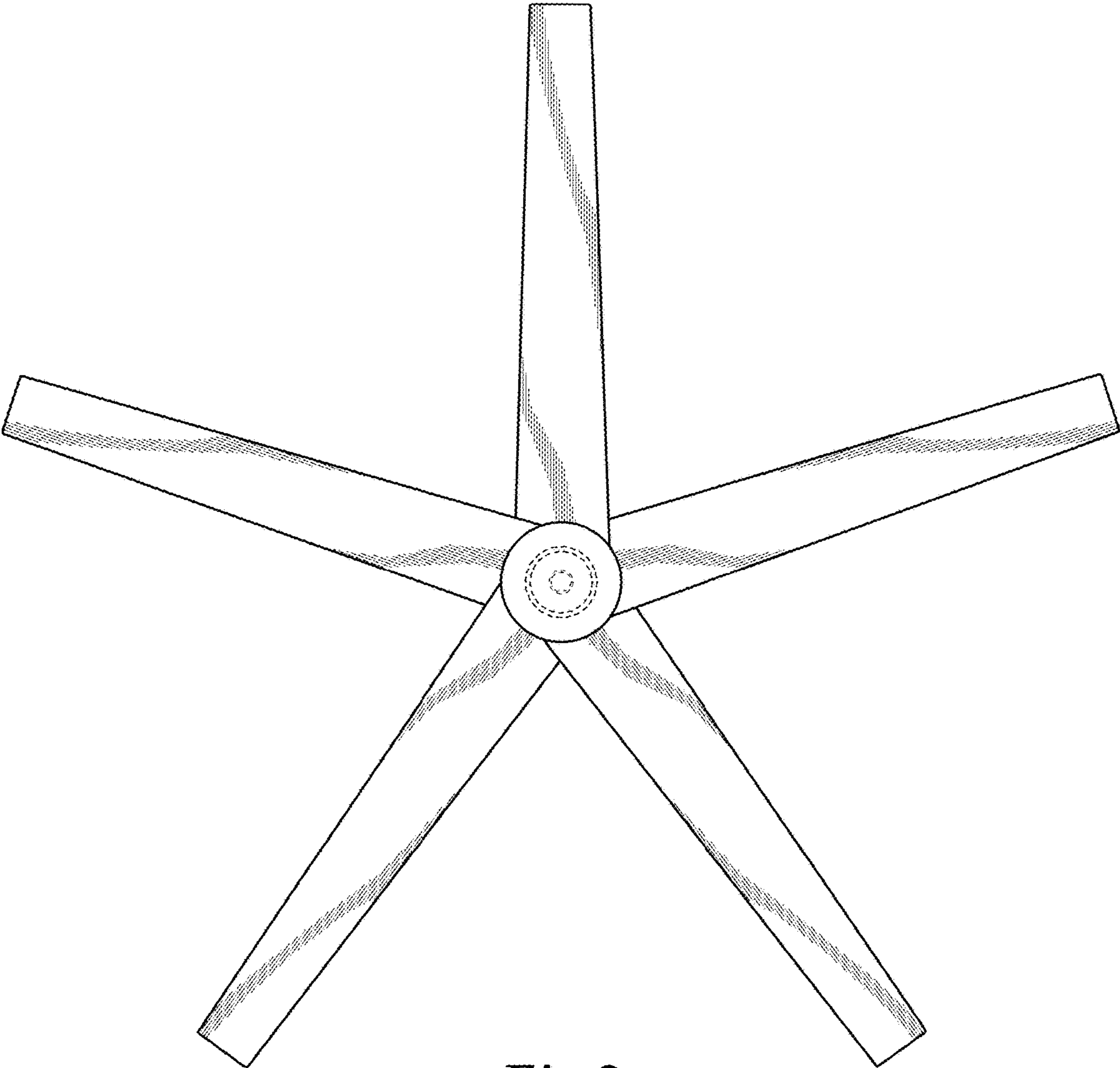


Fig.2

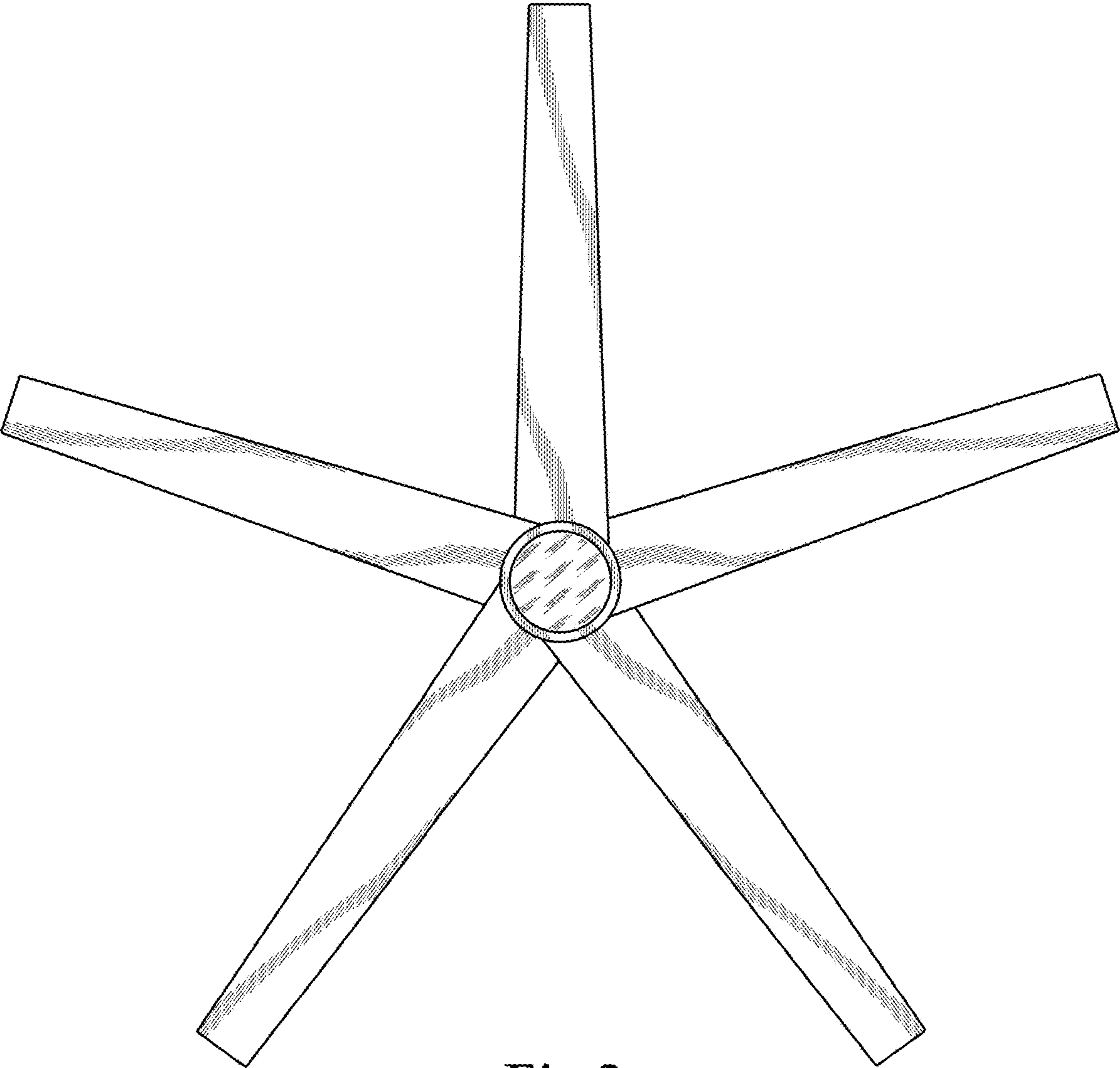
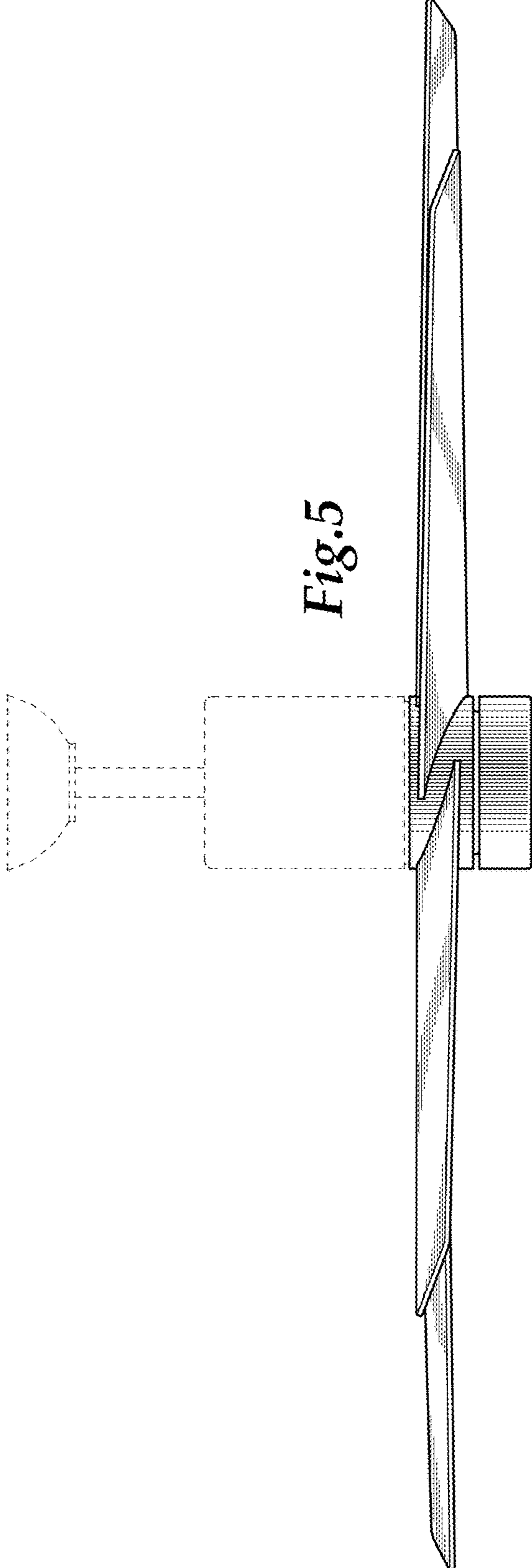
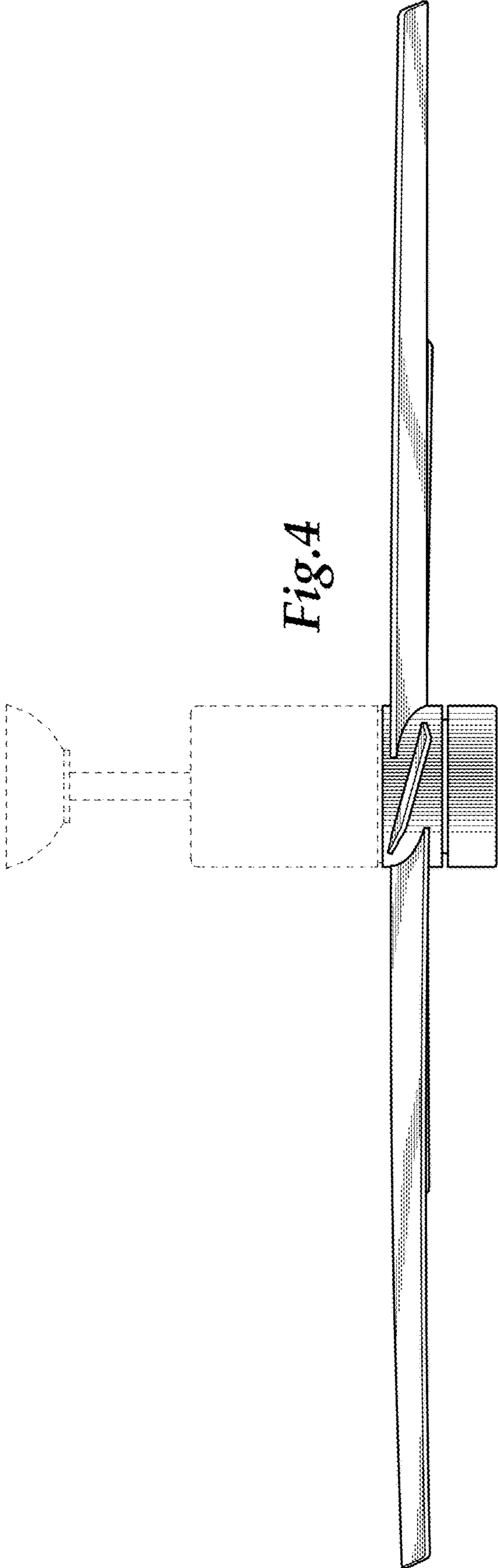


Fig.3



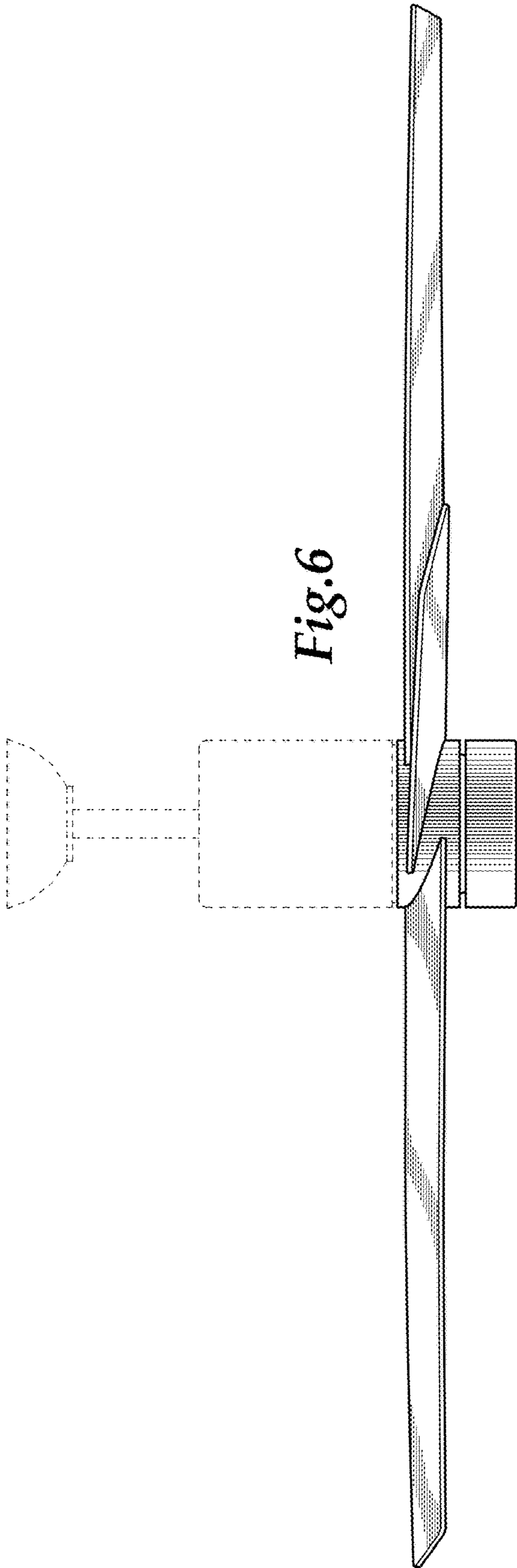


Fig. 6

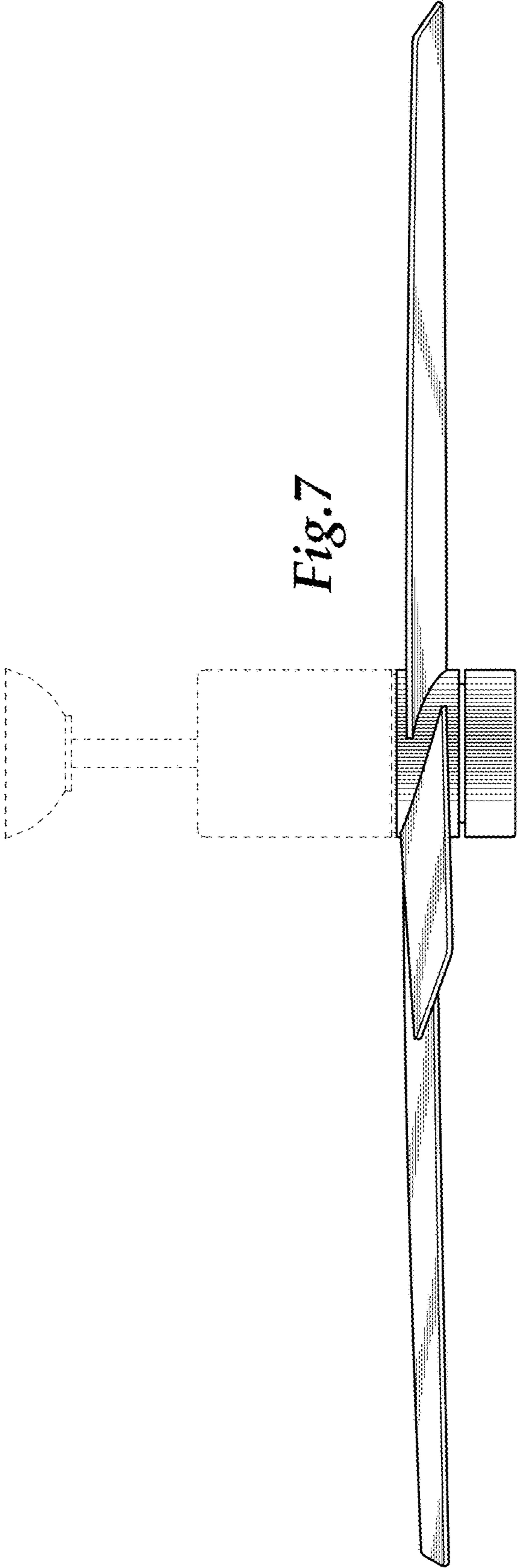


Fig. 7