



US00D802113S

(12) **United States Design Patent** (10) **Patent No.:** **US D802,113 S**  
**Hoss** (45) **Date of Patent:** **\*\* Nov. 7, 2017**

(54) **AXIAL FAN**

(71) Applicant: **ebm-papst Mulfingen GmbH & Co. KG, Mulfingen (DE)**

(72) Inventor: **Sebastian Hoss, Bad Mergentheim (DE)**

(73) Assignee: **ebm-papst Mulfingen GmbH & Co. KG, Mulfingen (DE)**

(\*\*) Term: **15 Years**

(21) Appl. No.: **29/547,679**

(22) Filed: **Dec. 7, 2015**

(30) **Foreign Application Priority Data**

Dec. 4, 2015 (EM) ..... 002889618

(51) **LOC (10) Cl.** ..... **23-04**

(52) **U.S. Cl.**  
USPC ..... **D23/370**

(58) **Field of Classification Search**  
USPC ..... D23/370, 377, 379, 381, 382, 385, 411,  
D23/413, 414, 332, 328; D26/59;  
D15/5, 7

CPC ..... F04D 25/08; F04D 29/388; F04D 29/34;  
F04D 25/088; H02K 1/187

See application file for complete search history.

(56) **References Cited**

U.S. PATENT DOCUMENTS

D513,799 S *	1/2006	Li	.....	D23/411
D733,861 S *	7/2015	Haaf	.....	D23/370
D779,048 S *	2/2017	Hoss	.....	D23/370
2013/0004349 A1 *	1/2013	Haaf	.....	F04D 29/329
				417/423.7
2013/0022479 A1 *	1/2013	Haaf	.....	F04D 25/082
				417/369
2015/0330411 A1 *	11/2015	Heli	.....	F04D 29/542
				415/208.2

\* cited by examiner

*Primary Examiner* — Janice Hallmark

(74) *Attorney, Agent, or Firm* — Harness, Dickey & Pierce, P.L.C.

(57) **CLAIM**

The ornamental design for an axial fan, as shown and described.

**DESCRIPTION**

FIG. 1 is a first end perspective view of the axial fan showing my new design;

FIG. 2 is a first side view thereof;

FIG. 3 is another first end perspective view thereof;

FIG. 4 is a second side view thereof;

FIG. 5 is a second end view thereof; and,

FIG. 6 is a second end perspective view thereof.

**1 Claim, 6 Drawing Sheets**

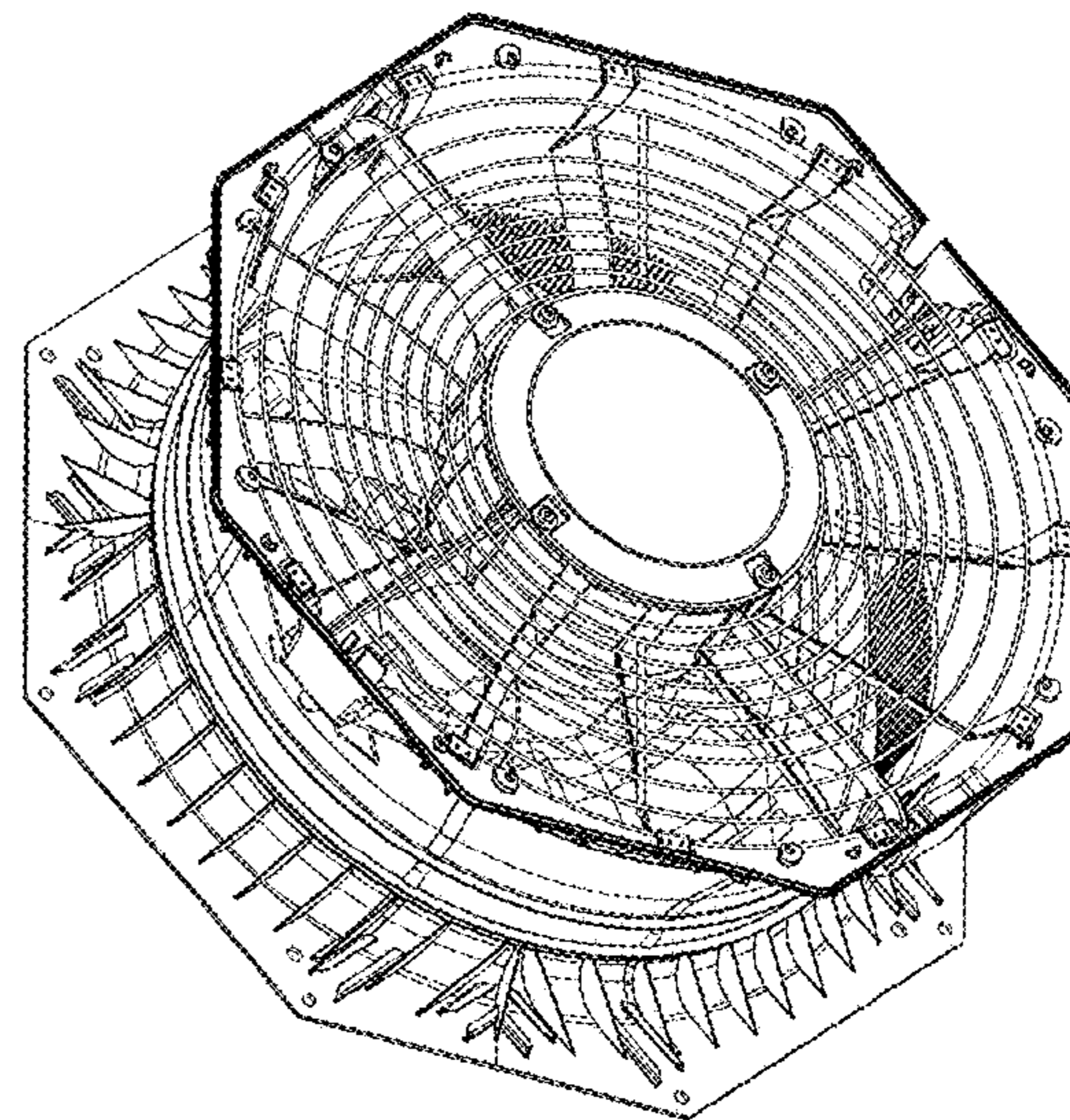
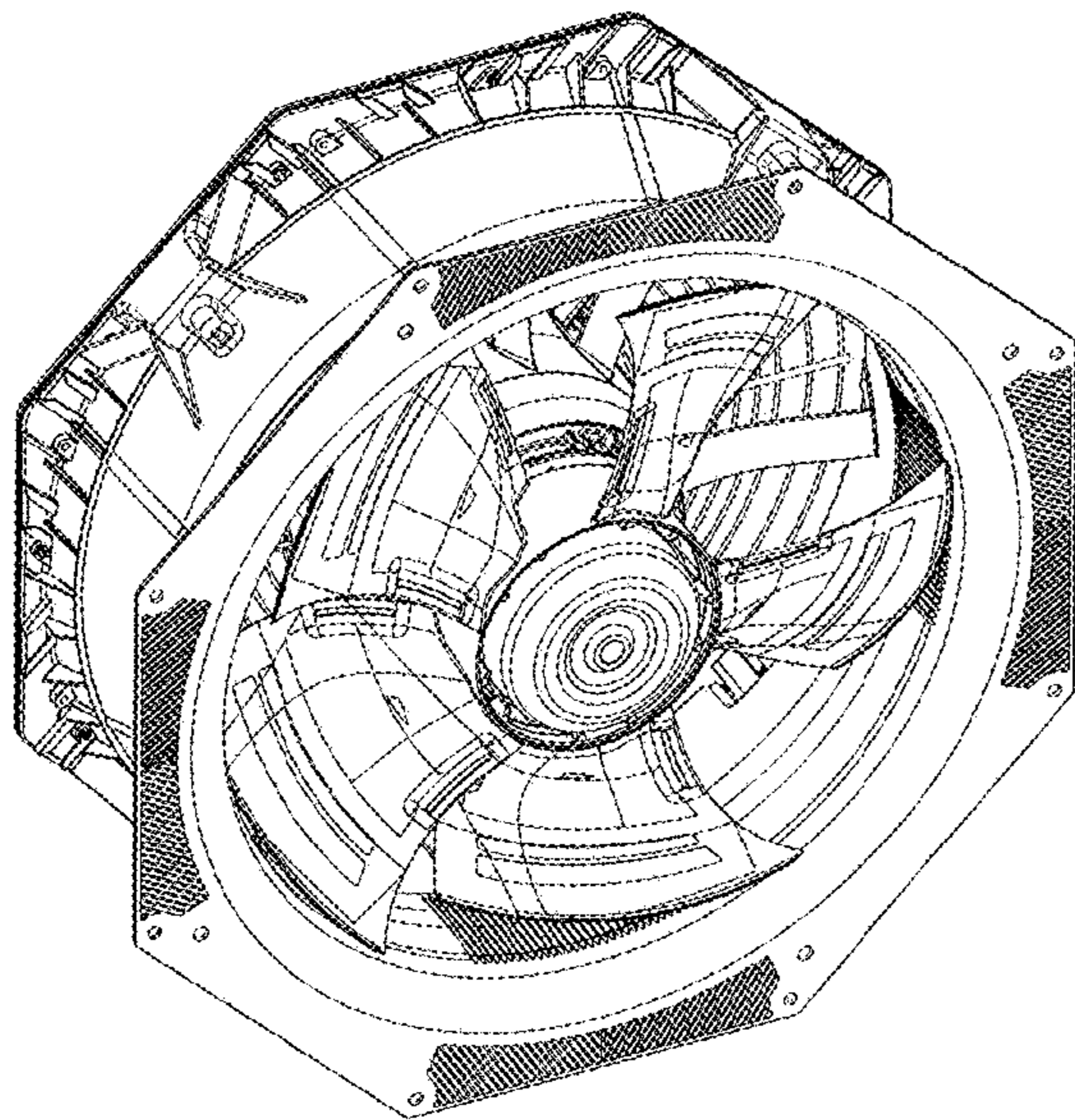


FIG. 1

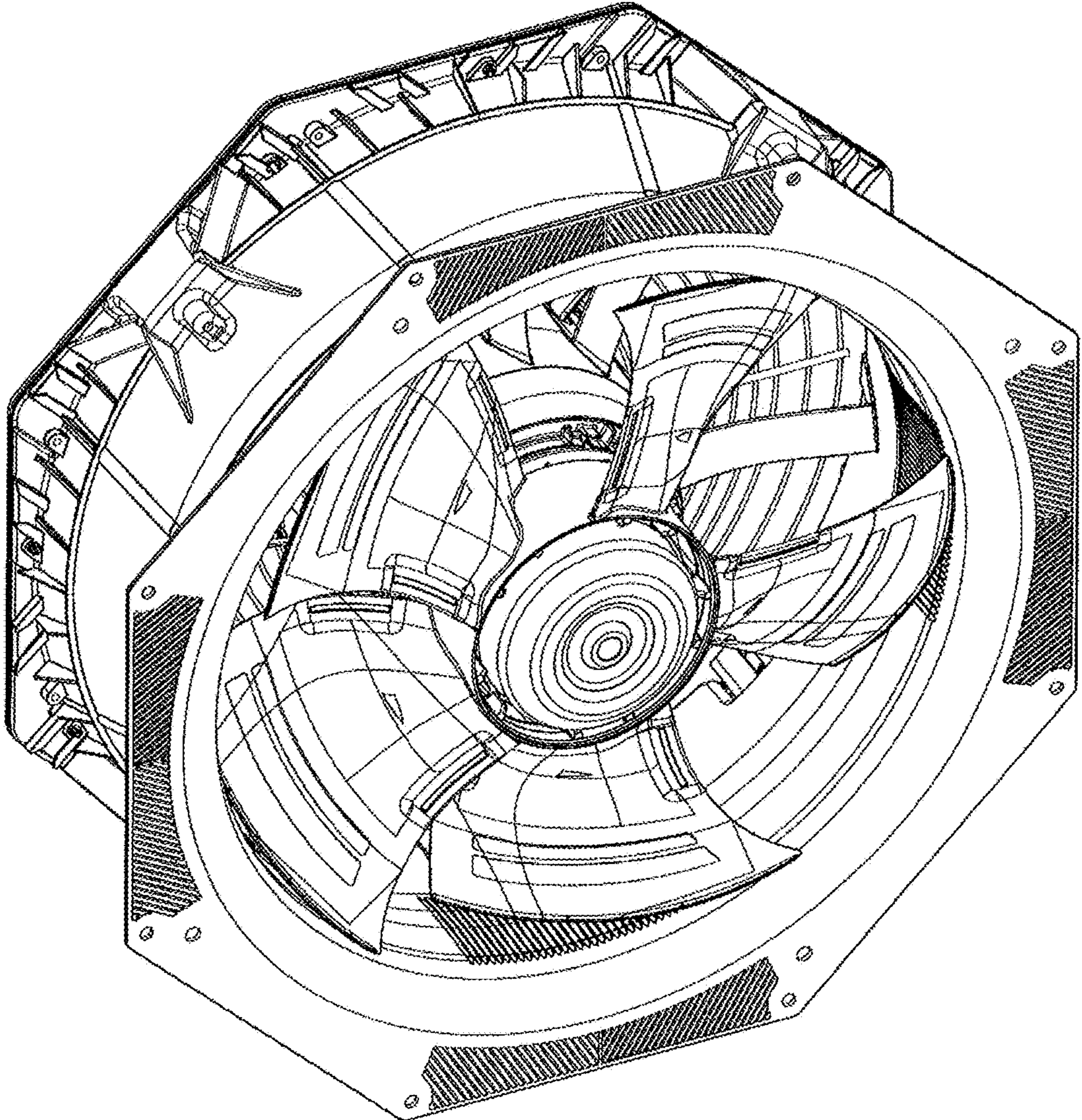


FIG. 2

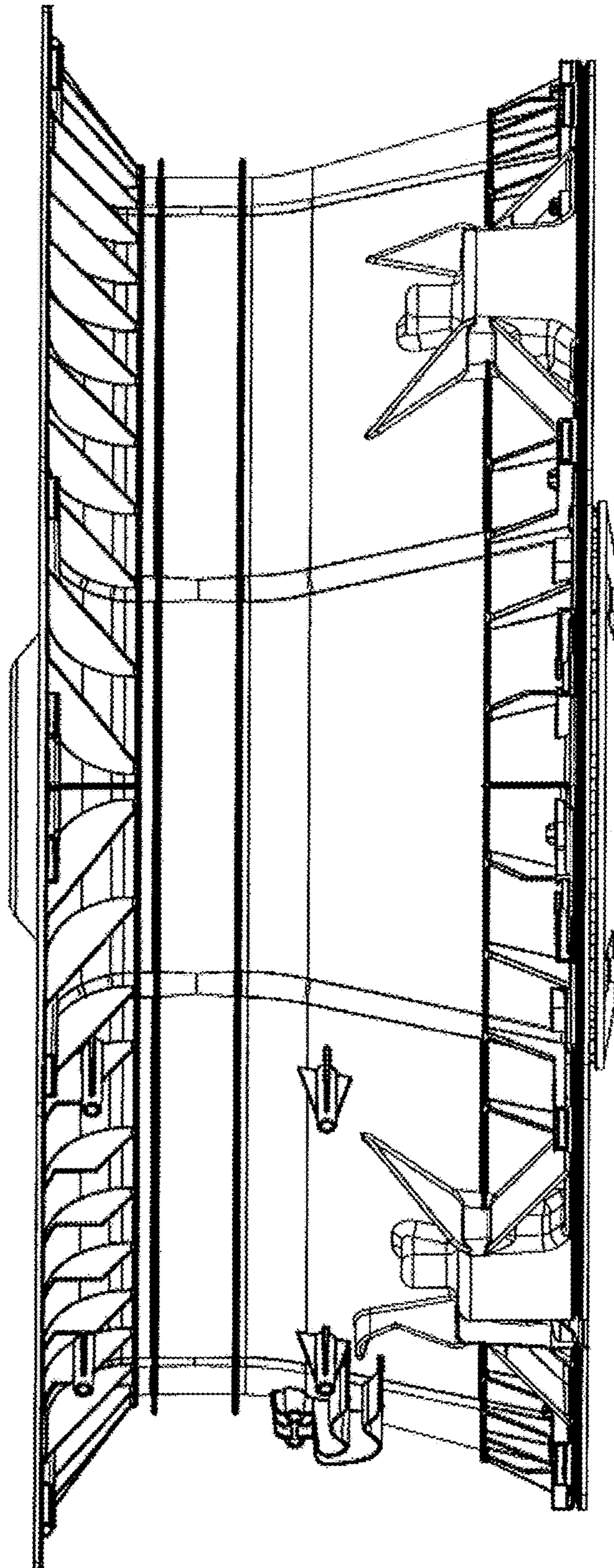


FIG. 3

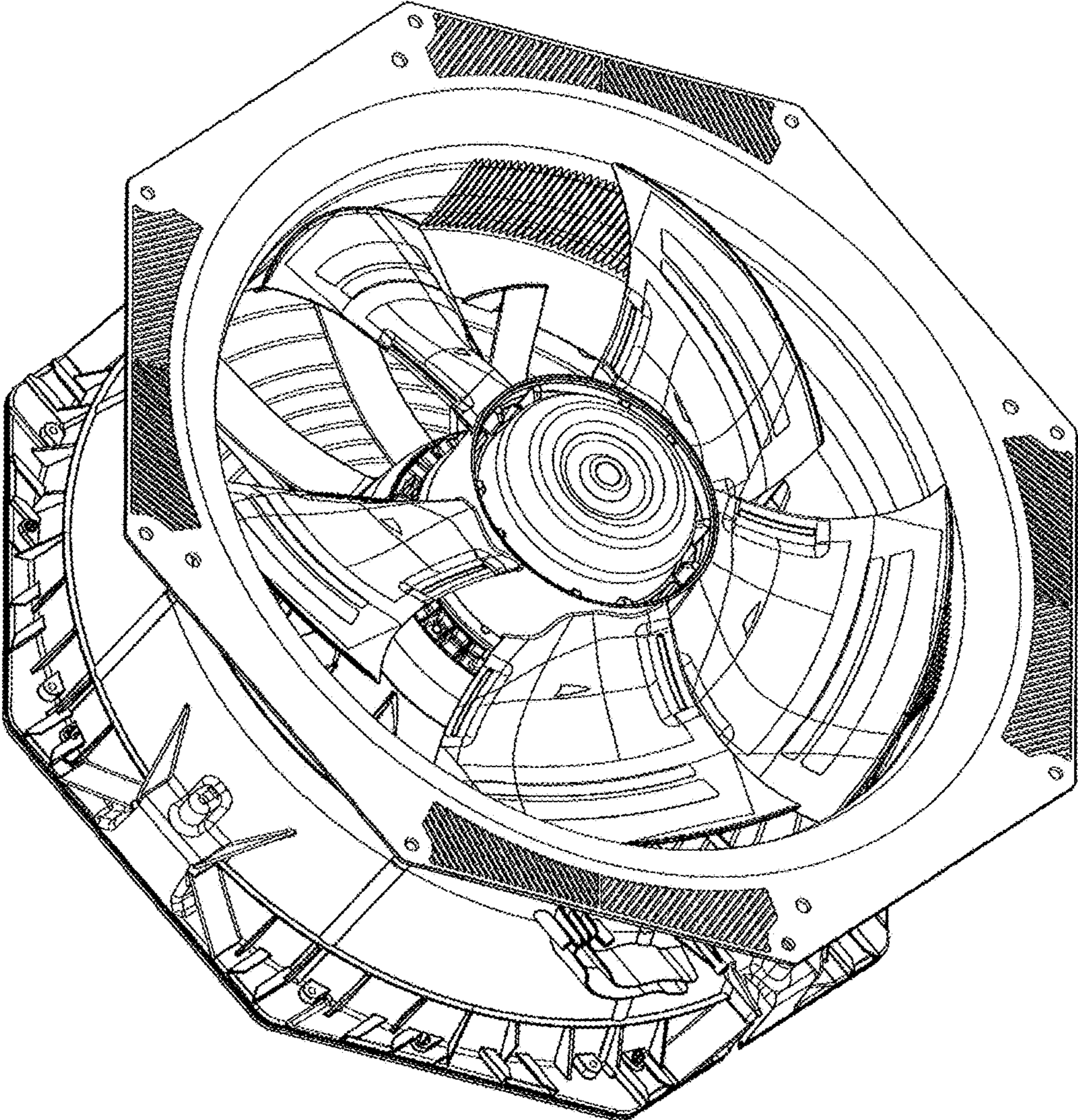


FIG. 4

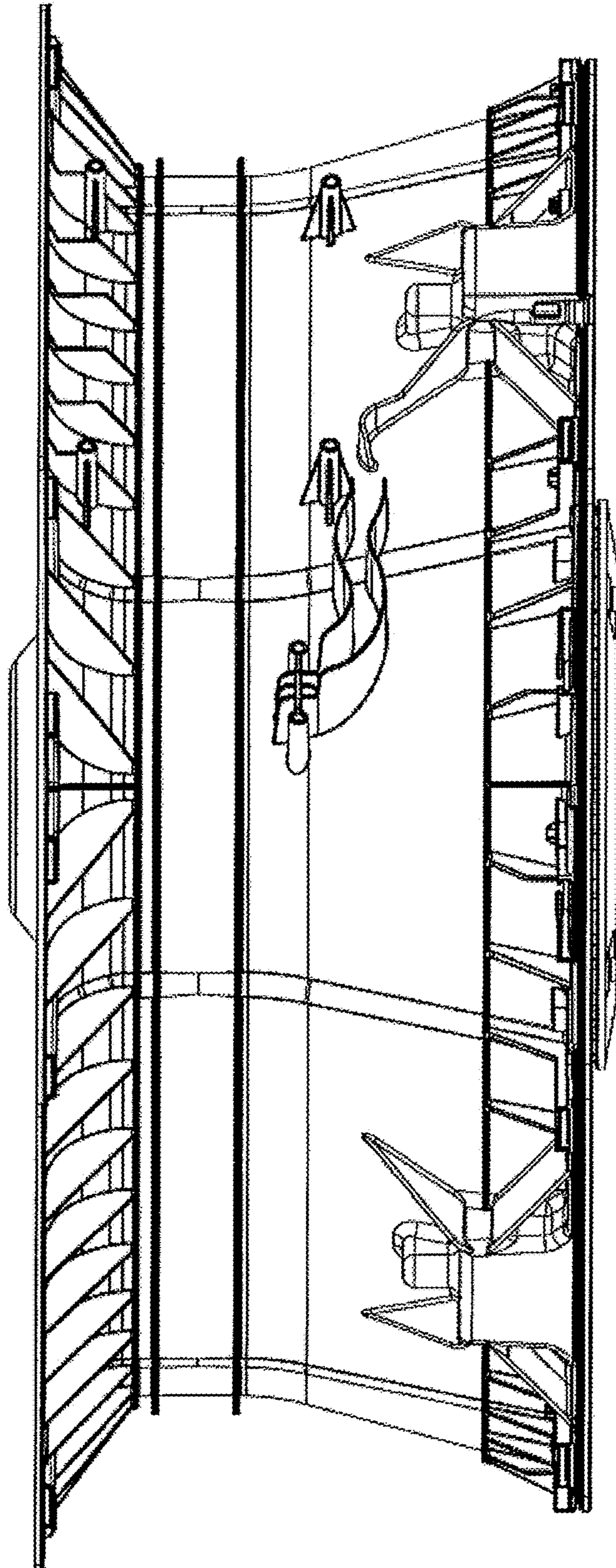


FIG. 5

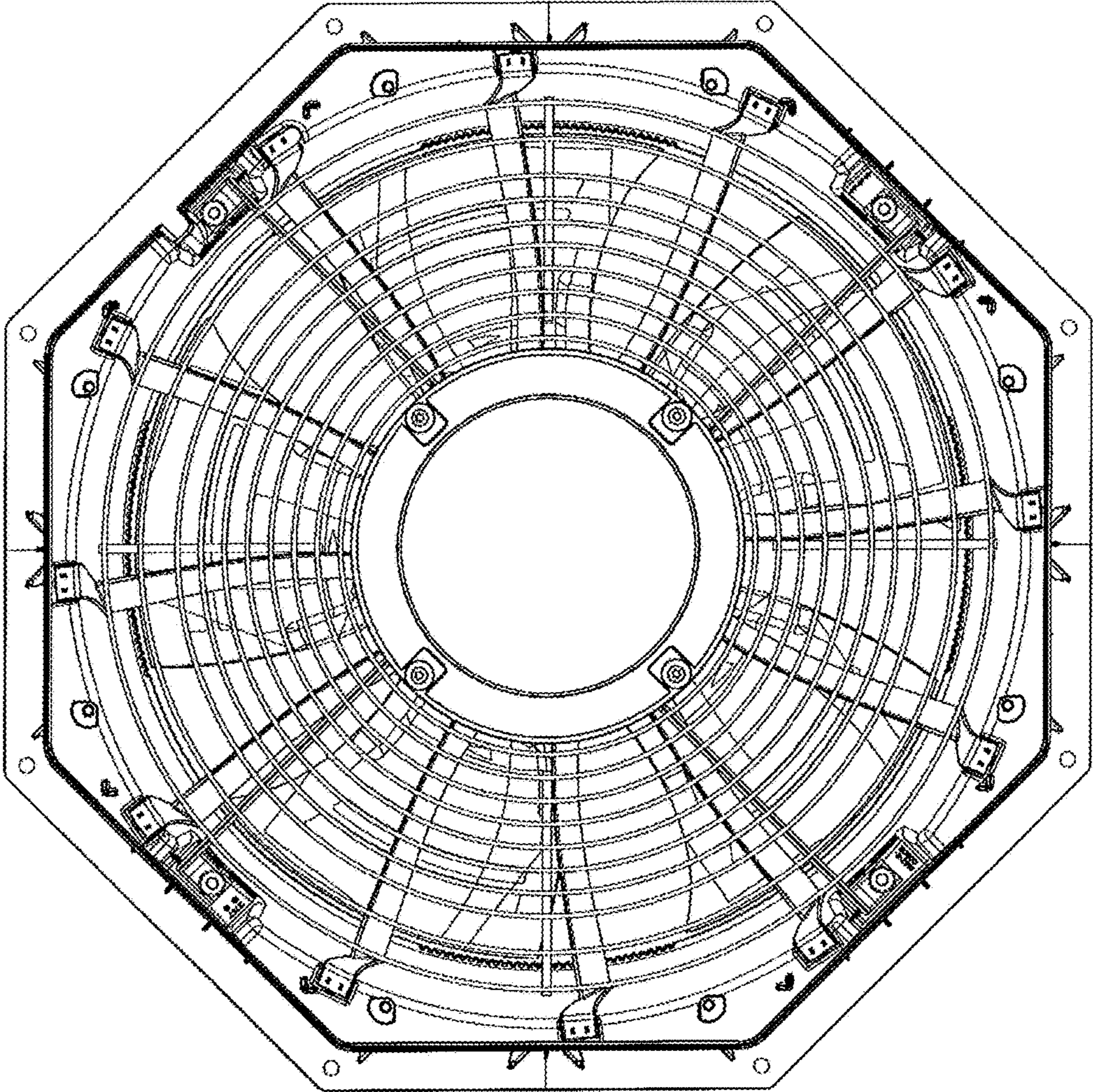


FIG. 6

