



US00D802111S

(12) **United States Design Patent** (10) **Patent No.:** **US D802,111 S**
Storz (45) **Date of Patent:** **** Nov. 7, 2017**

(54) **EVAPORATOR**
(71) Applicant: **Stobi GmbH & Co. KG**, Tuttlingen (DE)
(72) Inventor: **Markus Storz**, Tuttlingen (DE)
(73) Assignee: **Stobi GmbH & Co. KG**, Tuttlingen (DE)

D410,540 S * 6/1999 Pinchuk D23/364
D411,000 S * 6/1999 Moore D23/356
D411,001 S * 6/1999 Pinchuk D23/364
D472,968 S * 4/2003 Christianson D23/364
D517,181 S * 3/2006 Kang D23/356
D547,440 S * 7/2007 Louet-Feisser D24/110
D565,159 S * 3/2008 Shin D23/356
D576,263 S * 9/2008 Snow D23/356

(Continued)

(**) Term: **15 Years**
(21) Appl. No.: **29/557,049**

FOREIGN PATENT DOCUMENTS

IE WO 2012140637 A1 * 10/2012 A61L 9/03
JP WO 2014080830 A1 * 5/2014 A61L 9/00

(22) Filed: **Mar. 4, 2016**

OTHER PUBLICATIONS

(30) **Foreign Application Priority Data**
Sep. 21, 2015 (EM) 002775742-0002

Amazon, Mighty Portable Vaporizer, first available on Oct. 31, 2014, [online], [site visited on Jan. 18, 2017]. Available from Internet, <URL: <https://www.amazon.co.uk/MIGHTY-POR-TABLE-VAPORIZER-STORZ-BICKEL/dp/B00P2K1UQ6/>>.*

(51) **LOC (10) Cl.** **23-04**
(52) **U.S. Cl.**
USPC **D23/359**

Primary Examiner — Sheryl Lane
Assistant Examiner — Samantha N Wood
(74) *Attorney, Agent, or Firm* — Schlee IP International, P.C.; Alexander R. Schlee

(58) **Field of Classification Search**
USPC D23/355-369; D30/104, 106; D24/110
CPC . A64L 9/00; A64L 9/014; A64L 9/015; A64L 9/14; A64L 9/12; A64L 9/125; A64L 9/02; A64L 9/03; A64L 9/032; A64L 9/035; A61M 15/0021; A61M 15/0023; A61M 11/005; B05B 11/0054; B05B 11/0056

(57) **CLAIM**

The ornamental design for an evaporator, as shown and described.

See application file for complete search history.

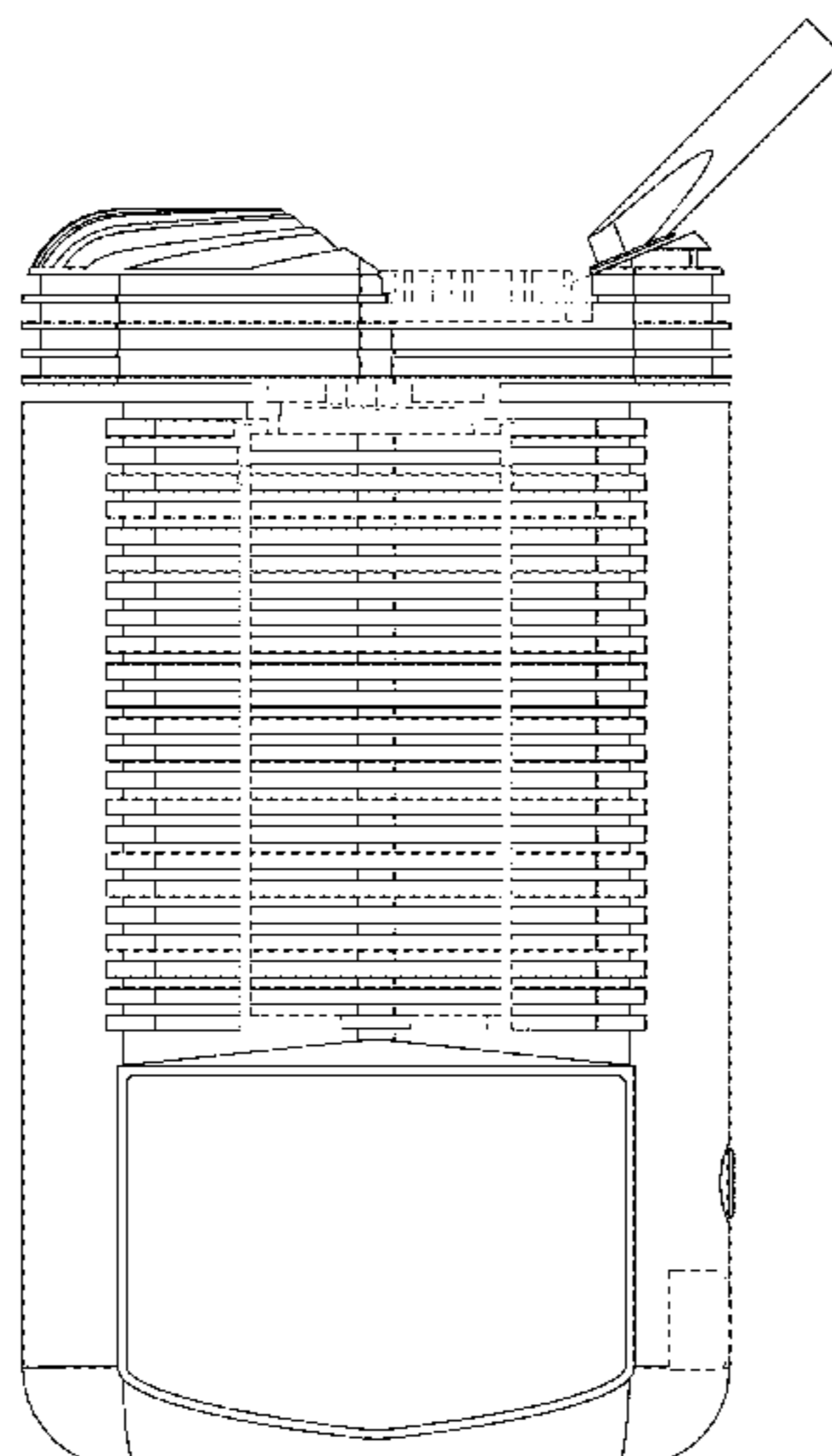
DESCRIPTION

(56) **References Cited**
U.S. PATENT DOCUMENTS

FIG. 1 is a left side view of the evaporator;
FIG. 2 is a rear side view thereof;
FIG. 3 is a top view thereof;
FIG. 4 is a front side view thereof;
FIG. 5 is a bottom view thereof; and,
FIG. 6 is a right side view thereof.
The broken lines showing portions of the evaporator are included for the purpose of illustrating portions of the article and form no part of the claimed design.

D266,701 S * 10/1982 Marloth D23/360
4,830,791 A * 5/1989 Muderlak A61L 9/122
239/35
D310,412 S * 9/1990 Fukumoto D23/359
D339,192 S * 9/1993 Nicholson D24/110
D349,334 S * 8/1994 O'Grady D23/360
D352,999 S * 11/1994 Nicholson D24/110
D377,523 S * 1/1997 Marvin D23/355
D398,045 S * 9/1998 Jane D23/336

1 Claim, 6 Drawing Sheets



(56)

References Cited

U.S. PATENT DOCUMENTS

D760,886 S * 7/2016 Peterson A61L 9/122
D23/366
2011/0236002 A1* 9/2011 Oglesby A61M 15/06
392/386
2013/0032641 A1* 2/2013 Muderlak A61L 9/12
239/34
2014/0271376 A1* 9/2014 Muderlak A61L 9/122
422/124

* cited by examiner

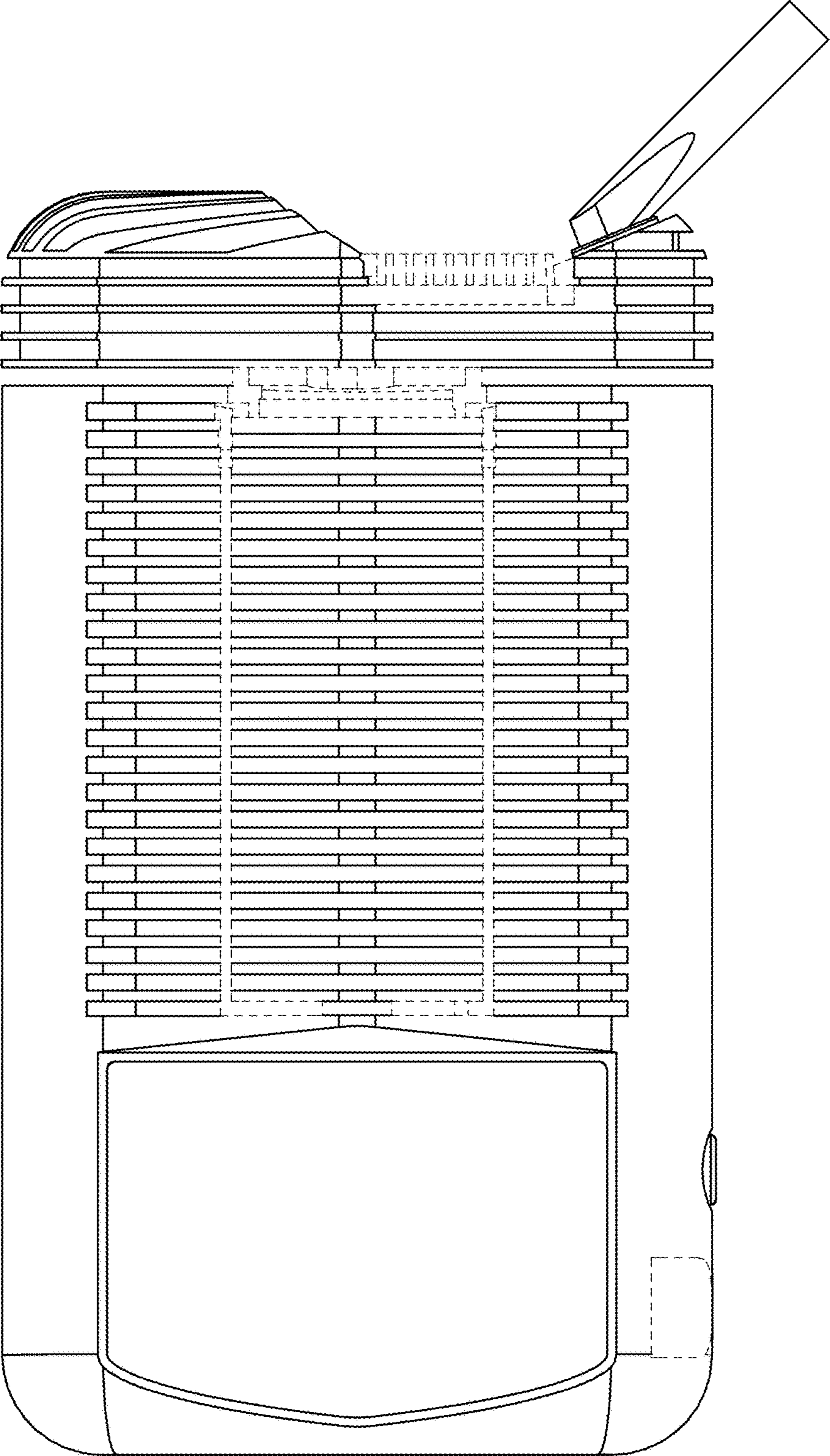


FIG. 1

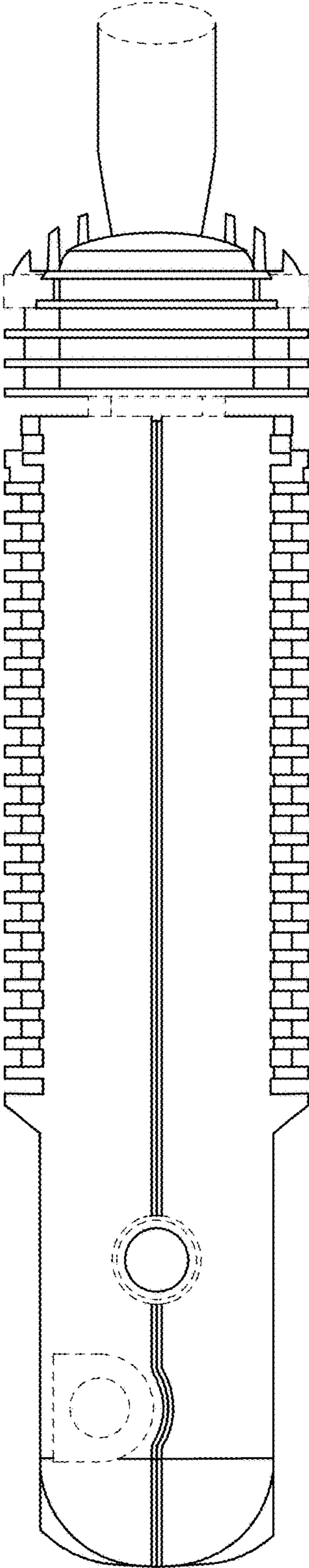


FIG. 2

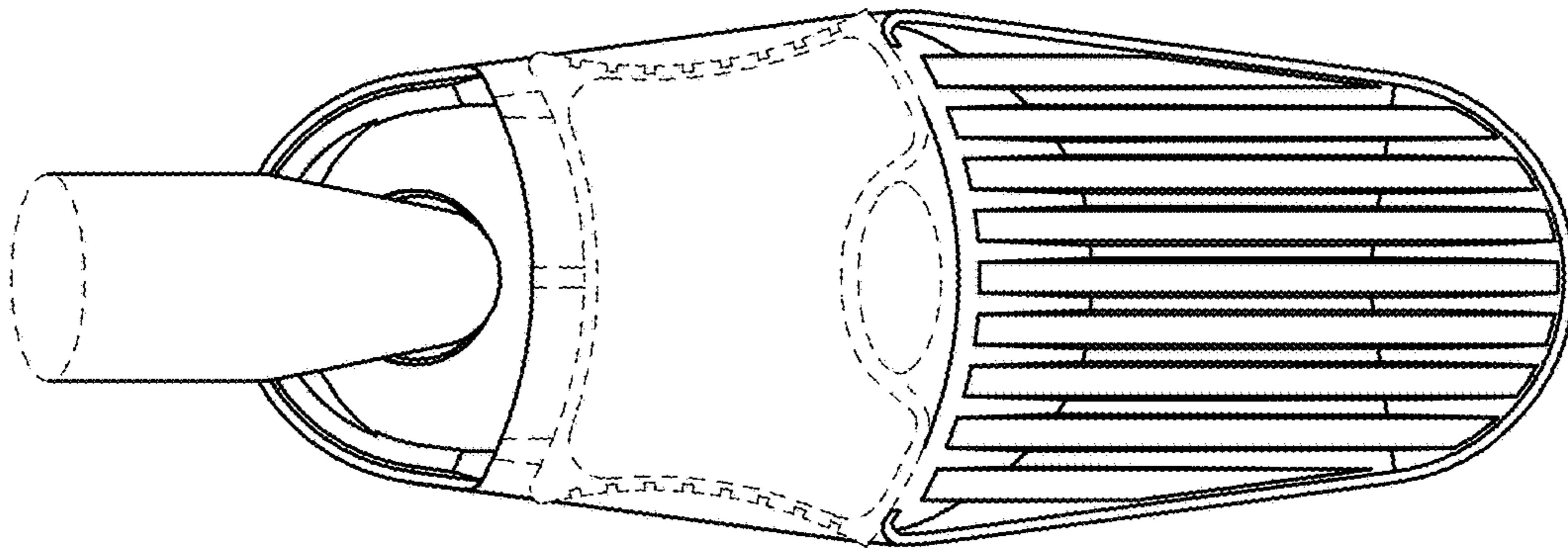


FIG. 3

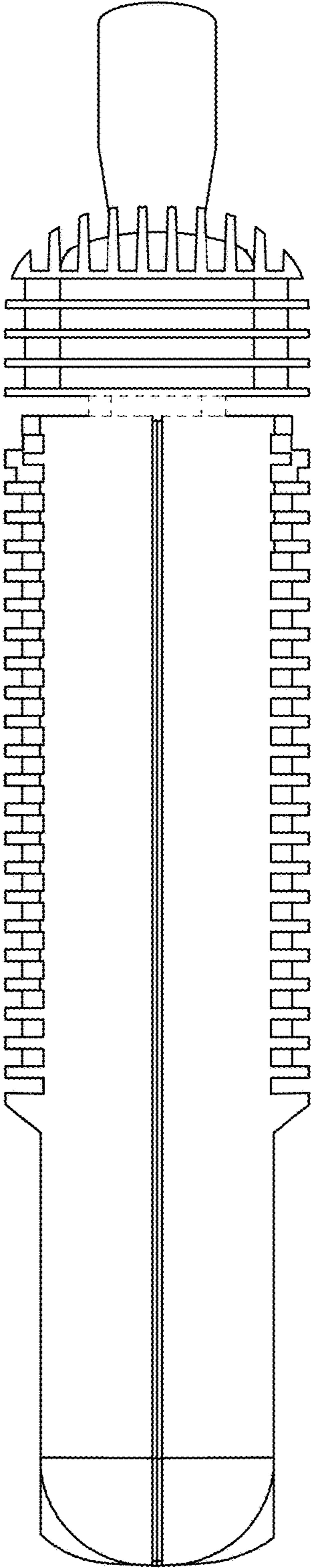


FIG. 4

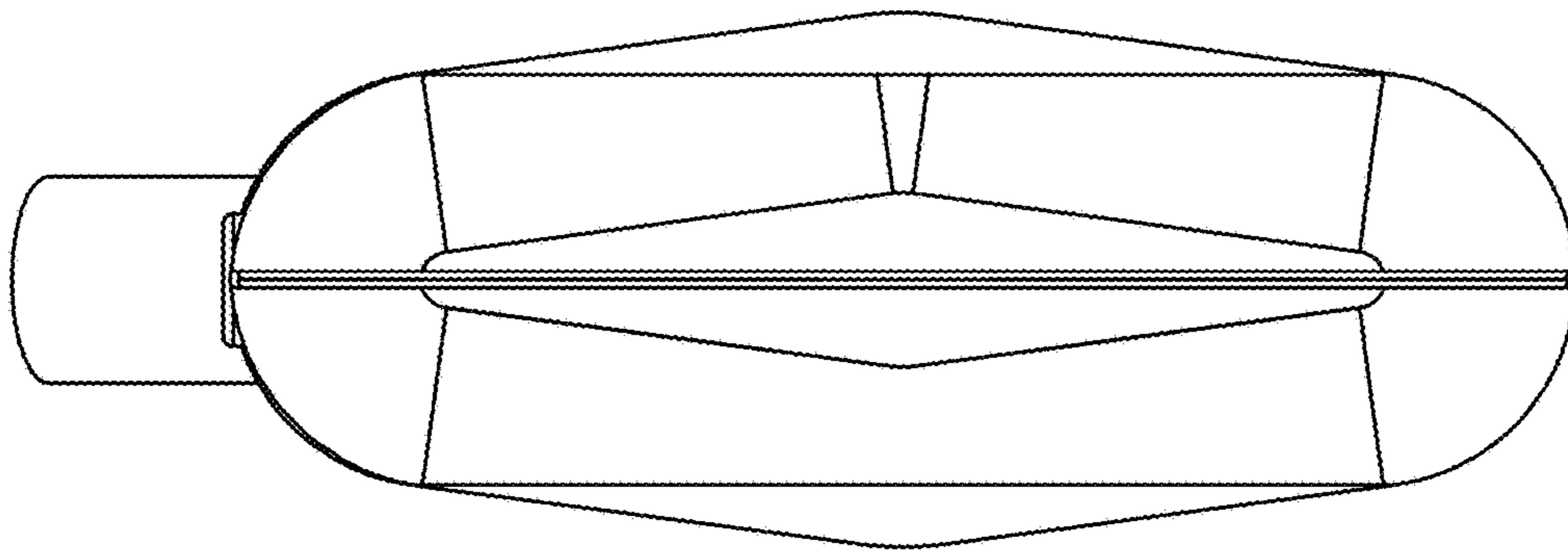


FIG. 5

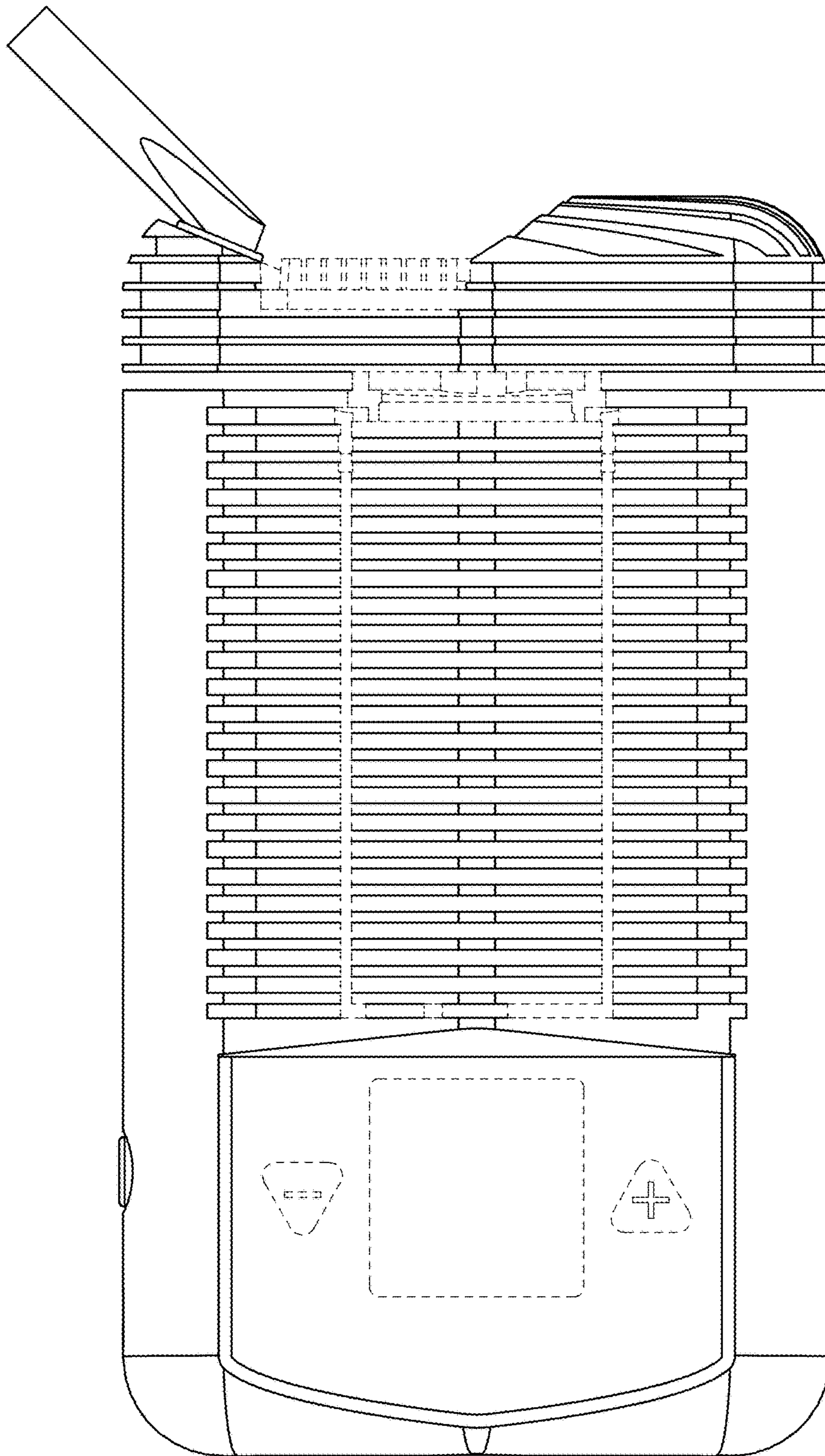


FIG. 6