



US00D802108S

(12) **United States Design Patent** (10) **Patent No.:** **US D802,108 S**
Birchler et al. (45) **Date of Patent:** **** Nov. 7, 2017**

(54) **CONDENSER**

- (71) Applicant: **DELTA T CORPORATION**,
Lexington, KY (US)
- (72) Inventors: **Terry Birchler**, Blacklick, OH (US);
Erik Turocy, Columbus, OH (US)
- (73) Assignee: **DELTA T CORPORATION**,
Lexington, KY (US)
- (**) Term: **15 Years**

- (21) Appl. No.: **29/550,490**
- (22) Filed: **Jan. 4, 2016**
- (51) **LOC (10) Cl.** **23-04**
- (52) **U.S. Cl.**
USPC **D23/351**
- (58) **Field of Classification Search**
USPC D23/333, 335, 341, 342, 351, 353, 354,
D23/355, 356, 359, 364, 365, 370, 385,
D23/386, 388, 393
CPC F24F 1/00; F24F 1/0007; F24F 1/02; F24F
1/08; F24F 1/42; F24F 1/56; F24F 1/60;
F24F 3/044; F24F 3/048; F24F 3/16;
F24F 7/00; F24F 7/04; F24F 12/001;
F24F 12/006
See application file for complete search history.

(56) **References Cited**

U.S. PATENT DOCUMENTS

3,384,165 A	5/1968	Mathews	
3,964,684 A *	6/1976	Schimanski A61L 9/12 239/56
4,149,588 A	4/1979	Waters	
D395,491 S *	6/1998	Jane' D23/356
D557,393 S *	12/2007	Yoo D23/351
D594,538 S *	6/2009	Tsuji D23/351
D597,642 S	8/2009	Kaiser et al.	

(Continued)

OTHER PUBLICATIONS

David Salyer, et al.; Condenser; Design U.S. Appl. No. 29/612,826, filed Aug. 4, 2017.

Primary Examiner — George D. Kirschbaum
Assistant Examiner — Natasha Vujcic
(74) *Attorney, Agent, or Firm* — King & Schickli, PLLC

(57) **CLAIM**

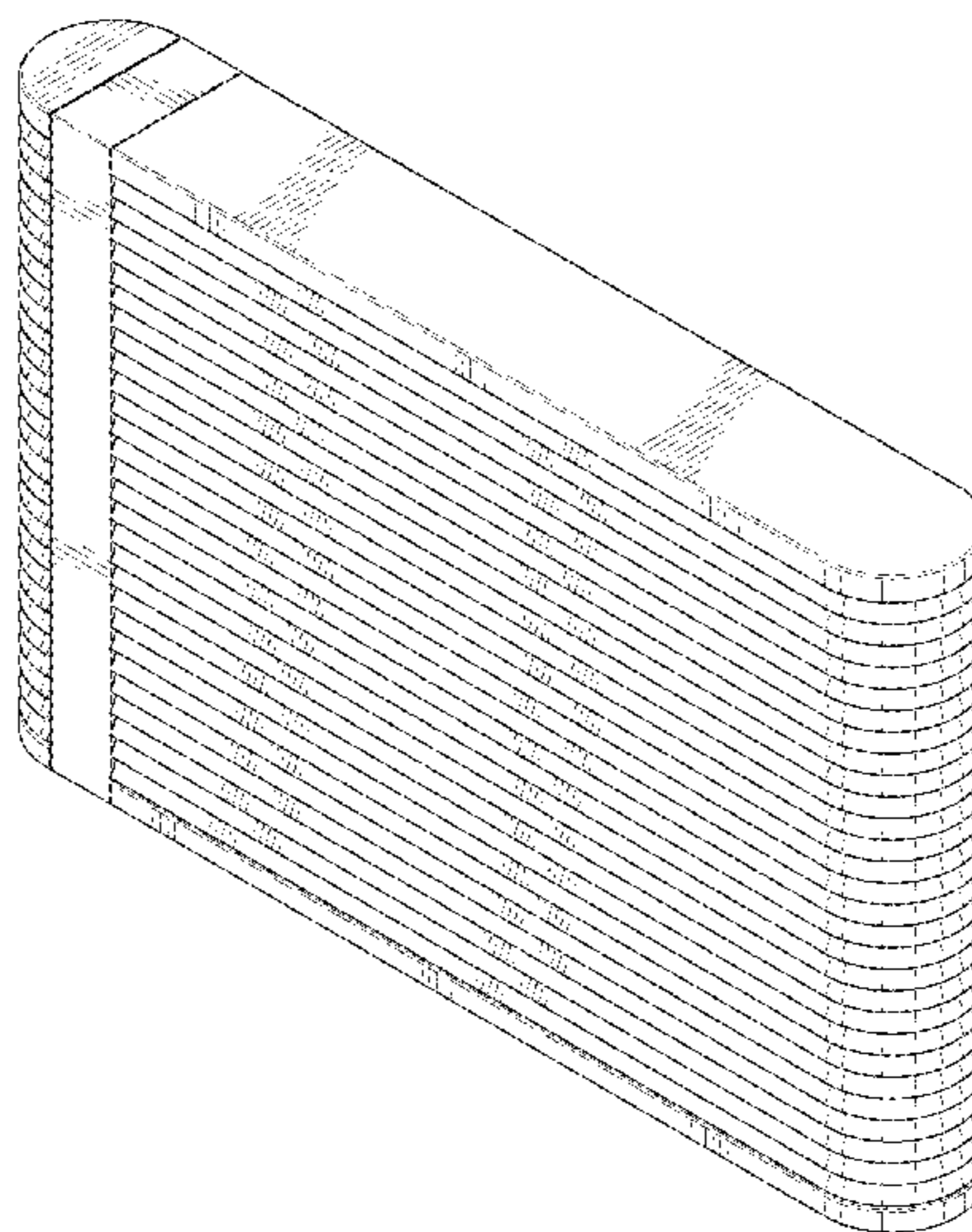
The ornamental design for a condenser, as shown and described.

DESCRIPTION

FIG. 1 is a top perspective view of a first embodiment of the condenser;
 FIG. 2 is a bottom perspective view of the first embodiment of the condenser;
 FIG. 3 is a front view of the first embodiment of the condenser;
 FIG. 4 is a right side view of the first embodiment of the condenser, the left side being a mirror image thereof;
 FIG. 5 is a rear view of the first embodiment of the condenser;
 FIG. 6 is a top view of the first embodiment of the condenser;
 FIG. 7 is a bottom view of the first embodiment of the condenser;
 FIG. 8 is a front view of a second embodiment of the condenser;
 FIG. 9 is a right side view of the second embodiment of the condenser, the left side being a mirror image thereof;
 FIG. 10 is a rear view of the second embodiment of the condenser;
 FIG. 11 is a top view of the second embodiment of the condenser; and,
 FIG. 12 is a bottom view of the second embodiment of the condenser.

The break lines in FIGS. 8-12 indicate that the appearance of any portion of the condenser between the break lines forms no part of the claimed design.

1 Claim, 8 Drawing Sheets



(56)

References Cited

U.S. PATENT DOCUMENTS

D617,887 S	6/2010	Sata et al.	
D629,091 S	12/2010	Maezawa et al.	
D629,092 S	12/2010	Tanno et al.	
D641,852 S *	7/2011	Satou	D23/351
D683,836 S	6/2013	Suzuki et al.	
D693,447 S	11/2013	Tanno et al.	
D699,826 S *	2/2014	Saitou	D23/351
9,335,098 B2	5/2016	Pawlick	
D783,790 S	4/2017	Tajima et al.	
D783,791 S *	4/2017	Shin	D23/359

* cited by examiner

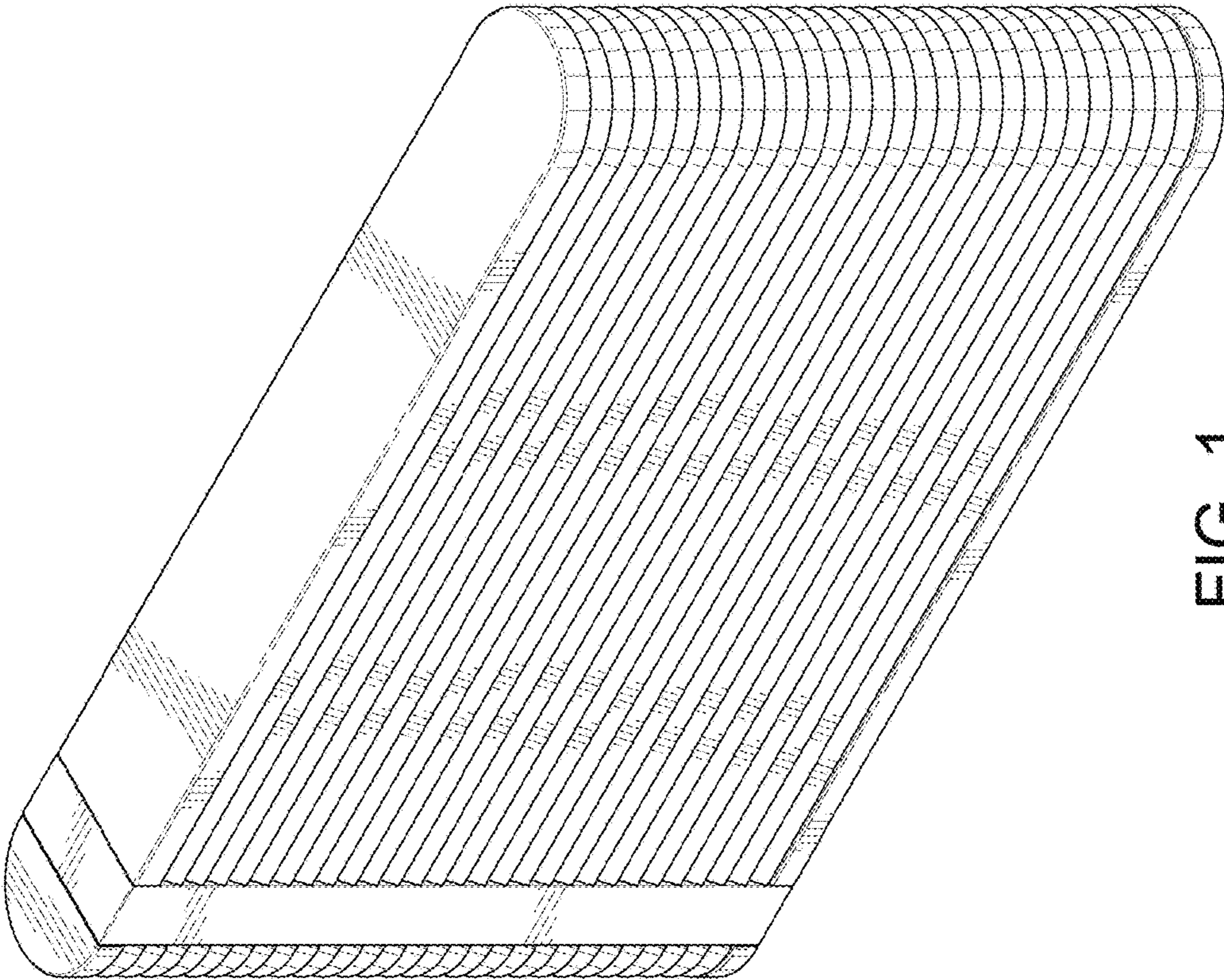


FIG. 1

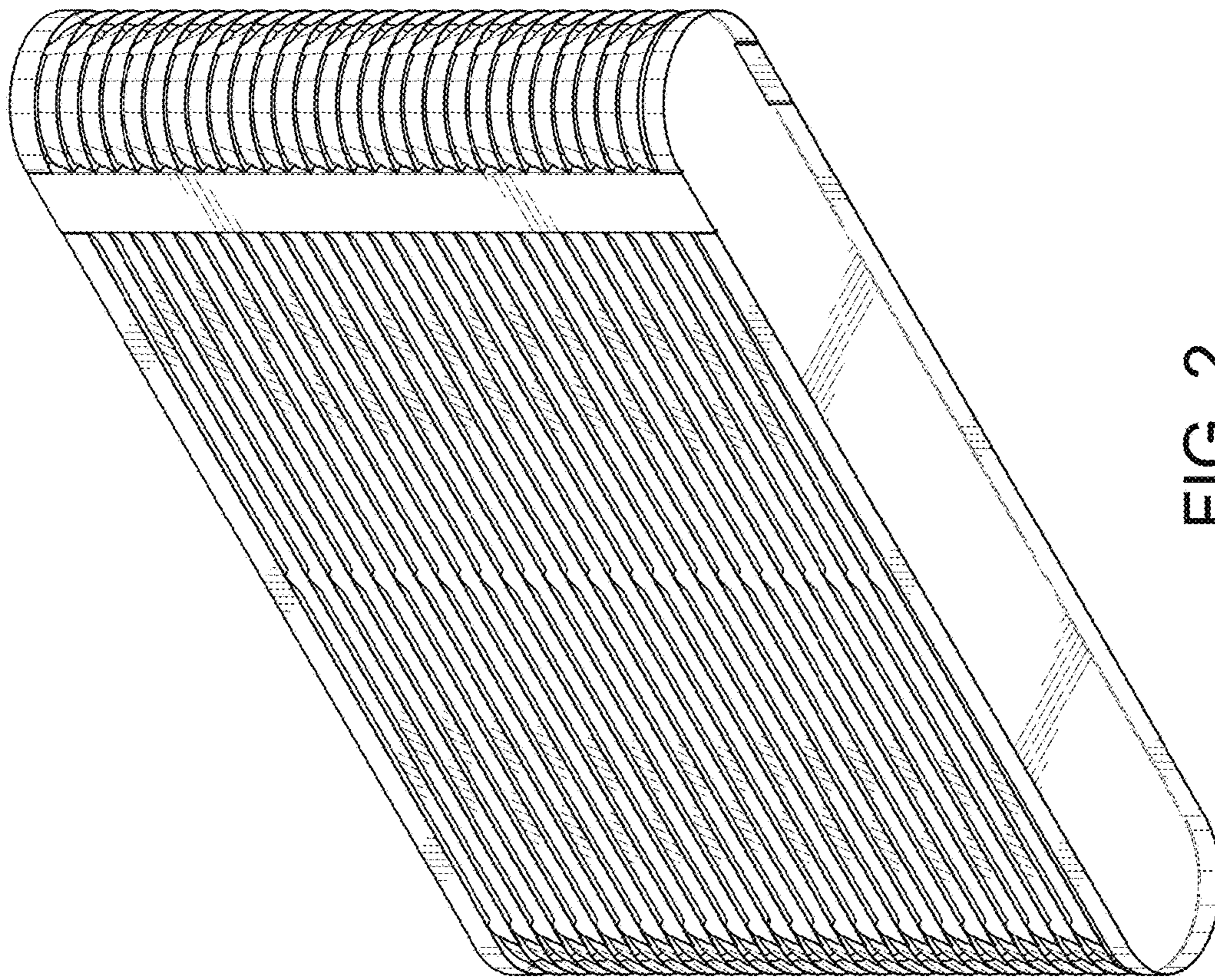


FIG. 2

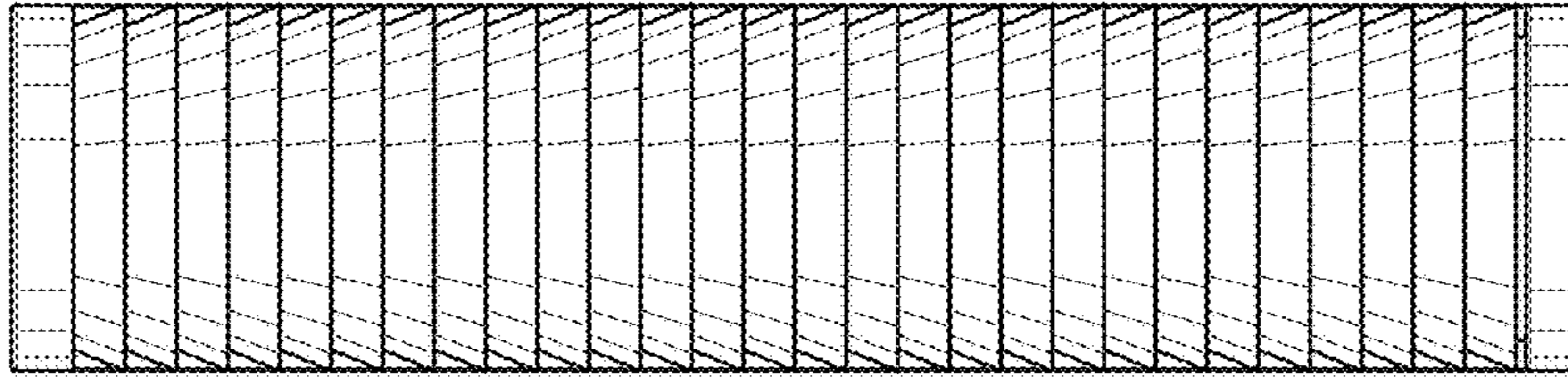


FIG. 4

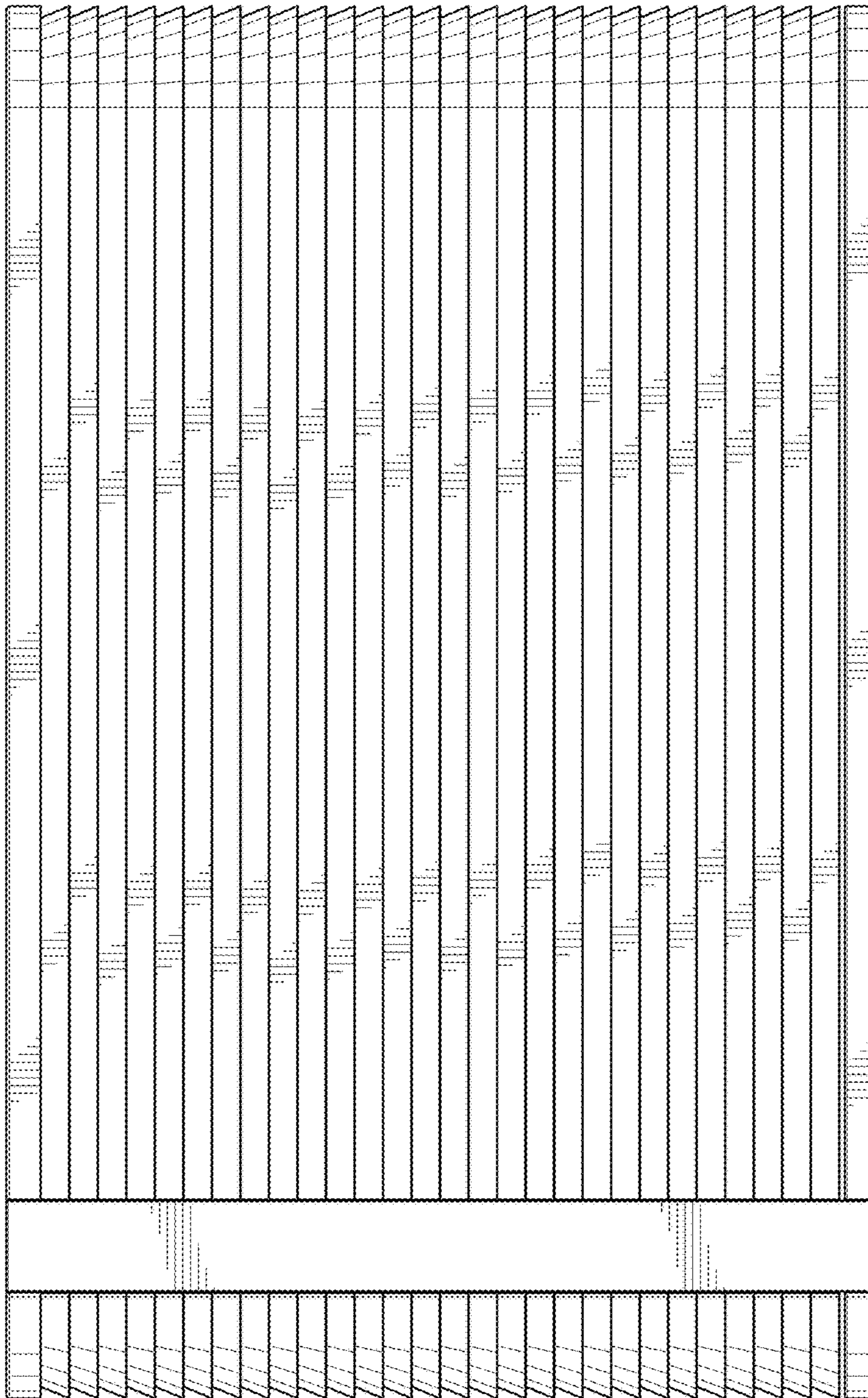


FIG. 3

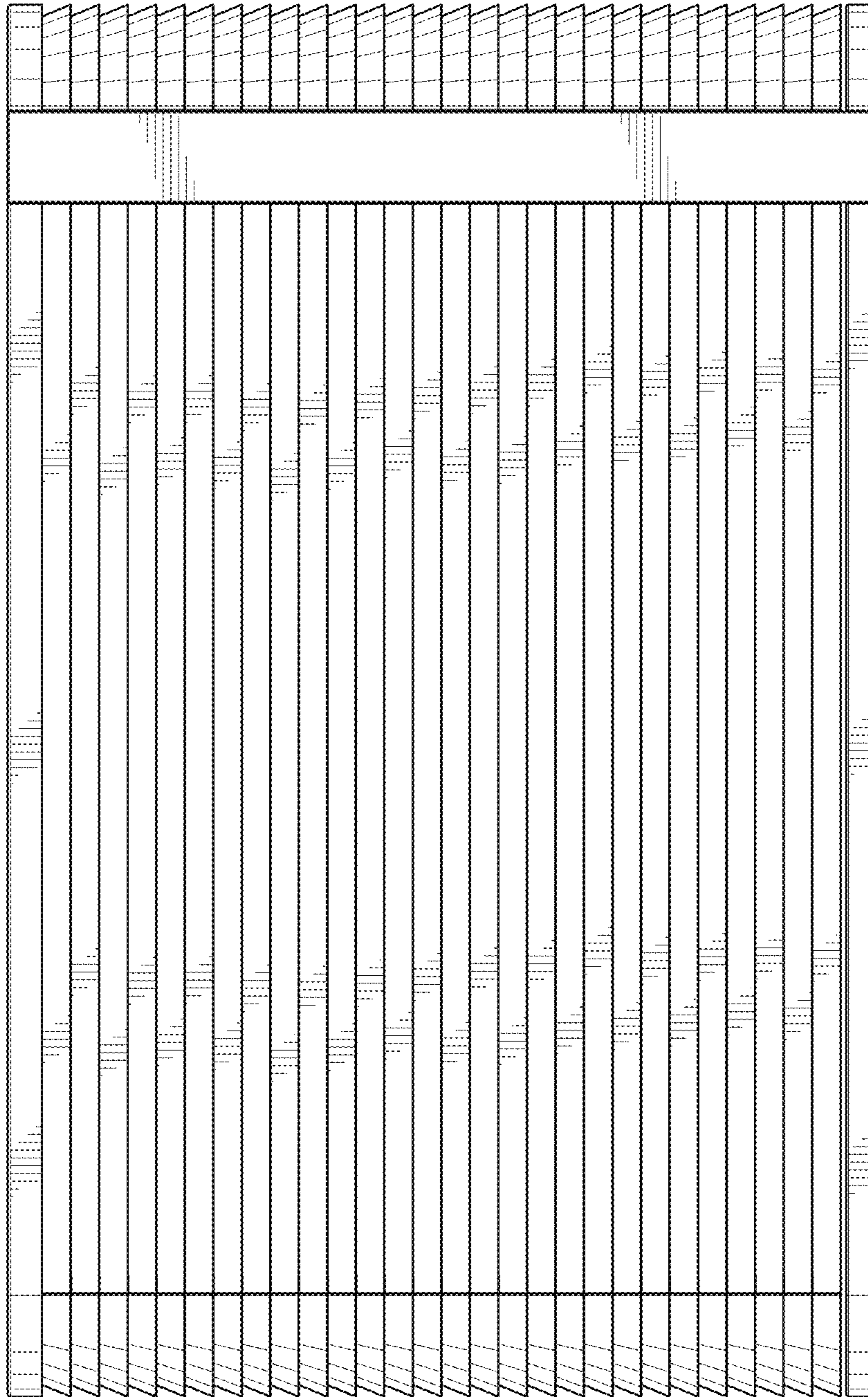


FIG. 5

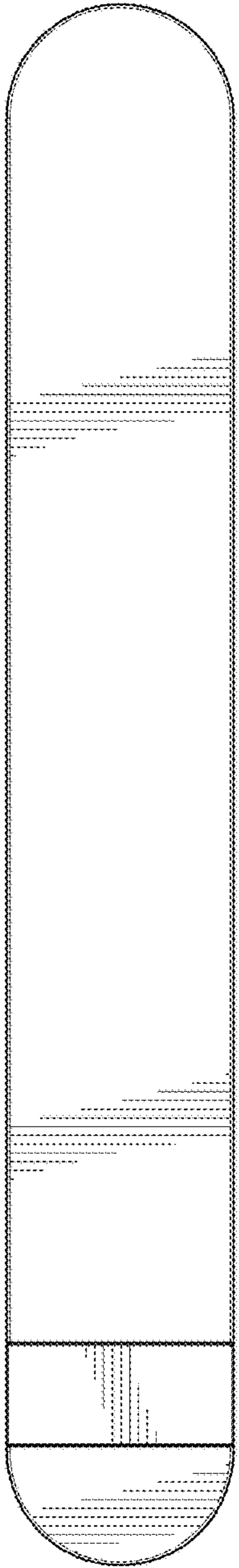


FIG. 6

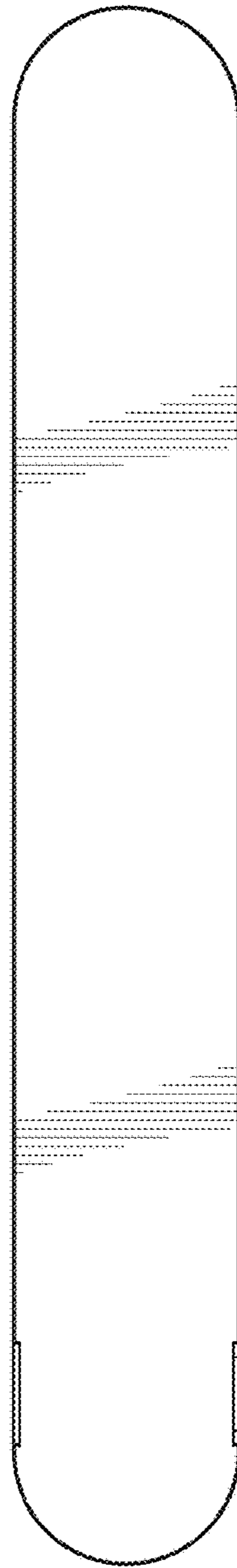


FIG. 7

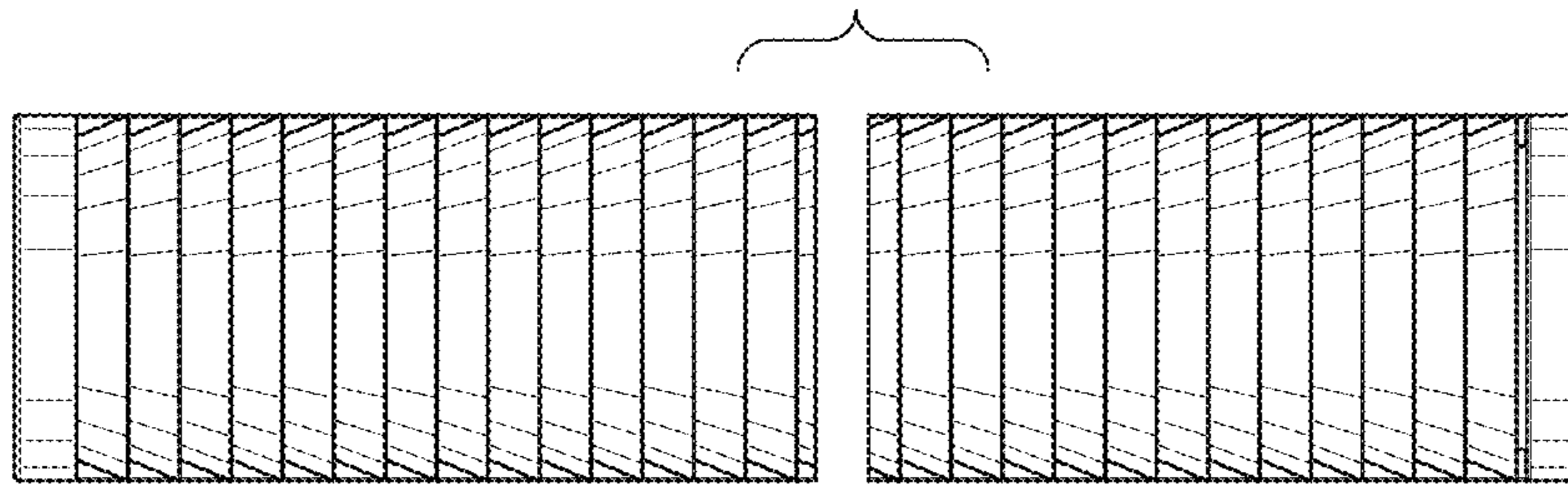


FIG. 9

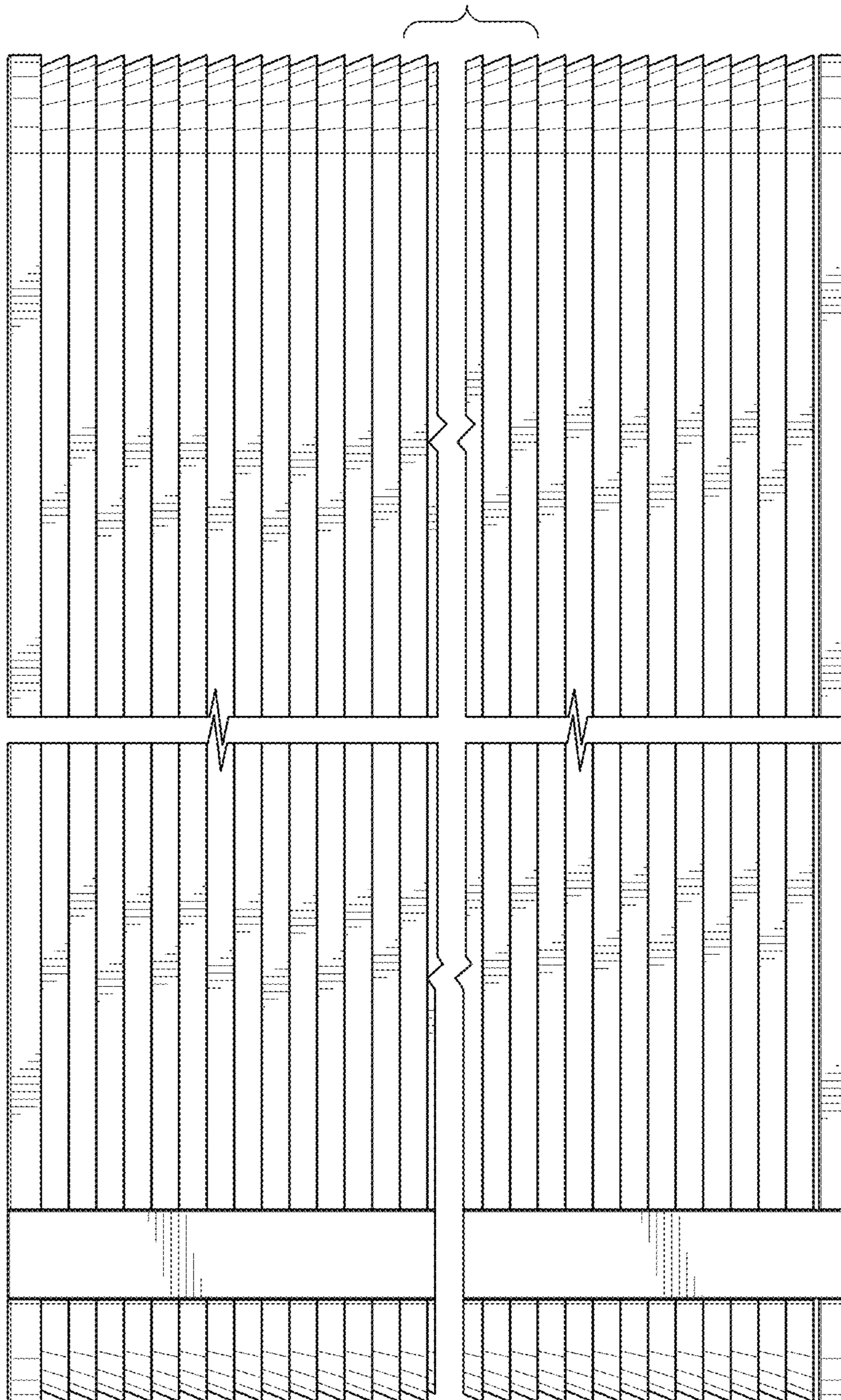


FIG. 8

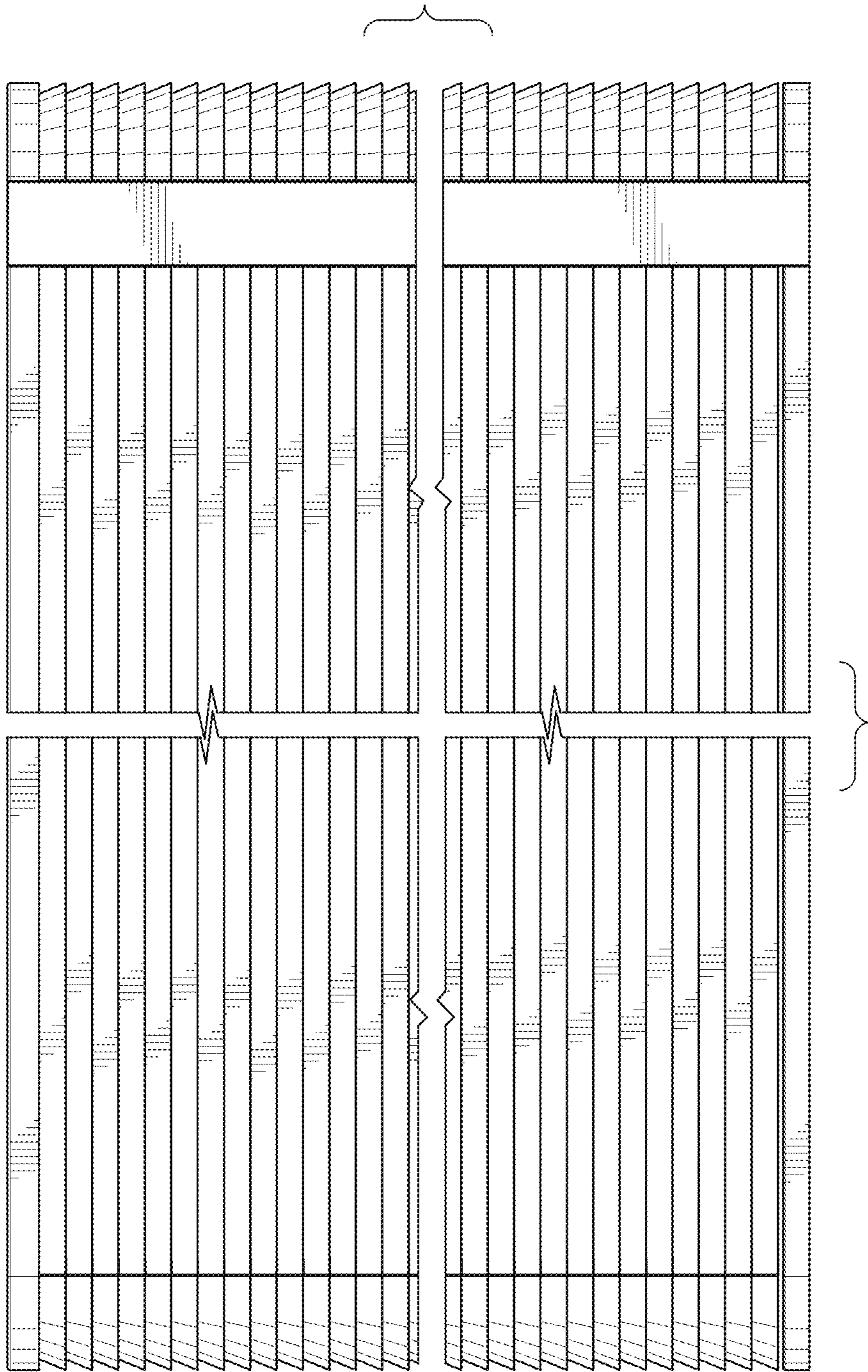


FIG. 10

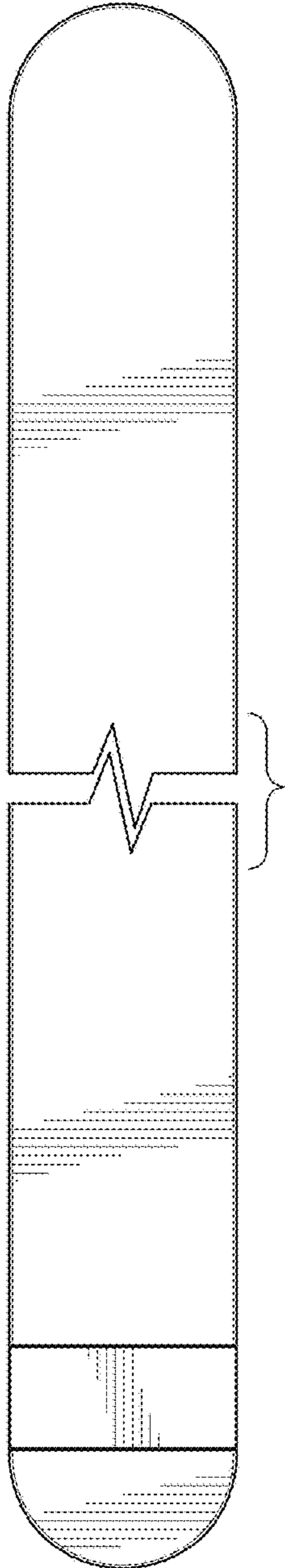


FIG. 11

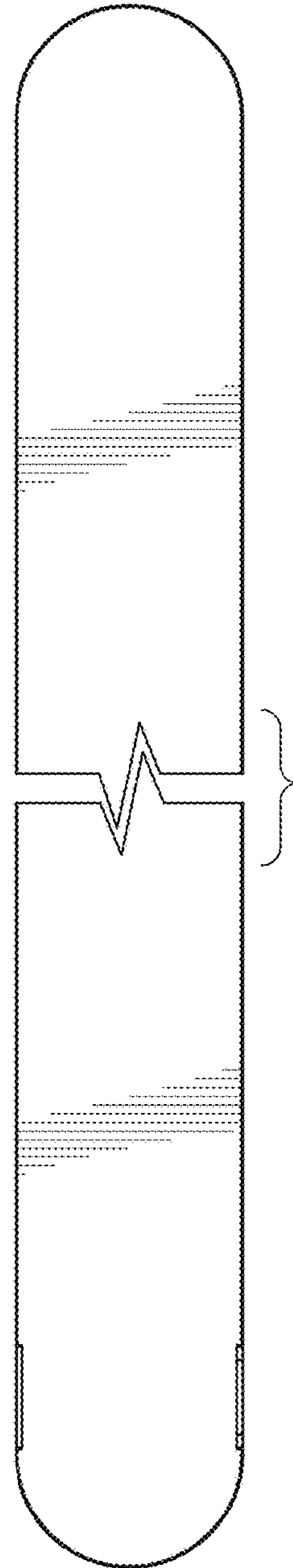


FIG. 12