

US00D802105S

(12) **United States Design Patent** (10) **Patent No.:** **US D802,105 S**
Stevenson et al. (45) **Date of Patent:** **** Nov. 7, 2017**

(54) **TOILET**
(71) Applicant: **Kohler Mira Limited**, Gloucestershire (GB)
(72) Inventors: **Robert Karl Stevenson**, London (GB); **Alexander Muspratt-Williams**, London (GB); **Mathias Hahn**, London (GB)
(73) Assignee: **KOHLER MIRA LIMITED** (GB)
(**) Term: **15 Years**
(21) Appl. No.: **29/566,089**
(22) Filed: **May 26, 2016**
(51) **LOC (10) Cl.** **23-02**
(52) **U.S. Cl.**
USPC **D23/301**
(58) **Field of Classification Search**
USPC D23/295-301, 303, 309, 313
CPC A47K 11/02; A47K 11/026
See application file for complete search history.

D455,477 S 4/2002 Soulier
D496,444 S 9/2004 Kergoet
D536,428 S 2/2007 Kohler, Jr. et al.
D536,771 S 2/2007 Chenesseau
D603,945 S * 11/2009 Bucher D23/301
D637,702 S 5/2011 Rexach
D672,018 S * 12/2012 Bucher D23/301
D694,379 S 11/2013 Bates
D763,416 S * 8/2016 Goad D23/301
D764,033 S * 8/2016 Chuk D23/301

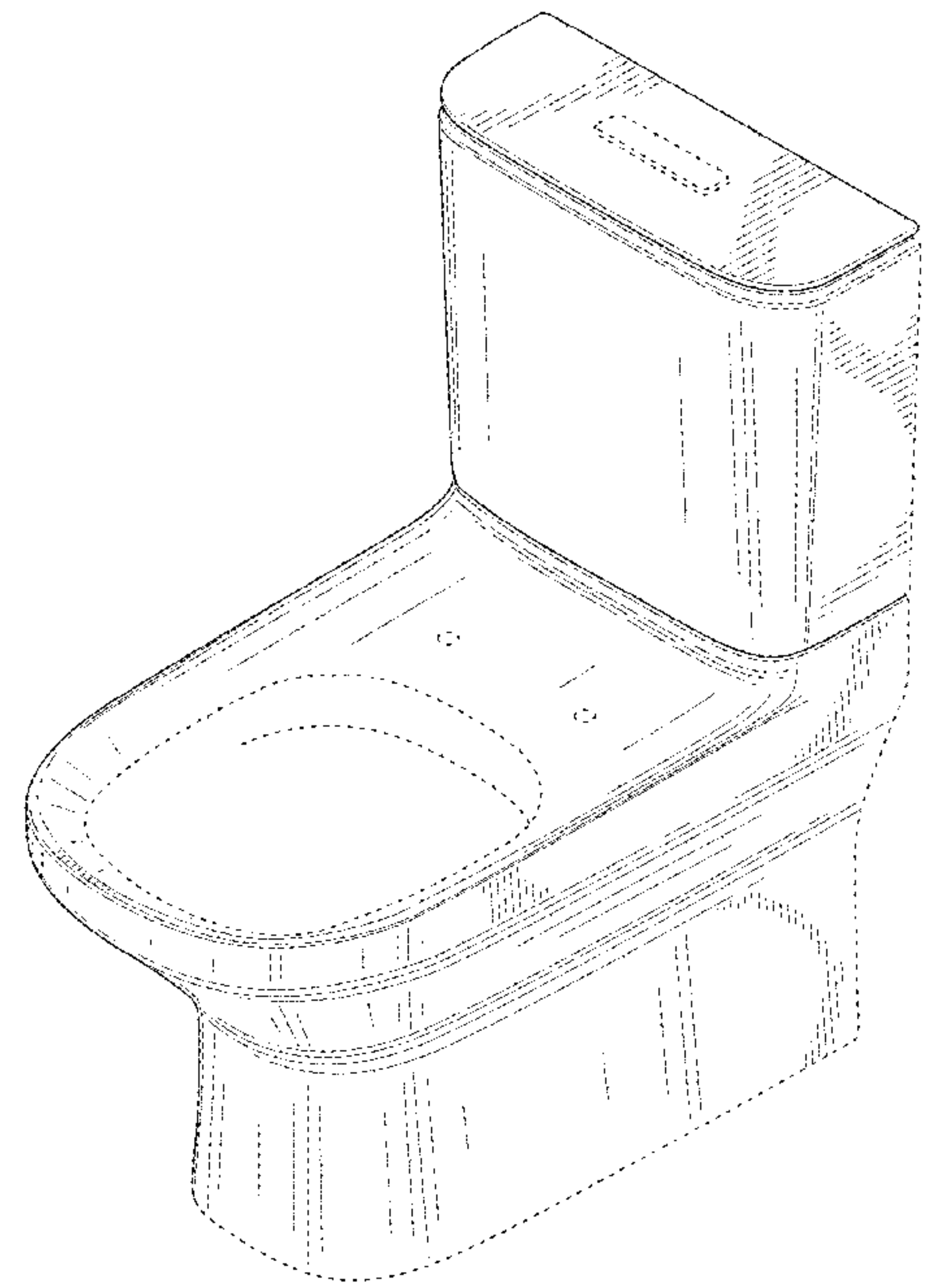
* cited by examiner
Primary Examiner — Robert M Spear
Assistant Examiner — John Voytek
(74) *Attorney, Agent, or Firm* — Foley & Larnder LLP

(57) **CLAIM**
We claim the ornamental design for a toilet, as shown and described.

DESCRIPTION
FIG. 1 is a perspective view of an embodiment of the claimed design;
FIG. 2 is a front view of the embodiment of FIG. 1;
FIG. 3 is a rear view of the embodiment of FIG. 1;
FIG. 4 is a side view of the embodiment of FIG. 1;
FIG. 5 is another side view of the embodiment of FIG. 1;
FIG. 6 is a top view of the embodiment of FIG. 1; and,
FIG. 7 is a bottom view of the claimed design of FIG. 1.
The ornamental design which is claimed is shown in solid lines in the drawings. The broken lines in the drawings form no part of the claimed design. Broken lines formed by equal length dashes show unclaimed subject matter. Broken lines formed of unequal length dashes (i.e., dash-dot) define bounds of the claimed design.

(56) **References Cited**
U.S. PATENT DOCUMENTS
D309,939 S 8/1990 Yvetot
D311,242 S 10/1990 Reid
D323,551 S * 1/1992 Fait D23/301
D332,137 S 12/1992 Kohler, Jr. et al.
D349,156 S 7/1994 Kohler, Jr. et al.
D352,772 S 11/1994 Kohler, Jr. et al.
D393,059 S * 3/1998 Garza D23/301
D398,383 S 9/1998 Kergoet
D410,279 S * 5/1999 Tani D23/301
D412,742 S 8/1999 Soulier
D437,634 S * 2/2001 Hundley D23/301
D455,202 S 4/2002 Soulier

1 Claim, 6 Drawing Sheets



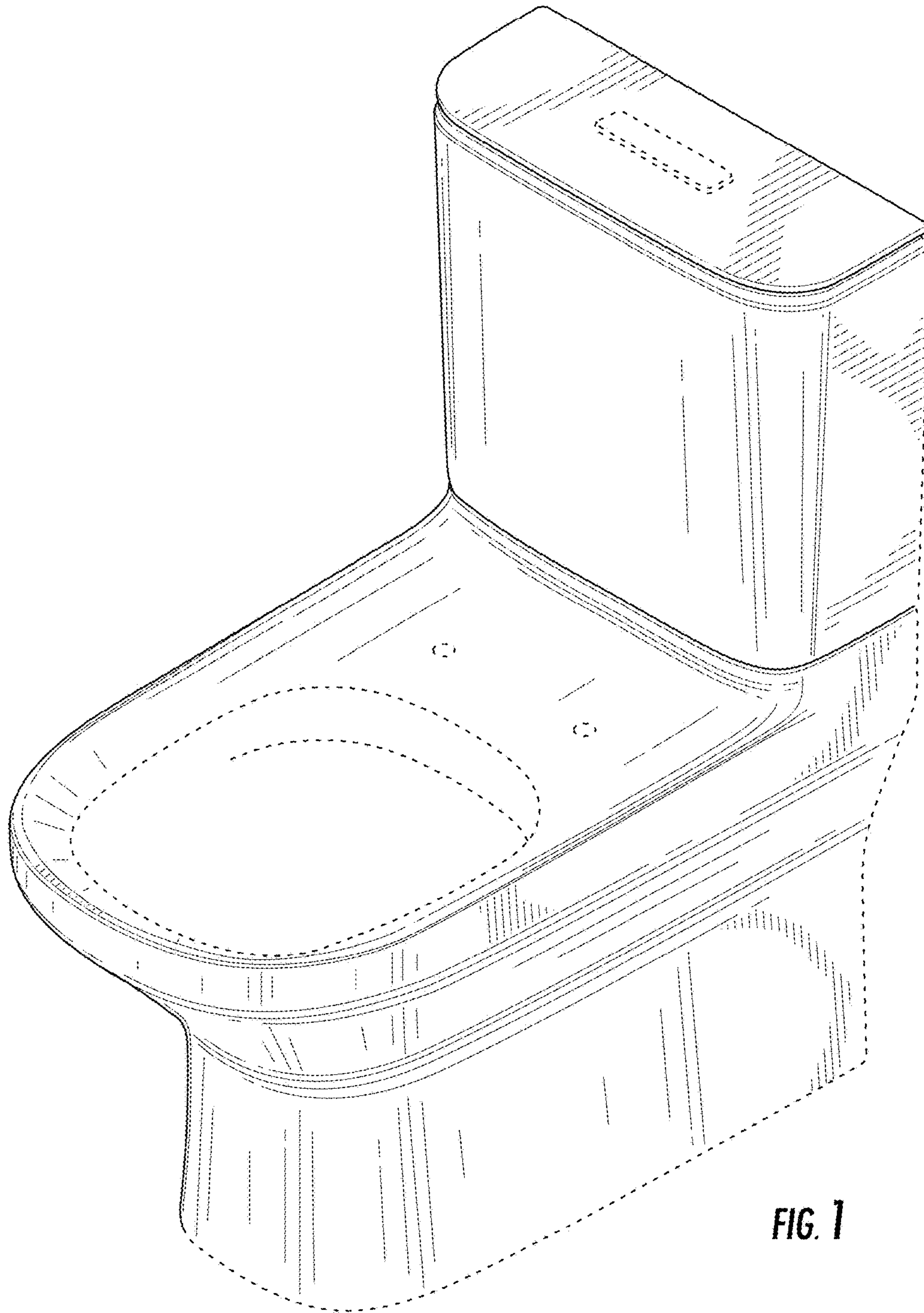


FIG. 1

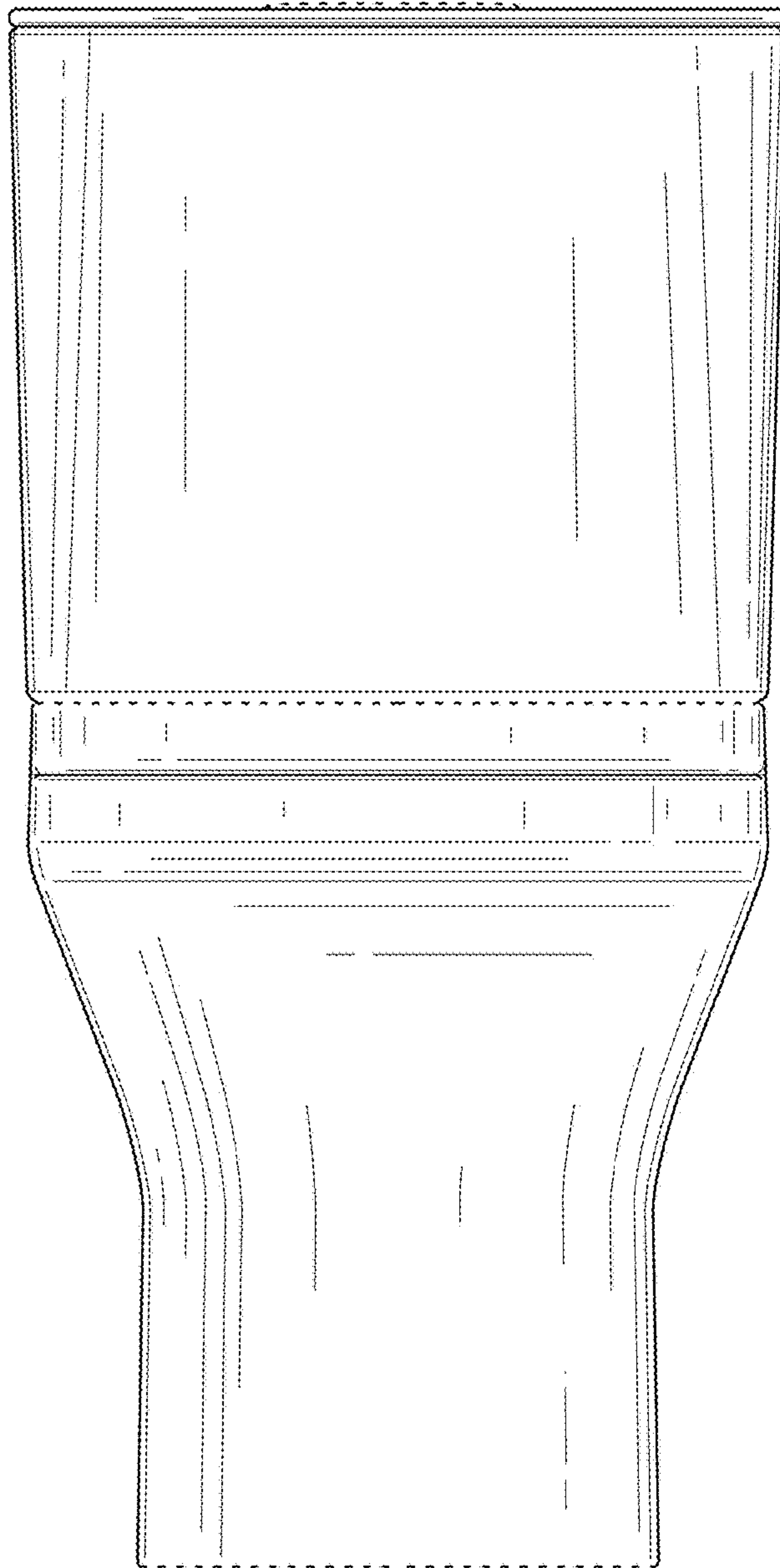


FIG. 2

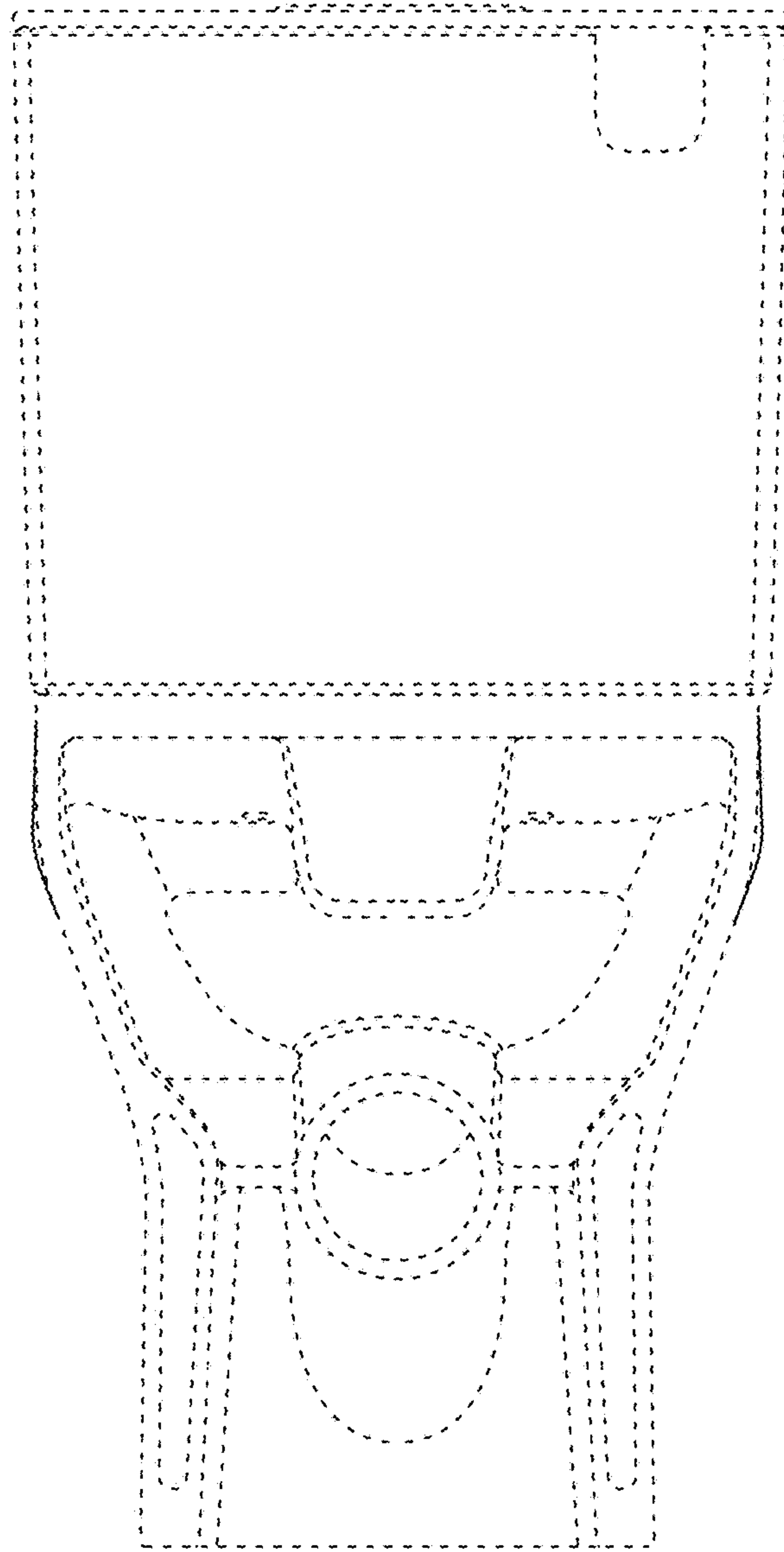


FIG. 3

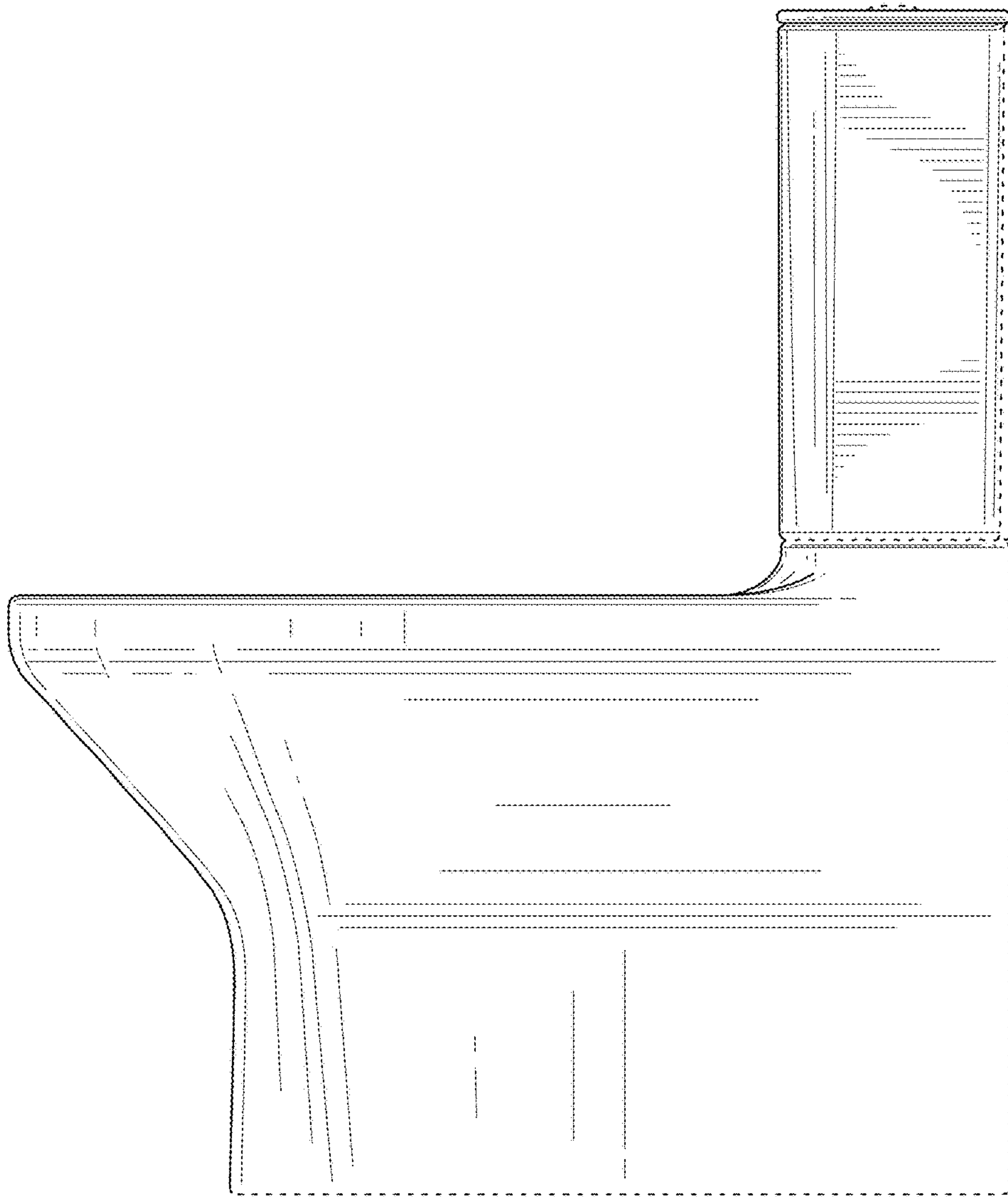


FIG. 4

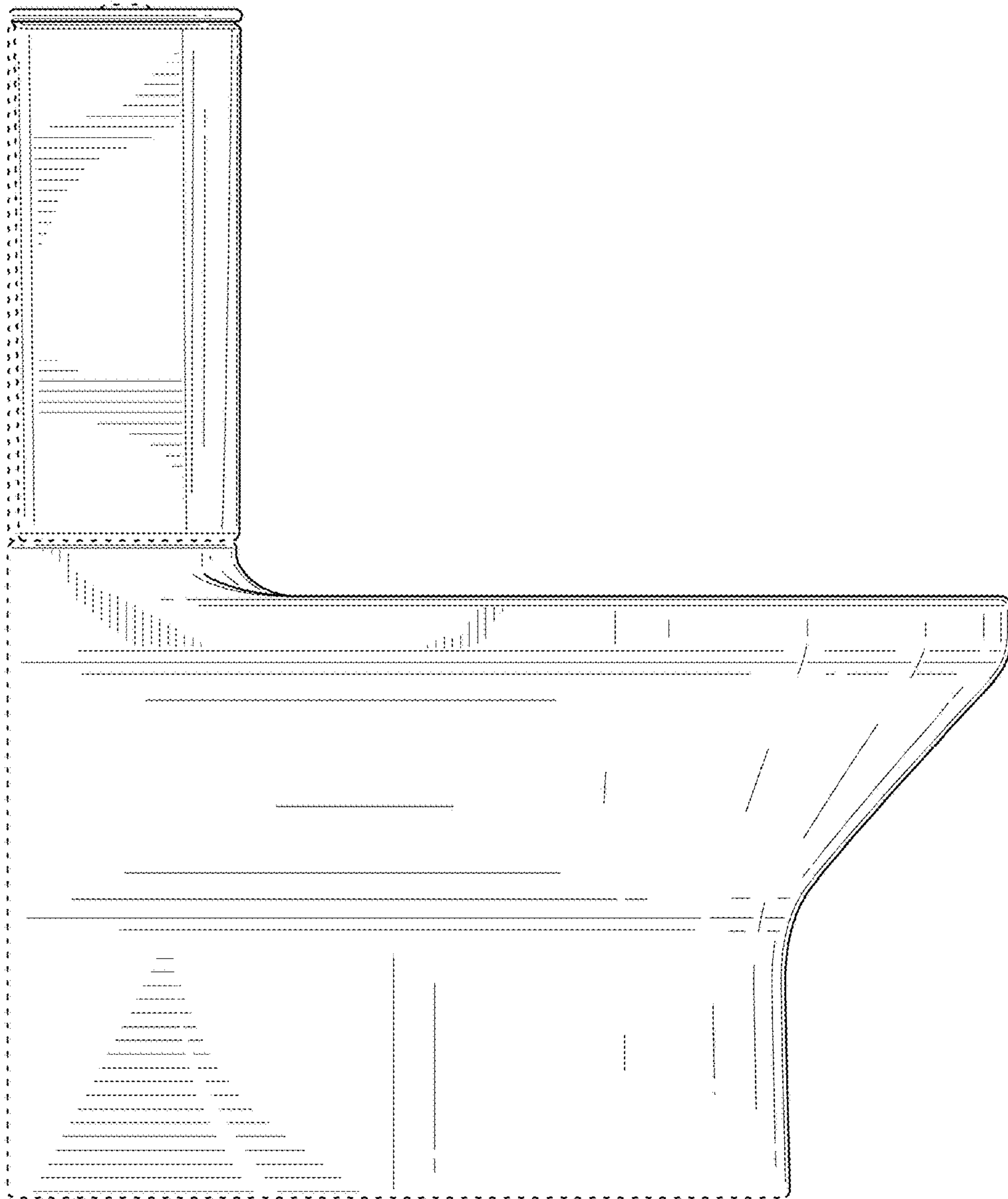


FIG. 5

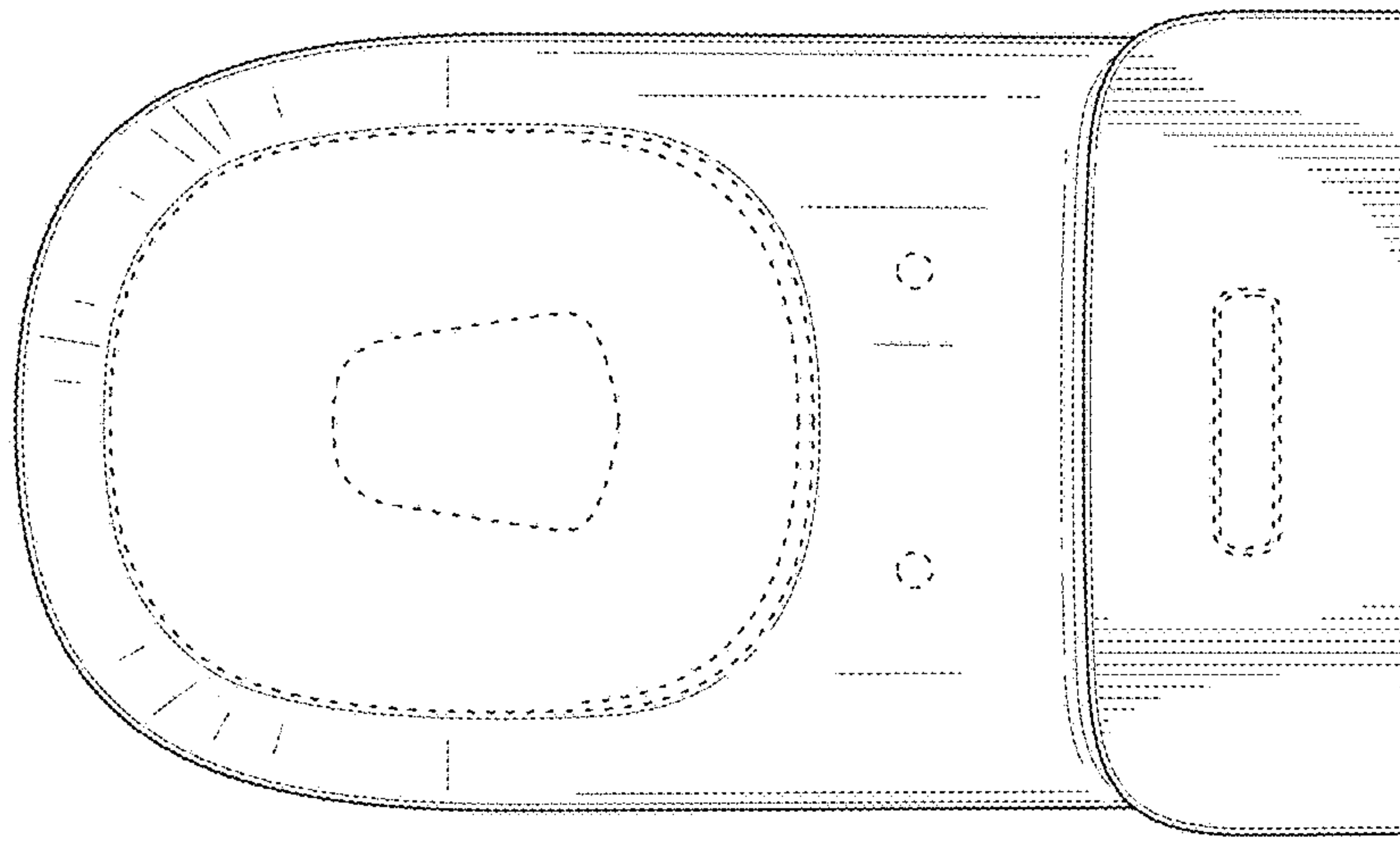


FIG. 6

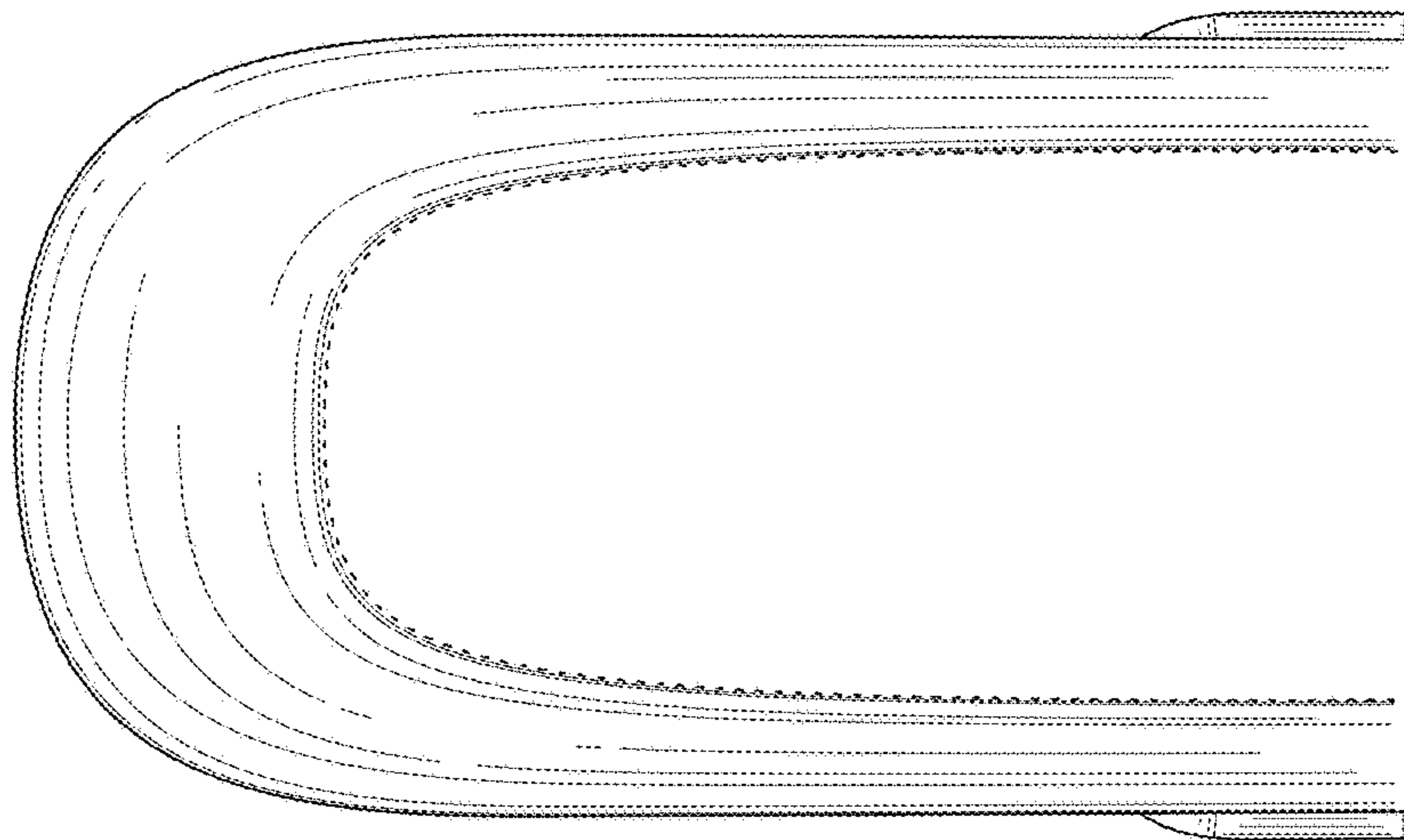


FIG. 7