



US00D802104S

(12) **United States Design Patent**
Nagahamaya et al.

(10) **Patent No.:** **US D802,104 S**

(45) **Date of Patent:** **** Nov. 7, 2017**

(54) **SEAL**

(71) Applicant: **NOK CORPORATION**, Tokyo (JP)

(72) Inventors: **Hideaki Nagahamaya**, Fukushima (JP);
Kokichi Hamamoto, Fukushima (JP);
Masayuki Tanida, Fukushima (JP);
Takehiro Nakagawa, Fukushima (JP)

(73) Assignee: **NOK CORPORATION**, Tokyo (JP)

(**) Term: **15 Years**

(21) Appl. No.: **29/558,928**

(22) Filed: **Mar. 23, 2016**

(30) **Foreign Application Priority Data**

Sep. 25, 2015 (JP) 2015-21025

Sep. 25, 2015 (JP) 2015-21026

(51) **LOC (10) Cl.** **23-01**

(52) **U.S. Cl.**
USPC **D23/269**

(58) **Field of Classification Search**

USPC D23/249, 259-260, 262, 265, 266, 269,
D23/303, 309; 277/351-354, 372, 504,
277/603, 606-609, 616, 626; 52/58, 199;
285/15, 133.21, 232, 351; D24/129

CPC F16J 15/125; F16L 19/064; F16L 19/065;
F16L 19/10283; F16L 5/02; F16L 5/08;
F16L 5/10; E04D 13/14

See application file for complete search history.

(56) **References Cited**

U.S. PATENT DOCUMENTS

D442,609 S * 5/2001 Quantz D15/123
7,140,618 B2 * 11/2006 Valls, Jr. F16L 21/03
277/603

D551,336 S * 9/2007 Haggkvist D23/386
D562,737 S * 2/2008 Fujita D12/118
D616,966 S * 6/2010 Angell D23/262
D631,066 S * 1/2011 Itadani D15/9
D631,142 S * 1/2011 Angell D23/262
D648,427 S * 11/2011 Bowman D23/269
D681,176 S * 4/2013 Chacko D23/269
D697,180 S * 1/2014 van de Klippe D23/269
D728,758 S * 5/2015 Coronado D23/269
D733,263 S * 6/2015 Fujii D23/262
D748,228 S * 1/2016 Bayyouk D23/269

* cited by examiner

Primary Examiner — Eric L Goodman

Assistant Examiner — Amy C Wierenga

(74) *Attorney, Agent, or Firm* — Pearne & Gordon LLP

(57) **CLAIM**

The ornamental design for a seal, as shown and described.

DESCRIPTION

FIG. 1 is a perspective view of a first seal showing our new invention;

FIG. 2 is a front view thereof;

FIG. 3 is a left side view, with the illustrated portion of the seal being symmetrical about a central axis;

FIG. 4 is a top view thereof;

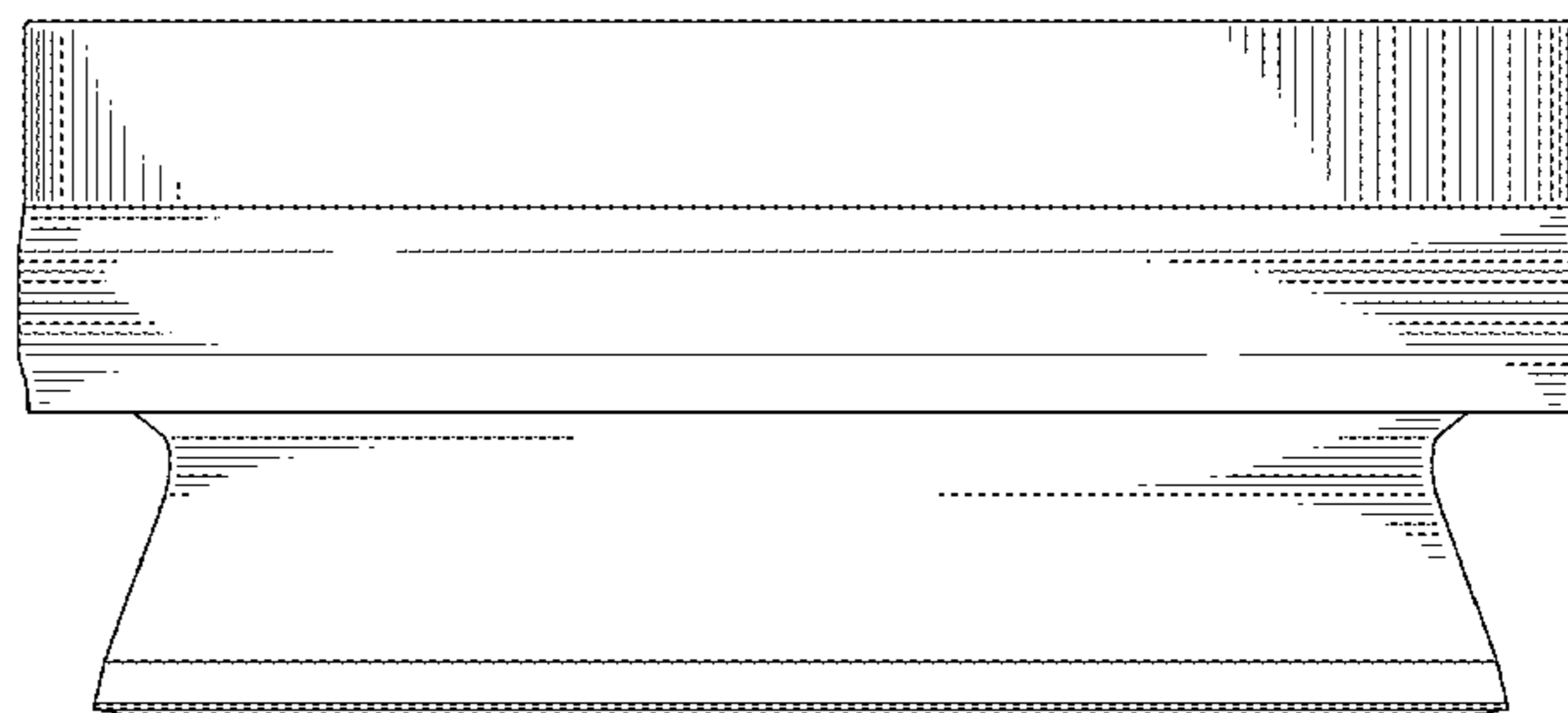
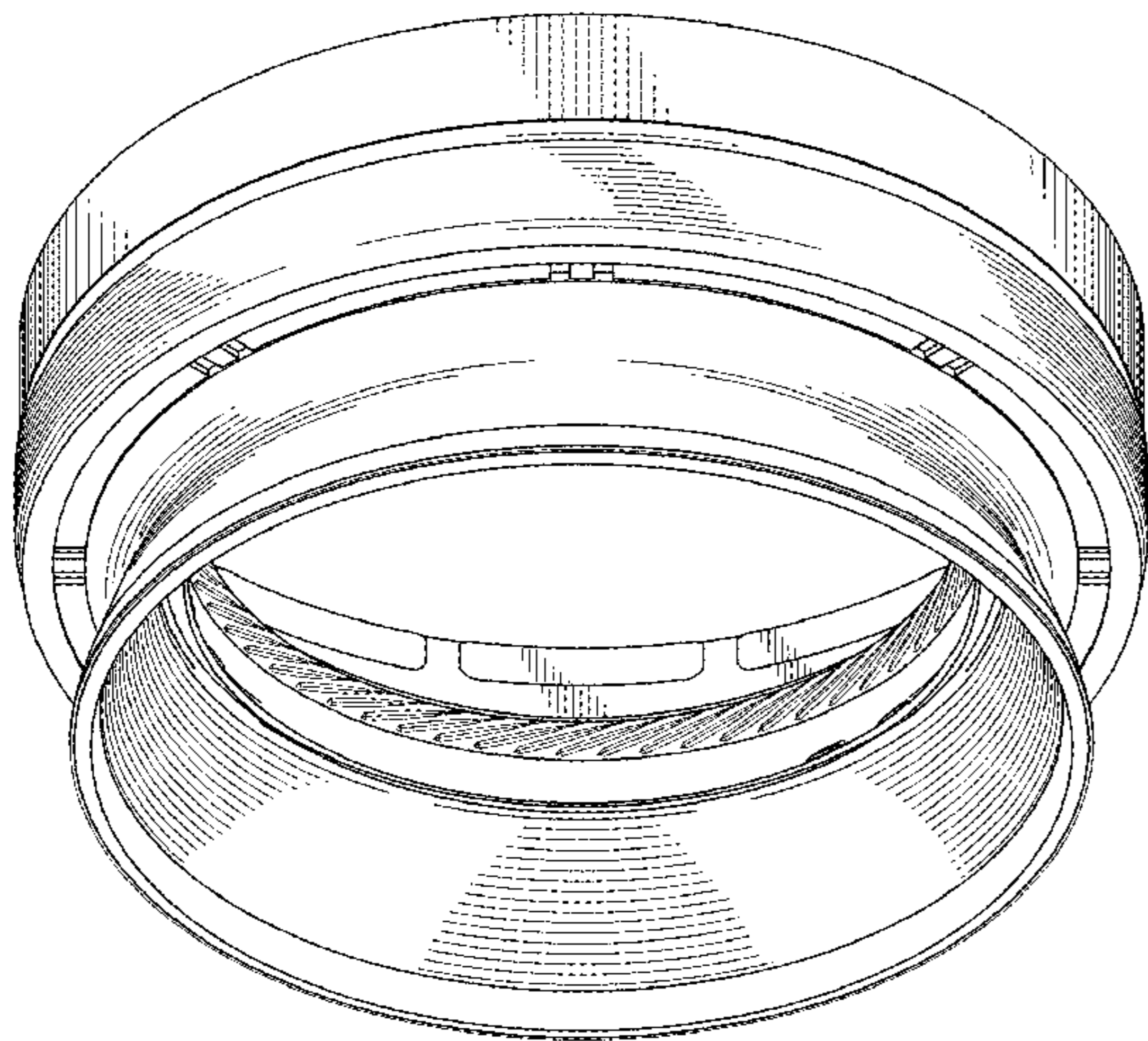
FIG. 5 is a bottom view thereof;

FIG. 6 is a sectional view thereof taken along line 6-6 of FIG. 4; and,

FIG. 7 is a partial detail view thereof taken along line 7-7 of FIG. 2.

The broken lines shown in FIG. 7 illustrate the borders of the partial view and form no part of the claim.

1 Claim, 7 Drawing Sheets



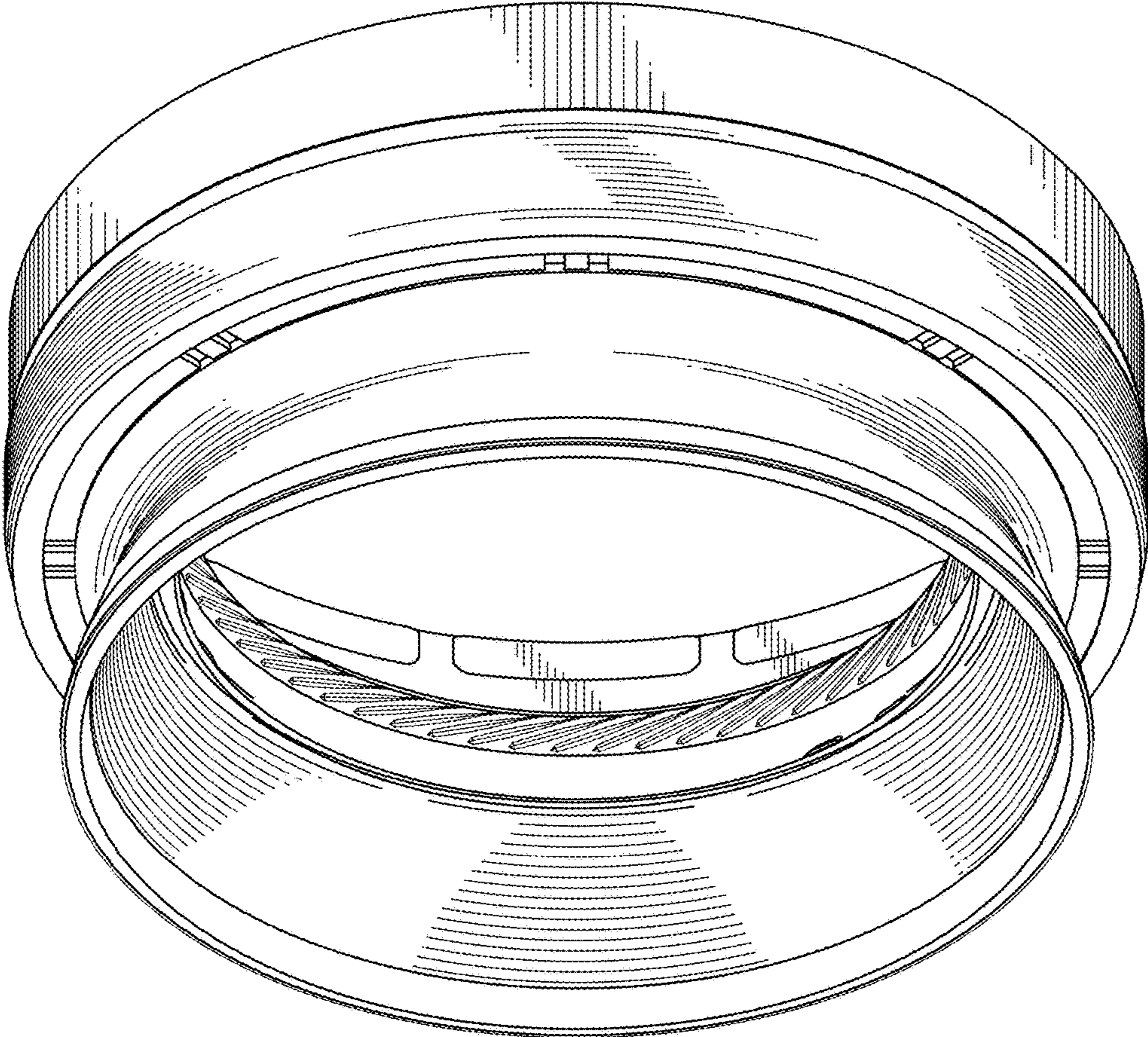


FIG. 1

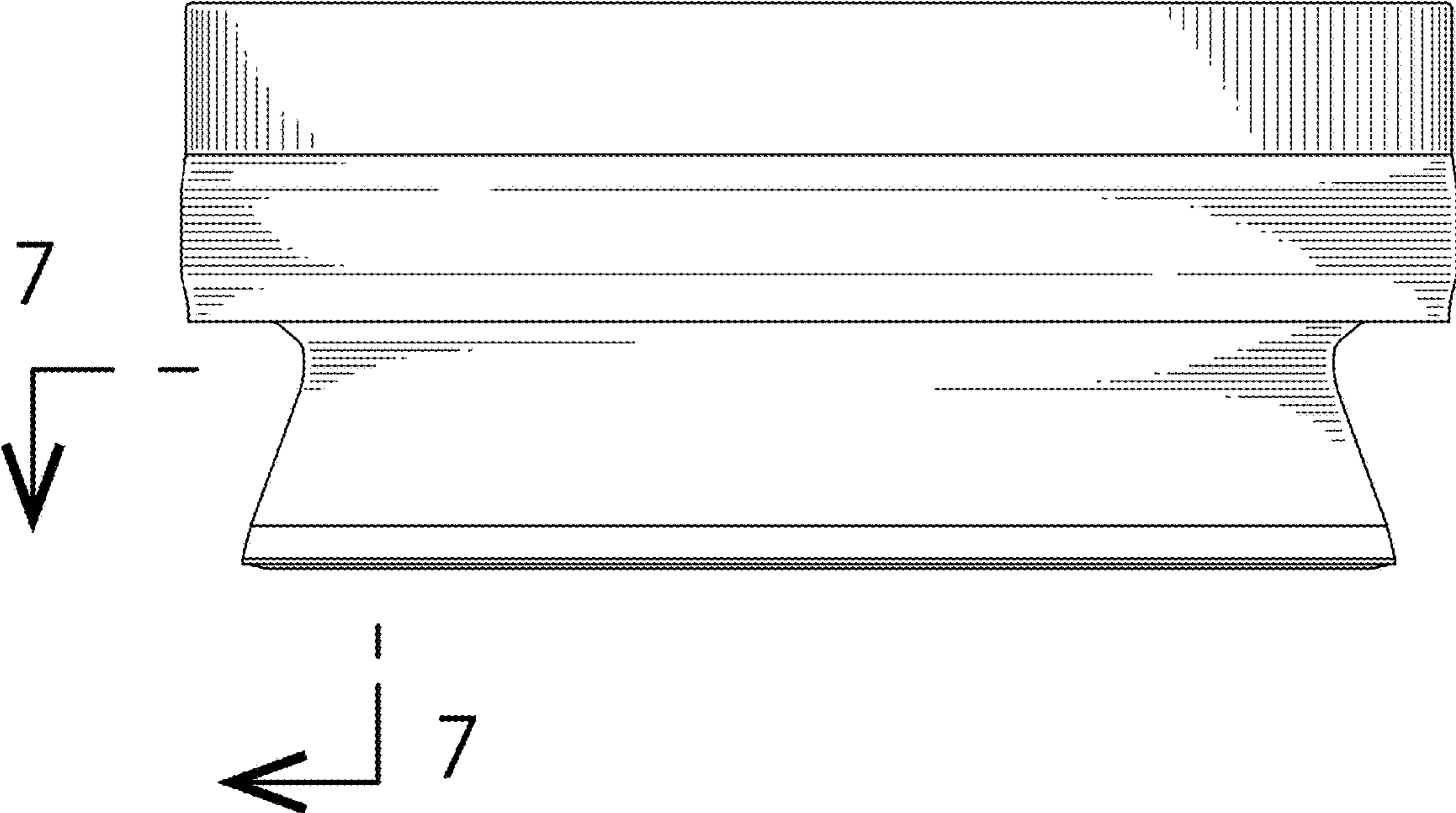


FIG. 2

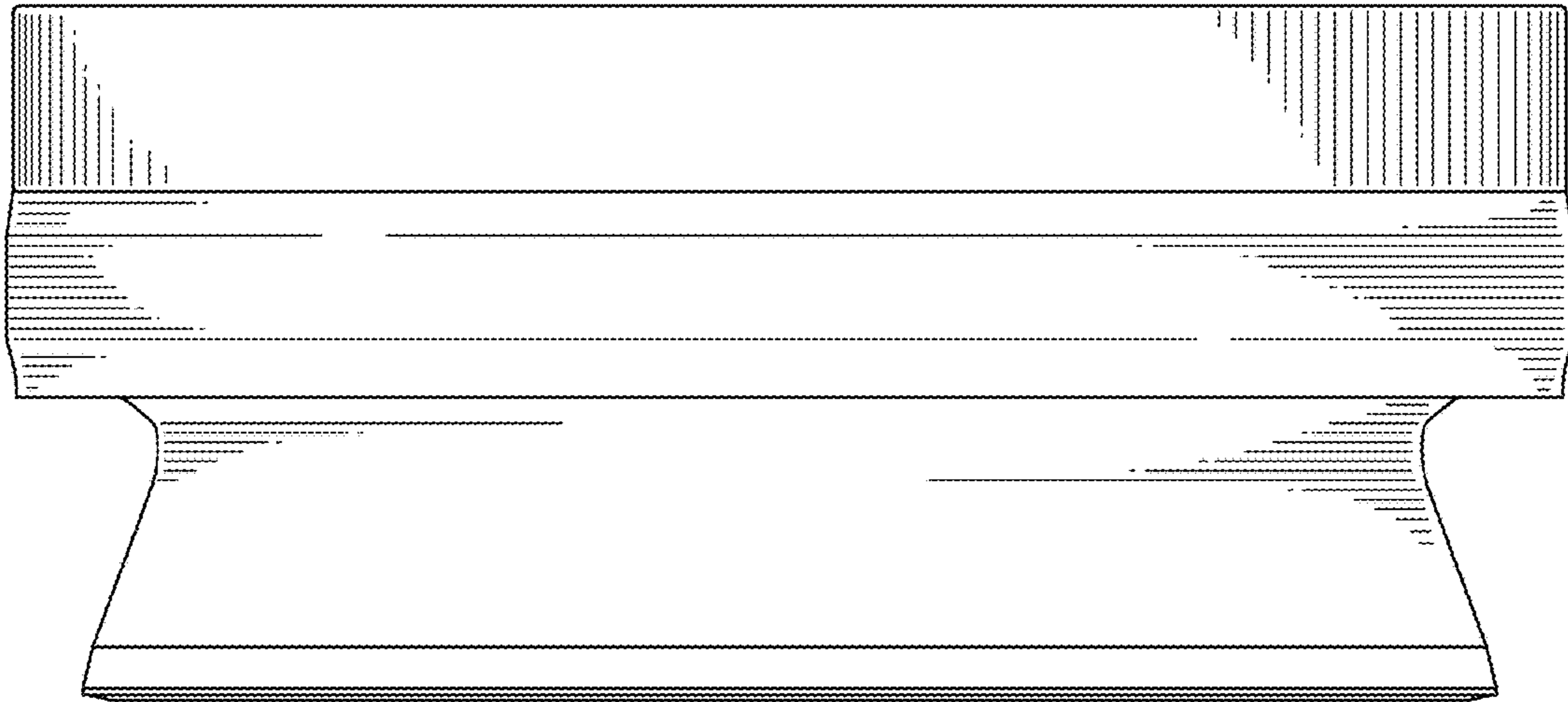


FIG. 3

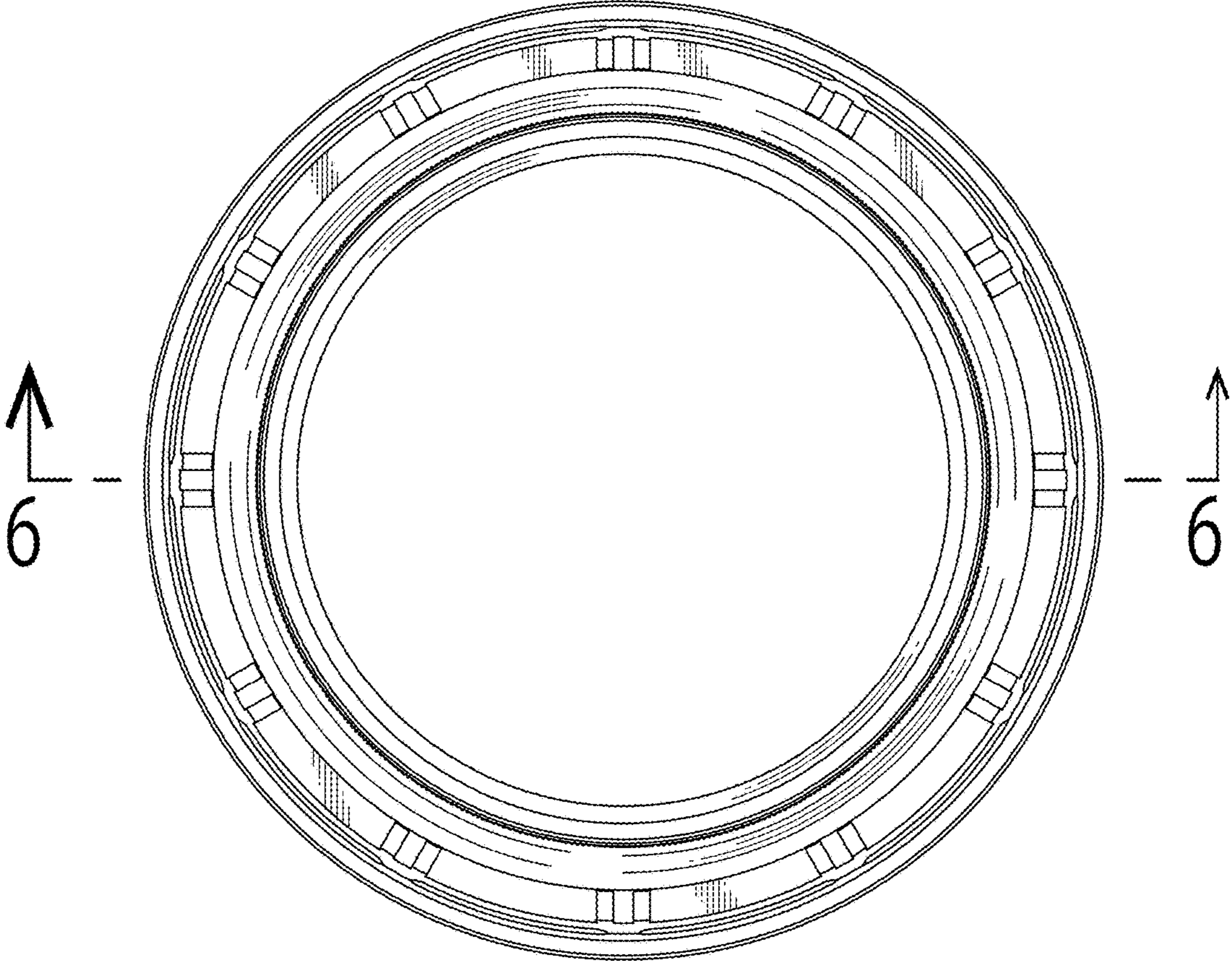


FIG. 4

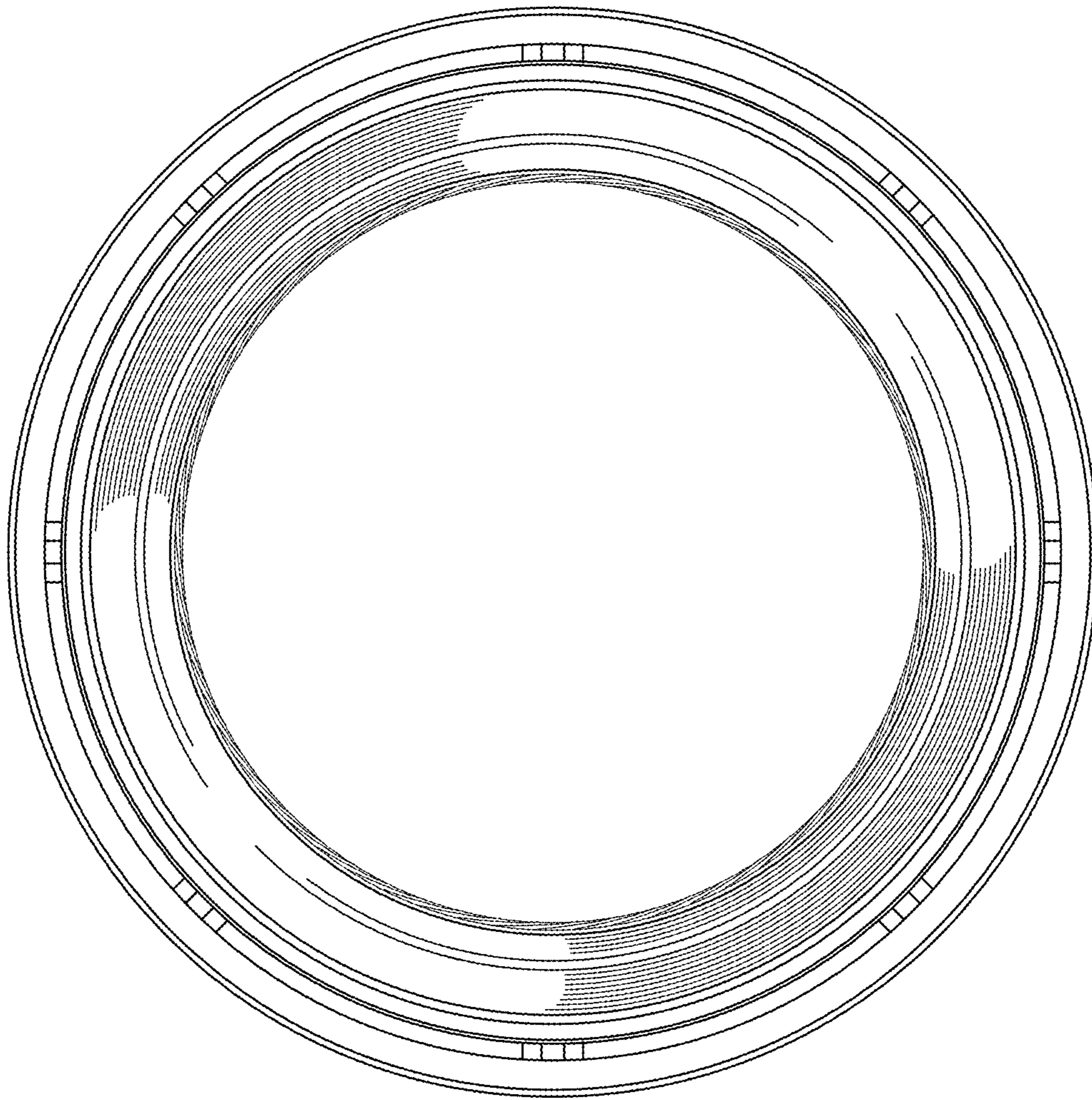


FIG. 5

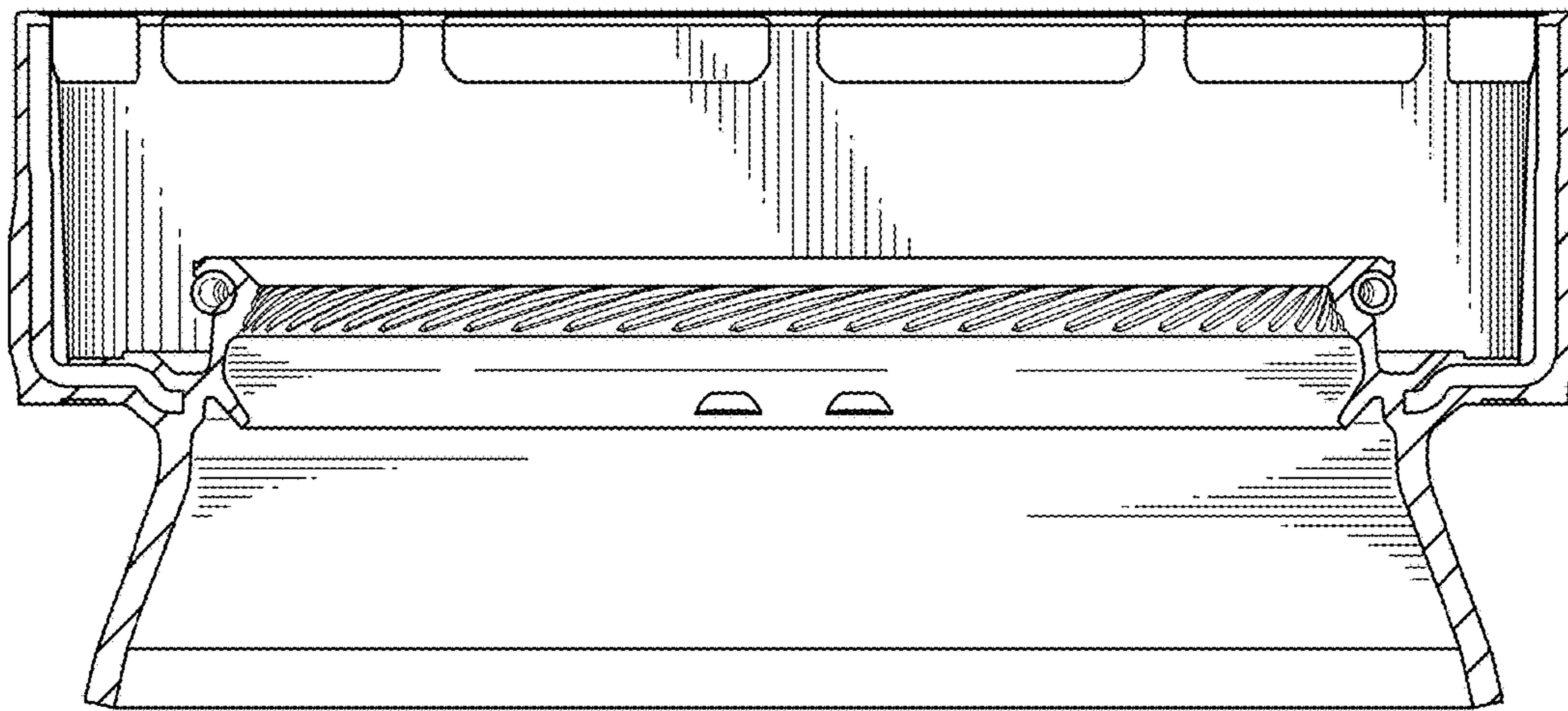


FIG. 6

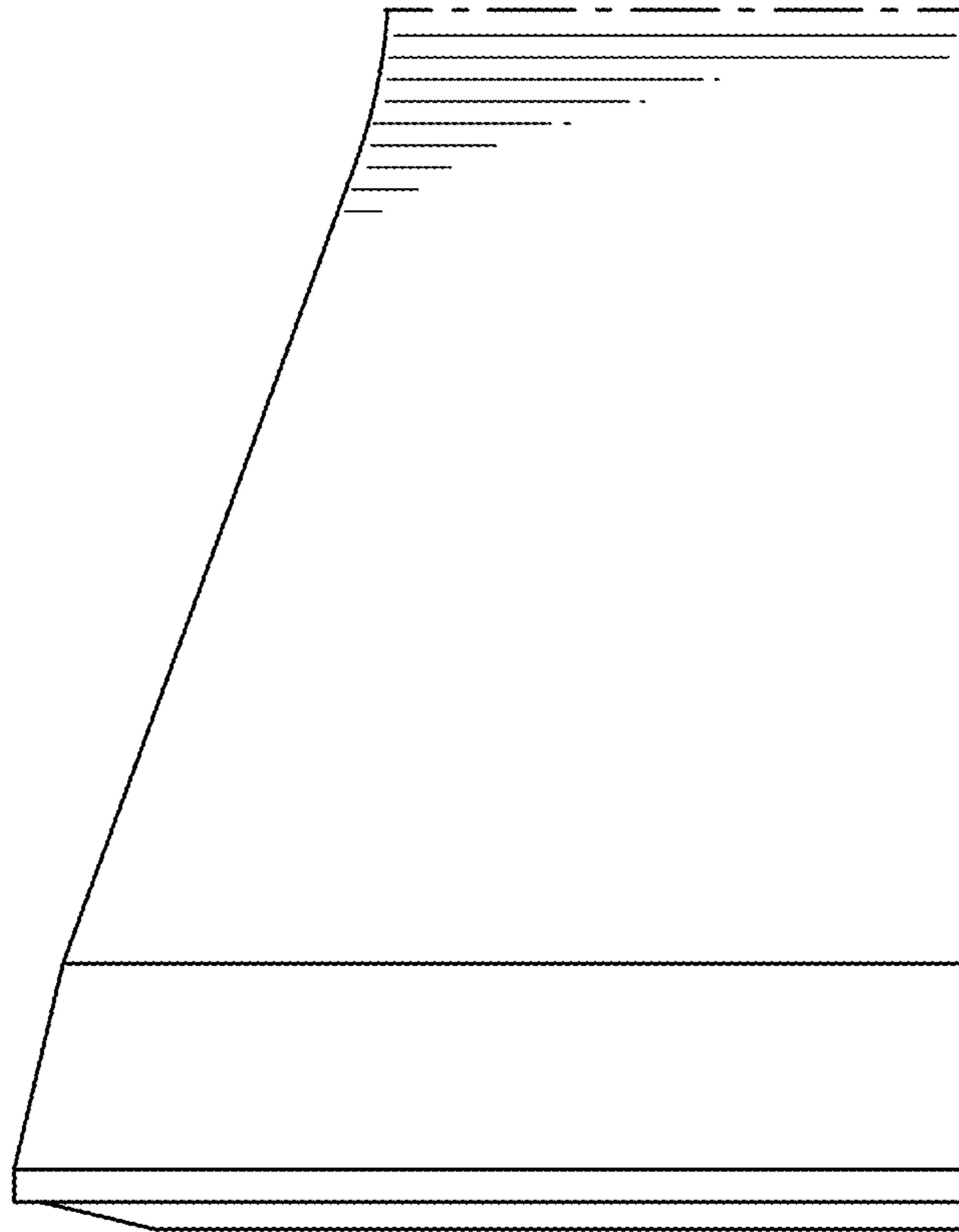


FIG. 7