



US00D802102S

(12) **United States Design Patent** (10) **Patent No.:** **US D802,102 S**  
**Mursu et al.** (45) **Date of Patent:** **\*\* Nov. 7, 2017**

(54) **HOSE FITTING**  
(71) Applicant: **Rockler Companies, Inc.**, Medina, MN (US)  
(72) Inventors: **Emily Anne Mursu**, Plymouth, MN (US); **Daniel Lloyd Wenning**, Minnetonka, MN (US)  
(73) Assignee: **Rockler Companies Incorporated**, Medina, MN (US)

D659,922 S \* 5/2012 Krohmer ..... D32/31  
D675,295 S \* 1/2013 Mitchell ..... D23/263  
D677,545 S \* 3/2013 Sell ..... D8/70  
D678,028 S \* 3/2013 Rosenau ..... D8/70  
D679,784 S \* 4/2013 Meyer ..... D23/262  
D683,918 S \* 6/2013 Erlich ..... D32/25  
D686,306 S \* 7/2013 Grether ..... D23/264  
D687,195 S \* 7/2013 Sell ..... D32/21  
D712,013 S \* 8/2014 Mather ..... D23/259  
D718,009 S \* 11/2014 Sun ..... D32/31

(Continued)

(\*\*) Term: **15 Years**

(21) Appl. No.: **29/548,644**

(22) Filed: **Dec. 15, 2015**

(51) **LOC (10) Cl.** ..... **23-01**

(52) **U.S. Cl.**  
USPC ..... **D23/259; D32/31**

(58) **Field of Classification Search**  
USPC ..... D23/259–266, 213, 223; D32/14, 25, D32/31–33, 39; 137/798; 138/122, 131, 138/133; 285/335; 15/359, 371, 373, 15/417  
CPC ..... F16L 33/227; F16L 33/22; F16L 29/007; F16L 31/00; F16L 25/0018; A47L 9/06; A47L 9/062; A47L 9/0633; A47L 9/24

See application file for complete search history.

(56) **References Cited**

**U.S. PATENT DOCUMENTS**

D300,574 S \* 4/1989 Smith ..... D32/31  
D374,524 S \* 10/1996 Harris ..... D32/32  
D407,467 S \* 3/1999 McWilliams ..... D23/260  
D417,534 S \* 12/1999 Holston ..... D32/31  
D633,601 S \* 3/2011 Grether ..... D23/264  
D633,990 S \* 3/2011 Grether ..... D23/264  
D638,918 S \* 5/2011 Grether ..... D23/263  
D638,919 S \* 5/2011 Grether ..... D23/264  
D652,917 S \* 1/2012 Hill ..... D24/129

**OTHER PUBLICATIONS**

Rockler—Threaded Quick Coupler, Item #63577, obtained from <<http://www.rockler.com/threaded-quick-coupler>>, printed Jun. 9, 2015—publicly available prior to Dec. 14, 2014 (5 pages).

(Continued)

*Primary Examiner* — Eric Goodman  
*Assistant Examiner* — Amy Wierenga  
(74) *Attorney, Agent, or Firm* — James L. Young; Westman, Champlin & Koehler, P.A.

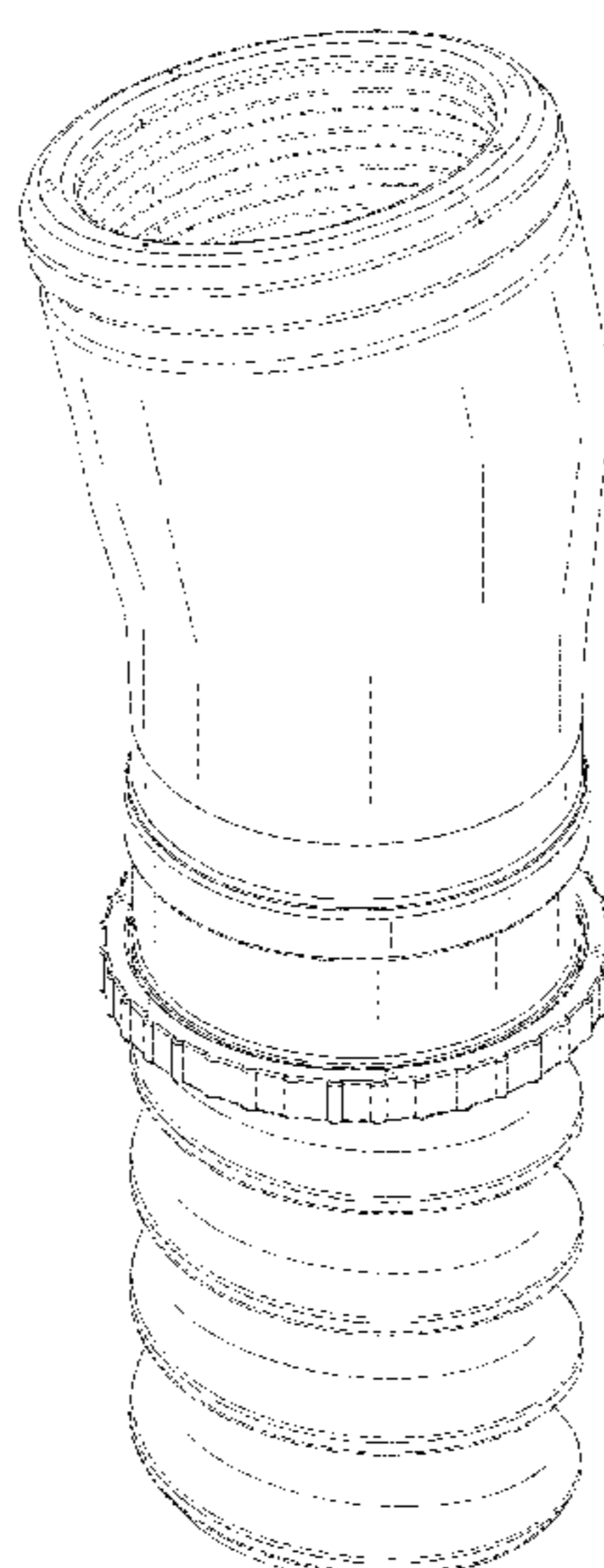
(57) **CLAIM**

The ornamental design for a hose fitting, as shown and described.

**DESCRIPTION**

FIG. 1 is a perspective view of a hose fitting; FIG. 2 is a front view of the hose fitting of FIG. 1; FIG. 3 is a rear view of the hose fitting of FIG. 1; FIG. 4 is a side view of the hose fitting of FIG. 1 (as taken from the left of FIG. 2); FIG. 5 is a side view of the hose fitting of FIG. 1 (as taken from the right of FIG. 2); FIG. 6 is a top view of the hose fitting of FIG. 1; and, FIG. 7 is a bottom view of the hose fitting of FIG. 1. The broken lines in the FIGS. are for illustrative purposes only and form no part of the claimed design.

**1 Claim, 6 Drawing Sheets**



(56)

**References Cited**

U.S. PATENT DOCUMENTS

2011/0142561 A1\* 6/2011 Hahn ..... B23Q 11/0046  
408/56

OTHER PUBLICATIONS

Rockler—2½" Screw End Hose Adapter, Item #42255, obtained from <<http://www.rockler.com/2-1-2-screw-end-hose-adapter>>, printed Jun. 9, 2015—publicly available prior to Dec. 14, 2014 (5 pages).

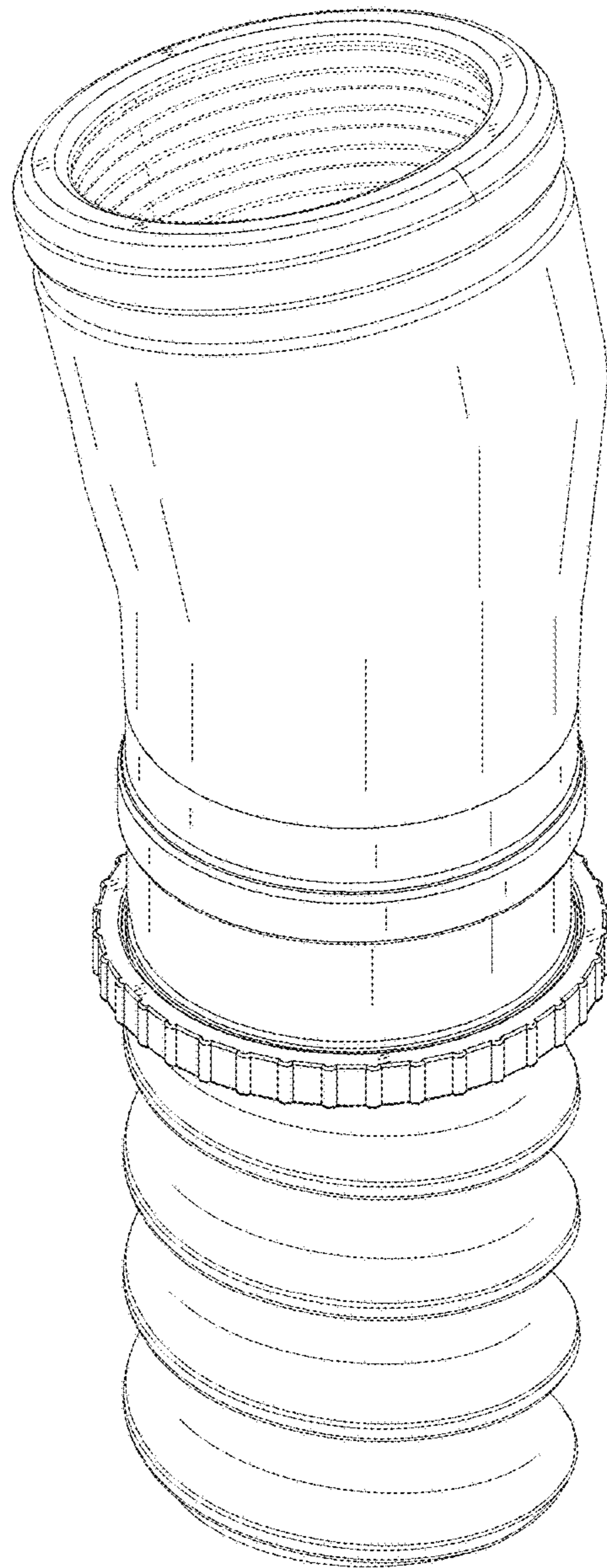
Woodworker's Supply—Threaded Quick Disconnects Eliminate the Need for Clamps, Catalog No. 158-081, obtained from <<http://woodworker.com/4-threaded-quick-disconnect-mssu-158-081.asp>> printed Jun. 9, 2015—publicly available prior to Dec. 14, 2014 (2 pages).

Woodcraft—4" Quick Disconnect Hose to 4" O.D. Dust Collection Fitting, Item #140259, obtained from <<http://www.woodcraft.com/product/140259/4-Quick-Disconnect-Hose-to-4-OD-Dust-Collection-Fitting.aspx>>, printed Jun. 2, 2015—publicly available prior to Dec. 14, 2014 (2 pages).

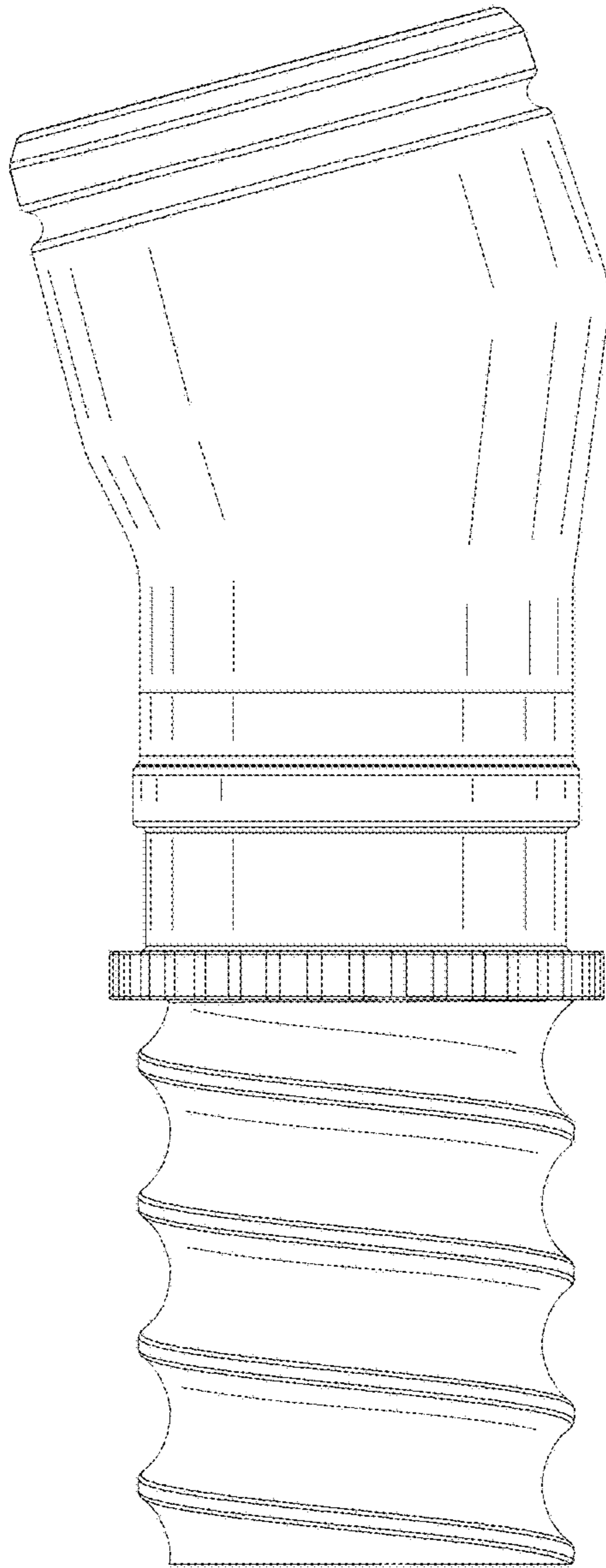
Peachtree Woodworking Supply Inc.—Dust Collection Fittings—Reducers, obtained from <[http://www.ptreeusa.com/dustfittings\\_reducers.htm](http://www.ptreeusa.com/dustfittings_reducers.htm)>, printed Jun. 9, 2015, publicly available prior to Dec. 14, 2014 (6 pages).

Harbor Freight Tools—4 In ×2¼ In Hose Connector, Central—Machinery—Item #96547, obtained from <<http://www.harborfreight.com/4-inch-x-2-1-4-quarter-inch-hose-connector-96457.html>>, printed Jun. 9, 2015, publicly available prior to Dec. 14, 2014 (2 pages).

\* cited by examiner

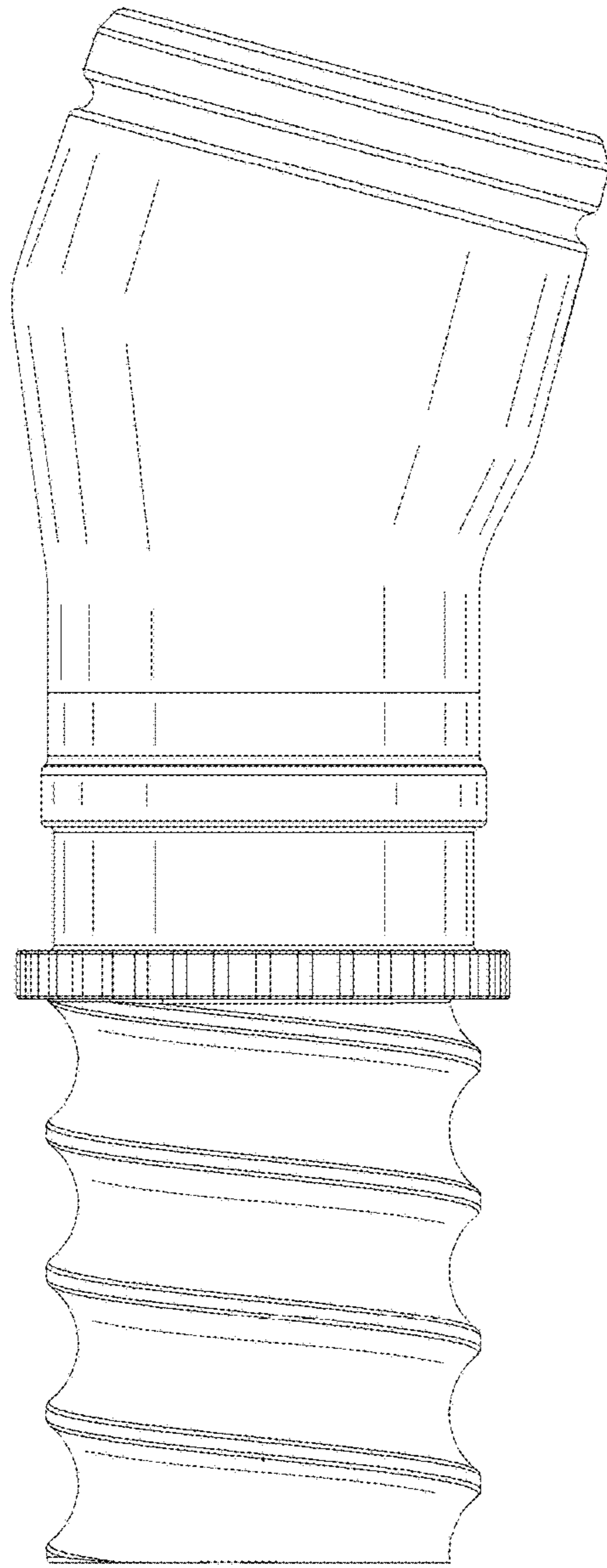


**FIG. 1**

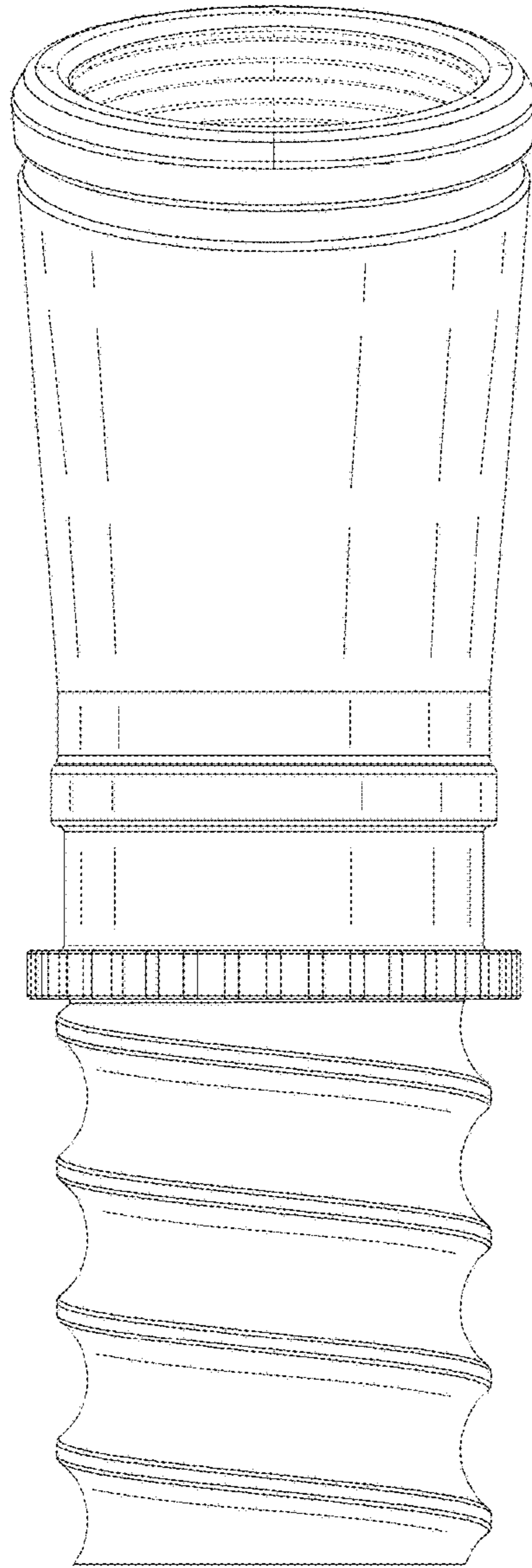


**FIG. 2**

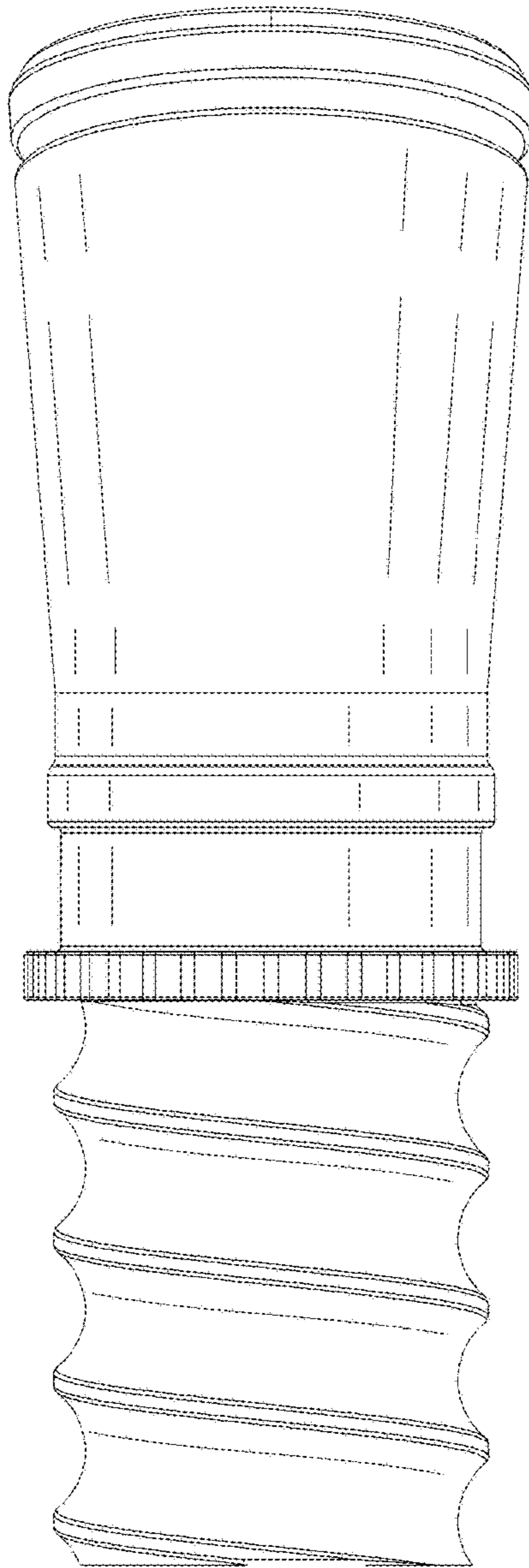




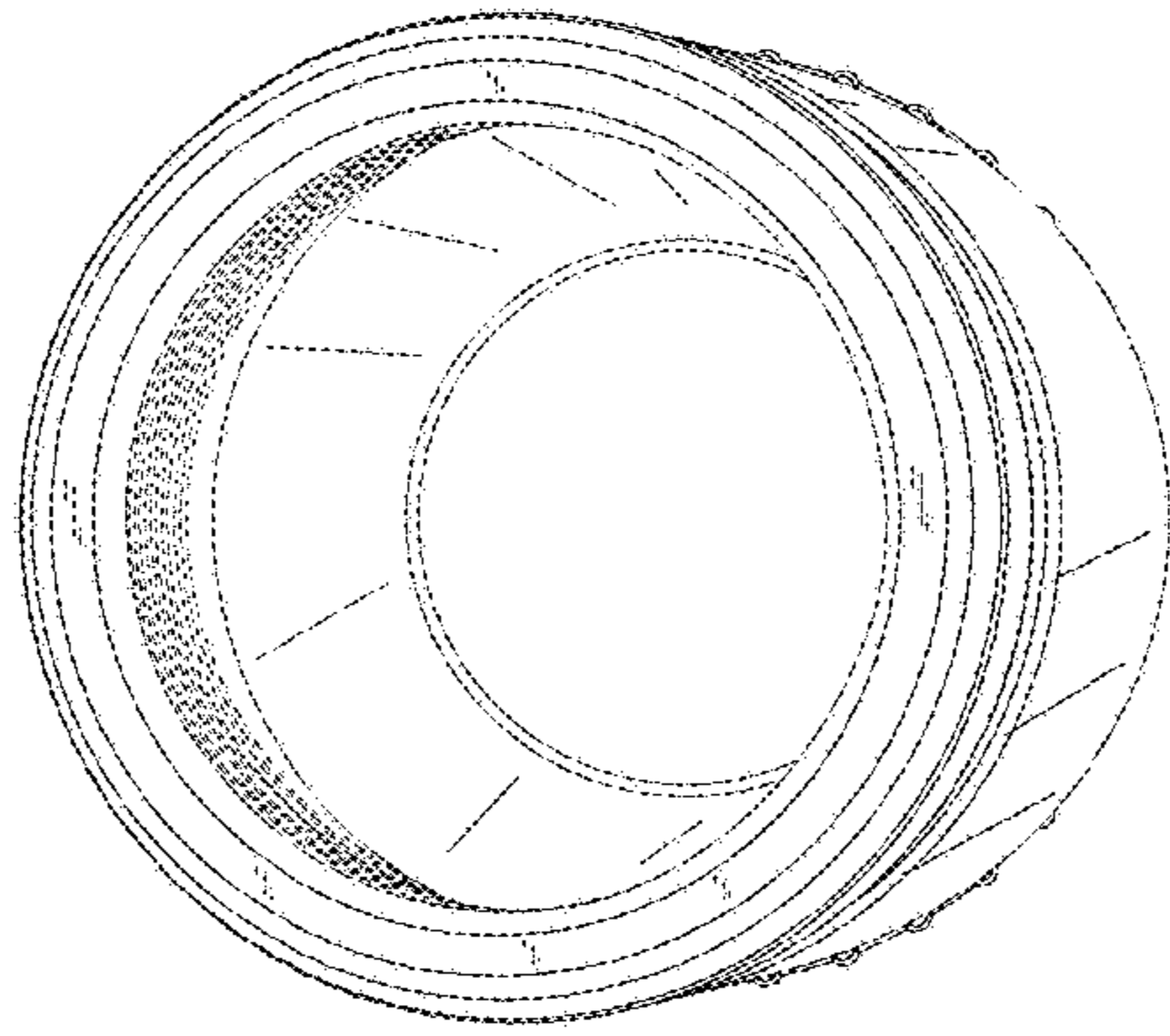
**FIG. 3**



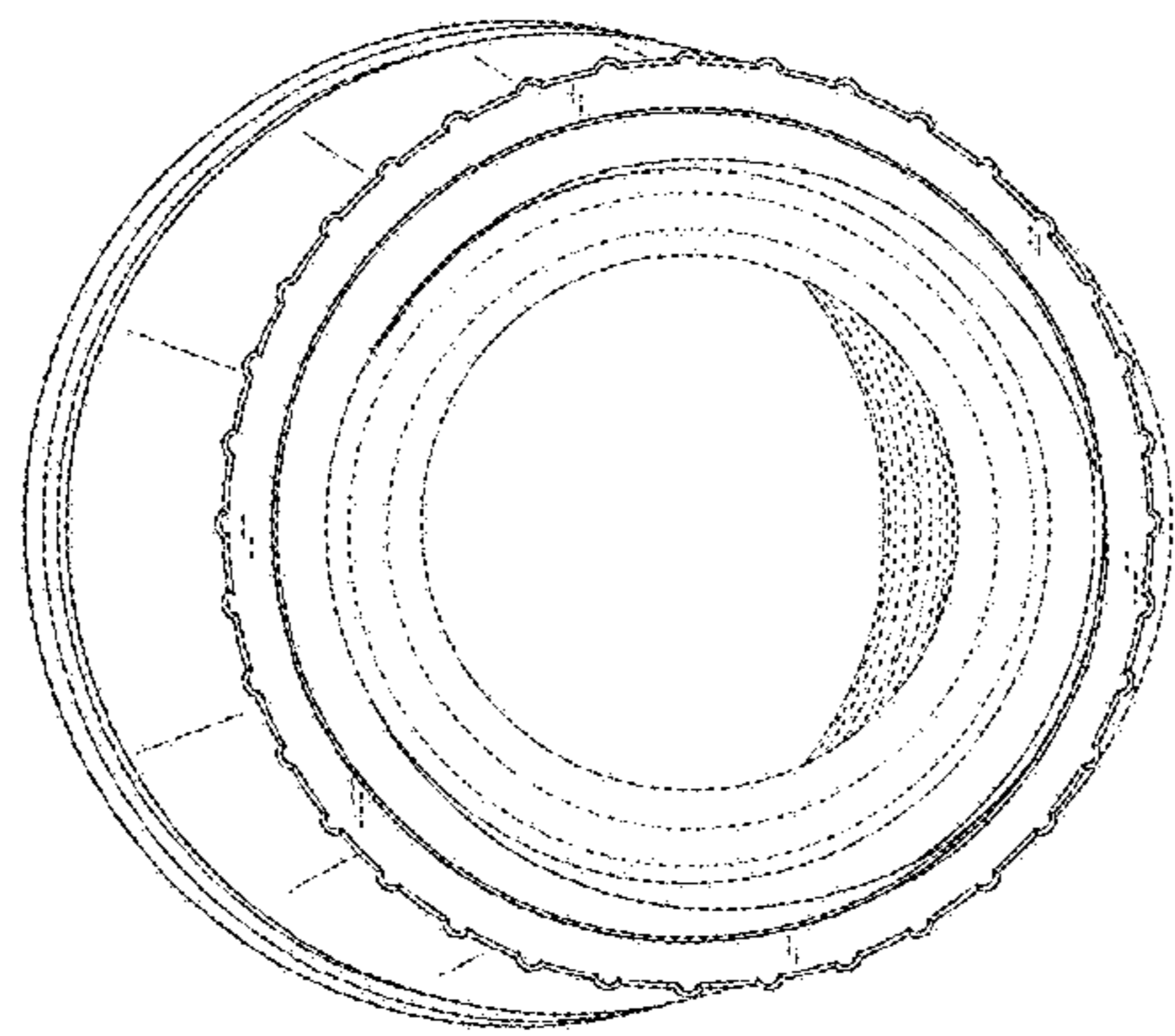
**FIG. 4**



**FIG. 5**



**FIG. 6**



**FIG. 7**