



US00D802101S

(12) **United States Design Patent** (10) **Patent No.:** **US D802,101 S**
Kirar et al. (45) **Date of Patent:** **** Nov. 7, 2017**

- (54) **FAUCET**
- (71) Applicant: **Kohler Co.**, Kohler, WI (US)
- (72) Inventors: **Laura K. Kirar**, Miami Beach, FL (US); **William C. McKeone**, Sheboygan, WI (US)
- (73) Assignee: **KOHLER CO.**, Kohler, WI (US)
- (**) Term: **15 Years**
- (21) Appl. No.: **29/603,618**
- (22) Filed: **May 11, 2017**

- D524,140 S 7/2006 Kirar
- D531,267 S 10/2006 Hundley
- D532,866 S 11/2006 Kirar
- D533,924 S 12/2006 Kirar
- D534,251 S 12/2006 Barry
- D564,634 S 3/2008 Kirar
- D570,453 S 6/2008 Tsai
- D575,848 S * 8/2008 Kirar D23/238
- D581,025 S 11/2008 Schonherr
- D619,872 S 7/2010 Singtoroj
- D666,277 S 8/2012 Schaefer
- 8,235,431 B2 8/2012 Williamson
- D678,987 S 3/2013 Liao
- D684,669 S 6/2013 Eilmus
- D685,878 S 7/2013 Fritz
- D714,912 S 10/2014 Barry

(Continued)

Related U.S. Application Data

- (62) Division of application No. 29/540,140, filed on Sep. 21, 2015, now Pat. No. Des. 787,642.
- (51) **LOC (10) Cl.** **23-01**
- (52) **U.S. Cl.**
USPC **D23/257**
- (58) **Field of Classification Search**
USPC D23/238-243, 249, 255, 257, 250, 252, D23/254
CPC E03C 1/04; E03C 1/0401; E03C 1/0402; E03C 1/0404; F16K 31/602; F16K 31/605; F16K 31/607
See application file for complete search history.

References Cited

U.S. PATENT DOCUMENTS

- D255,921 S 7/1980 Doman
- D318,904 S 8/1991 Hartkopf
- D334,230 S 3/1993 Bonnell
- D384,401 S 9/1997 Doughty
- D472,615 S 4/2003 Smith
- D487,305 S 3/2004 Ouyoung
- D517,174 S 3/2006 Singtoroj
- D522,102 S 5/2006 Fritz

Primary Examiner — Robert Delehanty

(74) *Attorney, Agent, or Firm* — Foley & Lardner LLP

(57) **CLAIM**

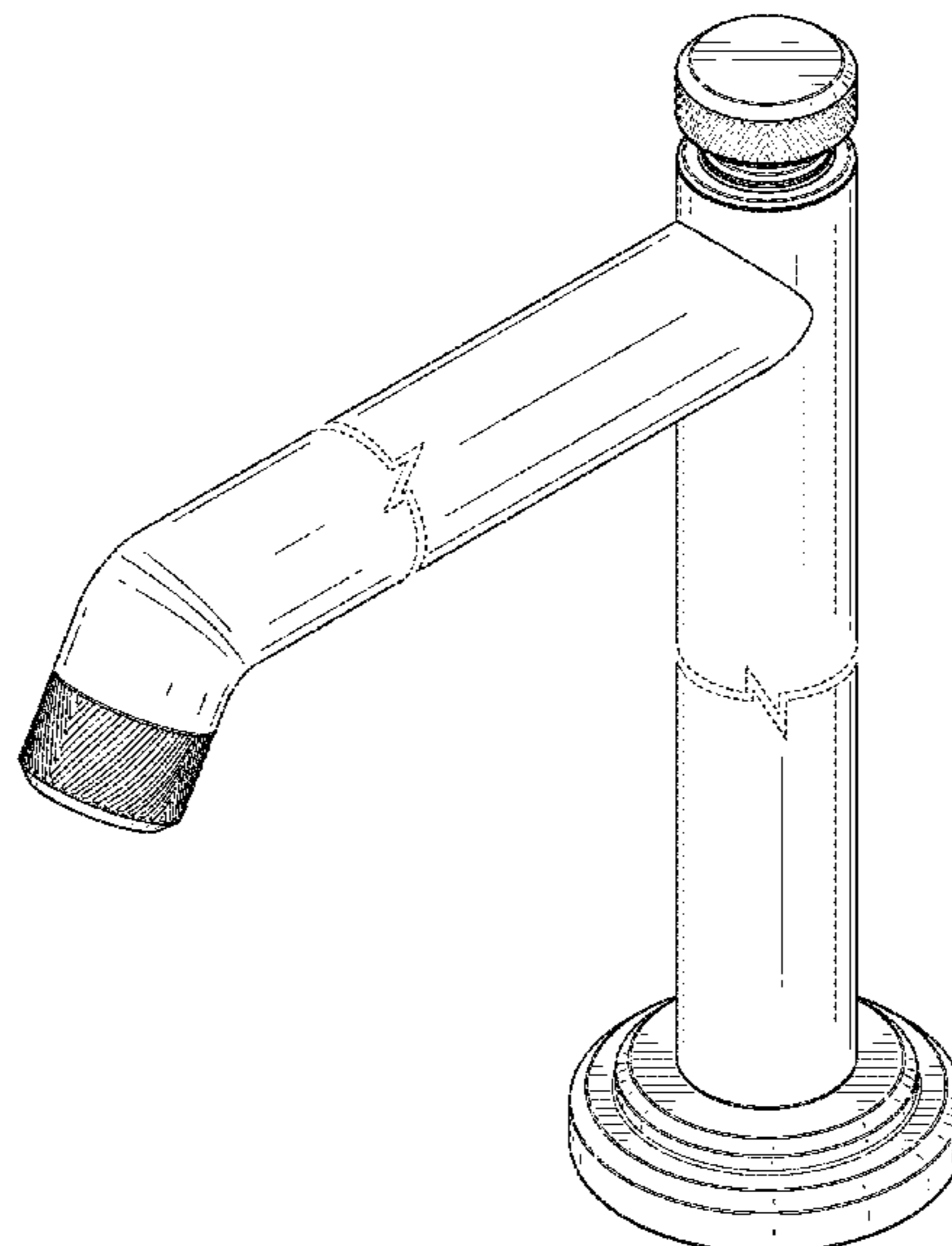
I claim the ornamental design for a faucet, as shown and described.

DESCRIPTION

FIG. 1 is a perspective view of an embodiment of the claimed design;
FIG. 2 is a front view thereof;
FIG. 3 is a rear view thereof;
FIG. 4 is a side view thereof;
FIG. 5 is a top view thereof; and,
FIG. 6 is a bottom view thereof.

The ornamental design which is claimed is shown in solid lines in the drawings. The broken lines in the drawings form no part of the claimed design. Broken lines formed by equal length dashes show unclaimed subject matter. Broken lines formed by unequal length dashes (i.e., dash-dot) define bounds of the claimed design. Broken away symbols having a jagged element show that no particular length of the portion is claimed.

1 Claim, 6 Drawing Sheets



(56)

References Cited

U.S. PATENT DOCUMENTS

| | | |
|------------|---------|------------|
| D741,453 S | 10/2015 | Bahler |
| D754,827 S | 4/2016 | Byron |
| D767,102 S | 9/2016 | Schoenherr |
| D787,645 S | 5/2017 | Kirar |

* cited by examiner

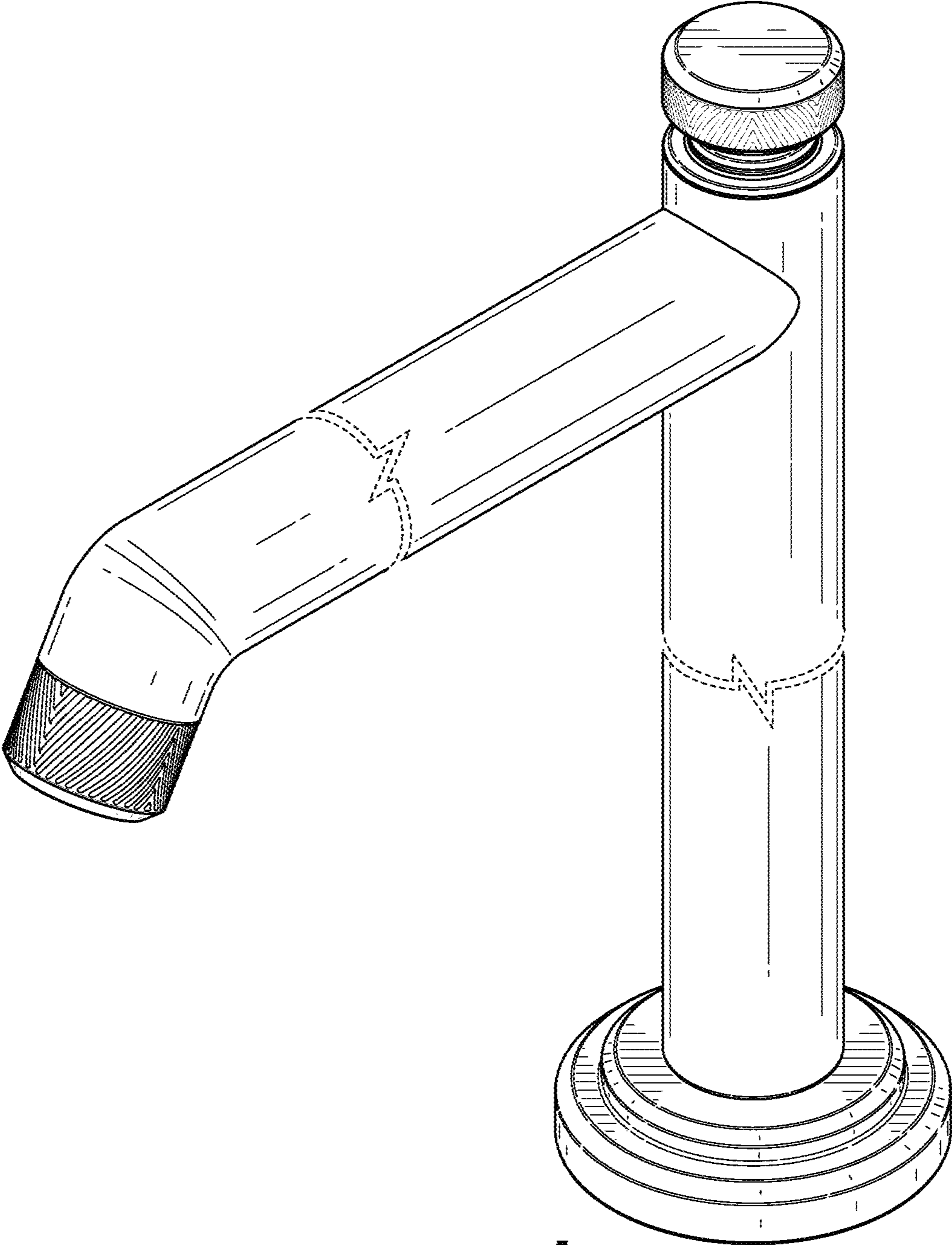


FIG. 1

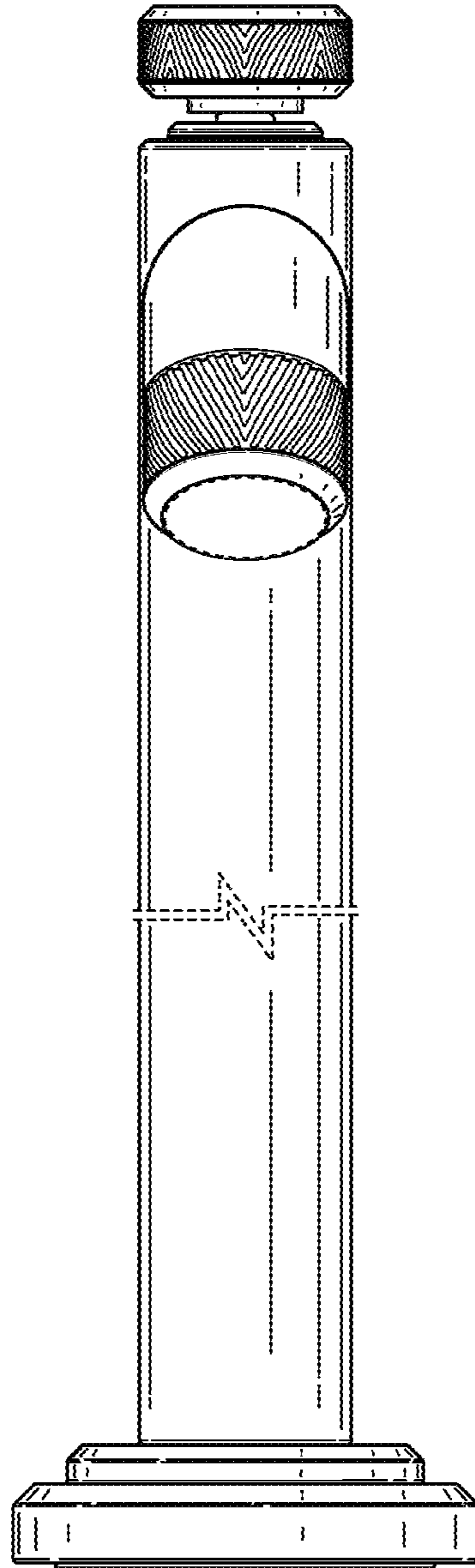


FIG. 2

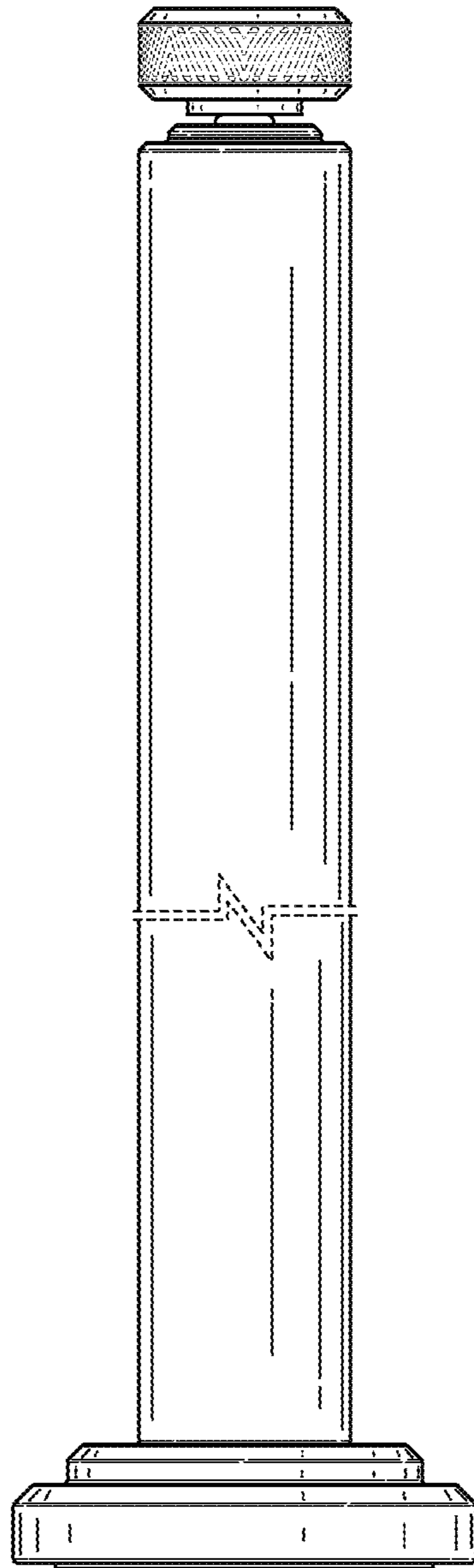


FIG. 3

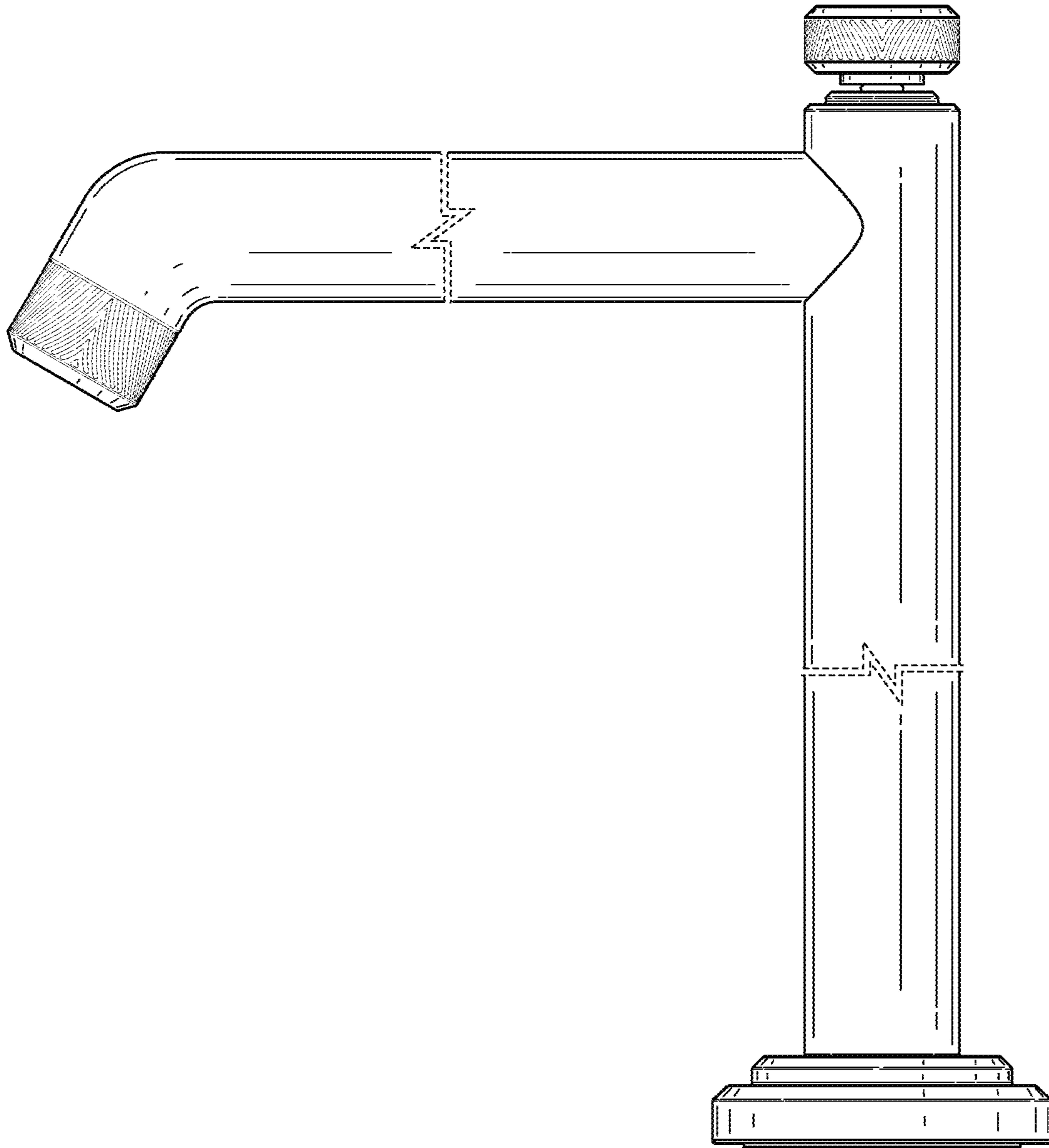


FIG. 4

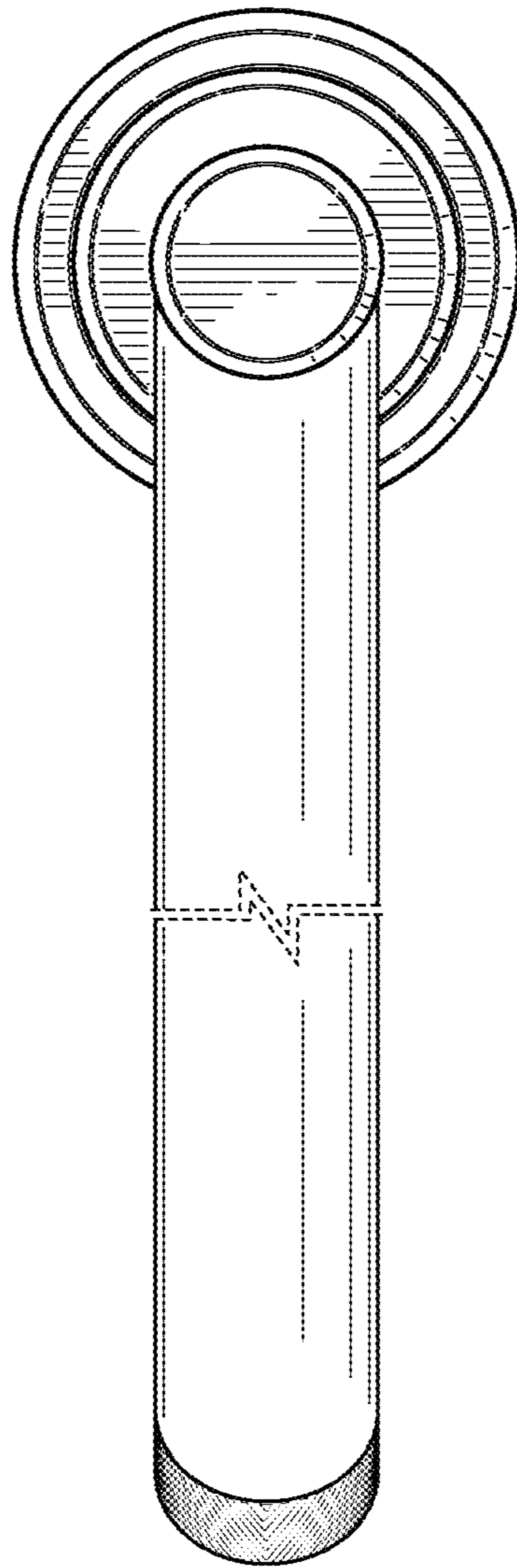


FIG. 5

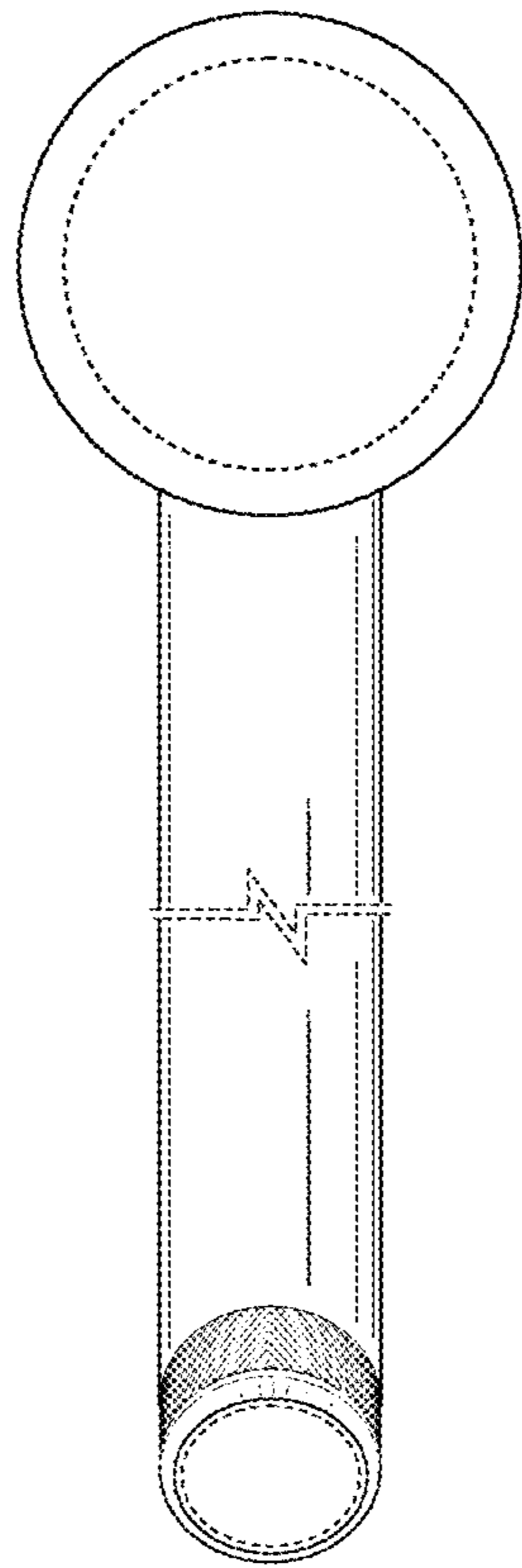


FIG. 6