



US00D802100S

(12) **United States Design Patent** (10) **Patent No.:** **US D802,100 S**
Kirar et al. (45) **Date of Patent:** **** Nov. 7, 2017**

(54) **FAUCET**
(71) Applicant: **Kohler Co.**, Kohler, WI (US)
(72) Inventors: **Laura K. Kirar**, Miami Beach, FL (US); **William C. McKeone**, Sheboygan, WI (US)
(73) Assignee: **KOHLER CO.**, Kohler, WI (US)
(**) Term: **15 Years**
(21) Appl. No.: **29/603,617**
(22) Filed: **May 11, 2017**

D531,267 S 10/2006 Hundley
D532,866 S 11/2006 Kirar
D533,924 S 12/2006 Kirar
D534,251 S * 12/2006 Barry D23/238
D564,634 S 3/2008 Kirar
D570,453 S 6/2008 Tsai
D581,025 S 11/2008 Schonherr
D619,872 S 7/2010 Singtoroj
D666,277 S 8/2012 Schaefer
8,235,431 B2 8/2012 Williamson
D678,987 S * 3/2013 Liao D23/257
D684,669 S 6/2013 Eilmus
D685,878 S 7/2013 Fritz
D714,912 S 10/2014 Barry
D741,453 S 10/2015 Bahler
D754,827 S * 4/2016 Byron D23/257

(Continued)

Related U.S. Application Data

(62) Division of application No. 29/540,143, filed on Sep. 21, 2015, now Pat. No. Des. 787,645.
(51) **LOC (10) Cl.** **23-01**
(52) **U.S. Cl.**
USPC **D23/257**
(58) **Field of Classification Search**
USPC D23/238-243, 249, 255, 257
CPC E03C 1/04; E03C 1/0401; E03C 1/0402; E03C 1/0404; F16K 31/602; F16K 31/605; F16K 31/607
See application file for complete search history.

References Cited

U.S. PATENT DOCUMENTS

D255,921 S * 7/1980 Doman D23/257
D318,904 S 8/1991 Hartkopf
D334,230 S 3/1993 Bonnell
D384,401 S 9/1997 Doughty
D472,615 S * 4/2003 Smith D23/238
D487,305 S * 3/2004 Ouyoung D23/238
D517,174 S * 3/2006 Singtoroj D23/252
D522,102 S 5/2006 Fritz
D524,140 S 7/2006 Kirar

Primary Examiner — Robert Delehanty

(74) *Attorney, Agent, or Firm* — Foley & Lardner LLP

(57) **CLAIM**

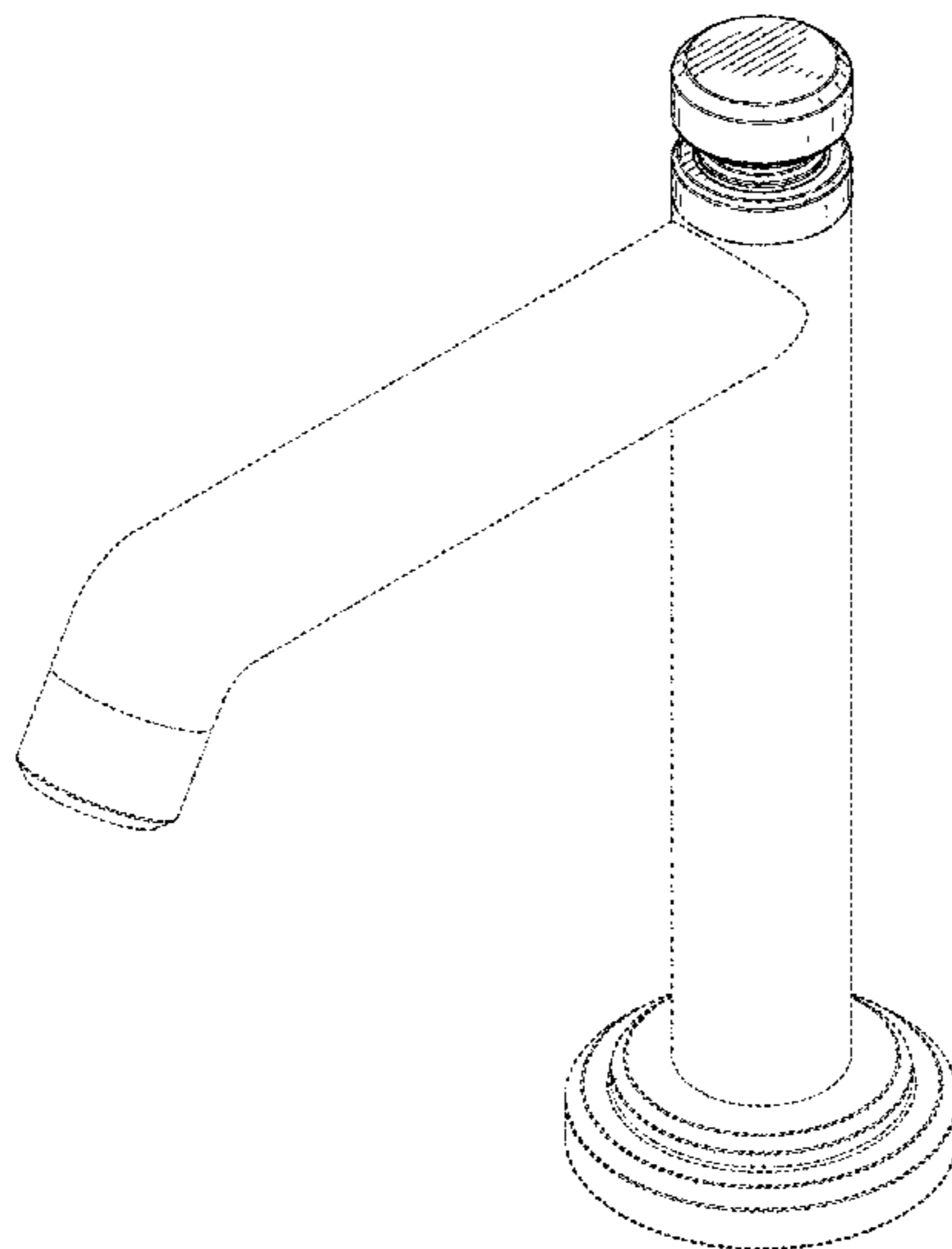
We claim the ornamental design for a faucet, as shown and described.

DESCRIPTION

FIG. 1 is a perspective view of an embodiment of the claimed design;
FIG. 2 is a front view thereof;
FIG. 3 is a rear view thereof;
FIG. 4 is a side view thereof;
FIG. 5 is a top view thereof; and,
FIG. 6 is a bottom view thereof.

The ornamental design which is claimed is shown in solid lines in the drawings. The broken lines in the drawings form no part of the claimed design. Broken lines formed by equal length dashes show unclaimed subject matter. Broken lines formed by unequal length dashes (i.e., dash-dot) define bounds of the claimed design. Broken away symbols having a jagged element show that no particular length of the portion is claimed.

1 Claim, 6 Drawing Sheets



(56)

References Cited

U.S. PATENT DOCUMENTS

D767,102 S * 9/2016 Schoenherr D23/257
D787,645 S * 5/2017 Kirar D23/257

* cited by examiner

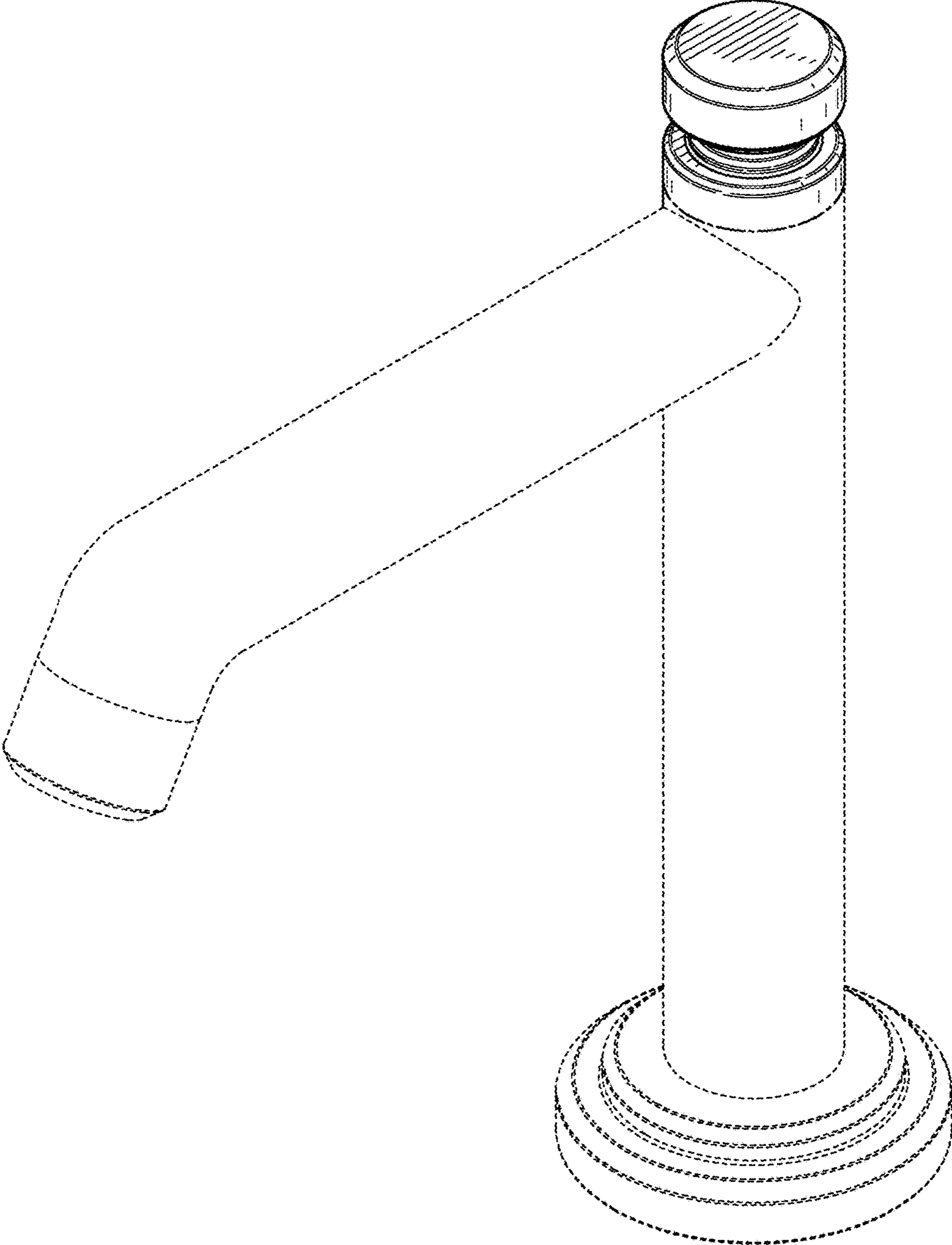


FIG. 1

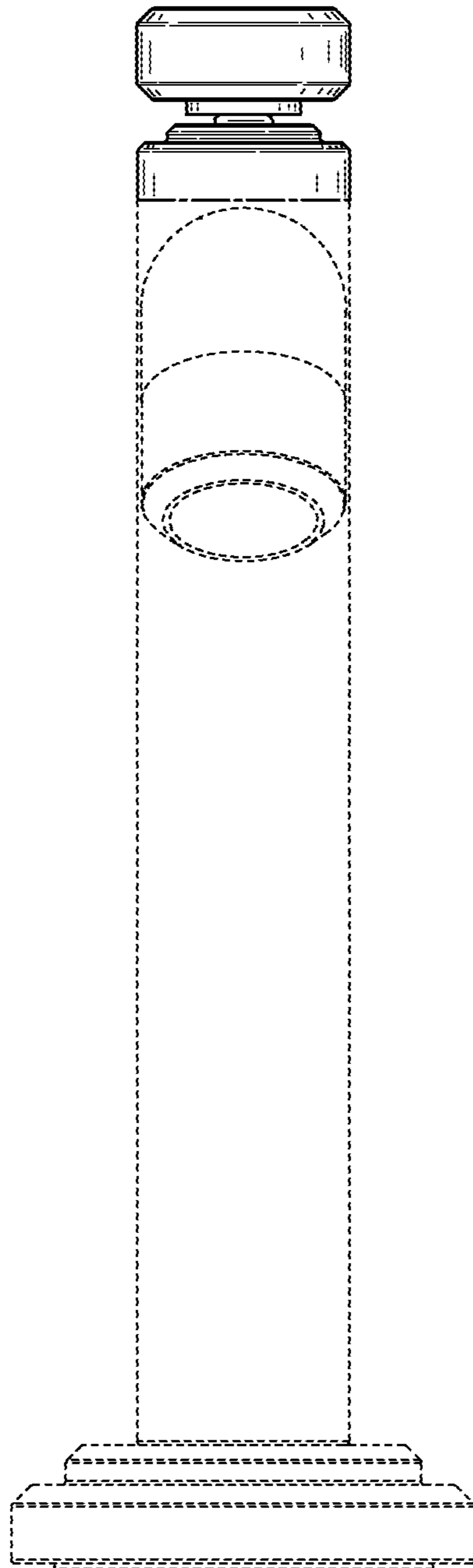


FIG. 2

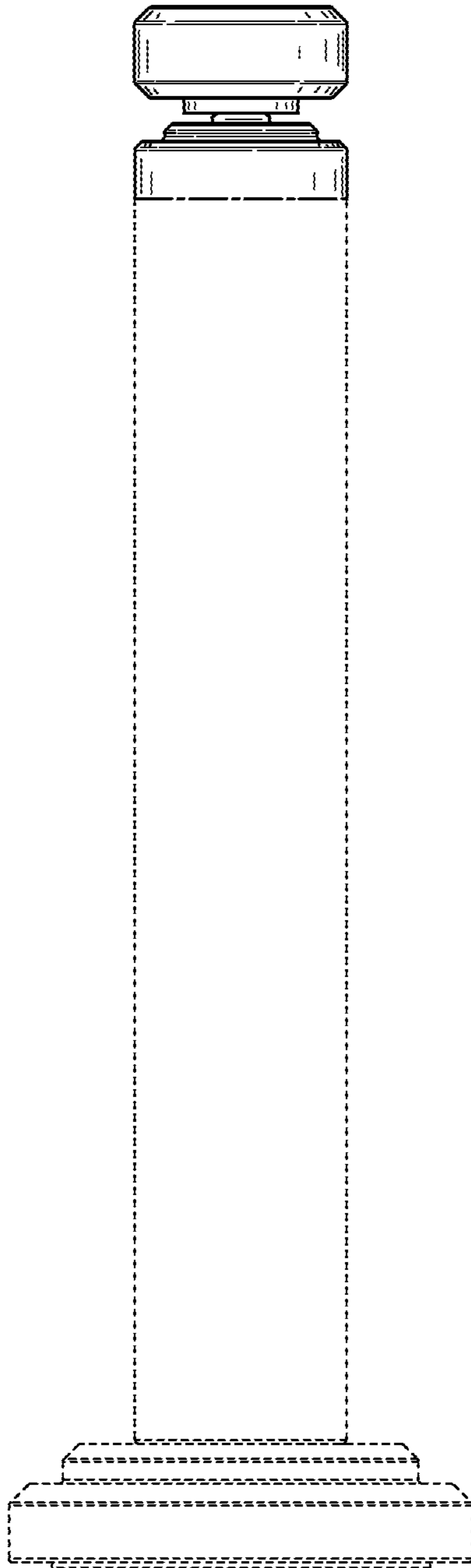


FIG. 3

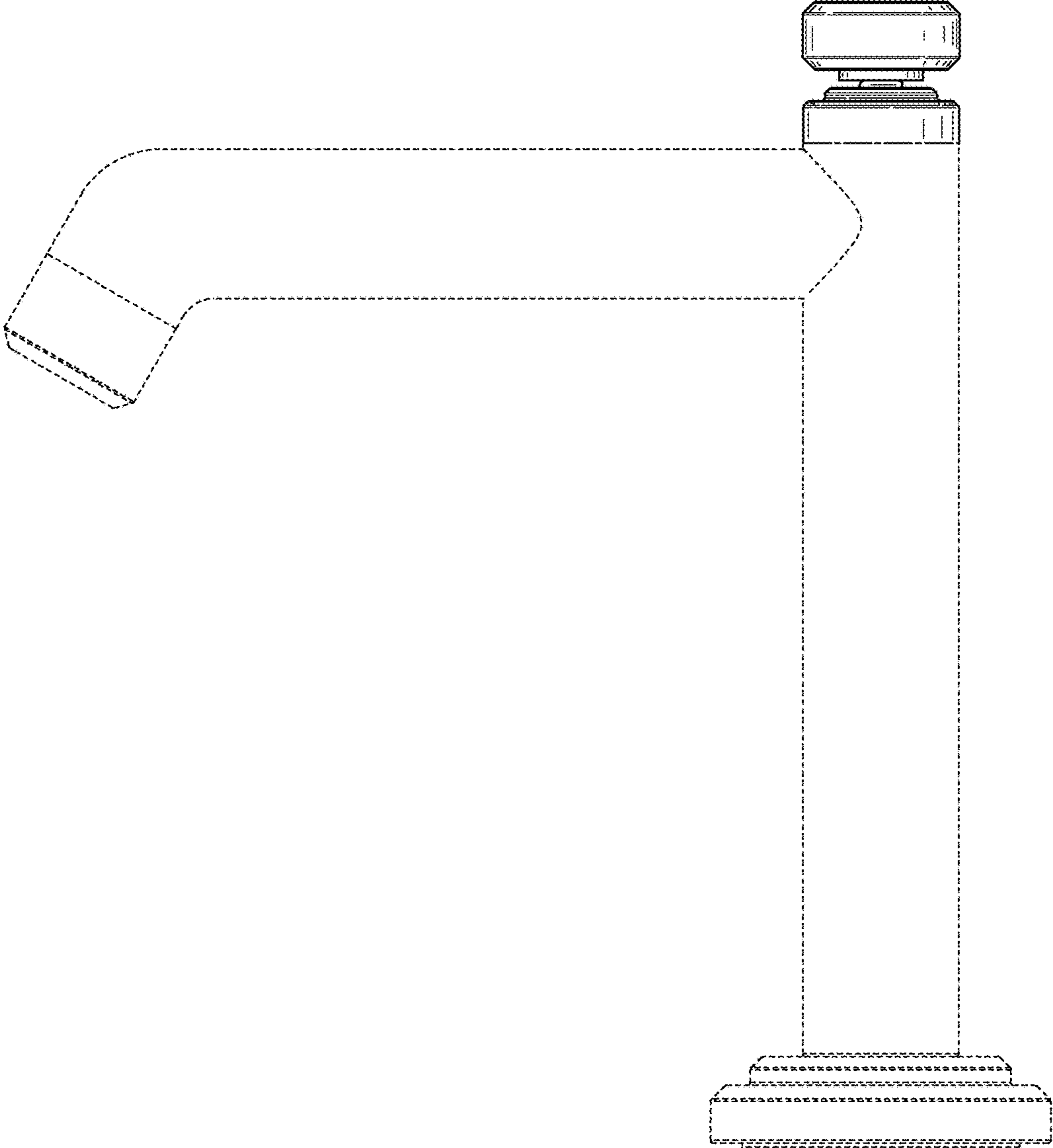


FIG. 4

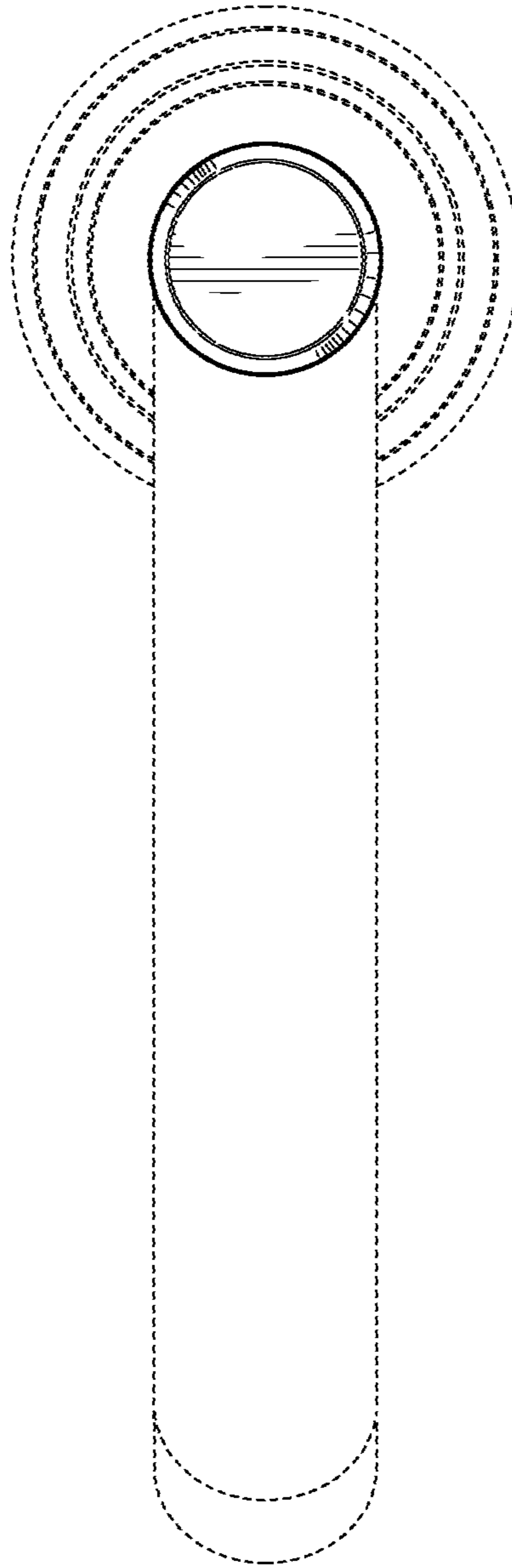


FIG. 5

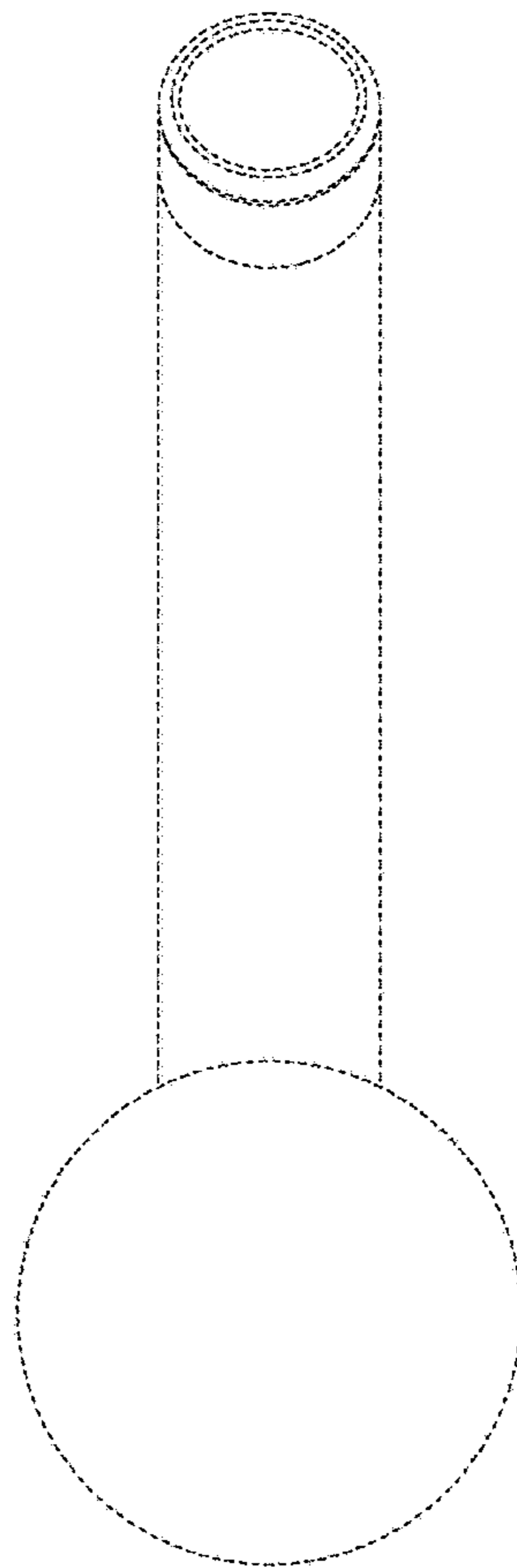


FIG. 6