



US00D802098S

(12) **United States Design Patent** (10) **Patent No.:** **US D802,098 S**  
**Hofmann et al.** (45) **Date of Patent:** **\*\* Nov. 7, 2017**

(54) **FAUCET INNER HOUSING**  
(71) Applicant: **WATTS REGULATOR CO.**, North Andover, MA (US)  
(72) Inventors: **Steven Hofmann**, Haverhill, MA (US); **Matthew Fratantonio**, Northborough, MA (US)  
(73) Assignee: **Watts Regulator Co.**, North Andover, MA (US)  
(\*\*) Term: **15 Years**  
(21) Appl. No.: **29/581,723**  
(22) Filed: **Oct. 21, 2016**  
(51) **LOC (10) Cl.** ..... **23-01**  
(52) **U.S. Cl.**  
USPC ..... **D23/249**  
(58) **Field of Classification Search**  
USPC ..... D23/233-249, 209; 137/266, 801, 270, 137/454.5, 549, 614.2; D10/40; 210/512.1, 323.2  
CPC ..... B01D 2201/302; B01D 35/30; B01D 35/1573; F16K 1/12; F16K 19/006; F16K 27/00; E03C 1/021; E03C 1/0403  
See application file for complete search history.

D782,617 S \* 3/2017 Evans ..... E03C 1/057 D23/249  
D783,774 S \* 4/2017 Costantini ..... D23/209  
2015/0151220 A1\* 6/2015 Adey ..... B03C 1/286 210/512.1  
2015/0151222 A1\* 6/2015 Simmons ..... B01D 35/301 210/323.2

\* cited by examiner  
*Primary Examiner* — Cynthia Ramirez  
*Assistant Examiner* — Gino Colan  
(74) *Attorney, Agent, or Firm* — Burns & Levinson, LLP; George N. Chaclas, Esq.

(57) **CLAIM**

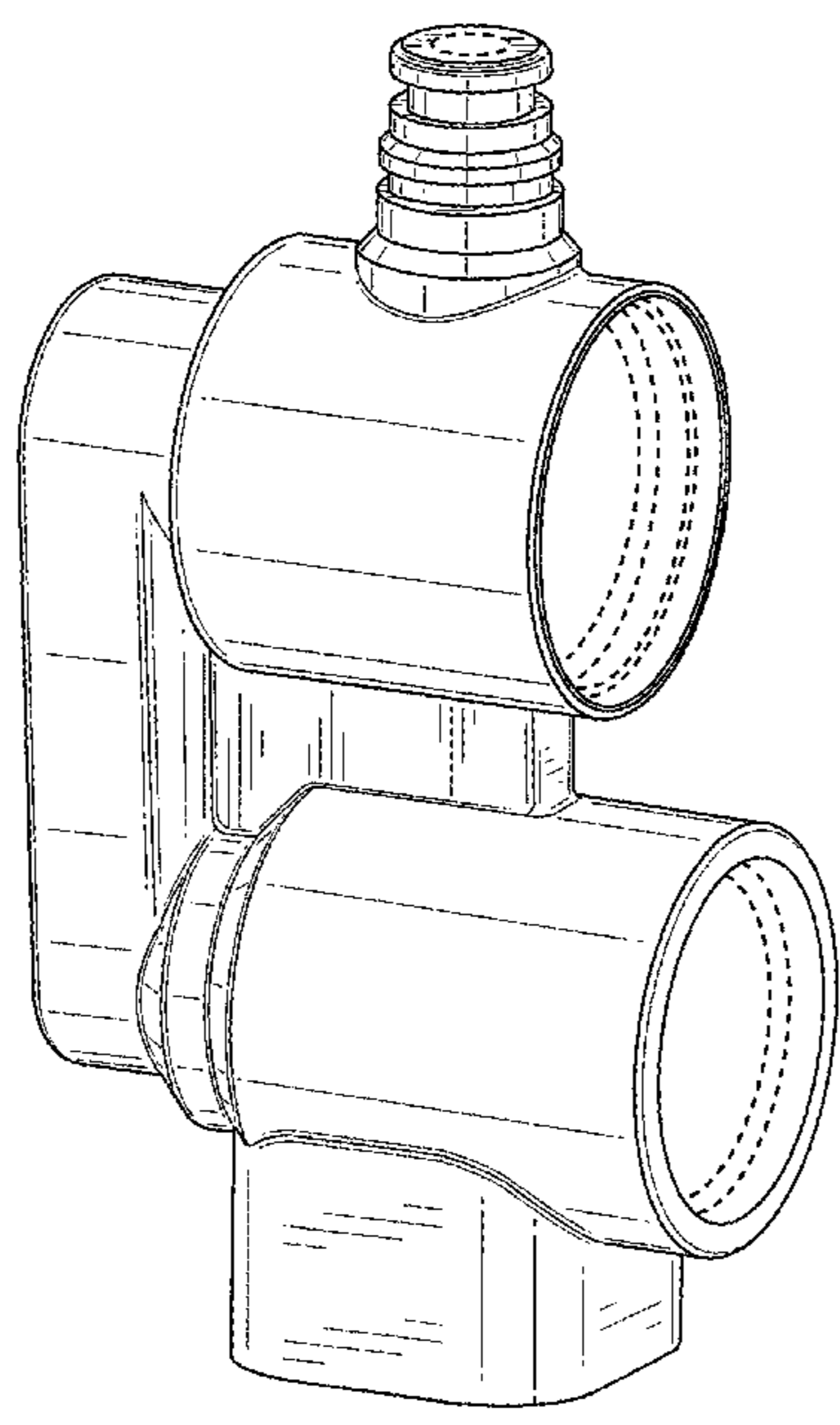
The ornamental design for a faucet inner housing, as shown and described.

**DESCRIPTION**

FIG. 1 is a front perspective view of a faucet inner housing showing our new design.  
FIG. 2 is a left side view of the faucet inner housing of FIG. 1.  
FIG. 3 is a right side of the faucet inner housing of FIG. 1.  
FIG. 4 is a back view of the faucet inner housing of FIG. 1.  
FIG. 5 is a front view of the faucet inner housing of FIG. 1.  
FIG. 6 is a top view of the faucet inner housing of FIG. 1; and,  
FIG. 7 is a bottom view of the faucet inner housing of FIG. 1.  
The broken line showings of the faucet inner housing are included for the purpose of illustrating portions of the faucet inner housing and form no part of the claimed design.

**1 Claim, 7 Drawing Sheets**

(56) **References Cited**  
U.S. PATENT DOCUMENTS  
D606,163 S \* 12/2009 Bobby ..... D23/233  
D648,420 S \* 11/2011 Hecht ..... D23/233  
D648,421 S \* 11/2011 Hecht ..... D23/233  
D690,390 S \* 9/2013 Garm ..... D23/233  
D720,431 S \* 12/2014 Michael ..... D10/40  
D752,180 S \* 3/2016 Farkas ..... D23/233



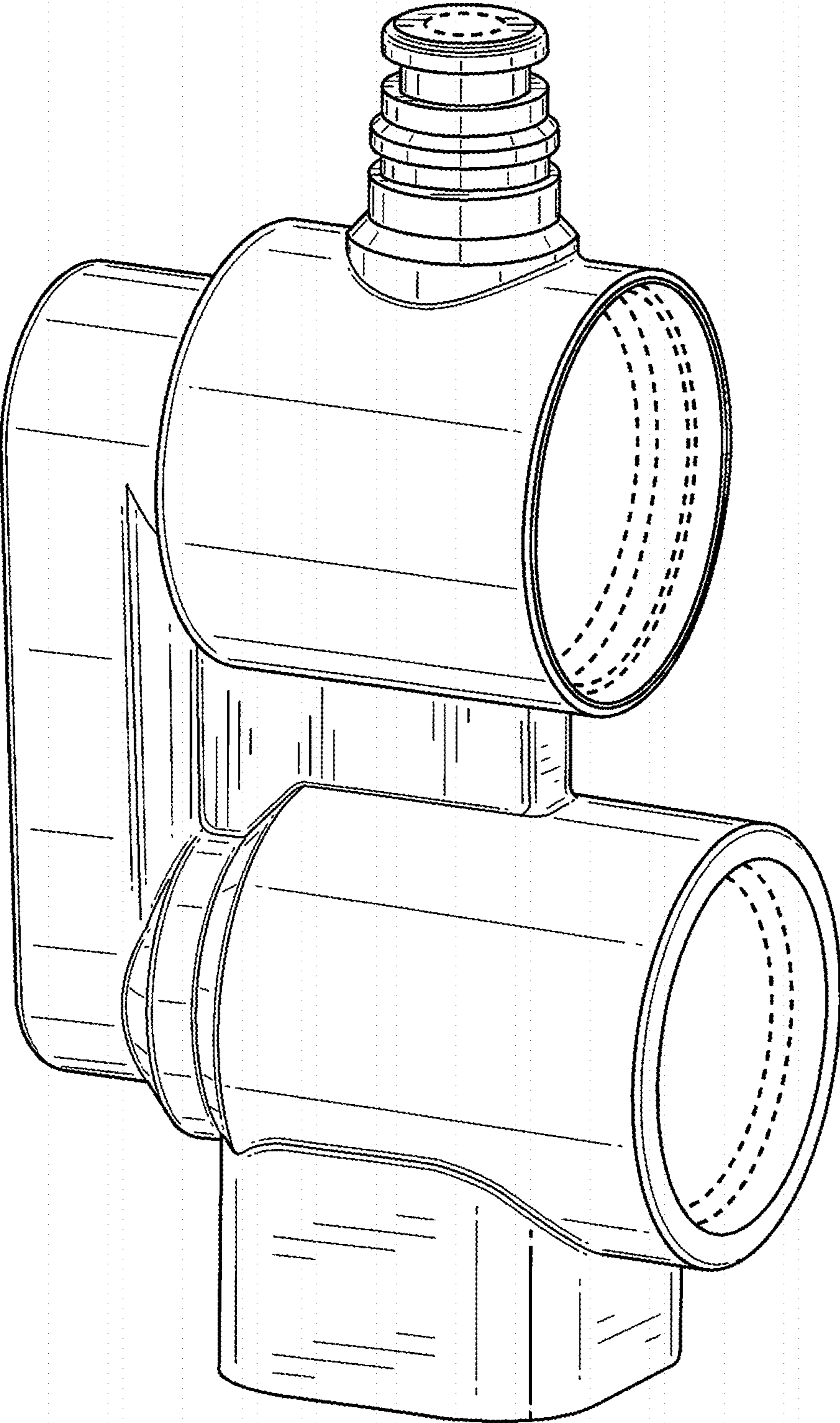


FIG. 1

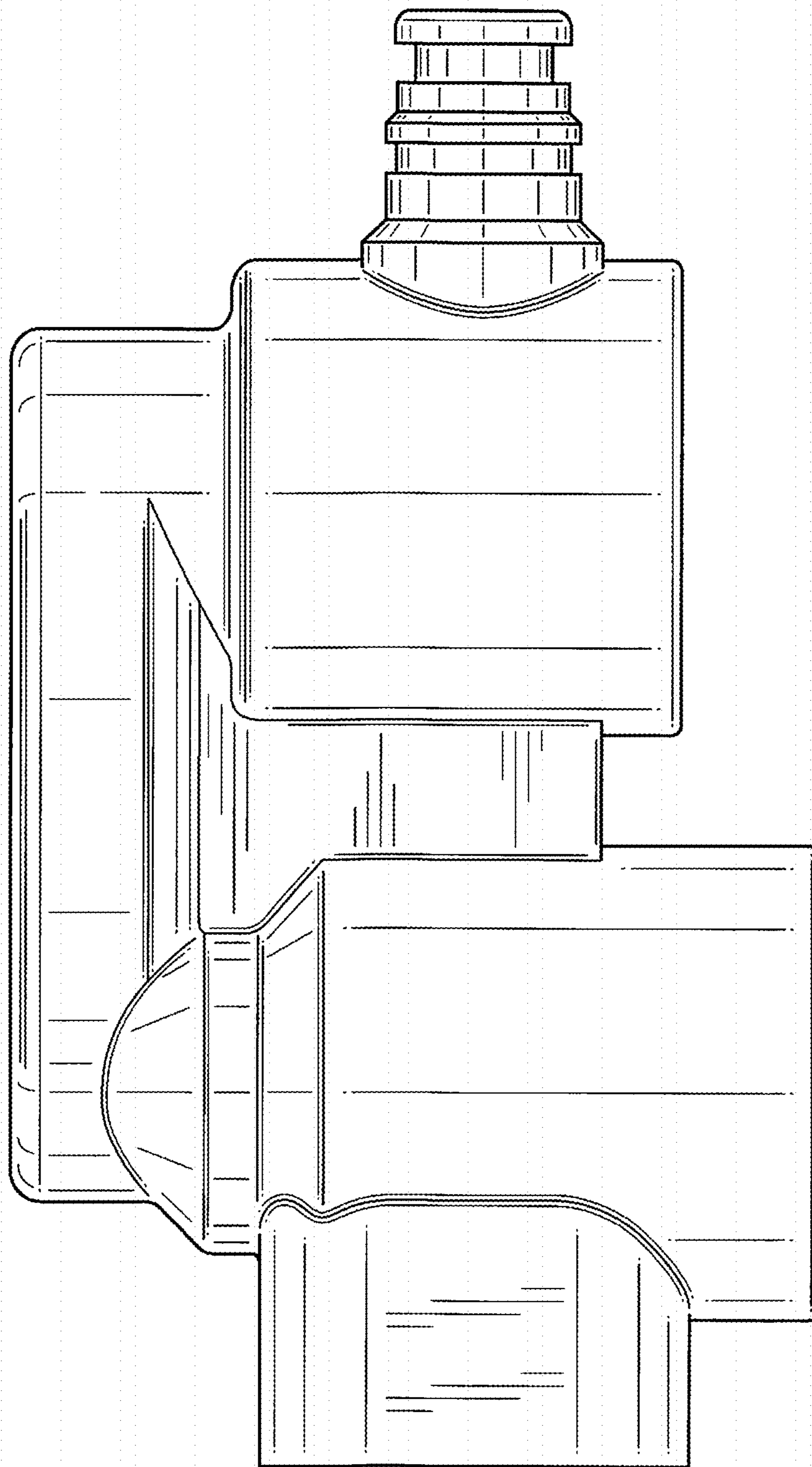


FIG. 2



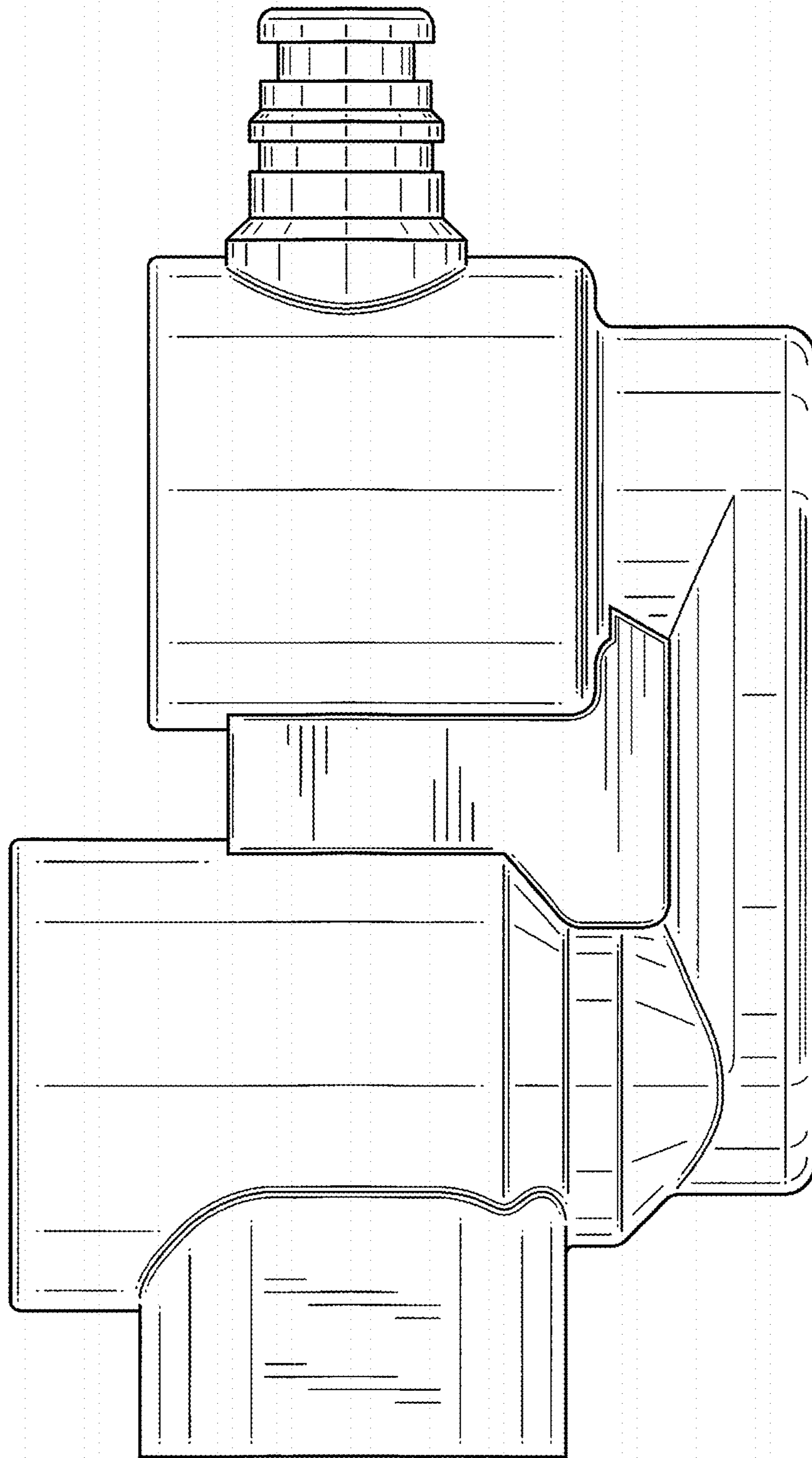


FIG. 3

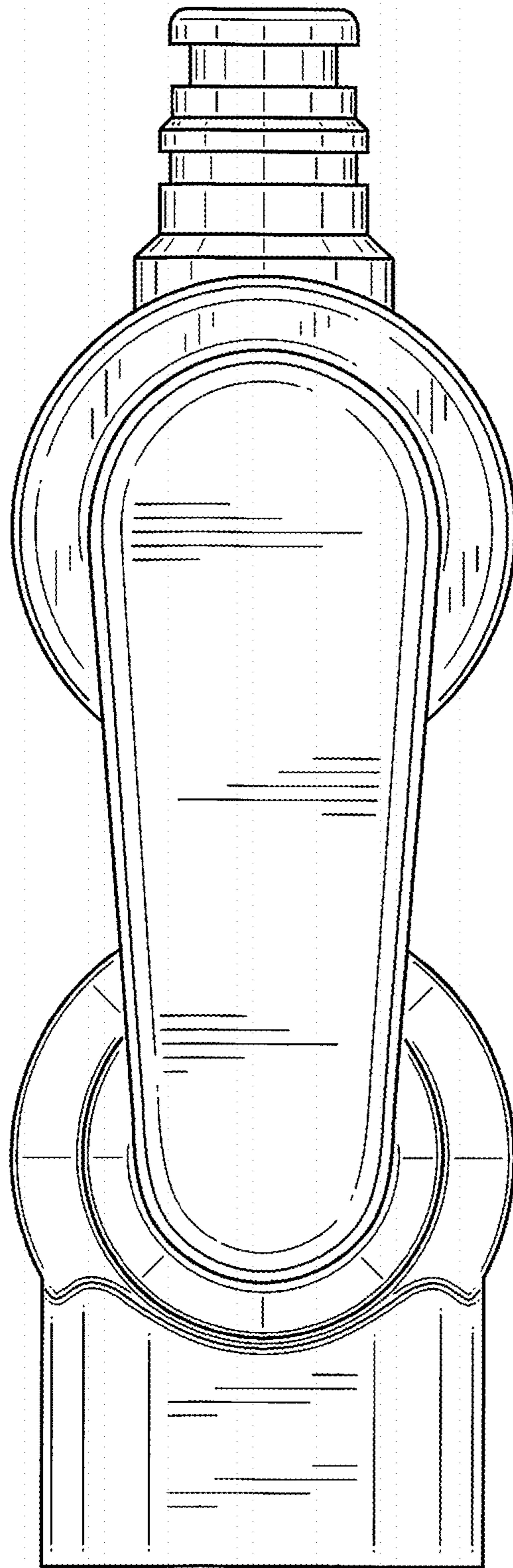


FIG. 4

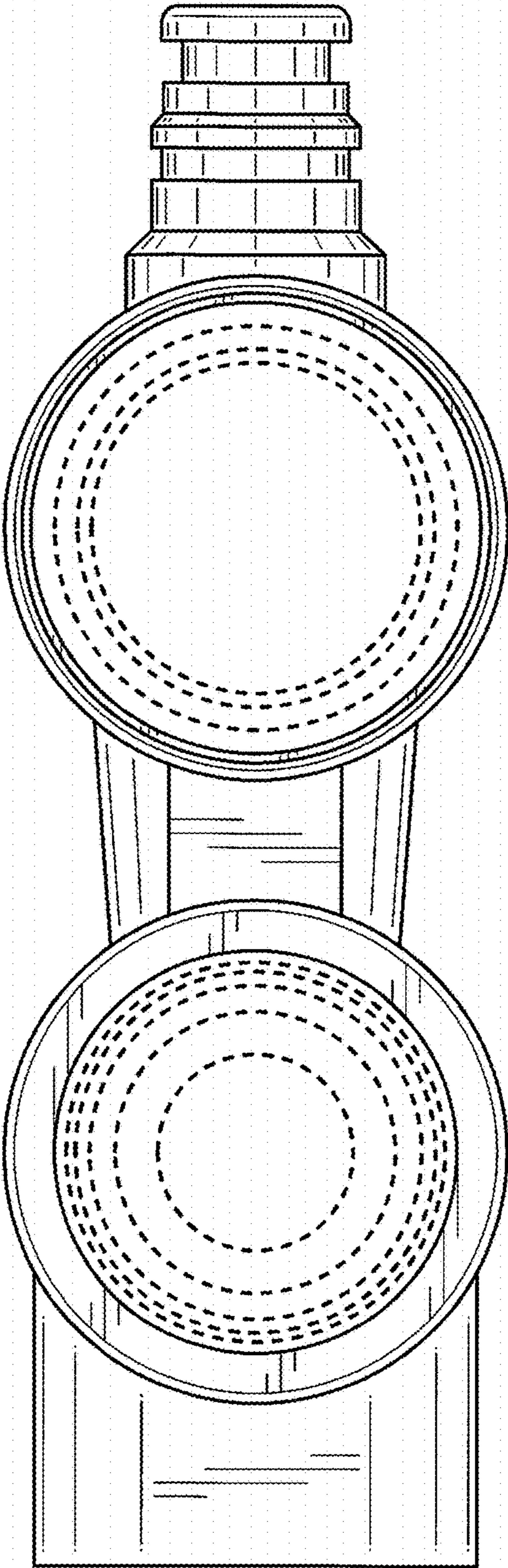


FIG. 5

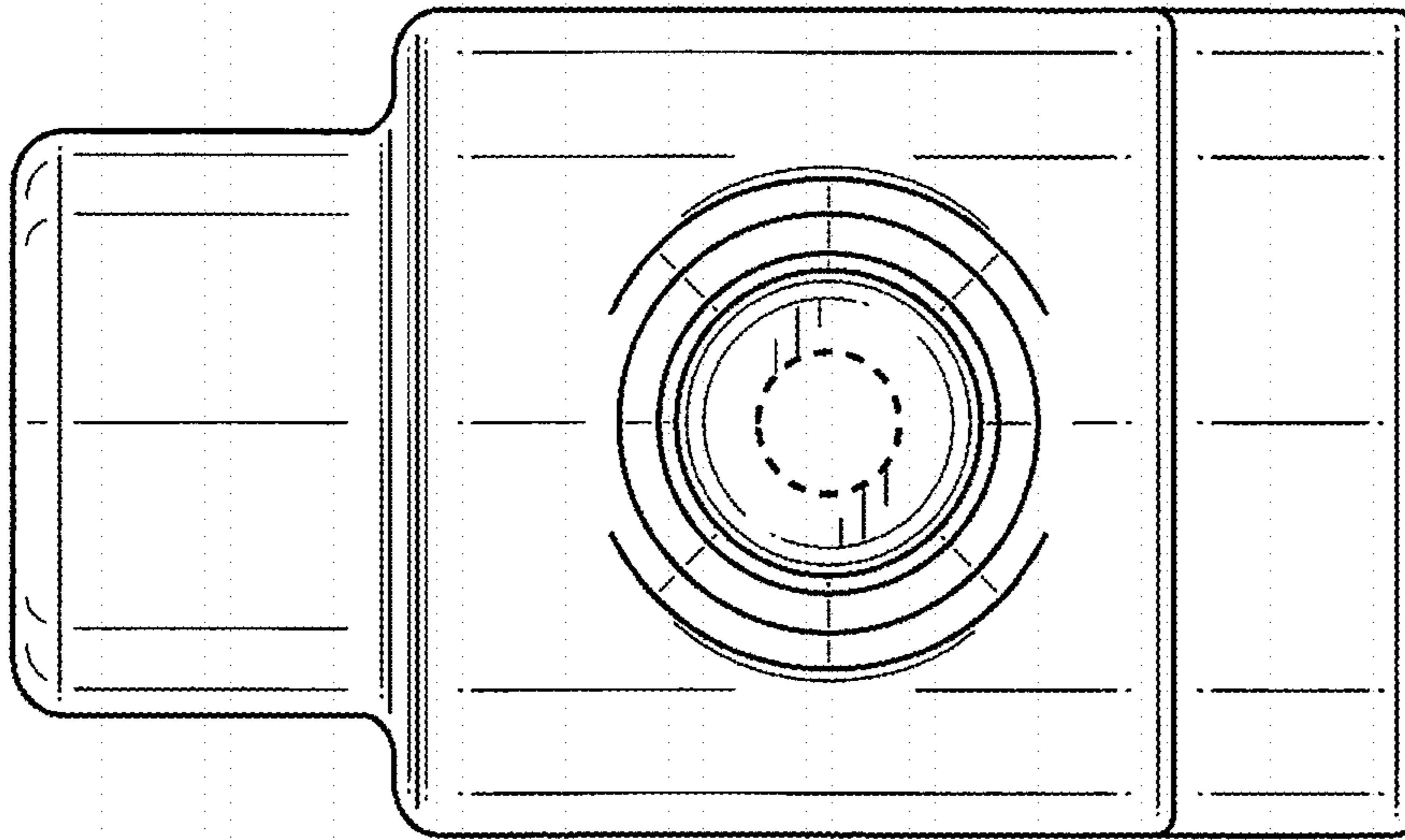


FIG. 6

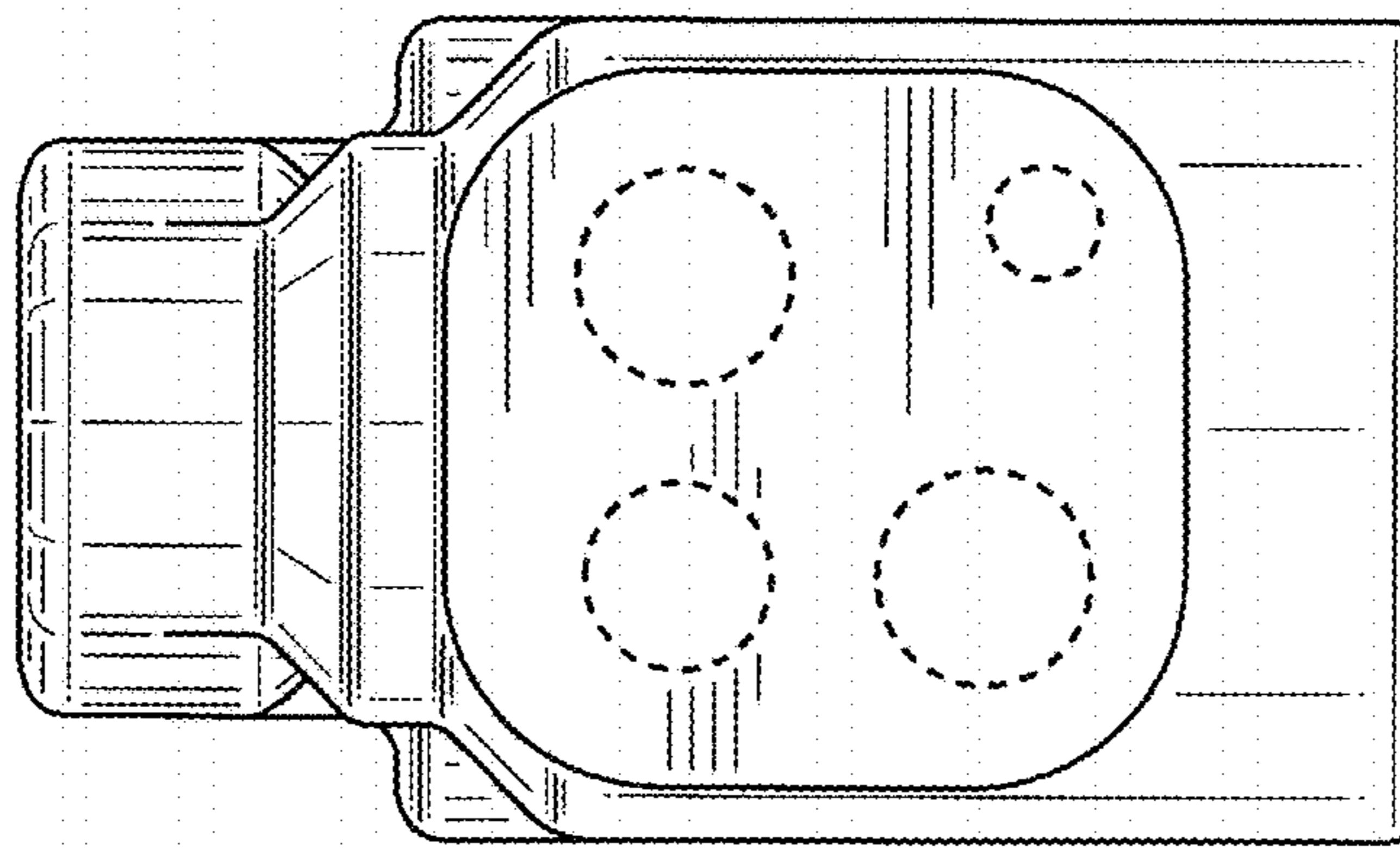


FIG. 7