



US00D802097S

(12) **United States Design Patent**  
**Lin**

(10) **Patent No.:** **US D802,097 S**

(45) **Date of Patent:** **\*\* Nov. 7, 2017**

(54) **FAUCET**

(71) Applicant: **Wen-Tsung Lin**, Changhua (TW)

(72) Inventor: **Wen-Tsung Lin**, Changhua (TW)

(73) Assignee: **Hsue Sam Enterprise Co. Ltd.**,  
Changhua (TW)

(\*\*) Term: **15 Years**

(21) Appl. No.: **29/565,198**

(22) Filed: **May 18, 2016**

(51) **LOC (10) Cl.** ..... **23-01**

(52) **U.S. Cl.**  
USPC ..... **D23/238**

(58) **Field of Classification Search**  
USPC ..... D23/238, 241-243, 249, 255, 257  
CPC ..... E03C 2001/0414; E03C 2001/0415; E03C  
2001/0417; E03C 1/04; E03C 1/0404;  
E03C 1/0405; Y10T 137/9464  
See application file for complete search history.

(56) **References Cited**

**U.S. PATENT DOCUMENTS**

D381,066 S \* 7/1997 Hill ..... D23/238  
D405,871 S \* 2/1999 Pitsch ..... D23/252

D406,322 S \* 3/1999 Pitsch ..... D23/252  
D421,094 S \* 2/2000 Green ..... D23/238  
D441,428 S \* 5/2001 Donell ..... D23/238  
D460,149 S \* 7/2002 Ouyoung ..... D23/238  
D460,151 S \* 7/2002 Green ..... D23/238  
D463,846 S \* 10/2002 Ko ..... D23/238  
D478,148 S \* 8/2003 Ouyoung ..... D23/238  
D480,784 S \* 10/2003 Hunt ..... D23/238  
D480,785 S \* 10/2003 Hunt ..... D23/238  
D534,988 S \* 1/2007 Yang ..... D23/238  
D720,049 S \* 12/2014 Lin ..... D23/238

\* cited by examiner

*Primary Examiner* — Robert A Delehanty

(74) *Attorney, Agent, or Firm* — Che-Yang Chen; Law  
Offices of Scott Warmuth

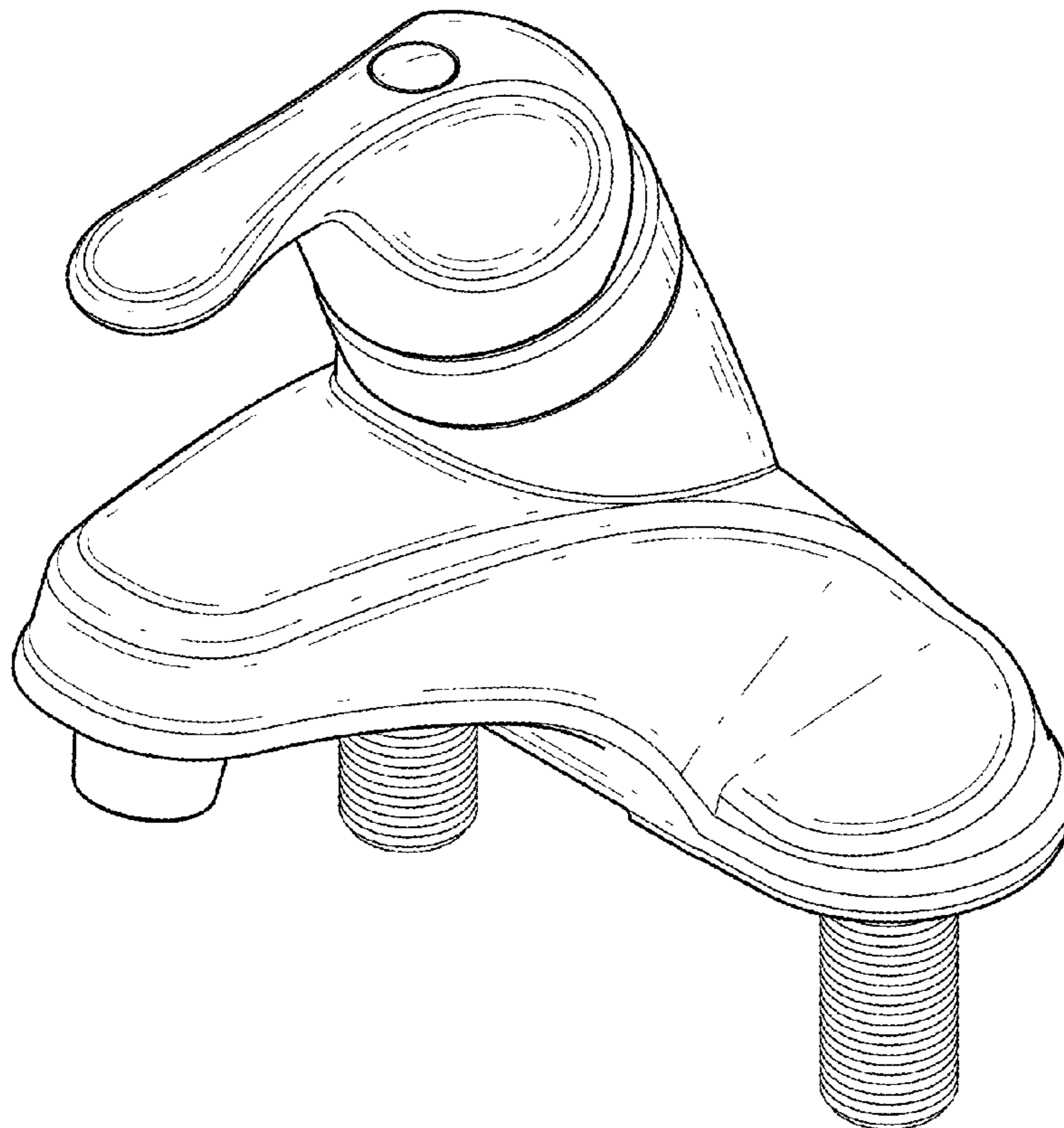
(57) **CLAIM**

The ornamental design for a faucet, as shown and described.

**DESCRIPTION**

FIG. 1 is a perspective view of a faucet, showing my new design;  
FIG. 2 is a front elevational view thereof;  
FIG. 3 is a rear elevational view thereof;  
FIG. 4 is a left side elevational view thereof;  
FIG. 5 is a right side elevational view thereof;  
FIG. 6 is a top plan view thereof; and,  
FIG. 7 is a bottom plan view thereof.

**1 Claim, 4 Drawing Sheets**



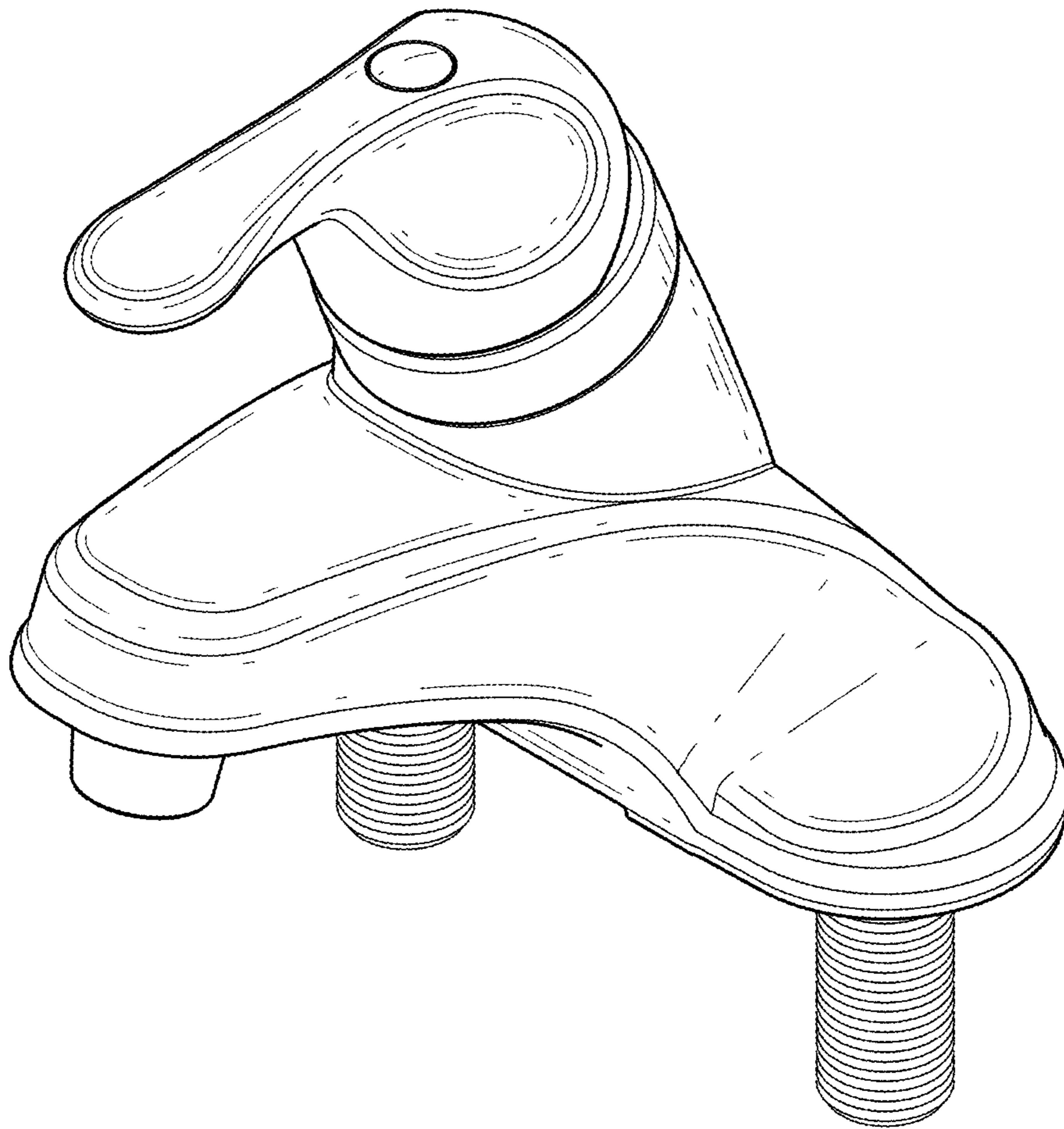


FIG. 1

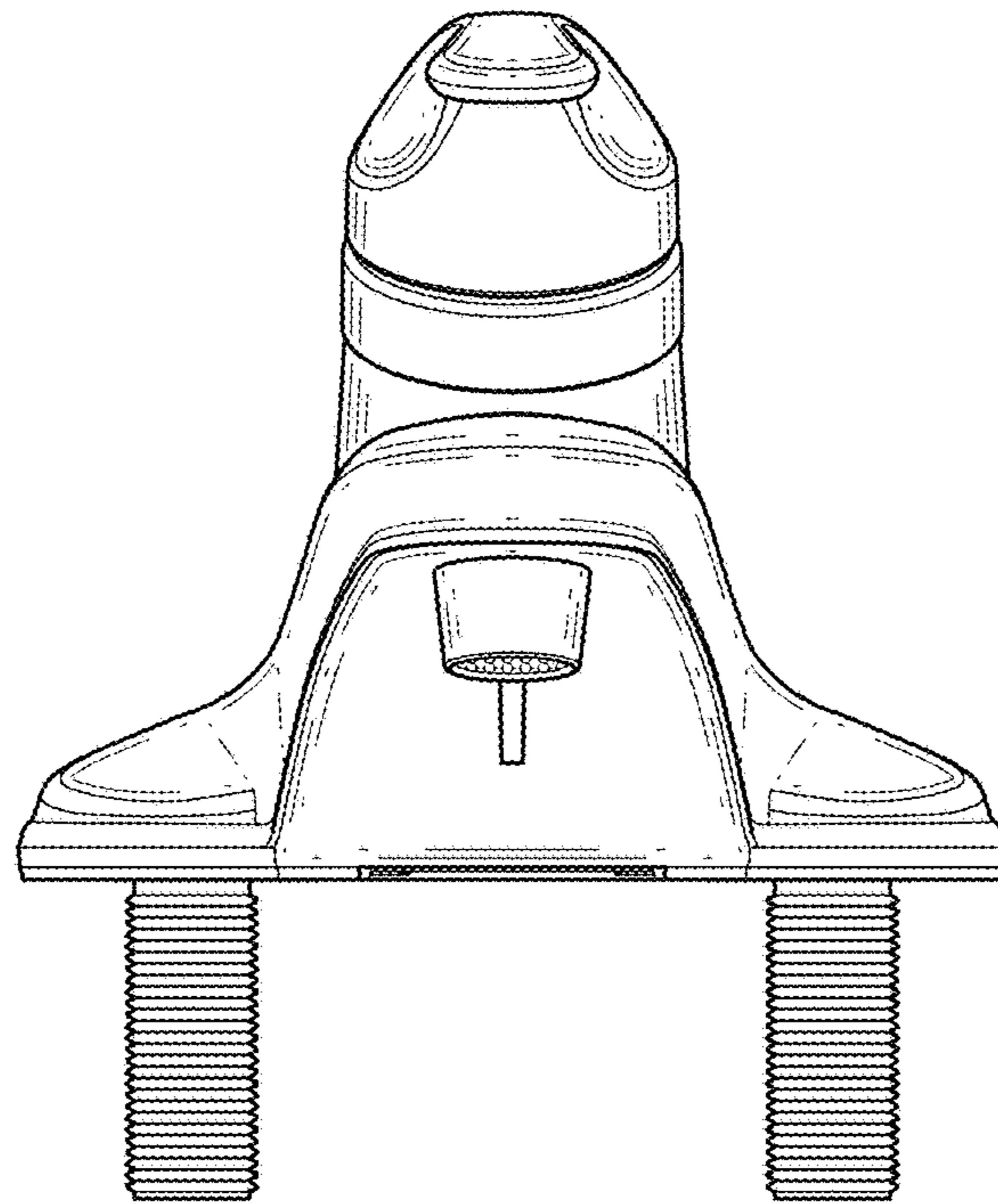


FIG. 2

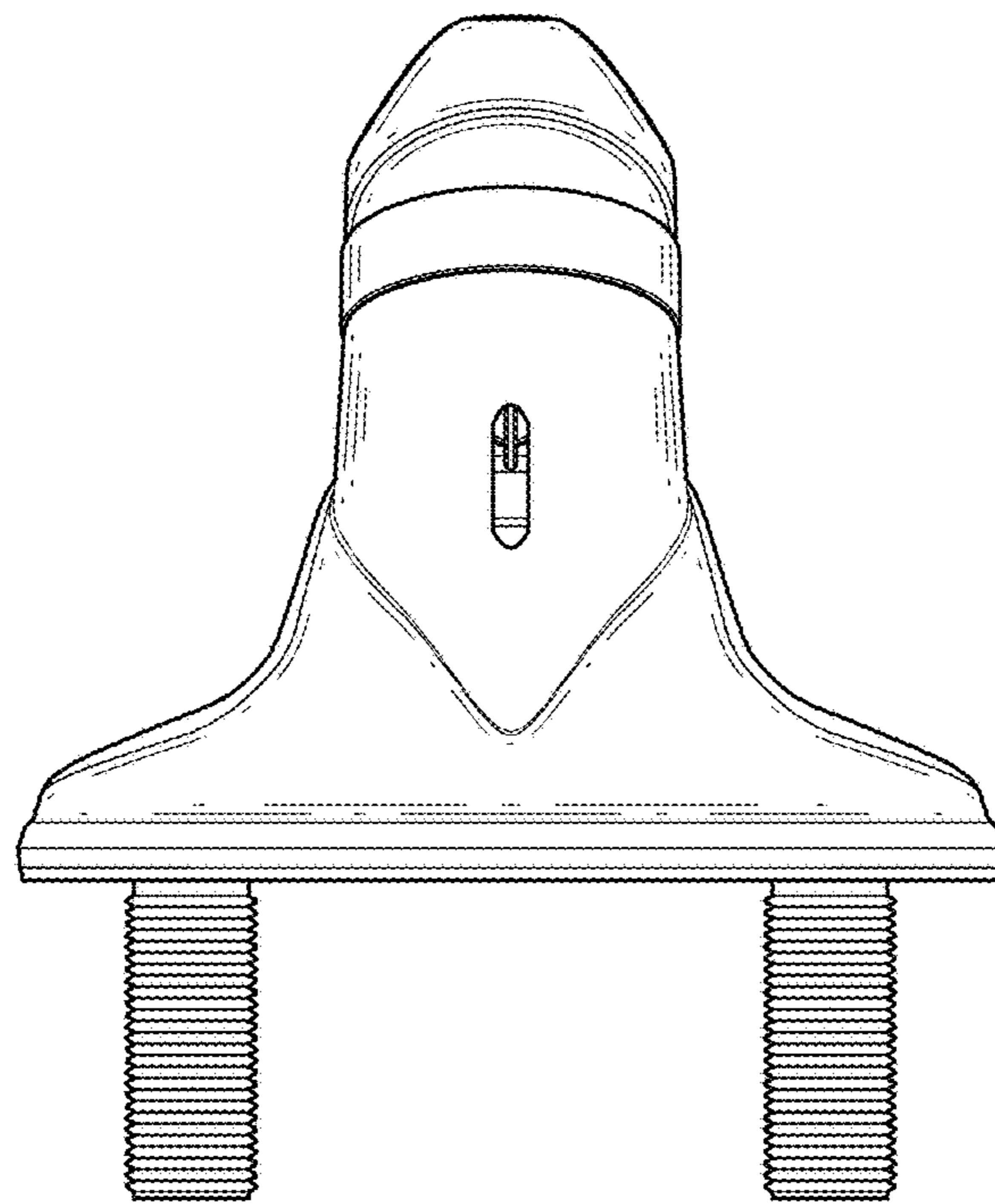


FIG. 3

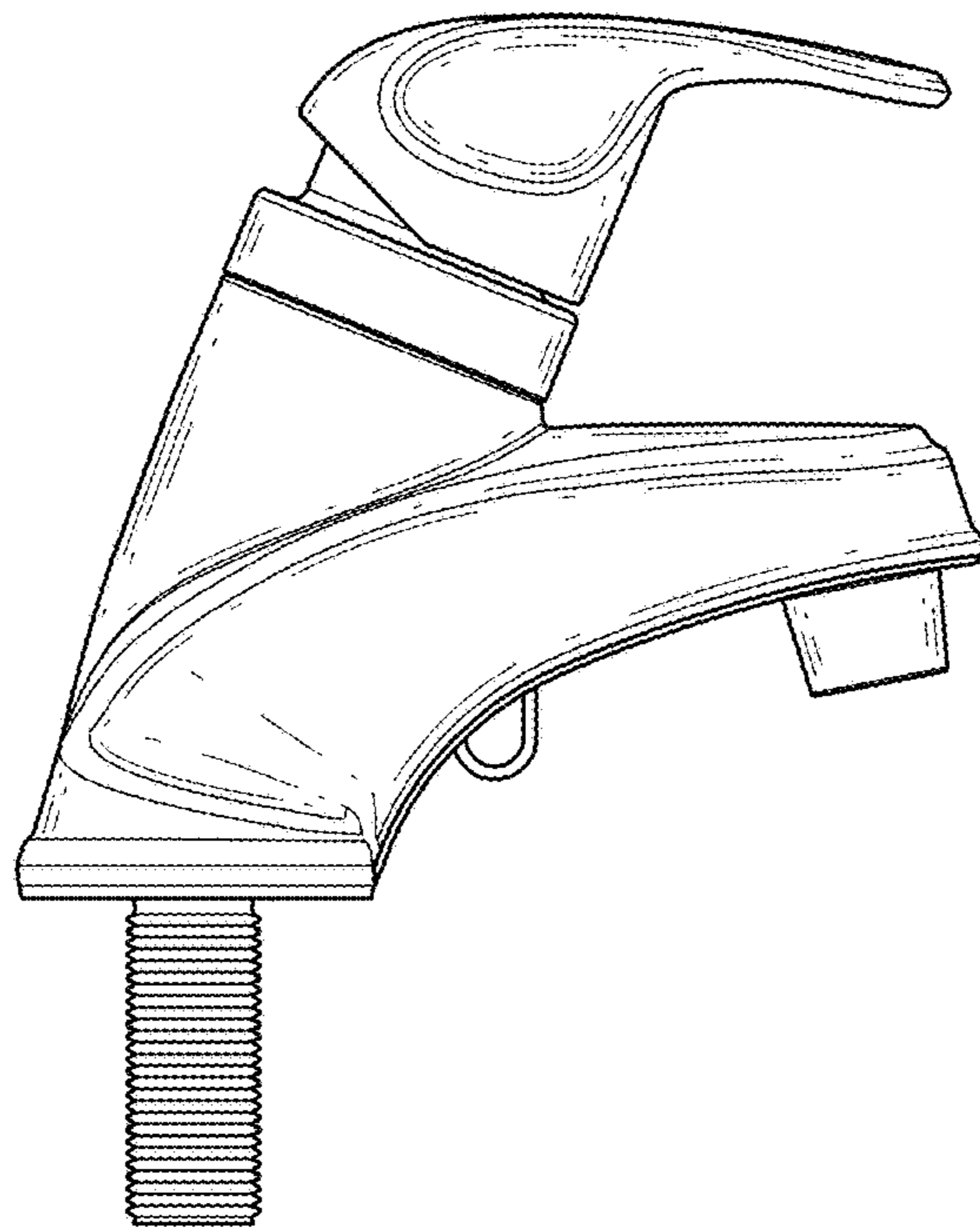


FIG. 4

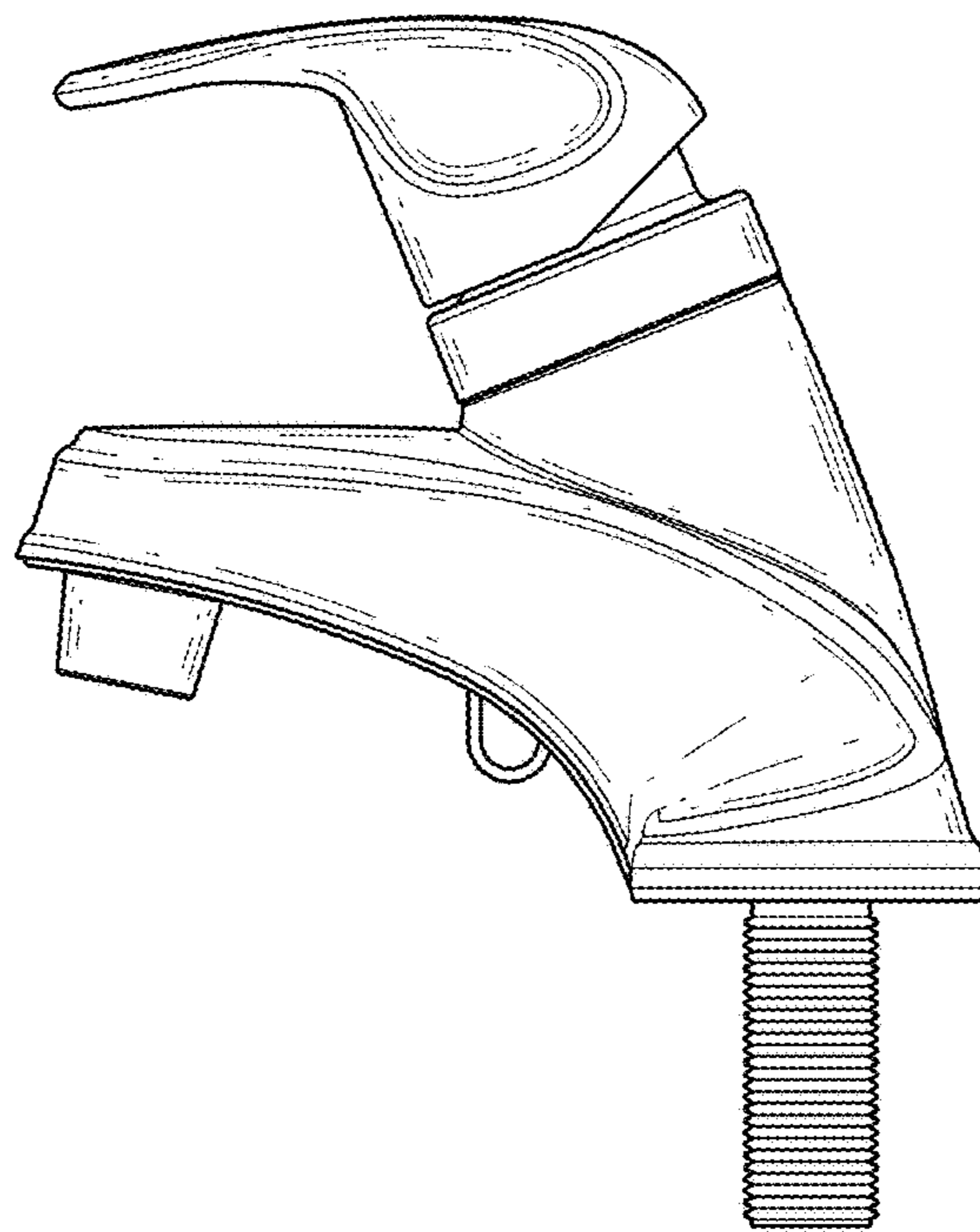


FIG. 5

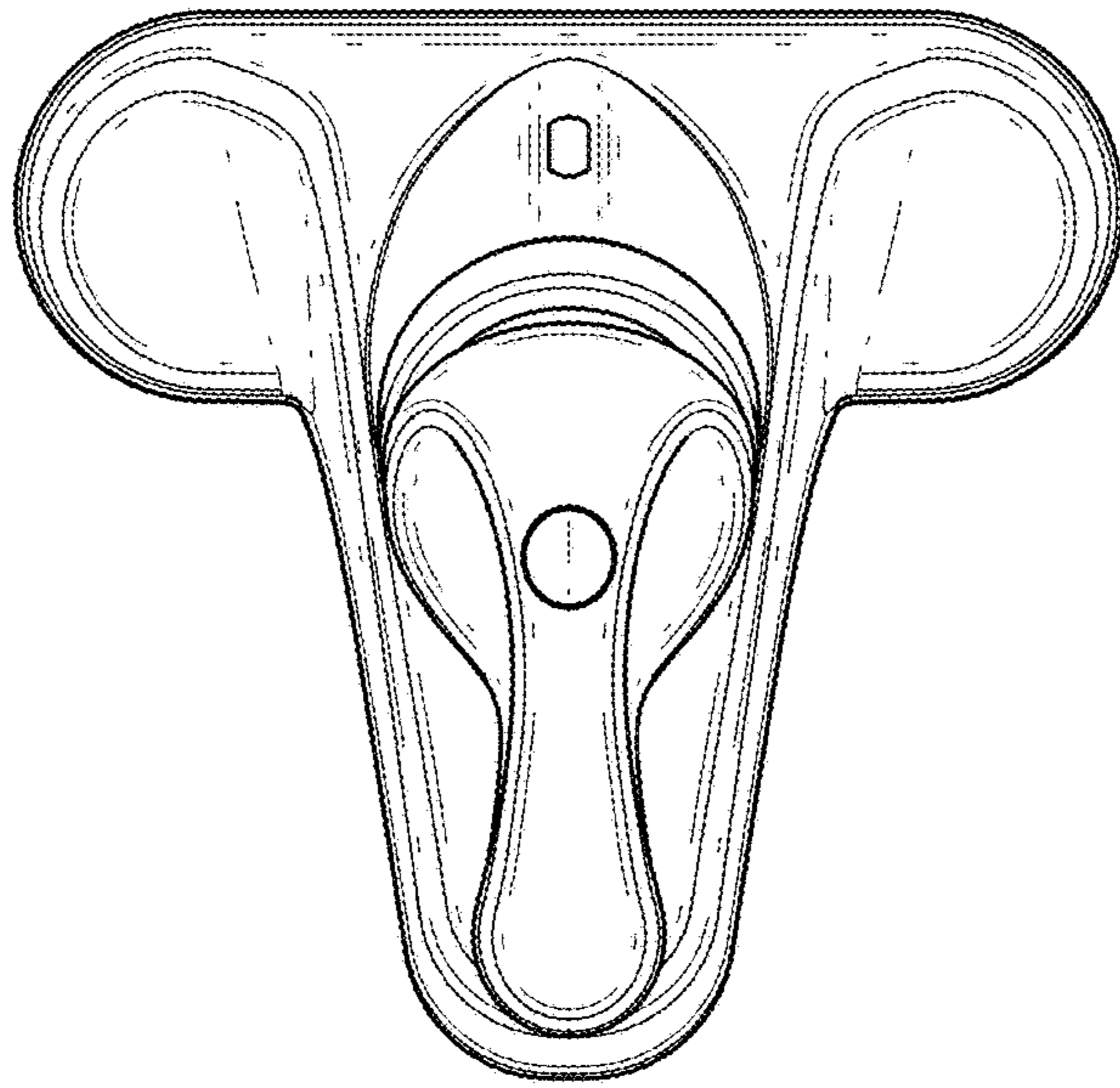


FIG. 6

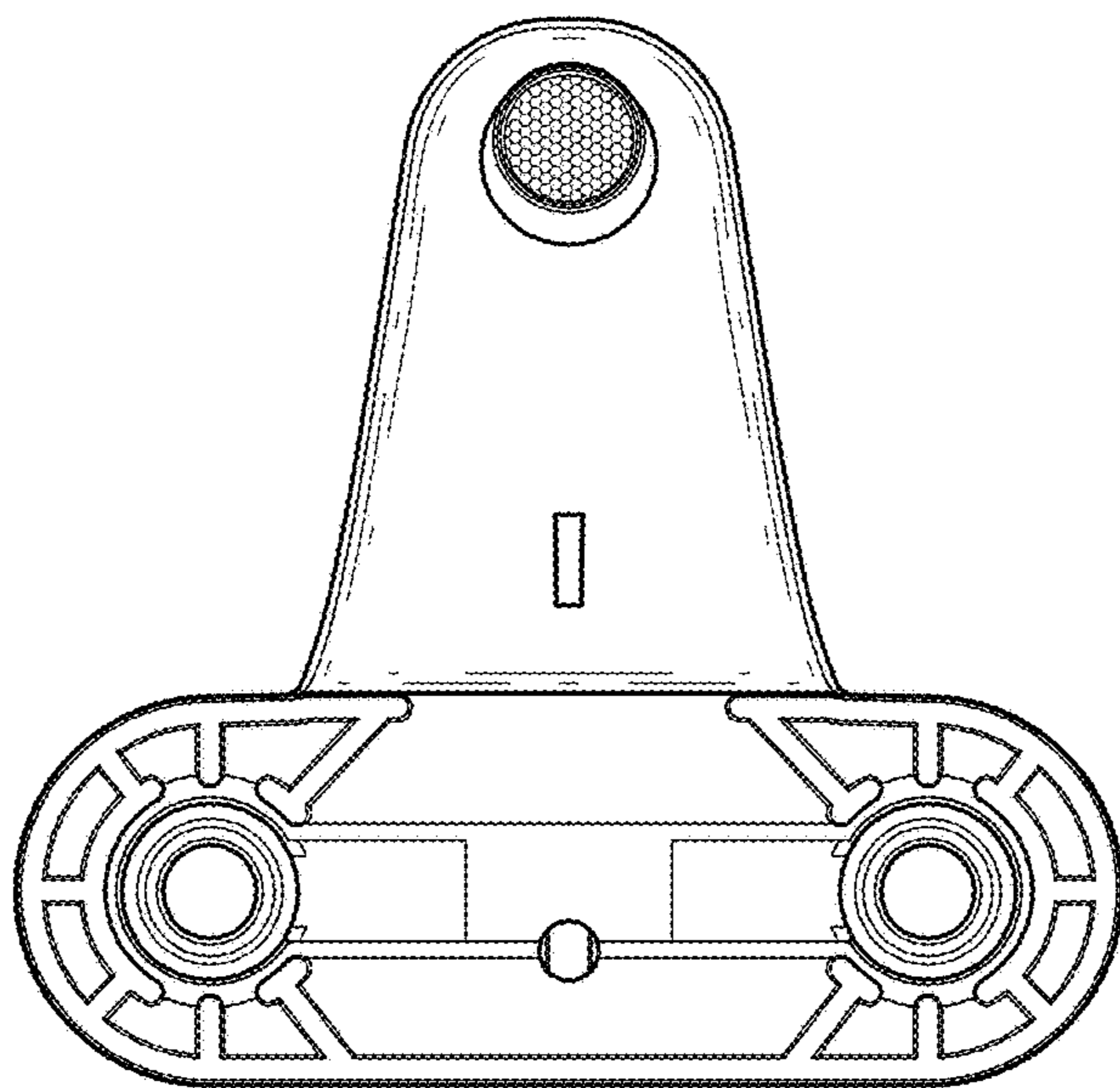


FIG. 7