



US00D802096S

(12) **United States Design Patent** (10) **Patent No.:** **US D802,096 S**
Downey (45) **Date of Patent:** **** Nov. 7, 2017**

(54) **FAUCET**

D581,498 S 11/2008 Dolan
D610,653 S * 2/2010 Schoenherr D23/238
D754,821 S * 4/2016 Bahler D23/238

(71) Applicant: **Spectrum Brands, Inc.**, Middleton, WI (US)

FOREIGN PATENT DOCUMENTS

(72) Inventor: **David Downey**, Mission Viejo, CA (US)

CA 93675 S 10/2001
CA 102885 S 6/2004
CA 140427 S 12/2011
CN 301660913 8/2011
CN 301660916 8/2011
KR 300784944.0000 2/2015

(73) Assignee: **Spectrum Brands, Inc.**, Middleton, WI (US)

(**) Term: **15 Years**

* cited by examiner

(21) Appl. No.: **29/558,331**

Primary Examiner — Robert A Delehanty
(74) *Attorney, Agent, or Firm* — Banner & Witcoff, Ltd.

(22) Filed: **Mar. 16, 2016**

(57) **CLAIM**

(51) **LOC (10) Cl.** **23-01**

The ornamental design for a faucet, as shown and described.

(52) **U.S. Cl.**

DESCRIPTION

USPC **D23/238**

(58) **Field of Classification Search**

USPC D23/238-243, 249, 250, 252, 255, 257
CPC E03C 1/0404; E03C 1/0409; E03C 1/02;
E03C 1/023; E03C 1/05; E03C 1/04;
E03C 1/0412; G05D 7/0629; Y10T
137/9464

See application file for complete search history.

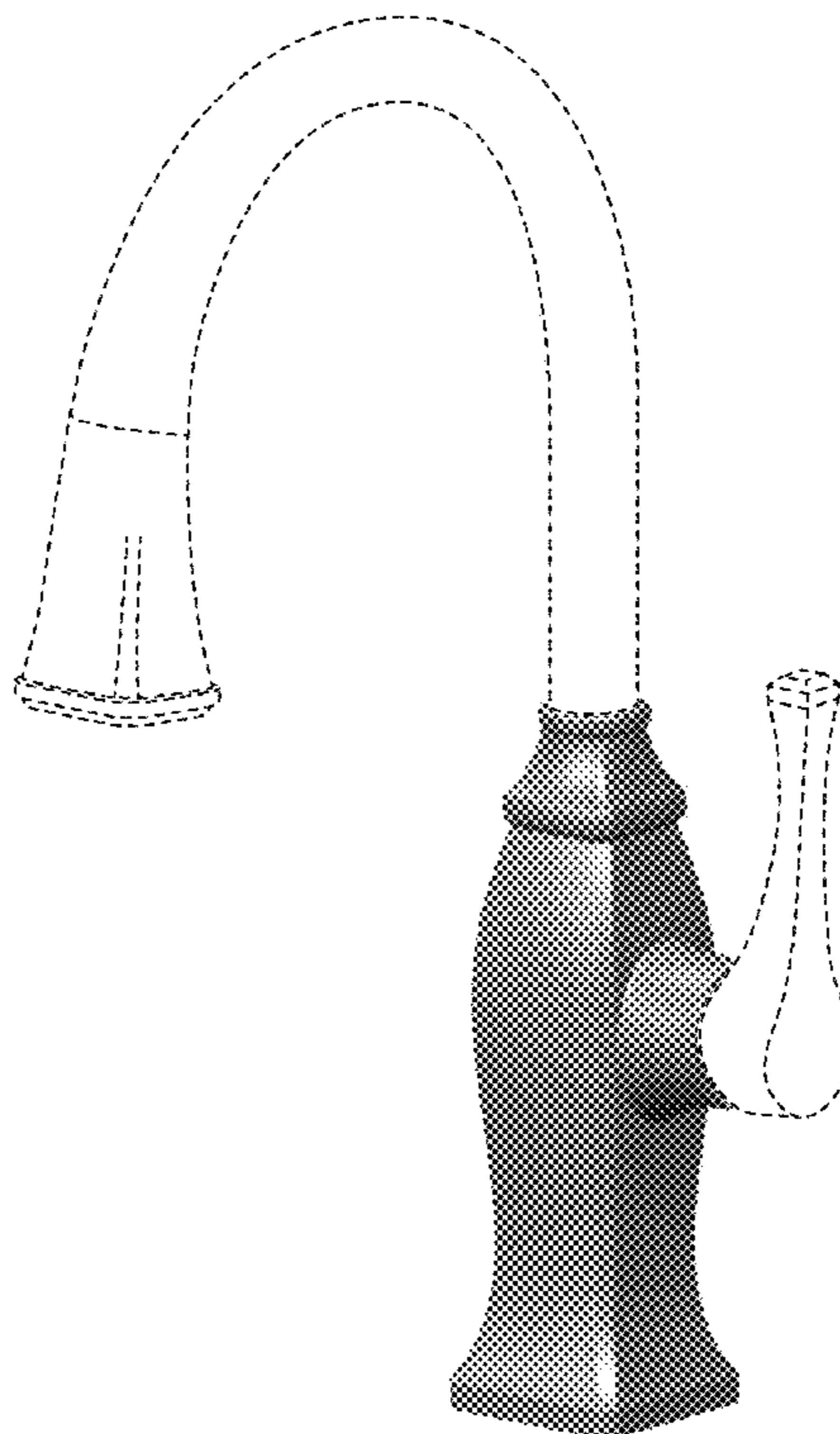
FIG. 1 is a front perspective view of a faucet showing my new design;
FIG. 2 is a front view thereof;
FIG. 3 is a rear view thereof;
FIG. 4 is a right side view thereof;
FIG. 5 is a left side view thereof;
FIG. 6 is a top plan view thereof; and,
FIG. 7 is a bottom plan view thereof.
The broken line showing of the interior portion of the base in FIG. 7 and the remainder of the faucet is for environmental purposes only and forms no part of the claimed design.

(56) **References Cited**

U.S. PATENT DOCUMENTS

D503,777 S 4/2005 Costello et al.
D510,415 S 10/2005 Graves et al.
D574,469 S 8/2008 Soriano

1 Claim, 5 Drawing Sheets



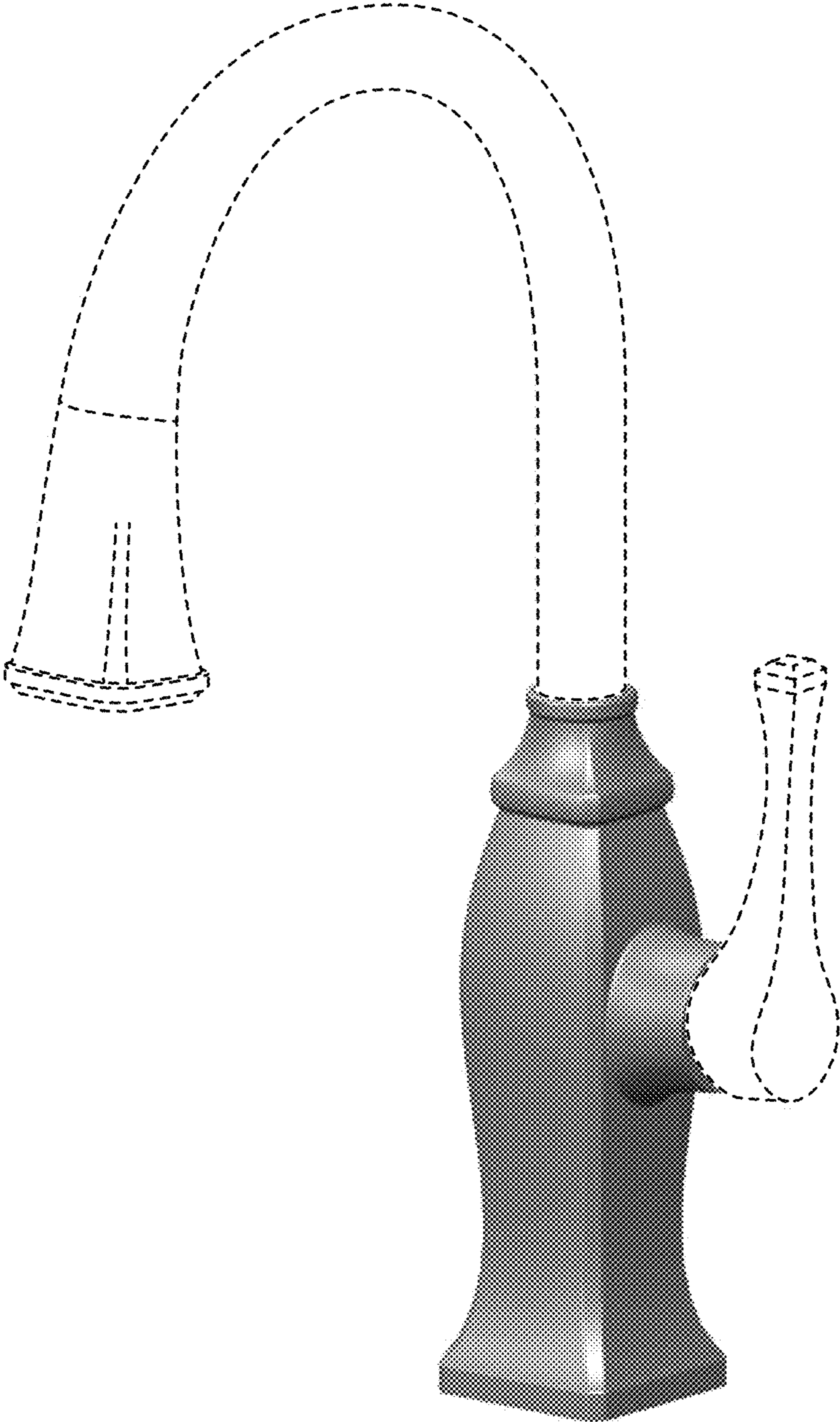


FIG. 1

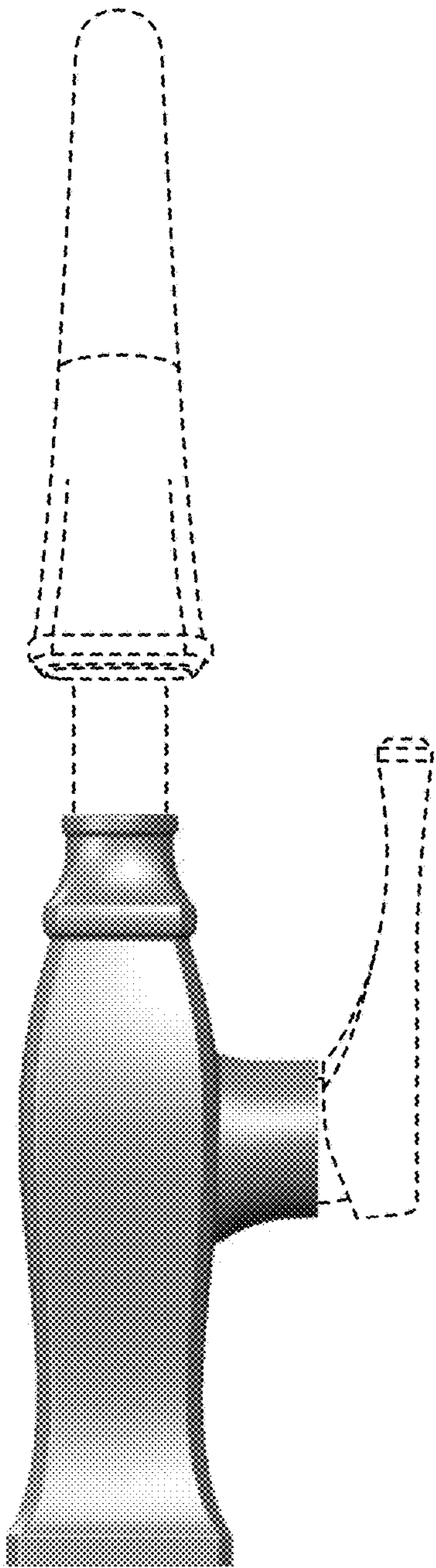


FIG. 2

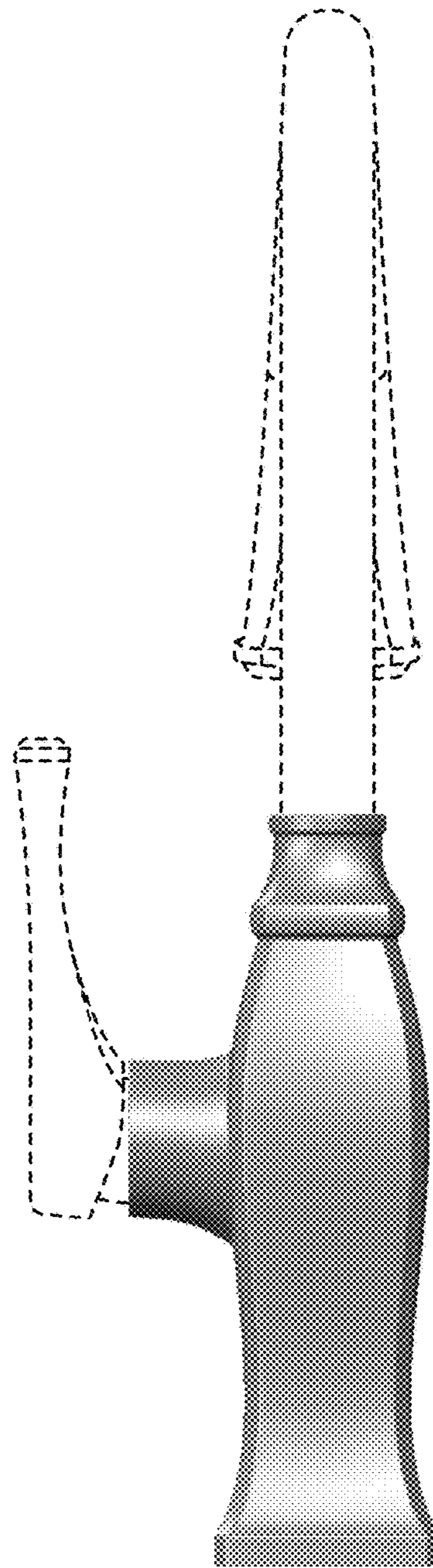


FIG. 3

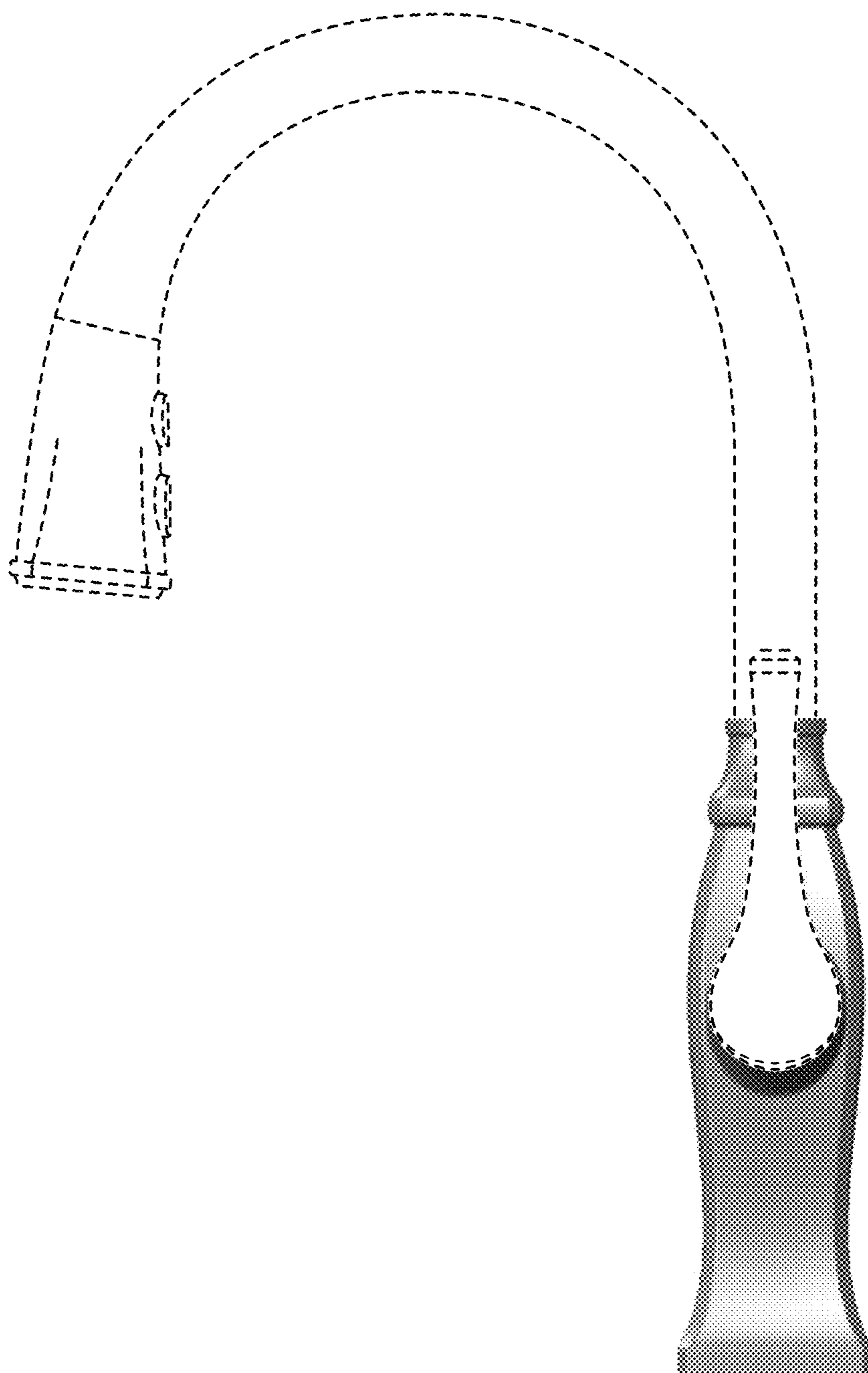


FIG. 4

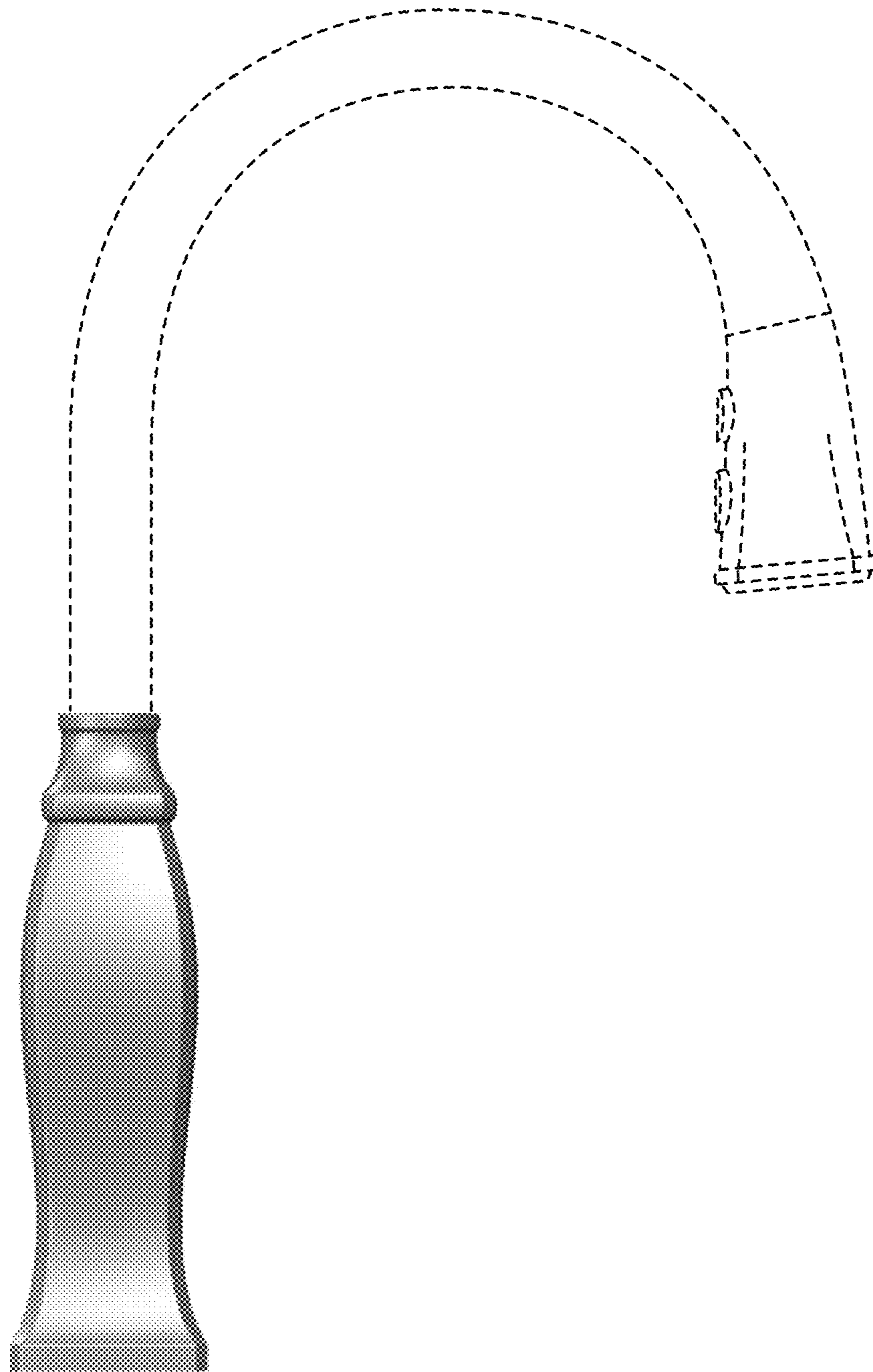


FIG. 5

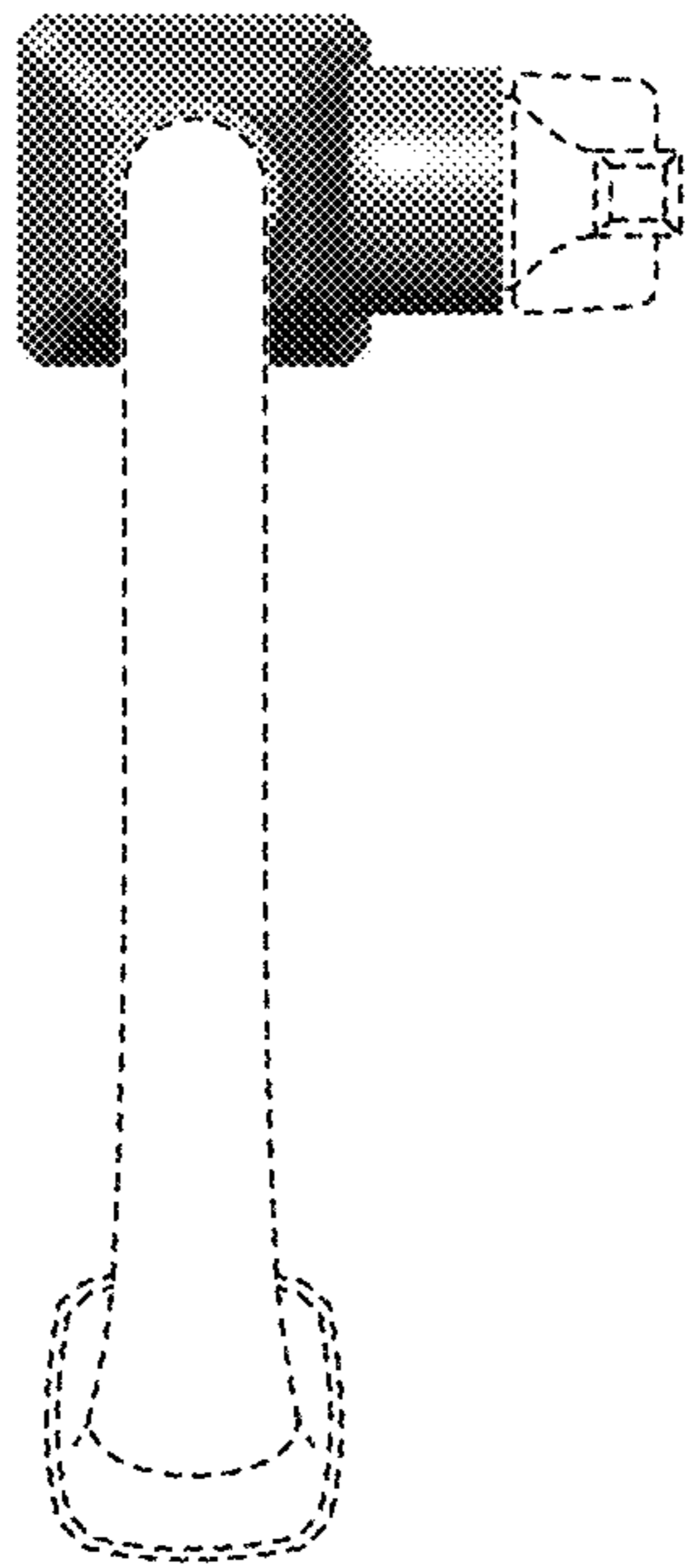


FIG. 6

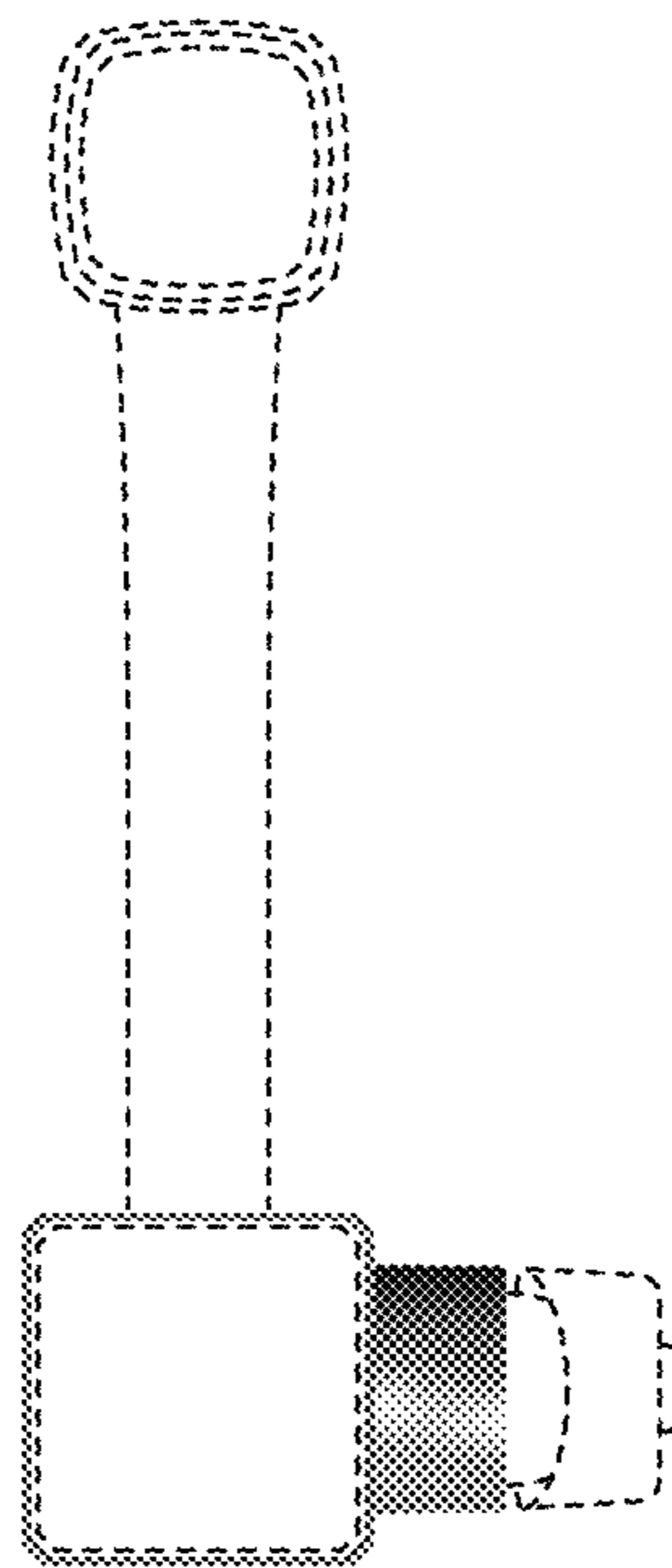


FIG. 7