



US00D802094S

(12) **United States Design Patent**
Fell

(10) **Patent No.:** **US D802,094 S**
(45) **Date of Patent:** **** Nov. 7, 2017**

(54) **FUEL NOZZLE COVER HAVING A DISPLAY AREA**

(71) Applicant: **M & M Displays, Inc.**, Philadelphia, PA (US)
(72) Inventor: **Michael J. Fell**, Philadelphia, PA (US)
(73) Assignee: **M & M Displays, Inc.**, Philadelphia, PA (US)

(**) Term: **15 Years**

(21) Appl. No.: **29/570,377**

(22) Filed: **Jul. 7, 2016**

(51) **LOC (10) Cl.** **23-01**

(52) **U.S. Cl.**
USPC **D23/227**

(58) **Field of Classification Search**
USPC D23/213, 226, 227; 141/392, 97, 98;
137/377, 379

(Continued)

(56) **References Cited**

U.S. PATENT DOCUMENTS

D173,007 S * 9/1954 Anderson 74/566
D177,648 S * 5/1956 Sinclair et al. D23/227

(Continued)

Primary Examiner — Robin V Webster

(74) *Attorney, Agent, or Firm* — Volpe and Koenig, P.C.

(57) **CLAIM**

The ornamental design for a fuel nozzle cover having a display area, as shown and described.

DESCRIPTION

FIG. 1 is a perspective view of a first embodiment of my fuel nozzle cover having a display area;
FIG. 2 is a left side view of the fuel nozzle cover having a display area in FIG. 1;

FIG. 3 is a right side view of the fuel nozzle cover having a display area in FIG. 1;
FIG. 4 is a rear view of the fuel nozzle cover having a display area in FIG. 1;
FIG. 5 is a front view of the fuel nozzle cover having a display area in FIG. 1;
FIG. 6 is a bottom view of the fuel nozzle cover having a display area in FIG. 1;
FIG. 7 is a top view of the fuel nozzle cover having a display area in FIG. 1; and,
FIG. 8 is a section view of the fuel nozzle cover having a display area in FIG. 1 along the line 8-8 in FIG. 4;
FIG. 9 is a perspective view of a second embodiment of my fuel nozzle cover having a display area;
FIG. 10 is a left side view of the fuel nozzle cover having a display area in FIG. 9;
FIG. 11 is a right side view of the fuel nozzle cover having a display area in FIG. 9;
FIG. 12 is a rear view of the fuel nozzle cover having a display area in FIG. 9;
FIG. 13 is a front view of the fuel nozzle cover having a display area in FIG. 9;
FIG. 14 is a bottom view of the fuel nozzle cover having a display area in FIG. 9;
FIG. 15 is a top view of the fuel nozzle cover having a display area in FIG. 9; and,
FIG. 16 is a section view of the fuel nozzle cover having a display area in FIG. 9 along the line 16-16 in FIG. 12;
FIG. 17 is a perspective view of a third embodiment of my fuel nozzle cover having a display area;
FIG. 18 is a left side view of the fuel nozzle cover having a display area in FIG. 17;
FIG. 19 is a right side view of the fuel nozzle cover having a display area in FIG. 17;
FIG. 20 is a rear view of the fuel nozzle cover having a display area in FIG. 17;
FIG. 21 is a front view of the fuel nozzle cover having a display area in FIG. 17;
FIG. 22 is a bottom view of the fuel nozzle cover having a display area in FIG. 17;
FIG. 23 is a top view of the fuel nozzle cover having a display area in FIG. 17; and,

(Continued)

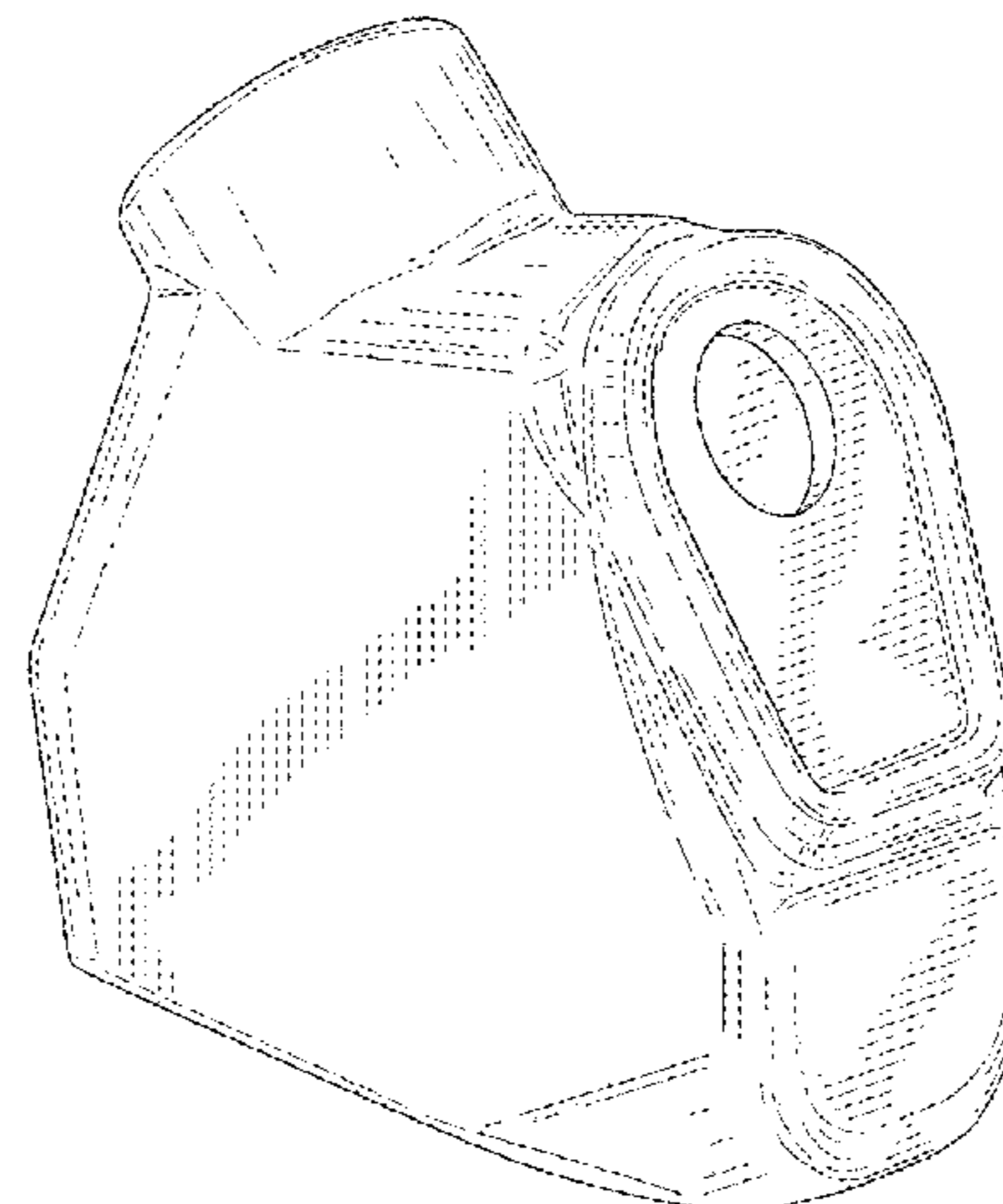
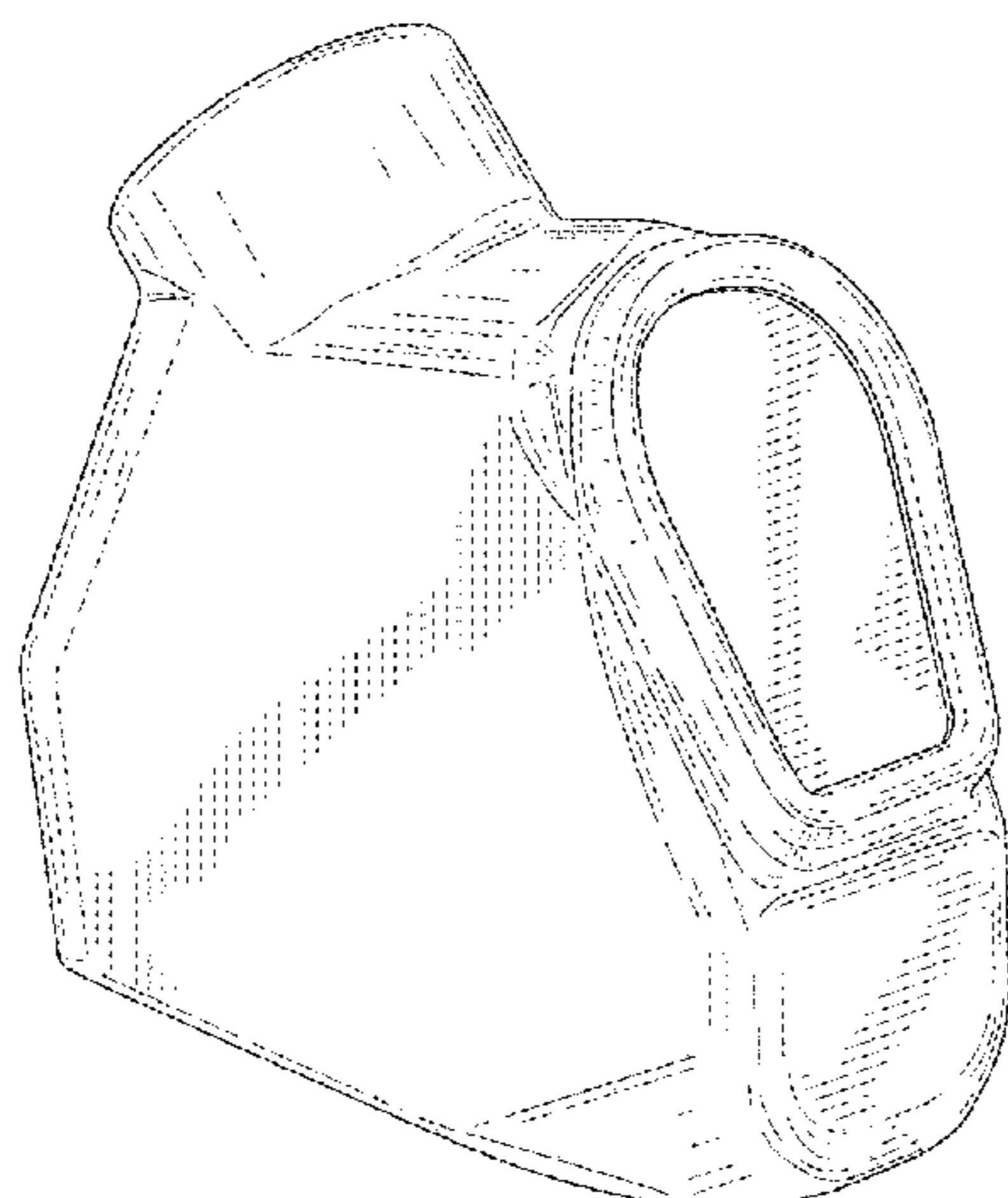


FIG. 24 is a section view of the fuel nozzle cover having a display area in FIG. 17 along the line 24-24 in FIG. 20.

1 Claim, 18 Drawing Sheets

(58) Field of Classification Search

CPC B67D 7/421; B67D 7/50; F16K 27/12
See application file for complete search history.

(56) References Cited

U.S. PATENT DOCUMENTS

| | | | | |
|-----------|-----|---------|-------------------|-----------------------|
| D223,915 | S * | 6/1972 | Brown et al. | D23/226 |
| 4,465,209 | A * | 8/1984 | Wilder | B67D 7/421 141/390 |
| 5,058,637 | A | 10/1991 | Fell | |
| 5,184,655 | A | 2/1993 | Fell | |
| D358,452 | S * | 5/1995 | Karrick | D23/227 |
| D366,310 | S * | 1/1996 | Fell | D23/227 |
| D389,559 | S * | 1/1998 | Alvern | D23/227 |
| 5,823,237 | A * | 10/1998 | Alvern | B67D 7/421 137/379 |
| D400,644 | S * | 11/1998 | Alvern | D23/227 |
| 5,860,462 | A * | 1/1999 | Alvern | B67D 7/421 137/379 |
| 5,865,340 | A * | 2/1999 | Alvern | B67D 7/421 141/98 |
| 6,061,942 | A * | 5/2000 | Alvern | B67D 7/426 141/98 |

* cited by examiner

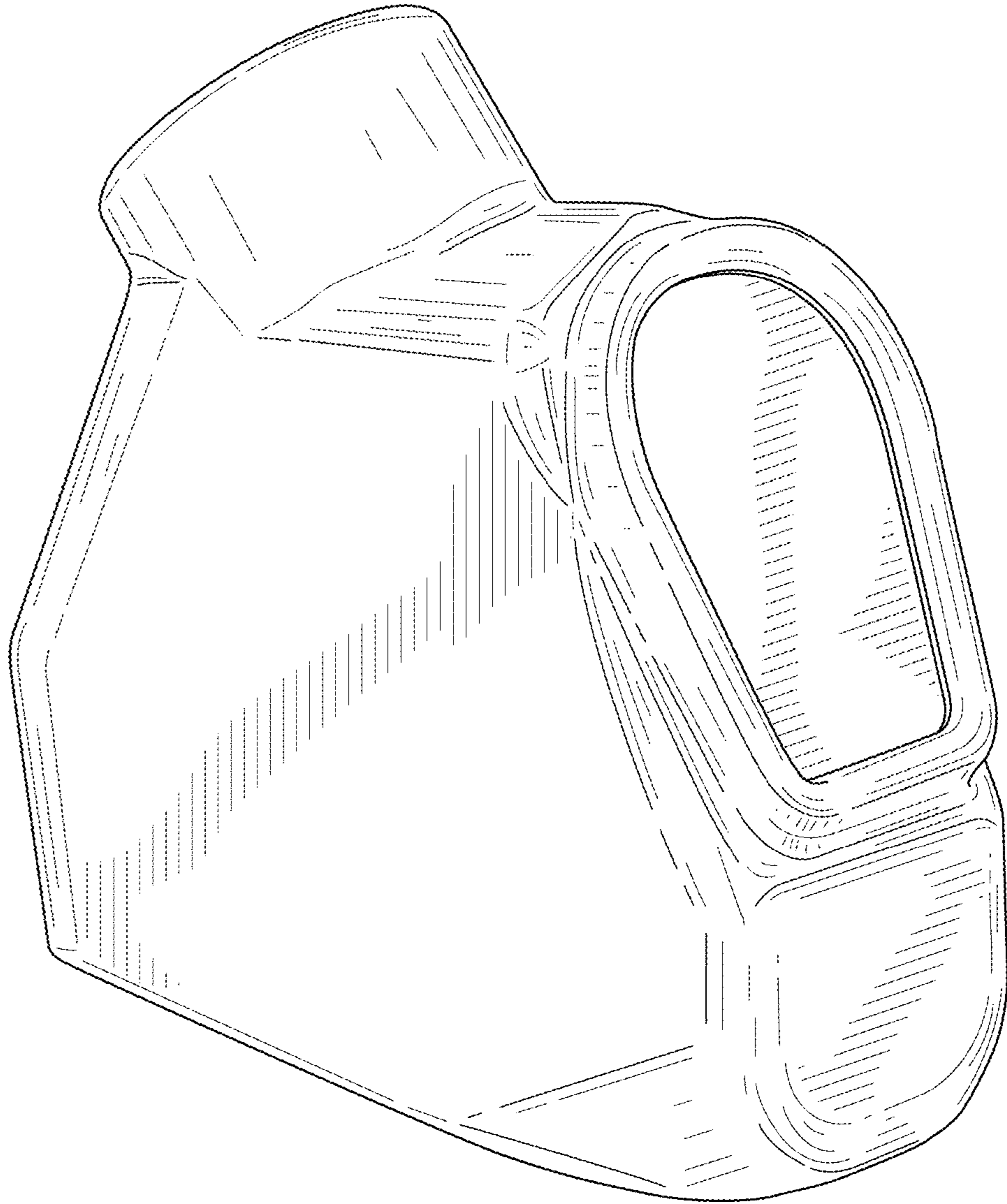


FIG. 1

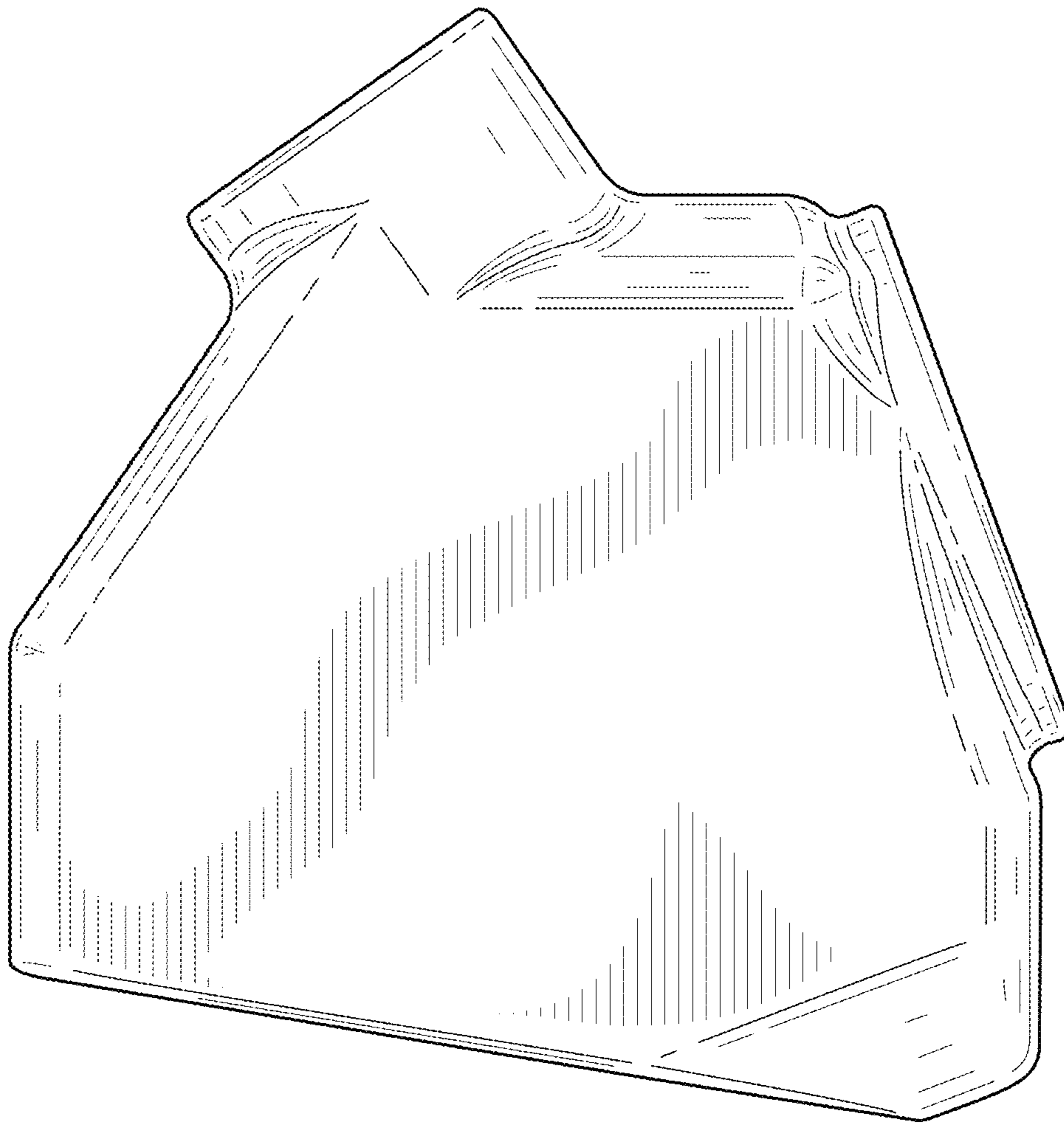


FIG. 2

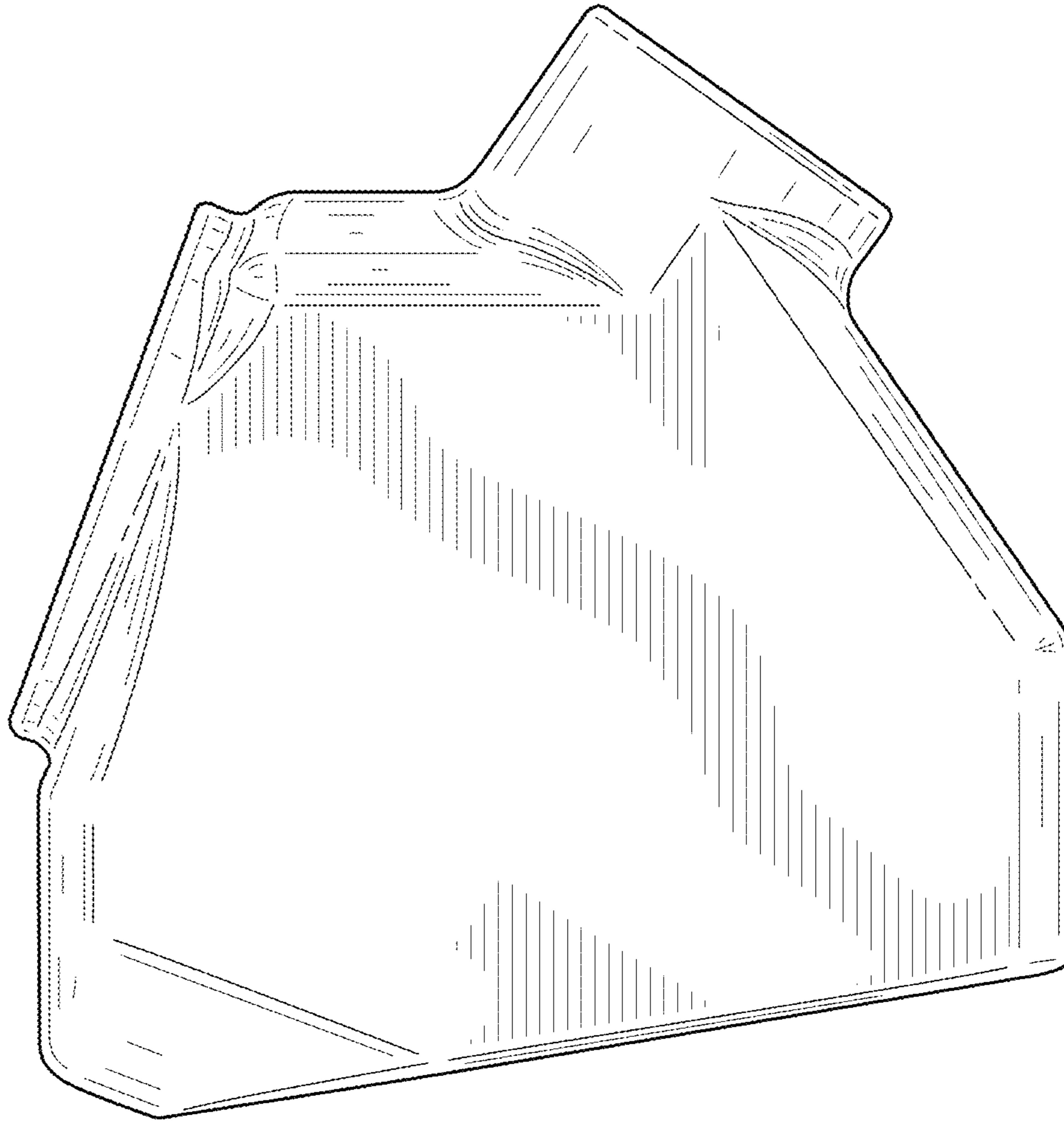


FIG. 3

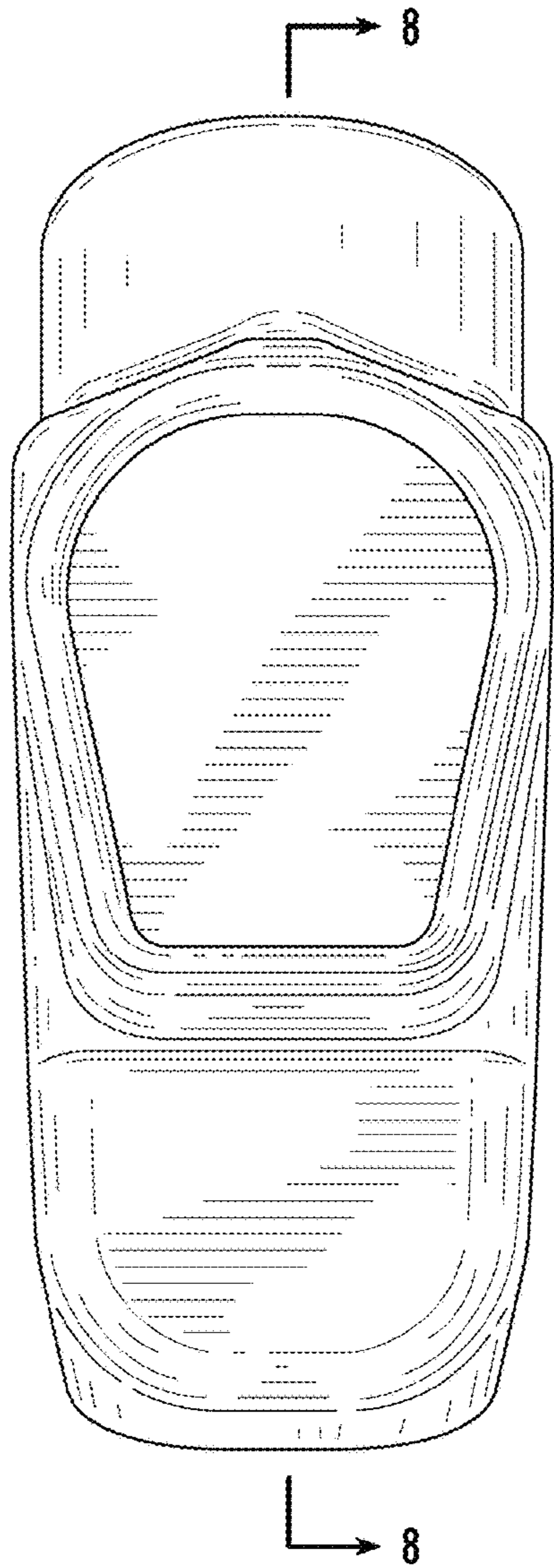


FIG. 4

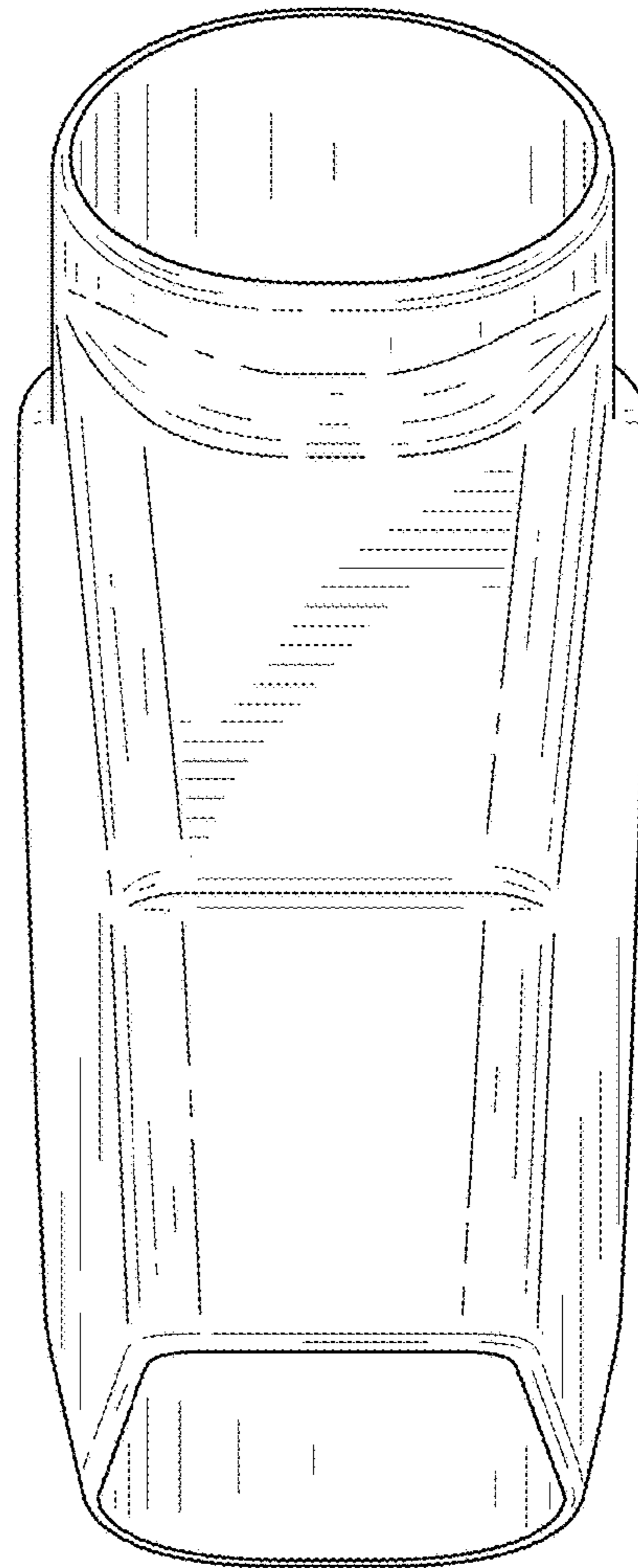


FIG. 5

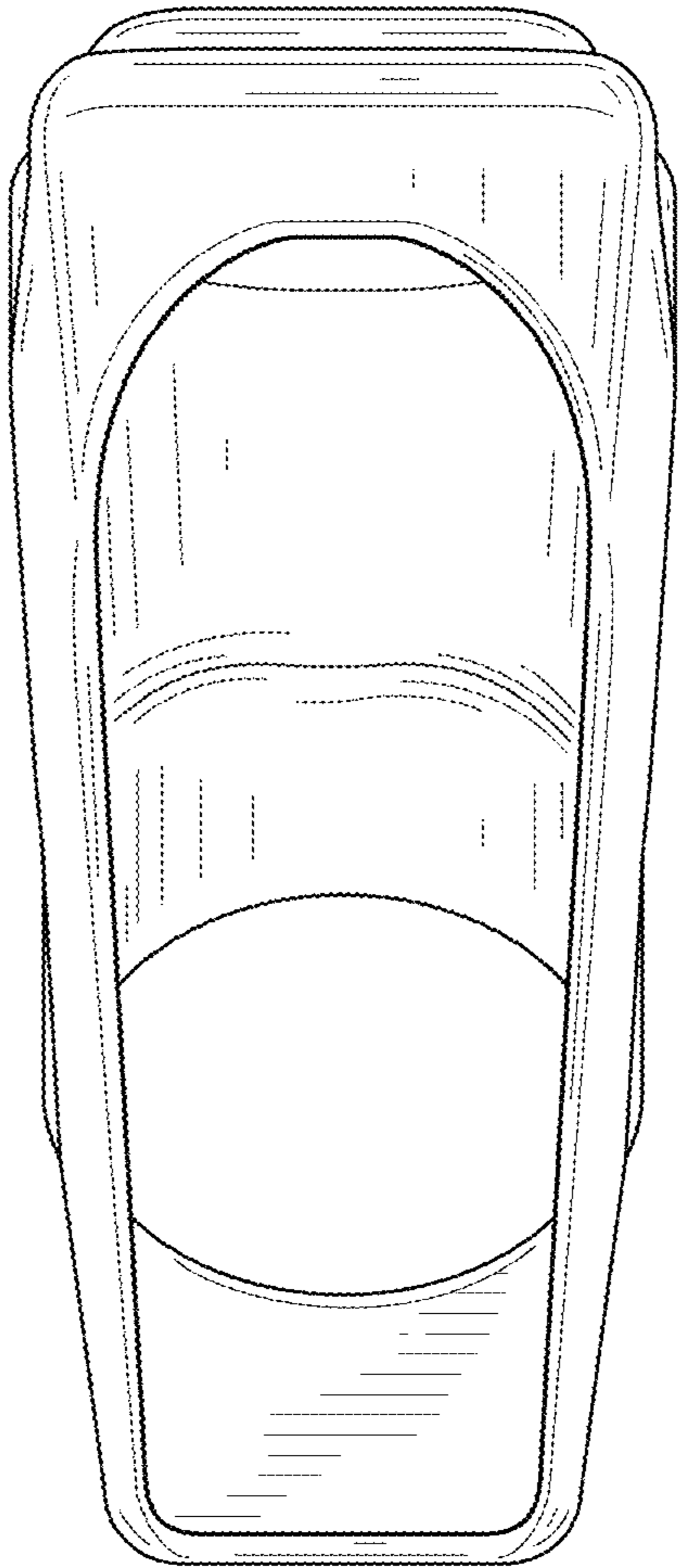


FIG. 6

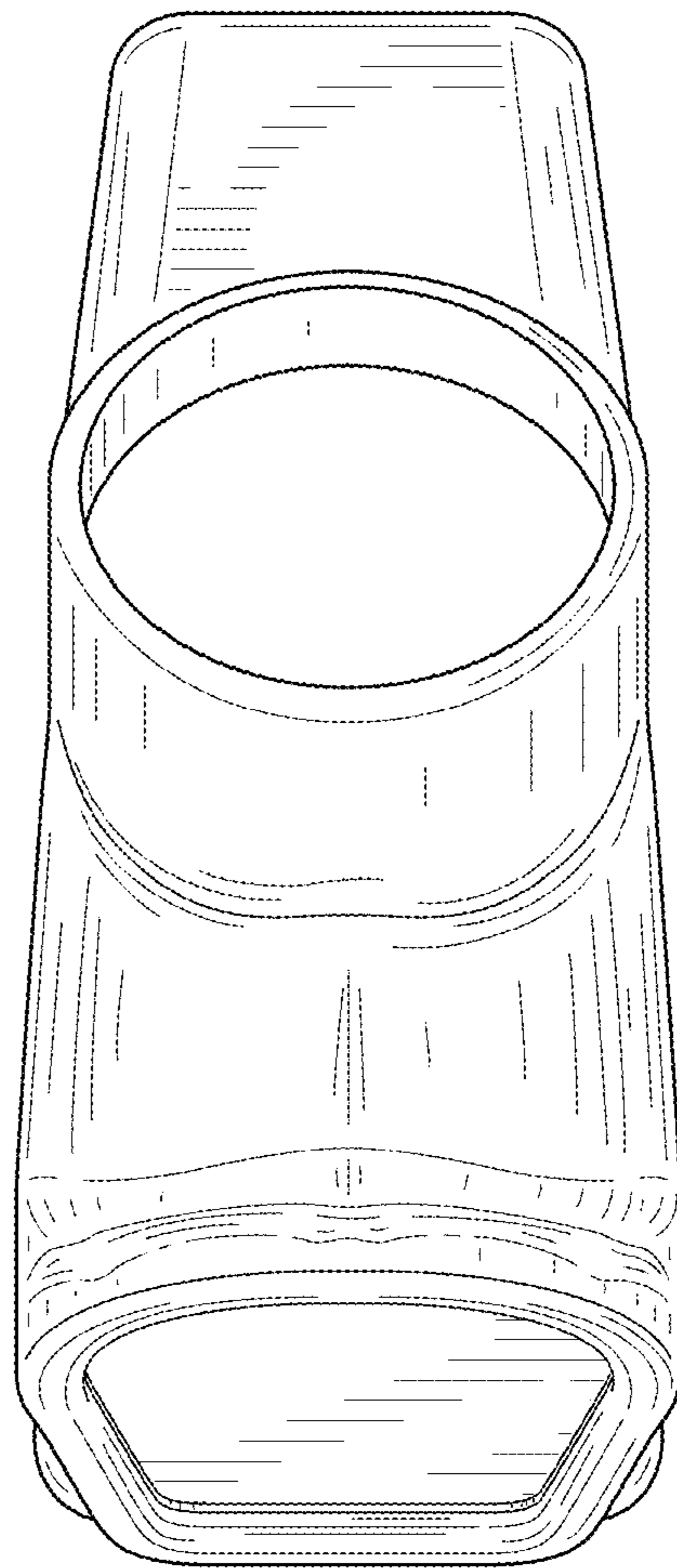


FIG. 7

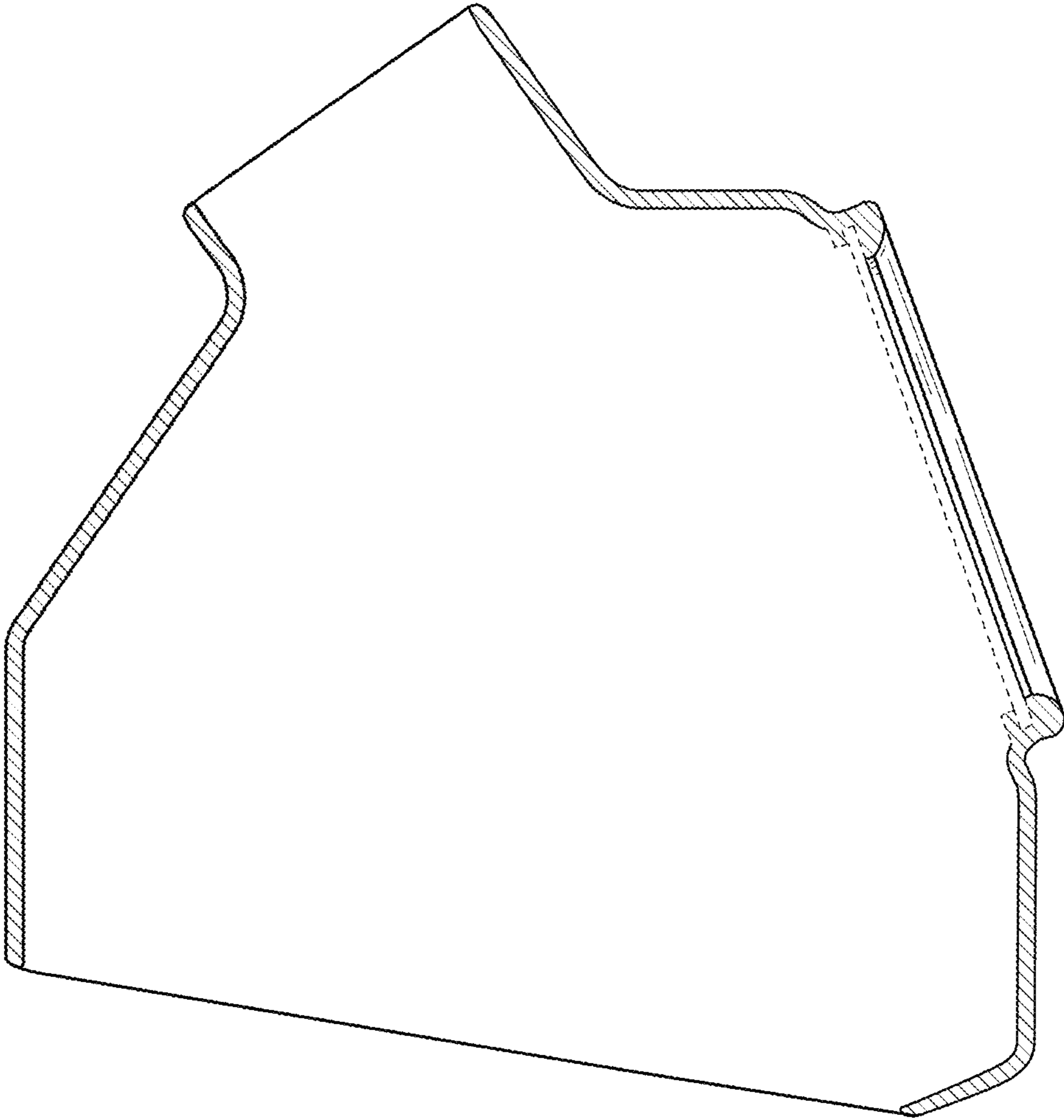


FIG. 8

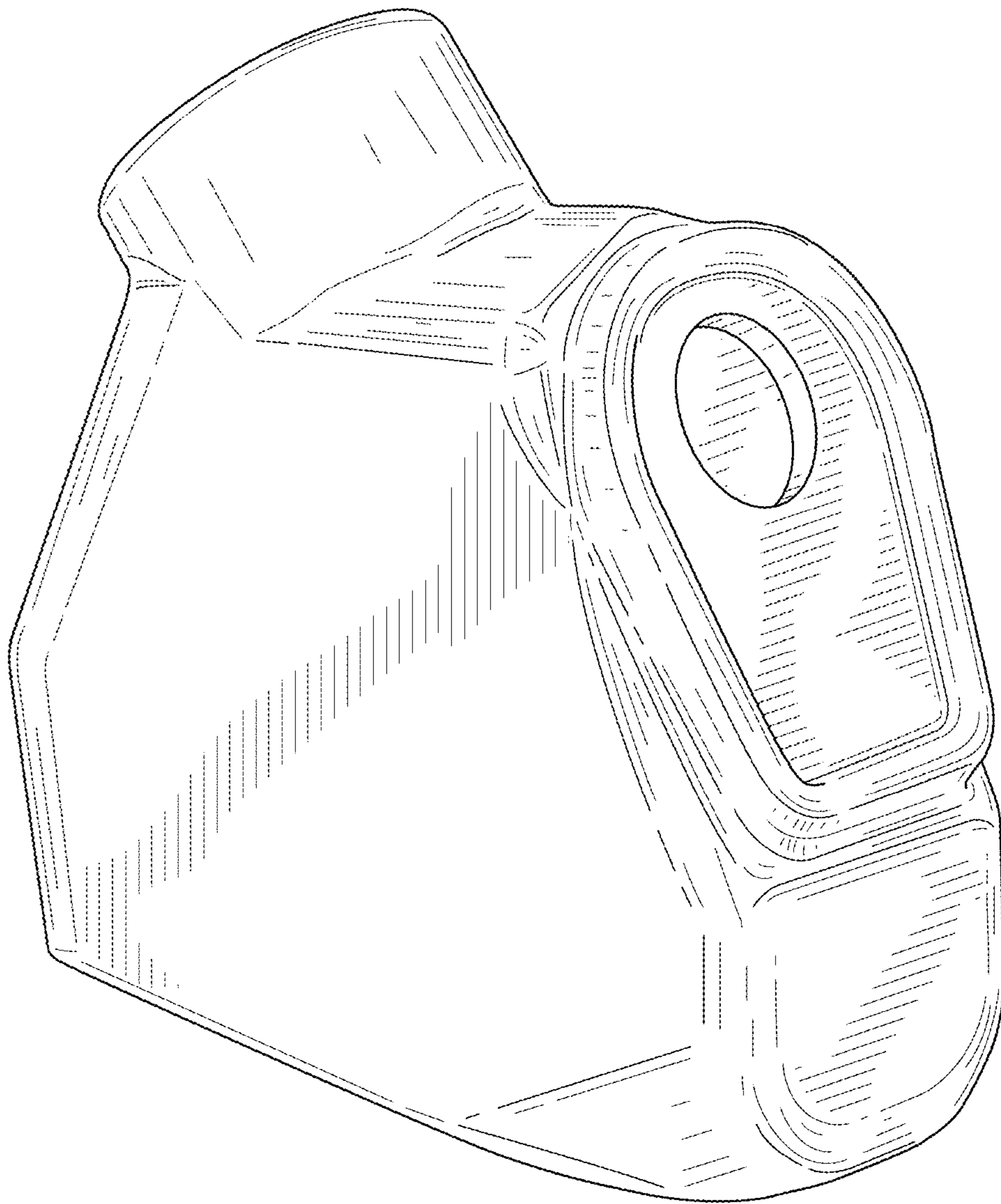


FIG. 9

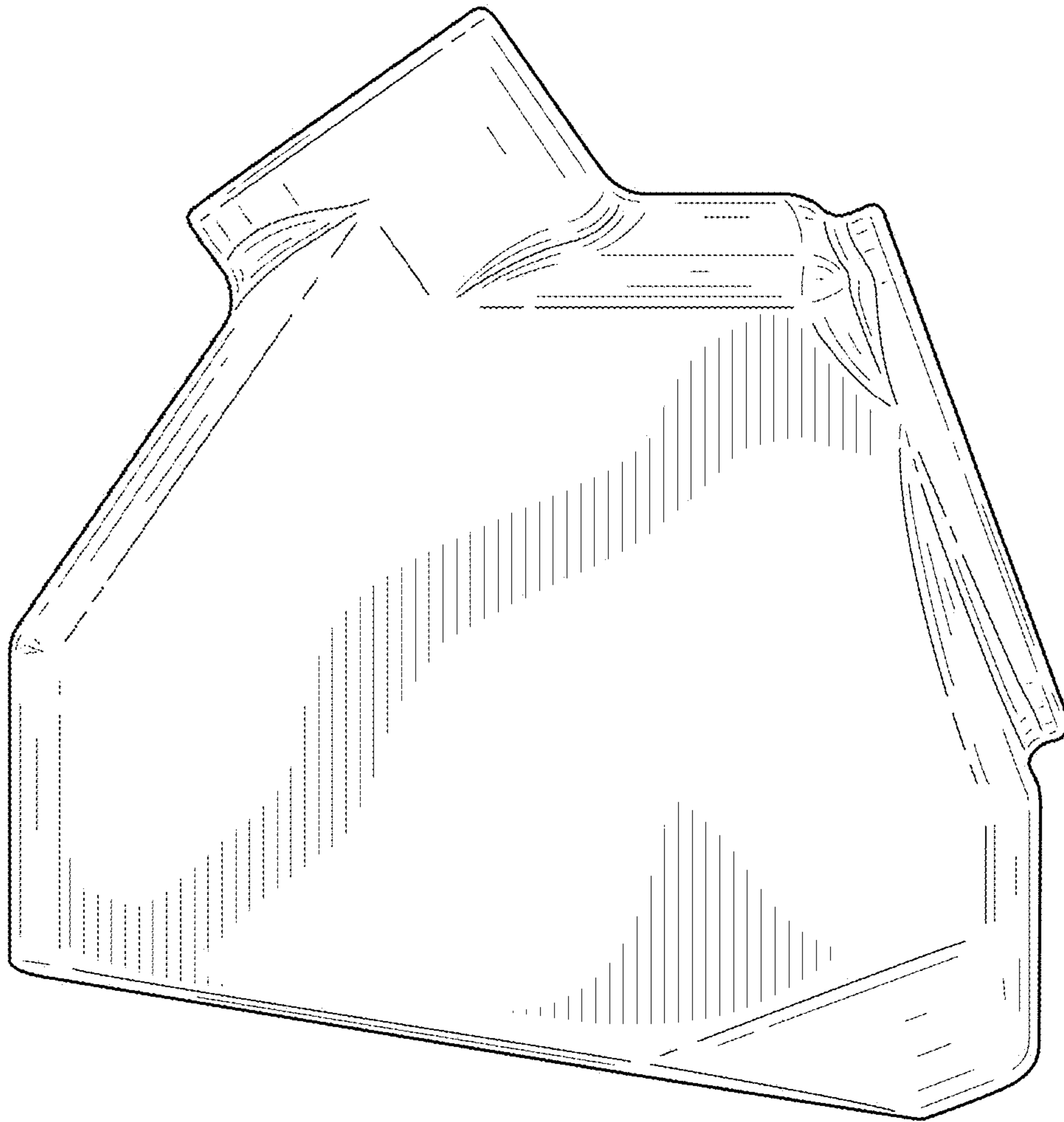


FIG. 10

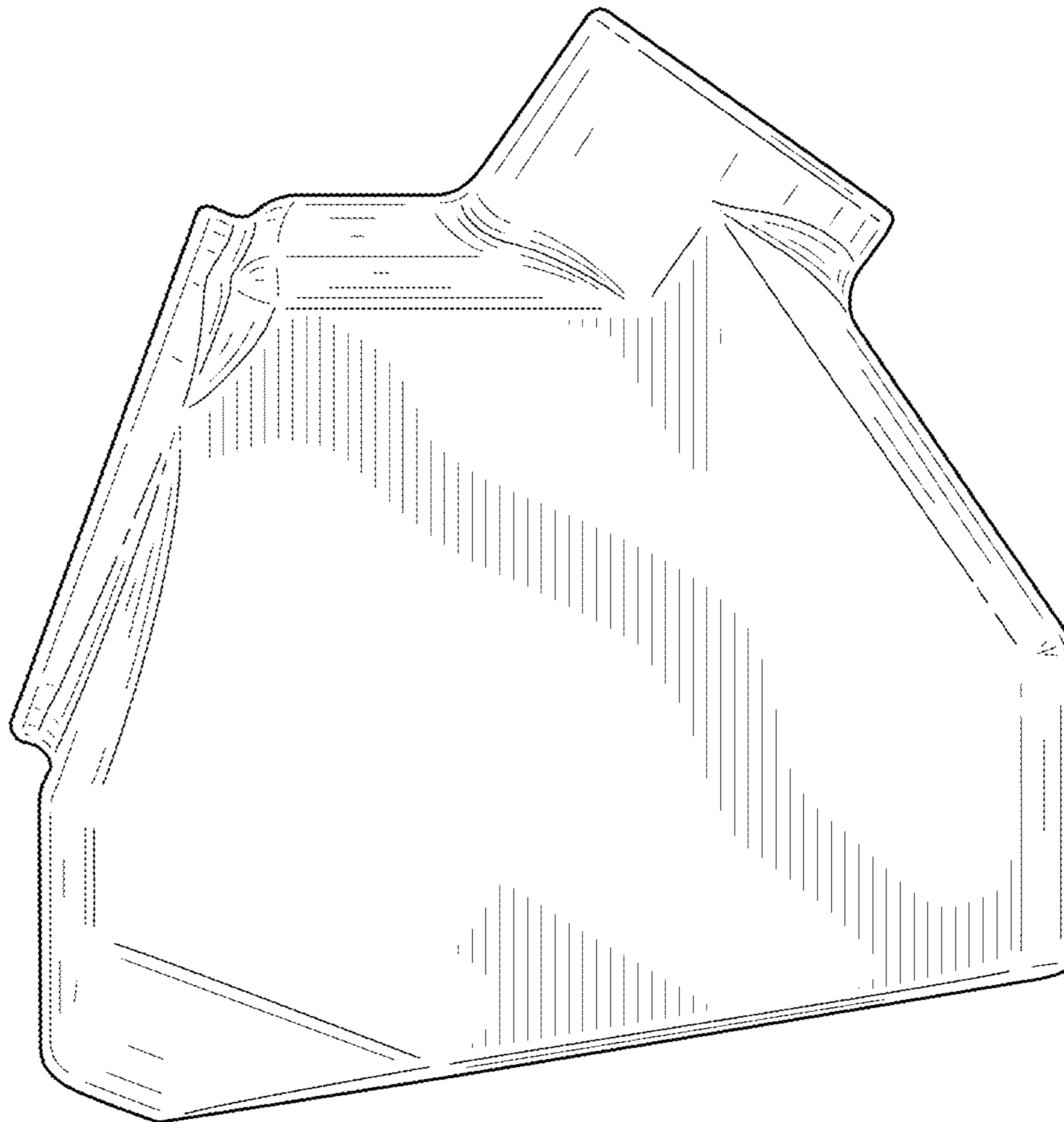


FIG. 11

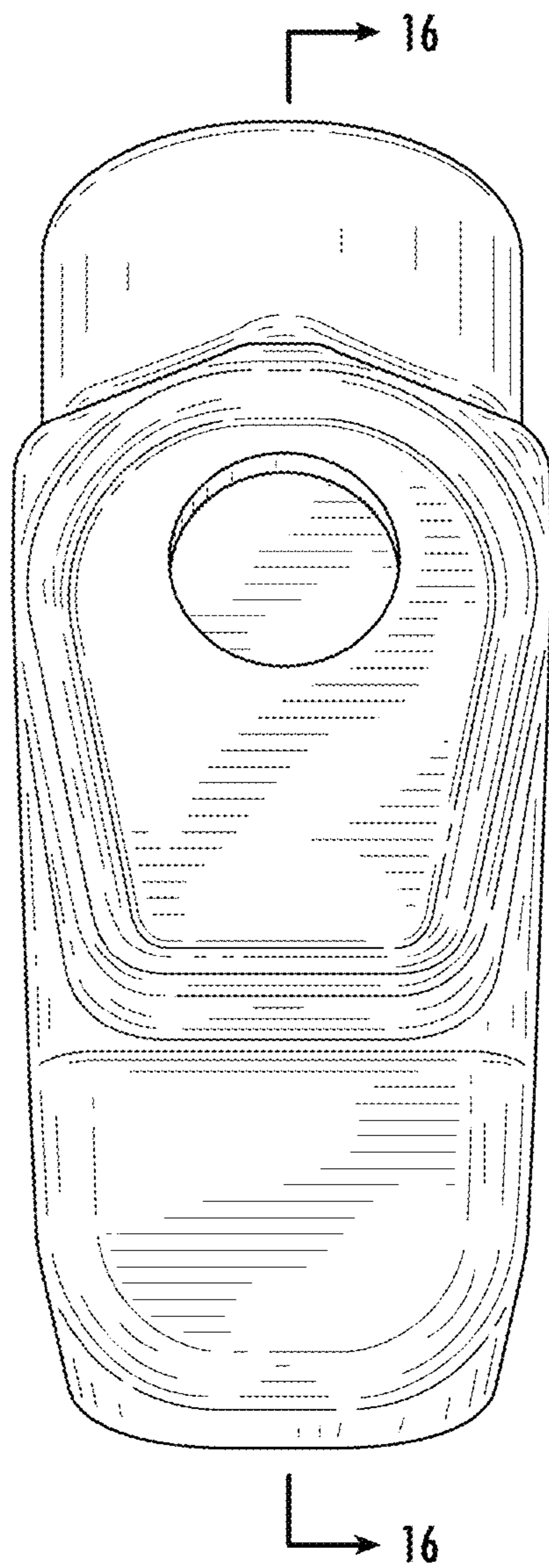


FIG. 12

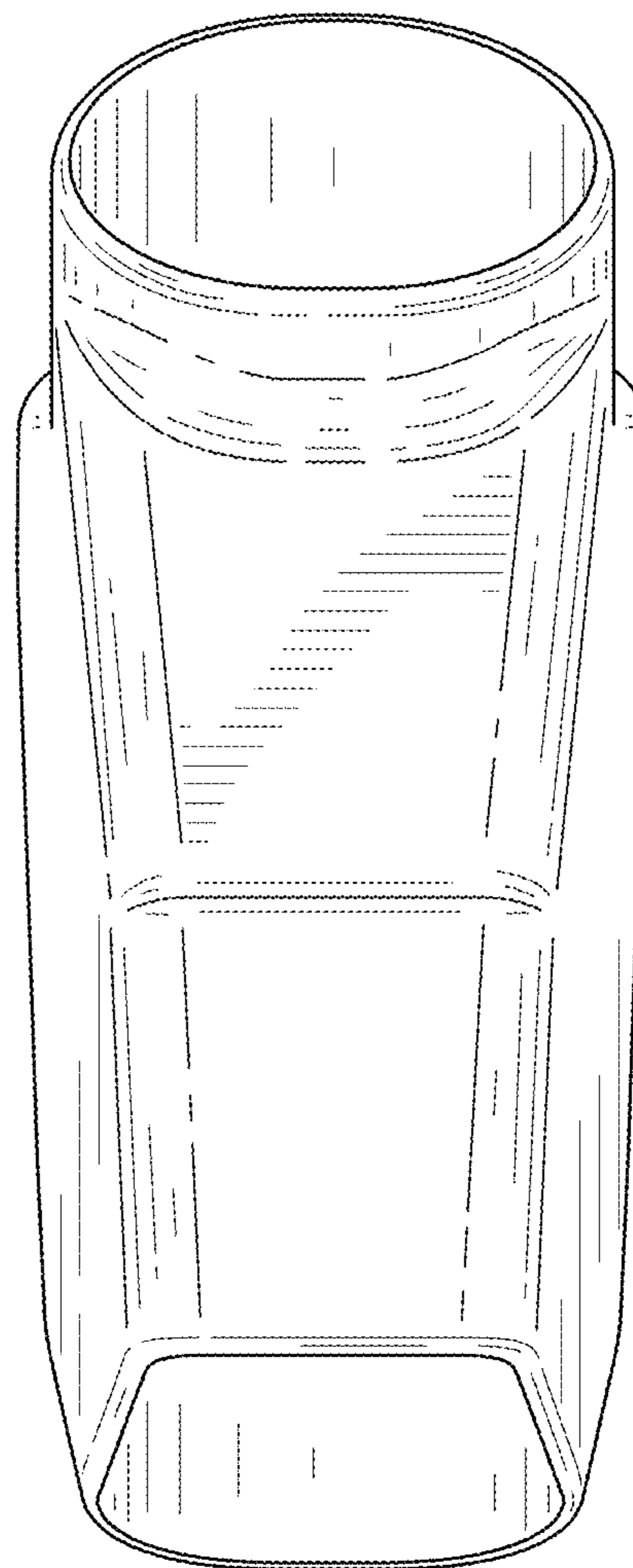


FIG. 13

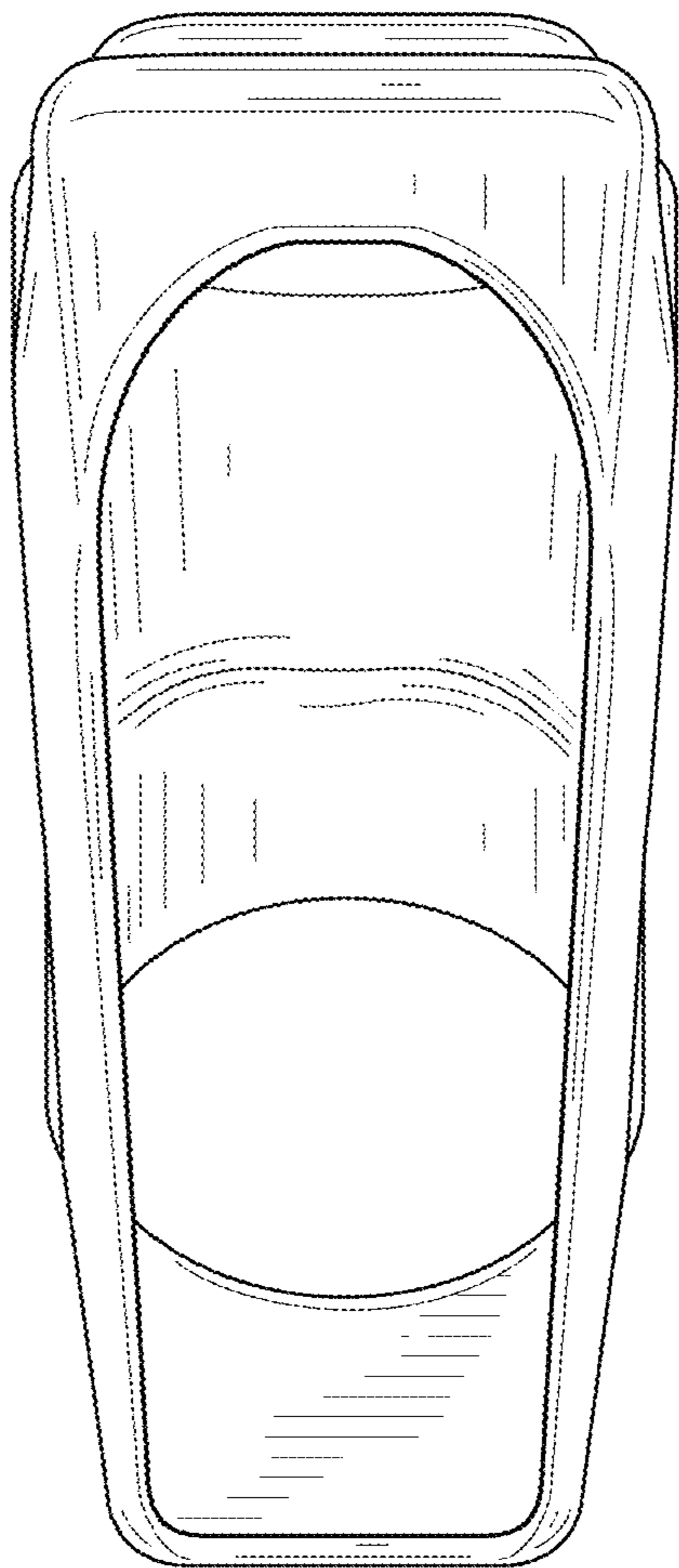


FIG. 14

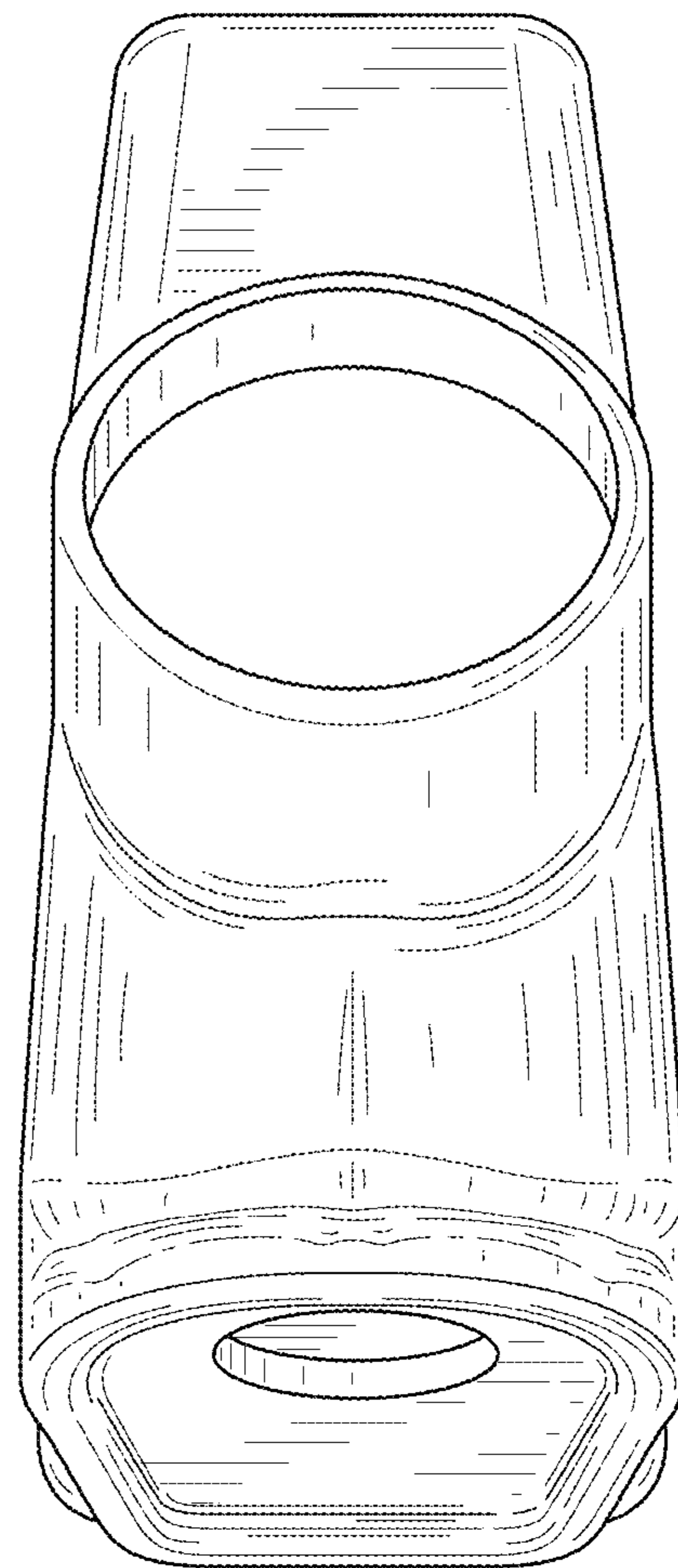


FIG. 15

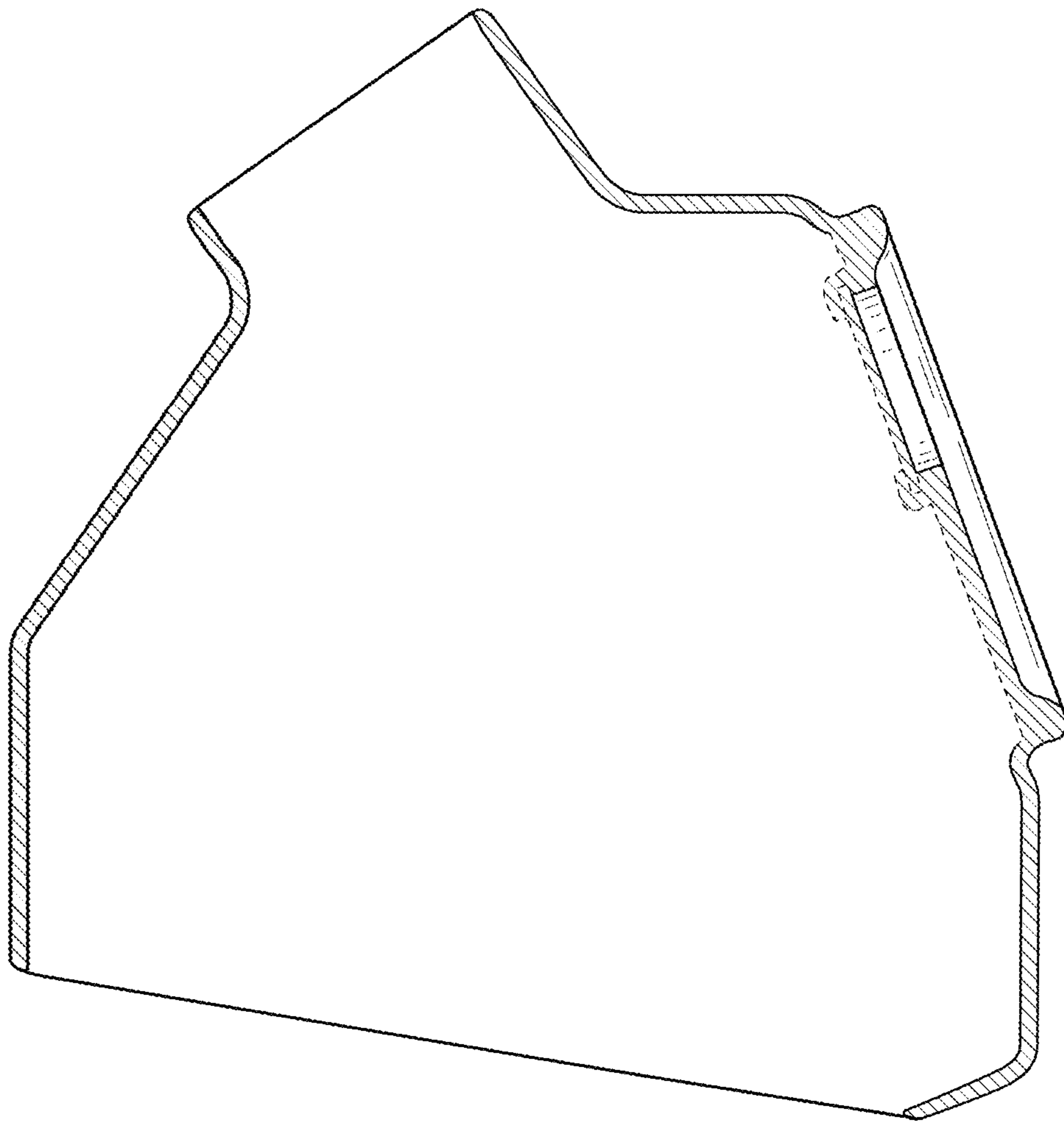


FIG. 16

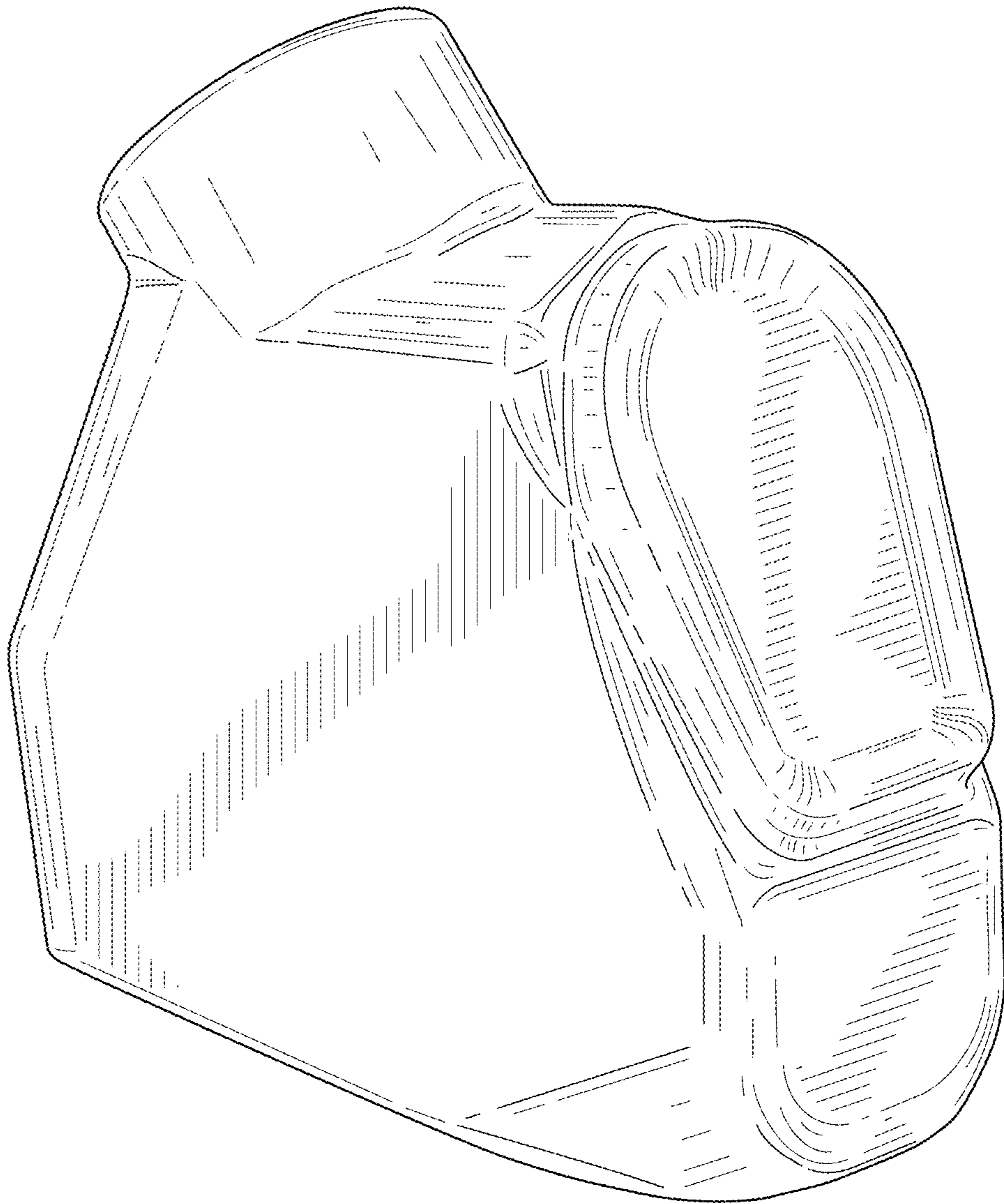


FIG. 17

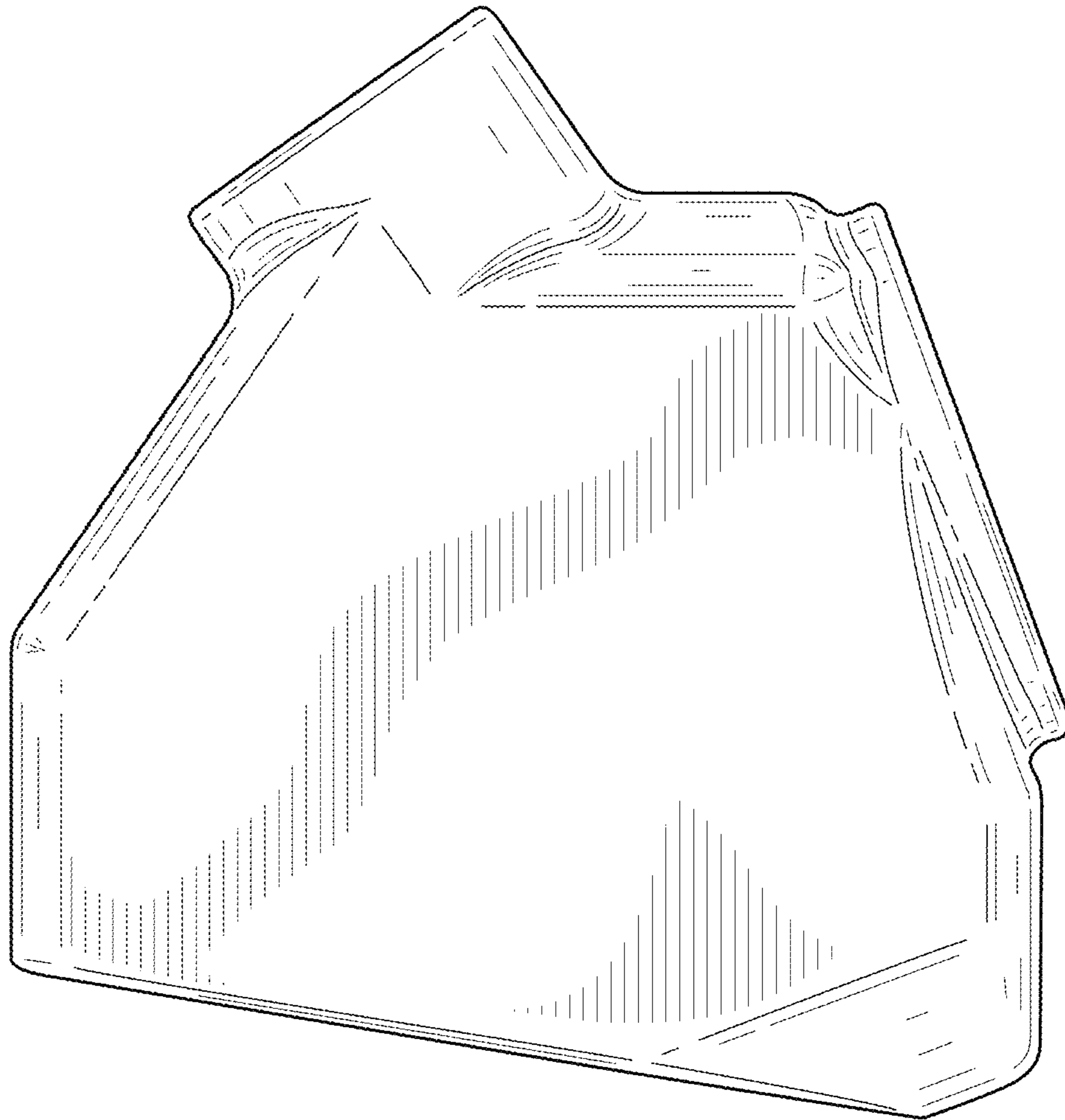


FIG. 18

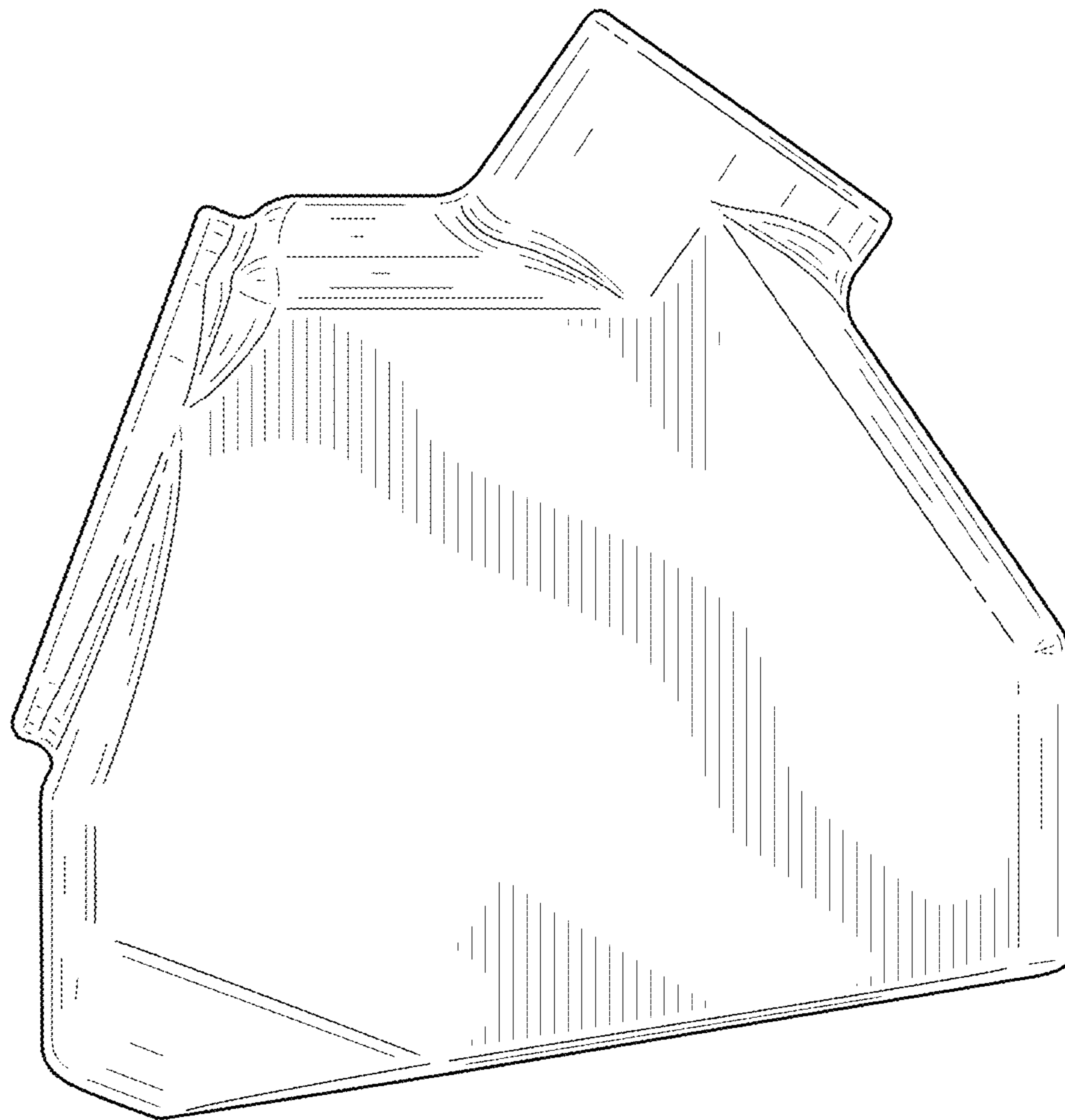


FIG. 19

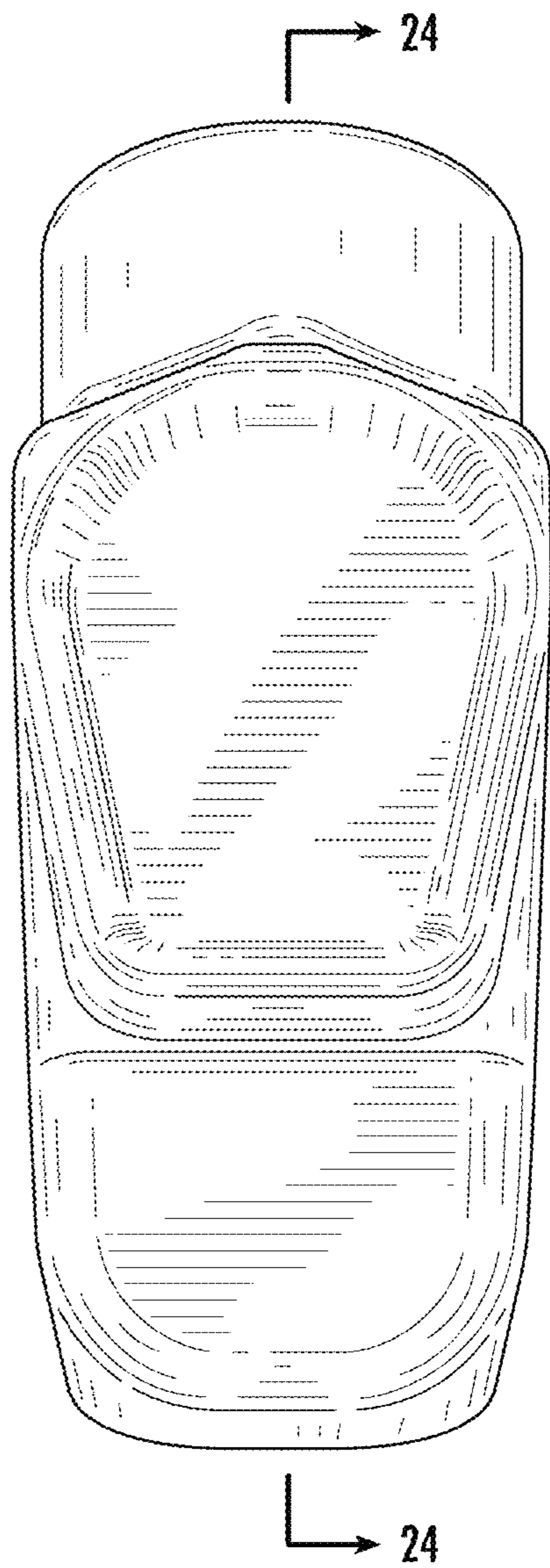


FIG. 20

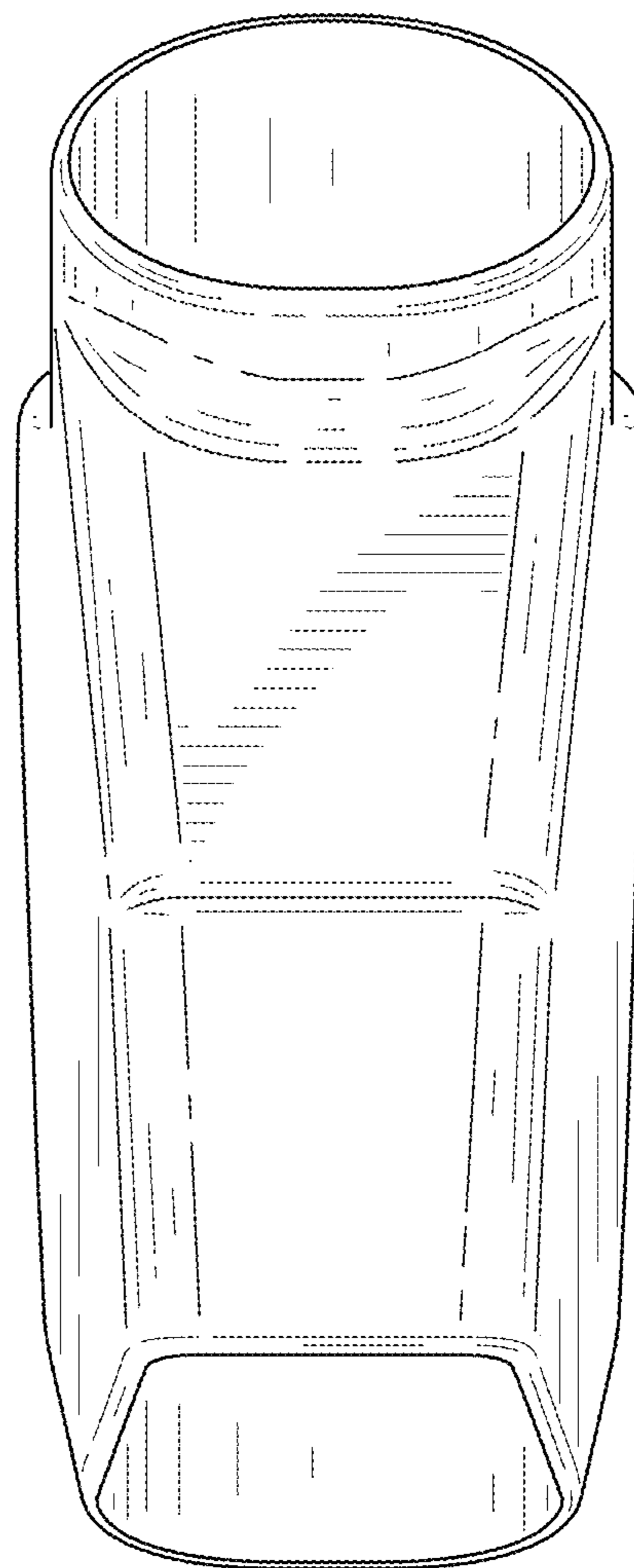


FIG. 21

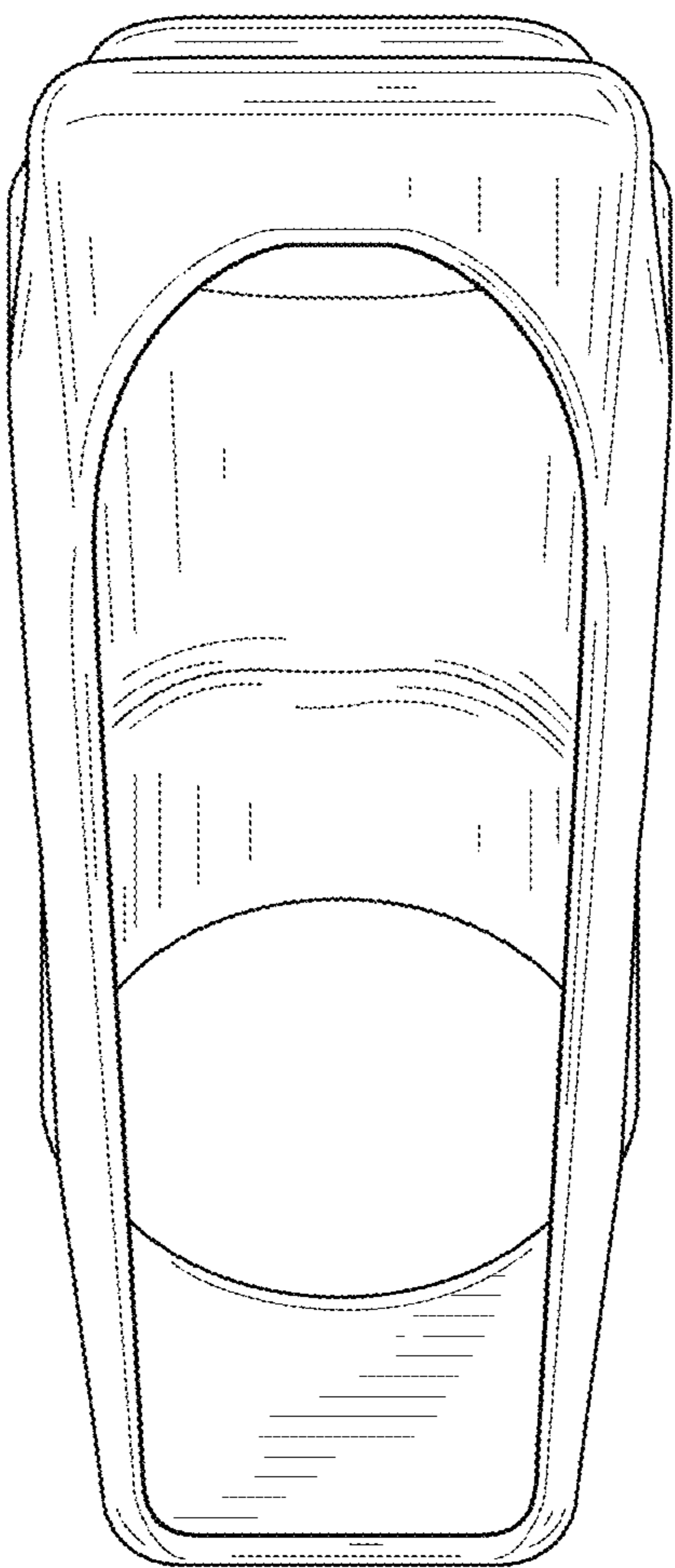


FIG. 22

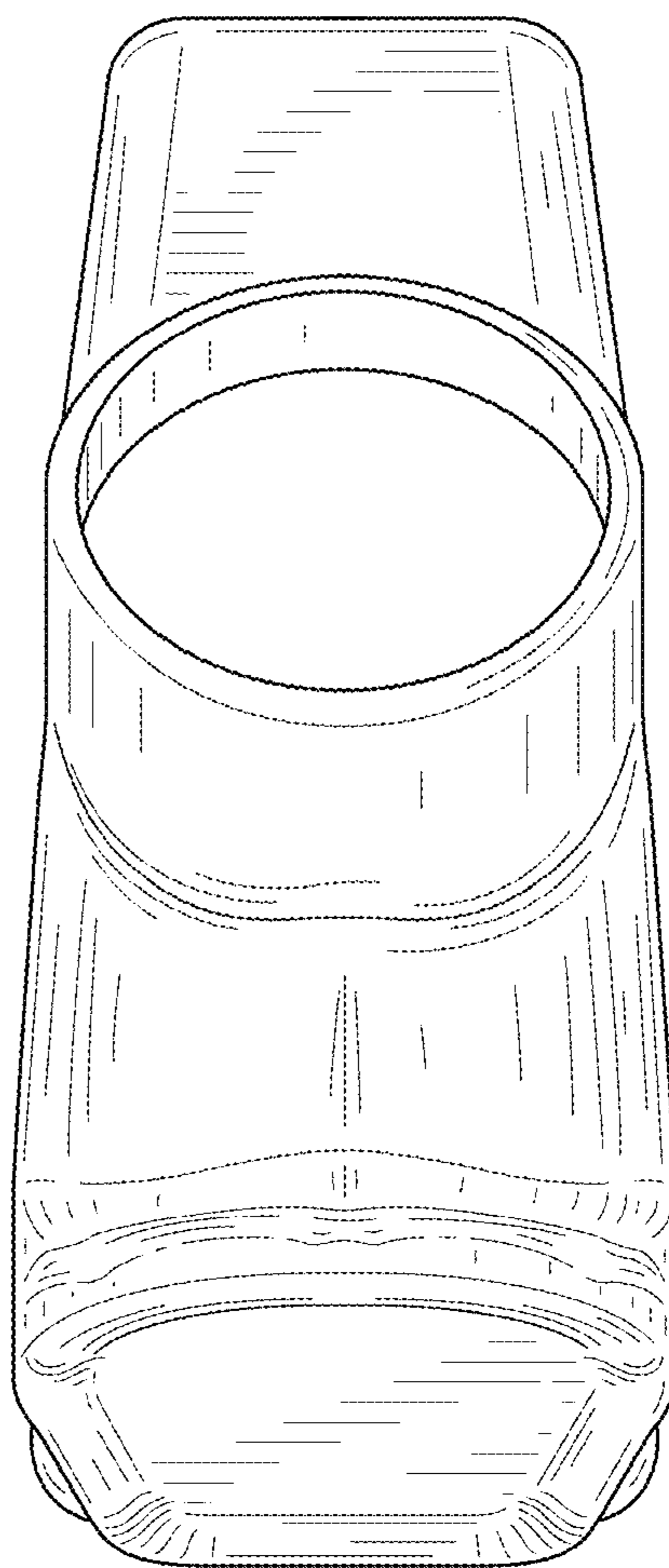


FIG. 23

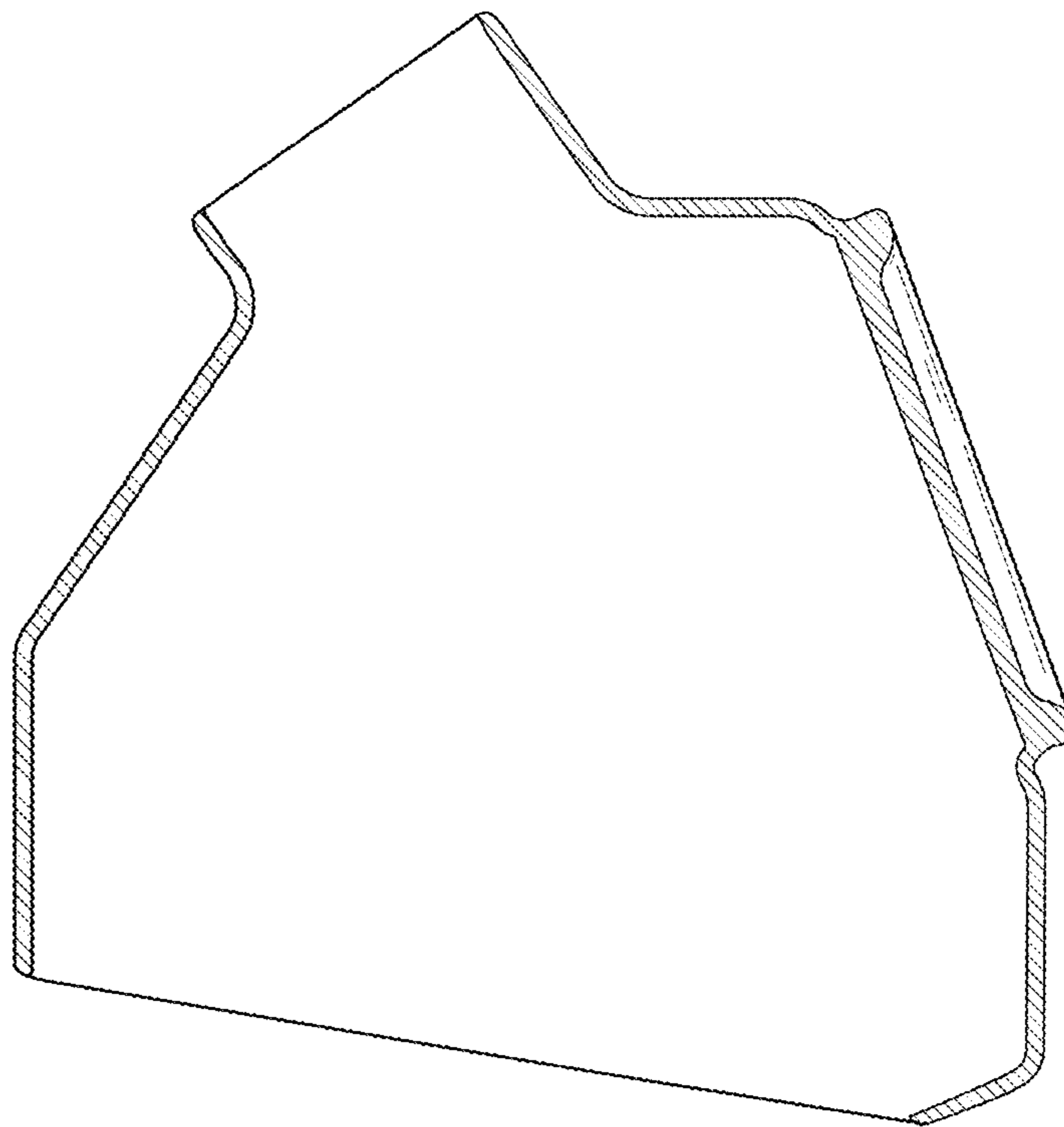


FIG. 24