



US00D802093S

(12) **United States Design Patent** (10) **Patent No.:** **US D802,093 S**  
**Zingo et al.** (45) **Date of Patent:** **\*\* Nov. 7, 2017**

(54) **CART SPRAYER**

(71) Applicant: **CHAPIN MANUFACTURING, INC.**,  
Batavia, NY (US)

(72) Inventors: **Randolf Charles Zingo**, Rochester, NY  
(US); **James R. Fontaine**, Marilla, NY  
(US); **John D. Wilson**, Akron, NY (US)

(73) Assignee: **Chapin Manufacturing, Inc.**, Batavia,  
NY (US)

(\*\*) Term: **15 Years**

(21) Appl. No.: **29/562,942**

(22) Filed: **Apr. 29, 2016**

(51) **LOC (10) Cl.** ..... **23-01**

(52) **U.S. Cl.**  
USPC ..... **D23/225**

(58) **Field of Classification Search**  
USPC ..... D23/201, 211, 213, 221, 223, 225, 226,  
D23/229

CPC ..... B05B 1/18; B05B 1/00-1/08; B05B 1/20;  
B05B 15/063

See application file for complete search history.

(56) **References Cited**

U.S. PATENT DOCUMENTS

- 2,703,256 A \* 3/1955 Mascaro ..... A01C 23/047  
222/613
- 4,135,669 A \* 1/1979 Bridges ..... B05B 9/007  
239/146
- D307,590 S \* 5/1990 Ridgeon ..... D15/13
- D399,853 S \* 10/1998 Prosper ..... D15/13
- D424,771 S \* 5/2000 Sivells ..... D34/14
- 6,394,365 B1 \* 5/2002 Jeanfreau ..... B05B 7/26  
222/386.5
- D502,532 S \* 3/2005 Schroeder ..... D23/225
- D570,069 S \* 5/2008 Leonard ..... D34/24
- D580,517 S \* 11/2008 Mattson ..... D23/225

- D616,065 S \* 5/2010 Gundersen ..... D23/225
- D734,832 S \* 7/2015 Velgersdyk ..... D23/225
- 2006/0102745 A1 \* 5/2006 Dexter ..... B05B 9/0855  
239/146

(Continued)

OTHER PUBLICATIONS

Braber Equipment Ltd., Agri Ease 2015 Preseason Program Cata-  
log, pp. 46-51, 2015.

(Continued)

*Primary Examiner* — Robin V Webster

*Assistant Examiner* — Rachel Voorhies

(74) *Attorney, Agent, or Firm* — Kenneth J. LuKacher;  
LuKacher Law Group

(57) **CLAIM**

The ornamental design for a cart sprayer, as shown and  
described.

**DESCRIPTION**

FIG. 1 is a perspective view looking downwards at the left side from the front of a cart sprayer in accordance with our design having a releasably mounted spray gun and a pivotal front boom with a spray nozzle shown, for example, pivoted to a left side spraying position, and

FIG. 2 is a front view thereof;

FIG. 3 is a rear view thereof;

FIG. 4 is a top view thereof;

FIG. 5 is another top view thereof which is the same as FIG. 4 except for the front boom being pivoted 180 degrees to position the spray nozzle of the boom in a right side spraying position;

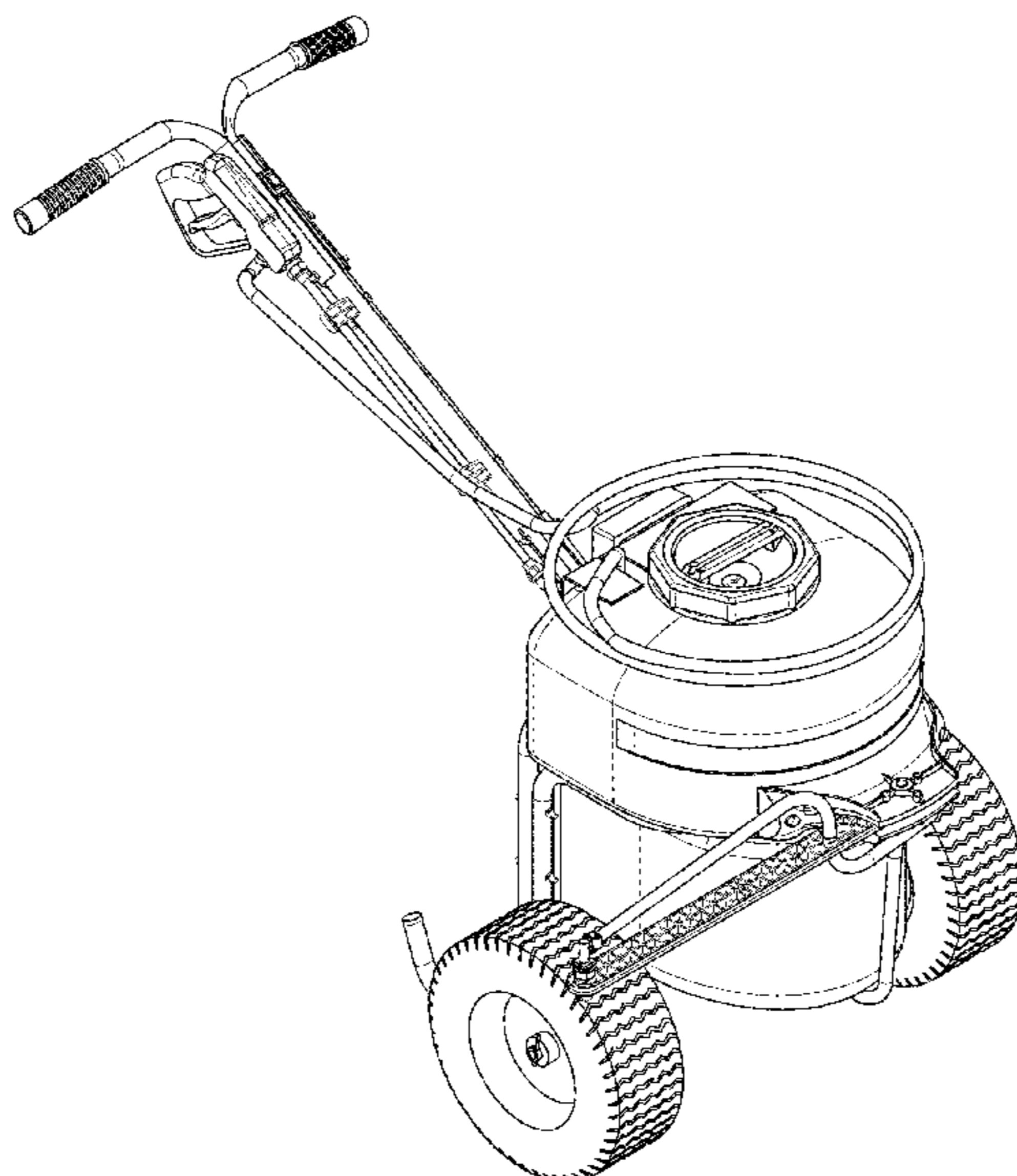
FIG. 6 is a bottom view thereof;

FIG. 7 is a left side view thereof; and,

FIG. 8 is a right side view thereof.

The elements of the cart sprayer between the back plate and tank shown in FIG. 6 in broken lines forms no part of the claimed design.

**1 Claim, 8 Drawing Sheets**



(56)

**References Cited**

U.S. PATENT DOCUMENTS

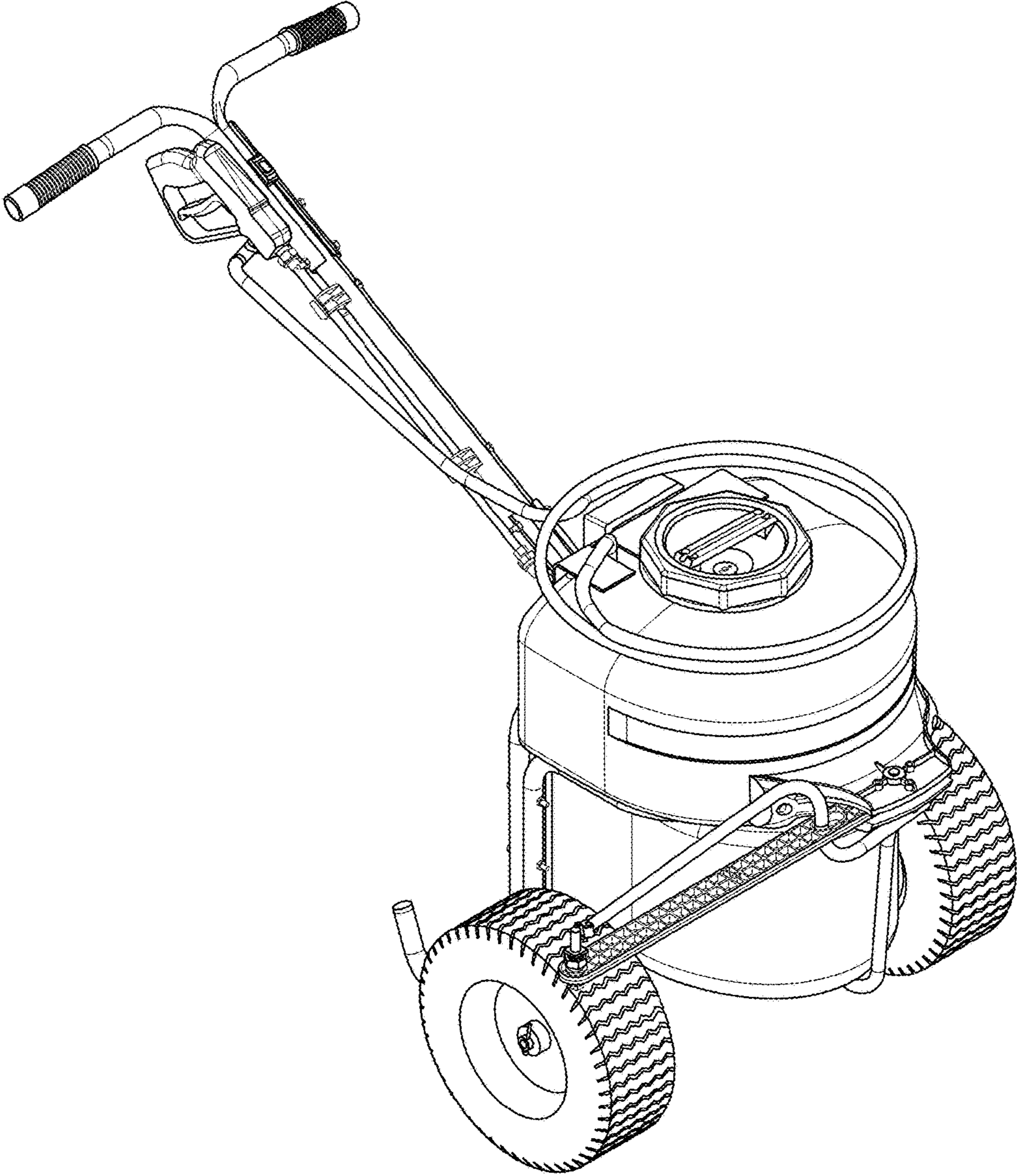
2006/0196967 A1\* 9/2006 Monty ..... B05B 1/00  
239/73  
2008/0061166 A1\* 3/2008 Jacques ..... A01M 7/0046  
239/373  
2009/0320751 A1\* 12/2009 Mirazita ..... B05B 7/0093  
118/300  
2010/0224699 A1\* 9/2010 Gaddis ..... B05B 7/0093  
239/146  
2011/0017848 A1\* 1/2011 Keith ..... A01C 23/008  
239/722  
2011/0042484 A1\* 2/2011 Kendall ..... B05B 1/205  
239/157  
2011/0189032 A1\* 8/2011 Hukriede ..... F04B 17/05  
417/364  
2014/0239096 A1\* 8/2014 Jacques ..... B05B 7/0093  
239/412  
2015/0219087 A1 8/2015 Fontaine  
2015/0223393 A1\* 8/2015 Mansfield ..... B05B 9/0403  
239/11

OTHER PUBLICATIONS

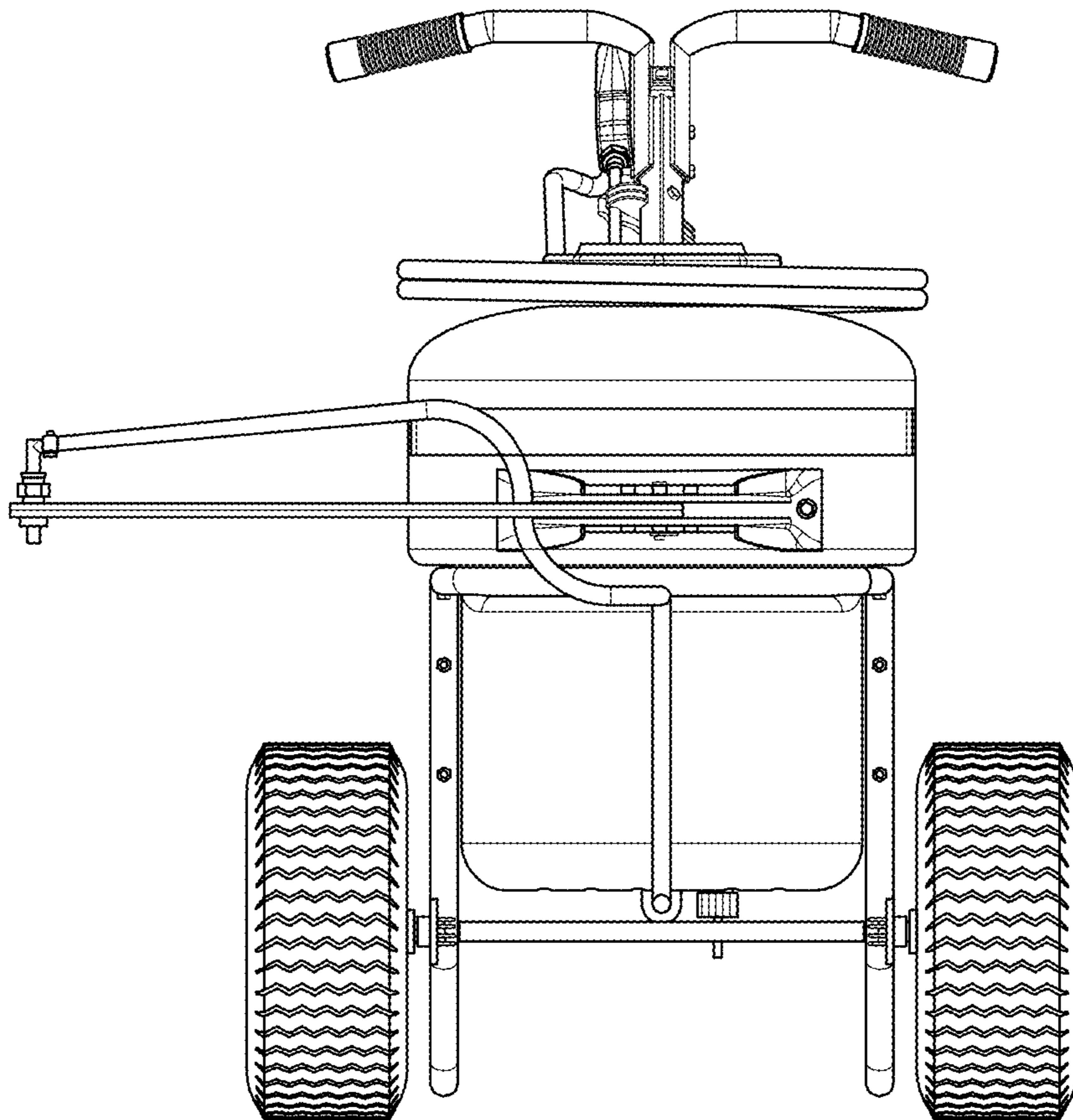
Earthway Products, Inc., S15 Push Sprayer, Assembly and Operating Instructions, pp. 1-5, May 2014.

Earthway Products, Inc., S15 Spray-Pro, <http://earthway.com/product/s15-spray-pro.ashx>, pp. 1-4, printed Jul. 8, 2015.  
Earthway Products, Inc., S25ss Spray-Pro Push Sprayer, Assembly and Operating Instructions, pp. 1-7, Jan. 2014.  
Earthway Products, Inc., S25SS Spray-Pro, <http://earthway.com/product/s25ss-spray-pro.ashx>, pp. 1-4, printed Jul. 8, 2015.  
FIMCO Industries, Owner's Manual, Model: LG-5-P (5302165), Apr. 2012.  
FIMCO Industries, Owner's Manual, Model: LG-8-P (5301814), pp. 1-3, Dec. 2011.  
FIMCO Industries, Fimco Products Brochure, LG-8-P, LG-3025, at least as early as Jul. 8, 2015.  
FIMCO Industries, Owner's Manual, Model: LG-4-3-1 (5302314), pp. 1-5, Jan. 2015.  
Grainger Industrial Supply, Turfex Walk Behind Spray, SS Handle, 12 Gal., pp. 1-3, [www.grainger.com](http://www.grainger.com), printed Jul. 2, 2015.  
Master Manufacturing, Master Gardner Sprayer Manual, pp. 1-7, Nov. 2010.  
Precision Spray Equipment, Assembly/Operation Instructions/Parts, LG 05 SS, 5 Gallon Spot Sprayer, pp. 1-6, at least as early as Jul. 8, 2015.  
Trynex International, SnowEx, SL-80/SL-80SS, Owner/Operator's Manual, 2011.  
Trynex International, TurfEx, TL-80/TL-80SS, Owner/Operator's Manual, 2014.  
Chapin Manufacturing, Inc., Model 6300 6-Gallon Industrial Stainless Steel Cart Sprayer Manual, Sep. 2011.

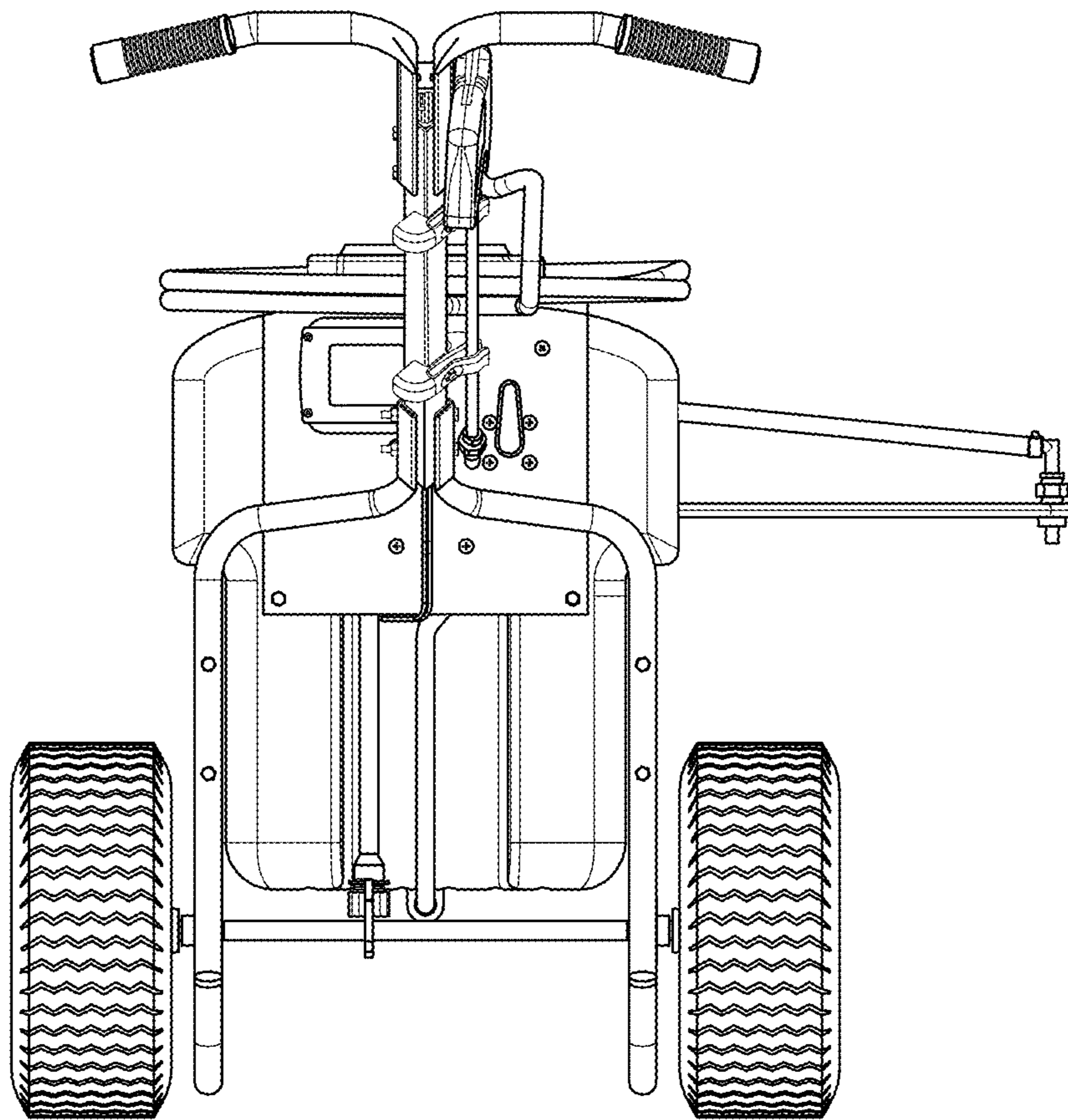
\* cited by examiner



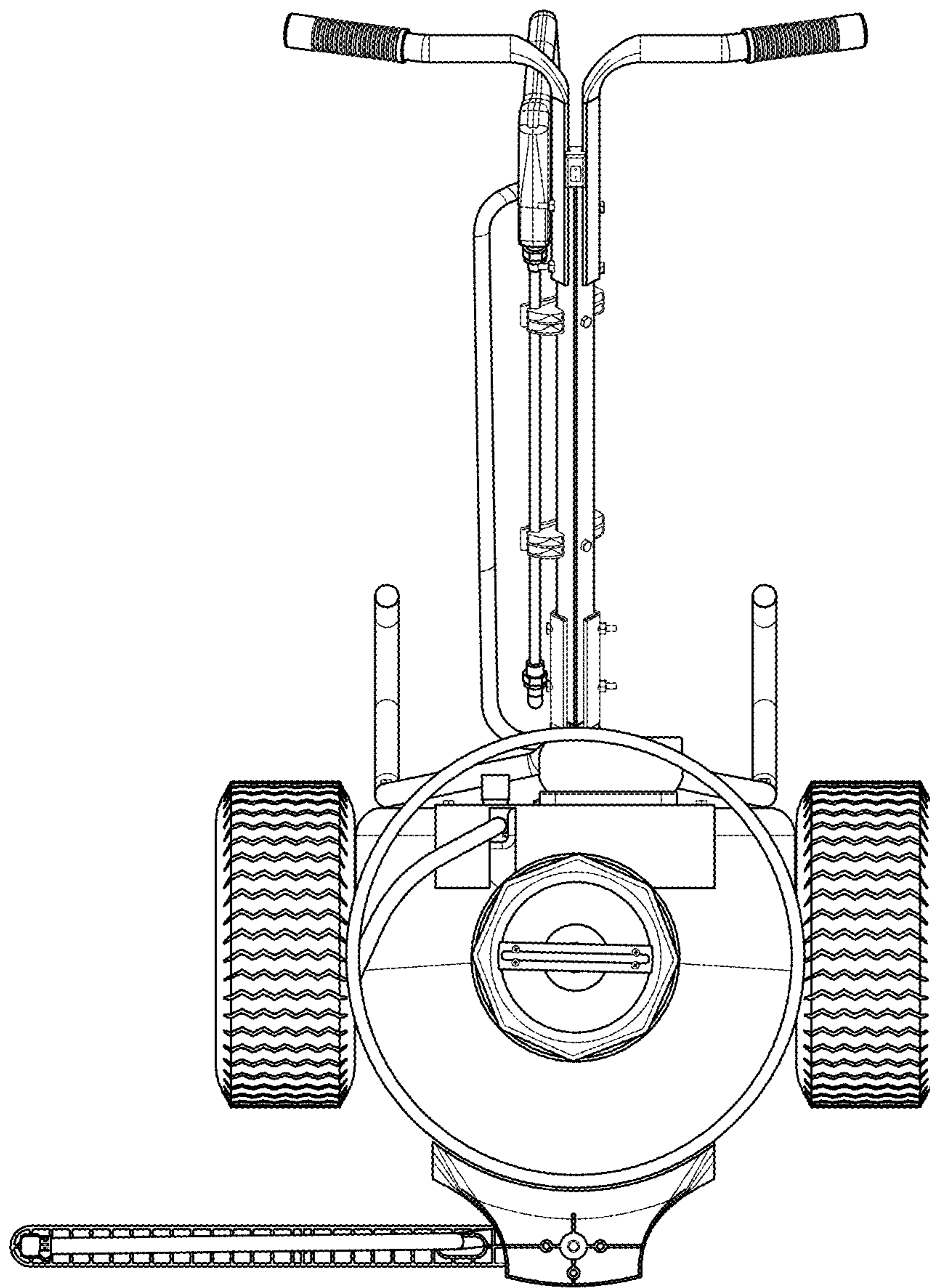
**FIG. 1**



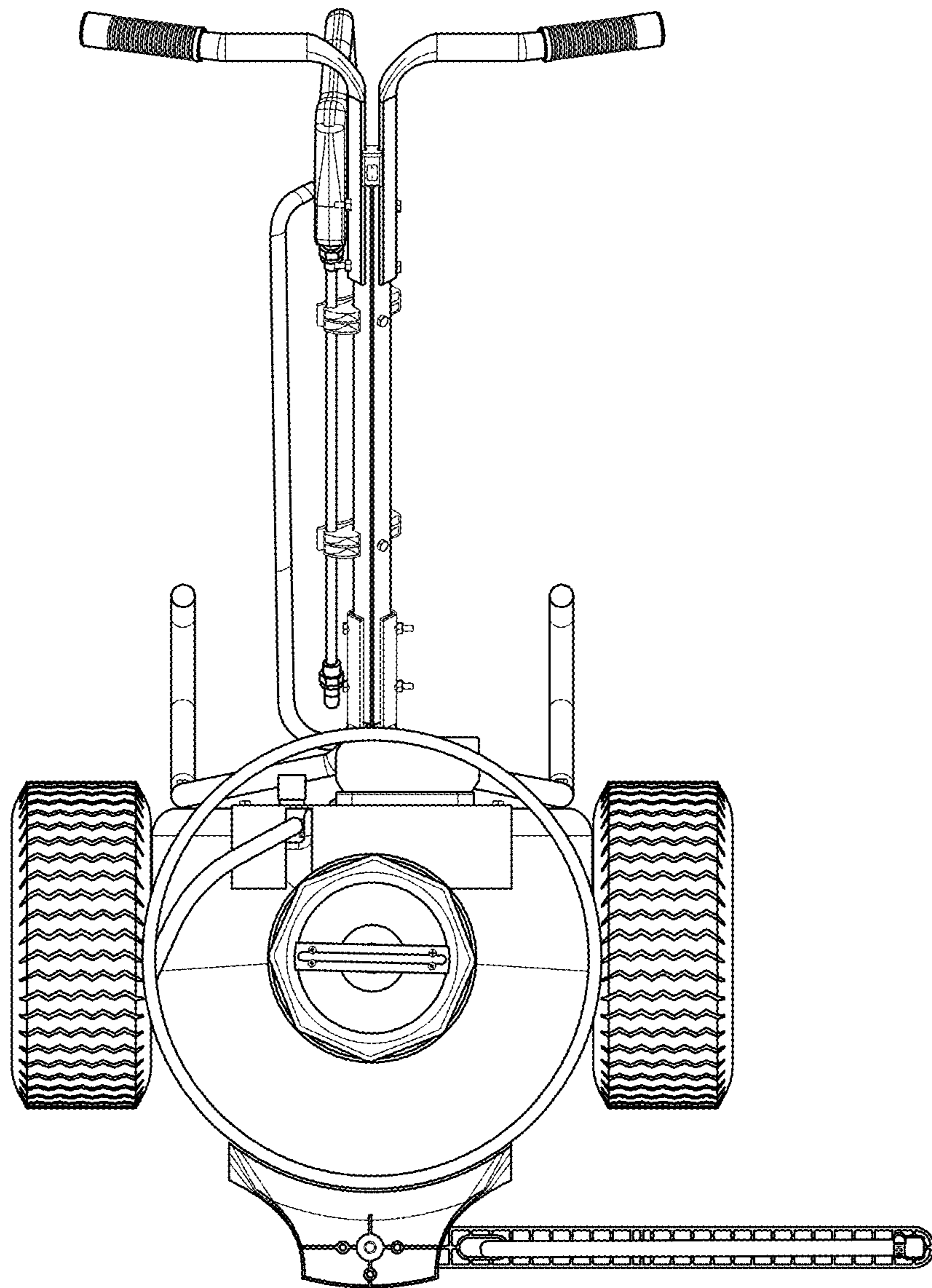
**FIG. 2**



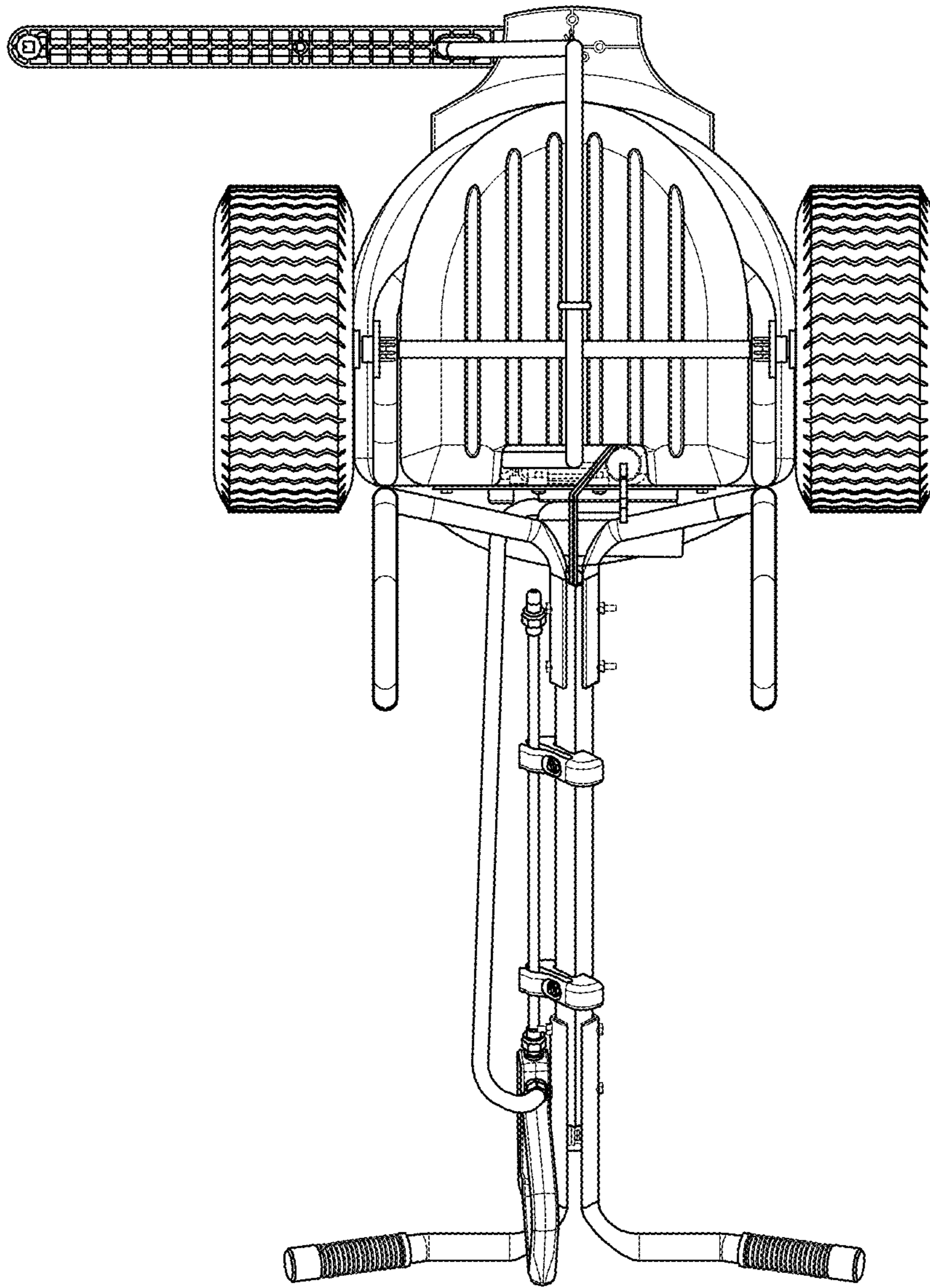
**FIG. 3**



**FIG. 4**

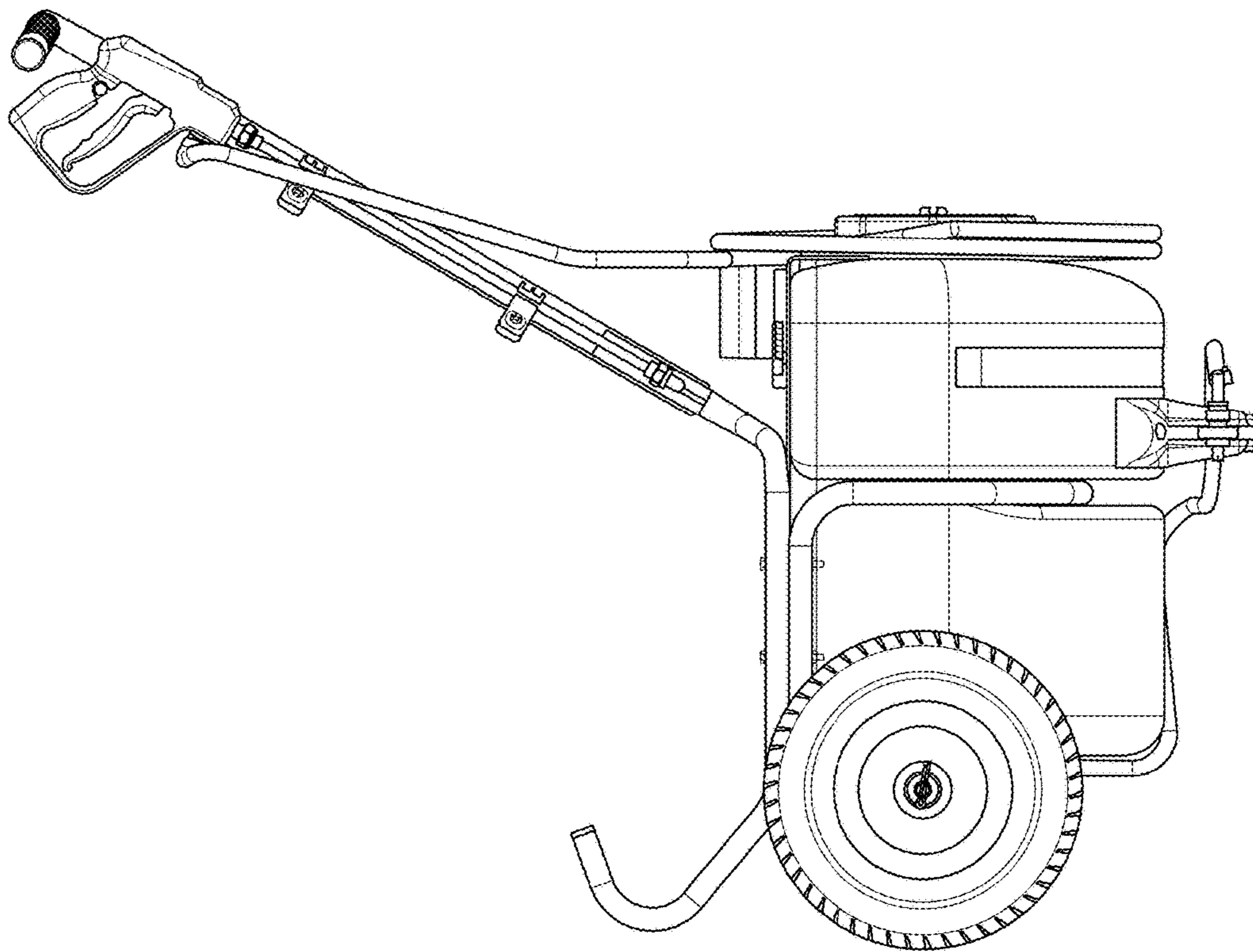


**FIG. 5**

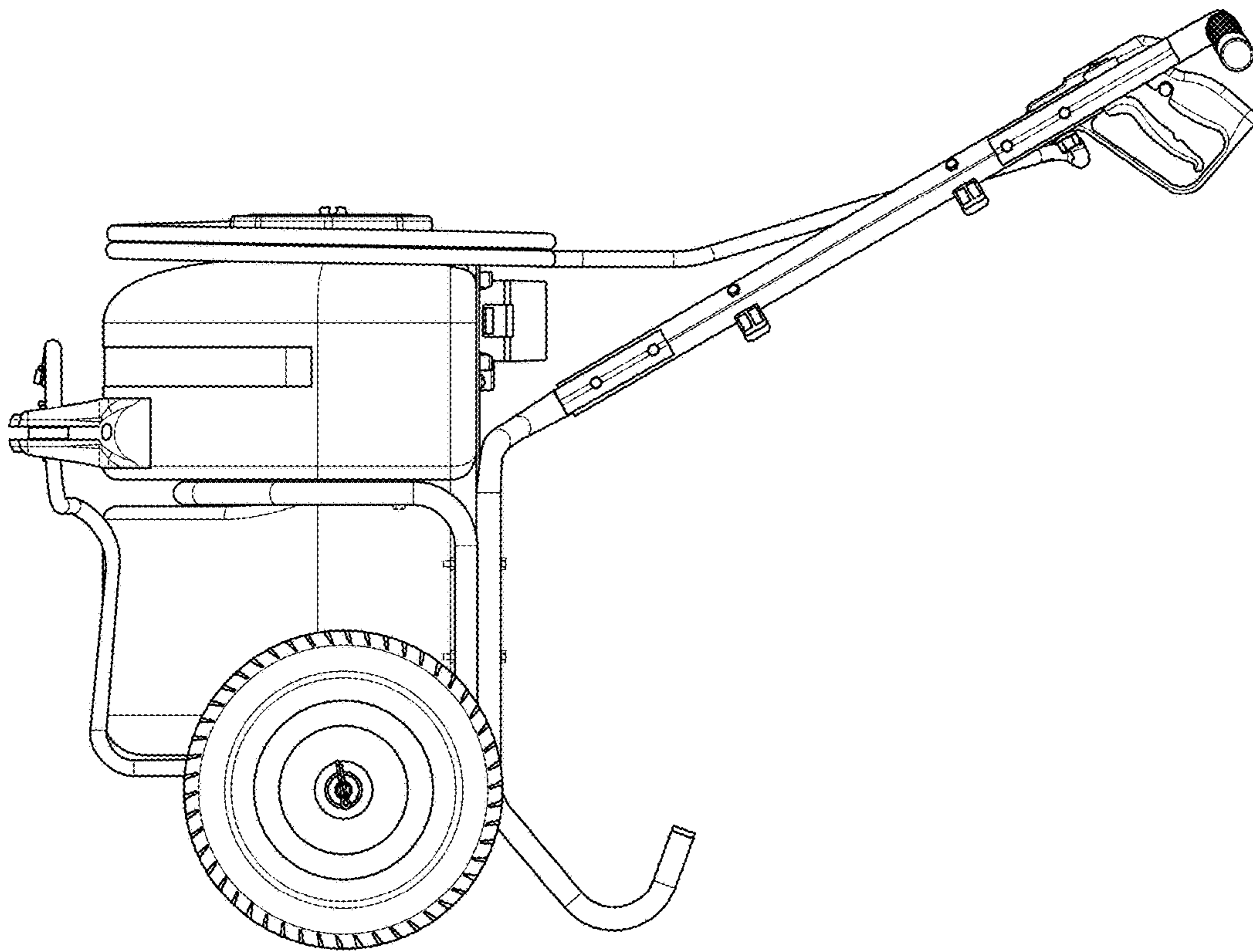


**FIG. 6**





**FIG. 7**



**FIG. 8**