



US00D802092S

(12) **United States Design Patent** (10) **Patent No.:** **US D802,092 S**  
**Näslund et al.** (45) **Date of Patent:** **\*\* Nov. 7, 2017**

(54) **SPRAYER**  
(71) Applicant: **HUSQVARNA AB**, Huskvarna (SE)  
(72) Inventors: **Jens Näslund**, Spånga (SE); **Daniel Gunnarsson**, Danderyd (SE); **Gustav Landberg**, Trosa (SE); **Tor Sigurdson**, Stockholm (SE)  
(73) Assignee: **HUSQVARNA AB**, Huskvarna (SE)  
(\*\*) Term: **15 Years**  
(21) Appl. No.: **29/567,078**  
(22) Filed: **Jun. 6, 2016**

D674,464 S \* 1/2013 Wilder ..... D23/209  
D689,664 S \* 9/2013 Dietvorst ..... D32/75  
D714,422 S \* 9/2014 Mammen ..... D23/226  
D714,423 S \* 9/2014 Mammen ..... D23/226  
D746,945 S \* 1/2016 Naslund ..... D23/223  
D746,946 S 1/2016 Näslund  
2012/0223153 A1\* 9/2012 Helmsderfer ..... B05B 1/1654  
239/1

**FOREIGN PATENT DOCUMENTS**

JP D1521416 S 4/2015  
TW 596339 A 6/2004  
TW D091006 11/2004  
TW D118254 7/2007  
TW D129036 6/2009  
TW D130862 9/2009  
TW D166729 3/2015

\* cited by examiner

*Primary Examiner* — Robin V Webster

*Assistant Examiner* — Rachel Voorhies

(74) *Attorney, Agent, or Firm* — McNair Law Firm, P.A.

(30) **Foreign Application Priority Data**  
Dec. 9, 2015 (EM) ..... 002900910-0002  
(51) **LOC (10) Cl.** ..... **23-01**  
(52) **U.S. Cl.**  
USPC ..... **D23/223**  
(58) **Field of Classification Search**  
USPC ..... D23/201, 211, 213, 221, 223, 225, 226,  
D23/229  
CPC ..... B05B 1/18; B05B 1/00-1/08; B05B 1/20;  
B05B 15/063  
See application file for complete search history.

(57) **CLAIM**

The ornamental design for a sprayer, as shown and described.

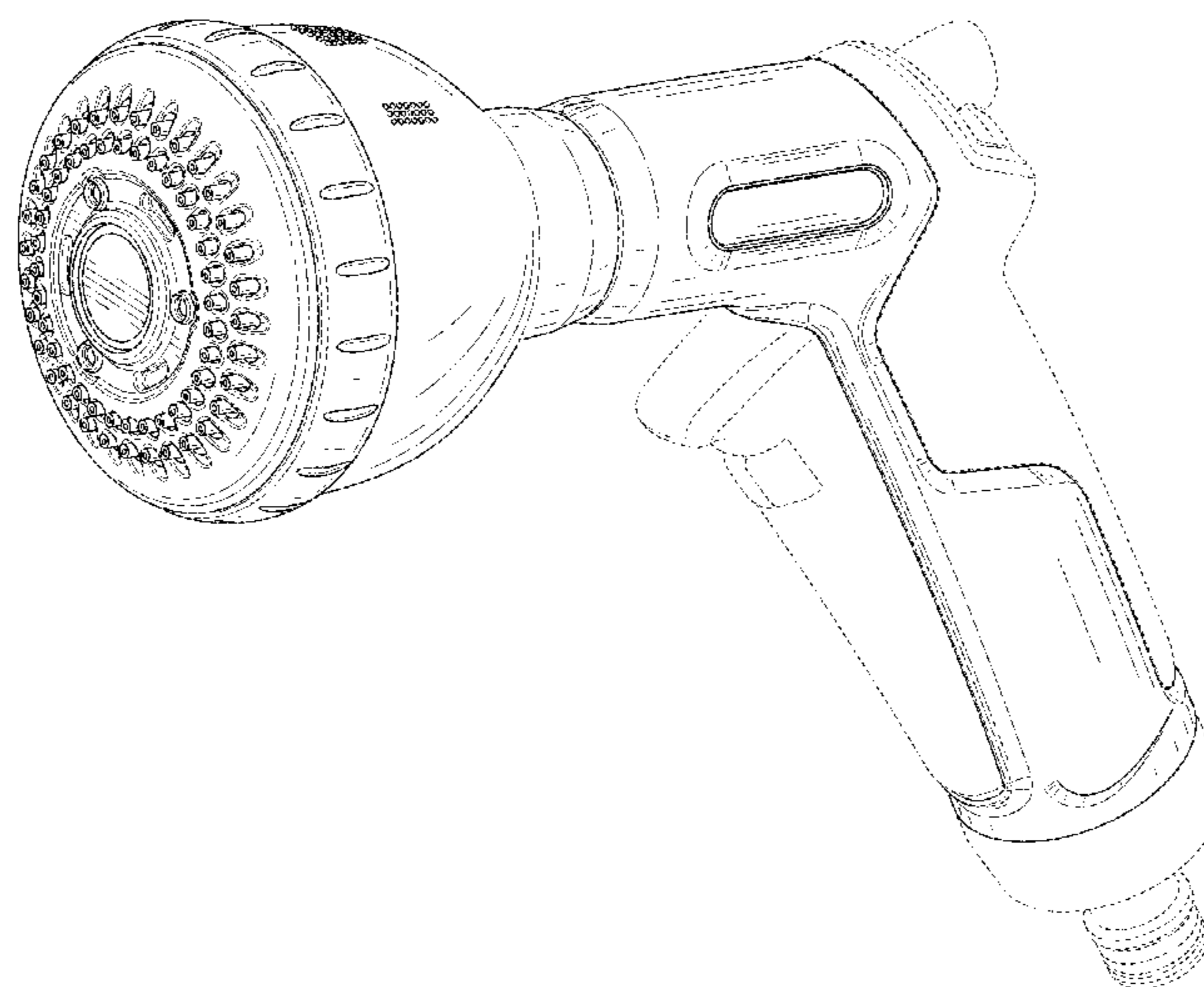
**DESCRIPTION**

FIG. 1 is a perspective view of a sprayer in accordance with an embodiment of the present invention;  
FIG. 2 is a front view of the sprayer of FIG. 1;  
FIG. 3 is a back view of the sprayer of FIG. 1;  
FIG. 4 is a right side view of the sprayer of FIG. 1;  
FIG. 5 is a left side view of the sprayer of FIG. 1;  
FIG. 6 is a top view of the sprayer of FIG. 1; and,  
FIG. 7 is a bottom view of the sprayer of FIG. 1.  
The broken lines of FIGS. 1-7 illustrate portions of the sprayer which form no part of the claimed design.

**1 Claim, 7 Drawing Sheets**

(56) **References Cited**  
U.S. PATENT DOCUMENTS

D406,679 S \* 3/1999 DePalma ..... D32/29.1  
D443,029 S 5/2001 Kollmann et al.  
D471,253 S 3/2003 Tse  
D517,645 S \* 3/2006 Chang ..... D23/226  
D526,382 S \* 8/2006 Thompson ..... D23/208  
D548,392 S \* 8/2007 Lo ..... D23/226  
D559,353 S \* 1/2008 Chih ..... D23/226  
D559,354 S \* 1/2008 Chih ..... D23/226  
D674,463 S \* 1/2013 Wilder ..... D23/209



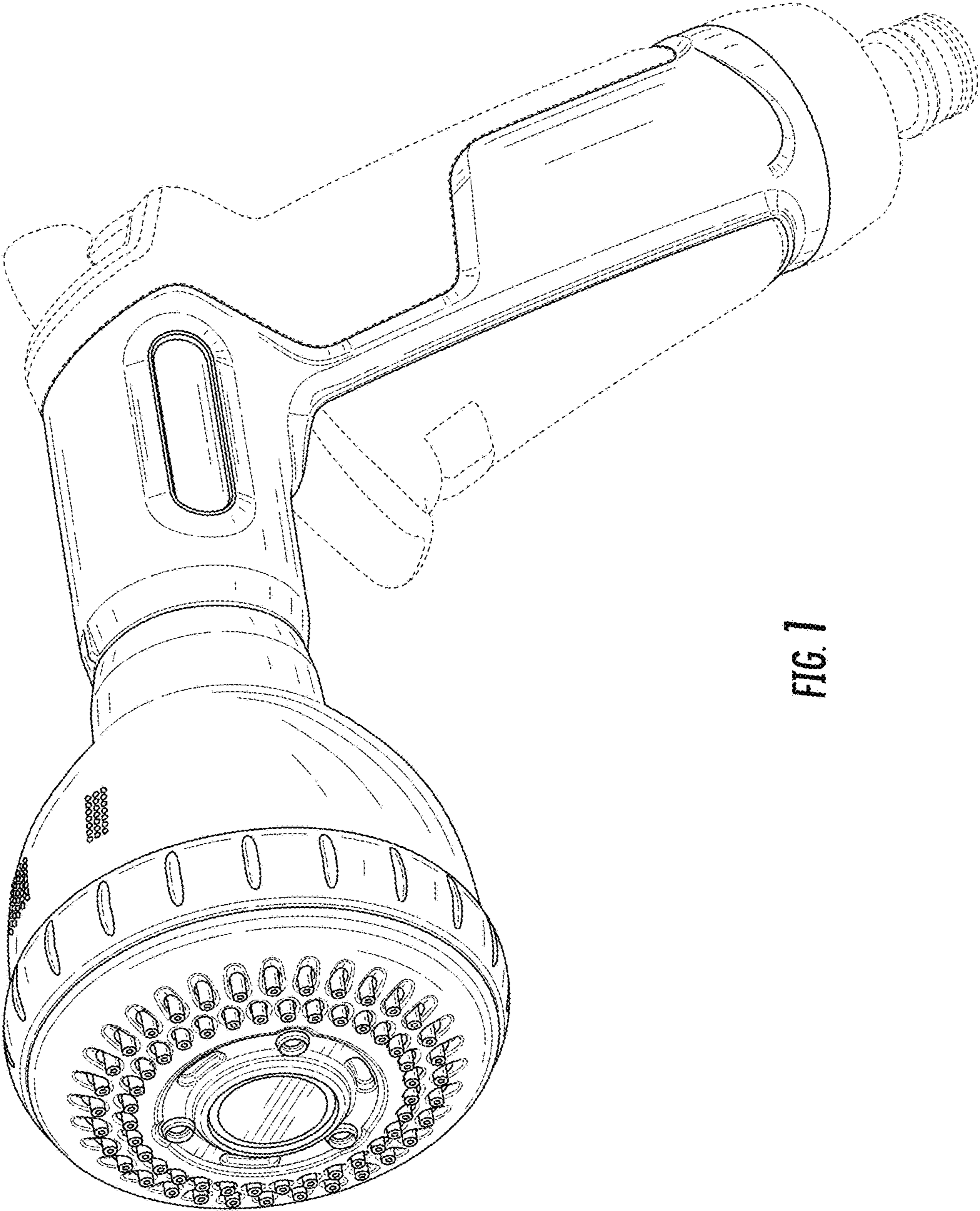


FIG. 1

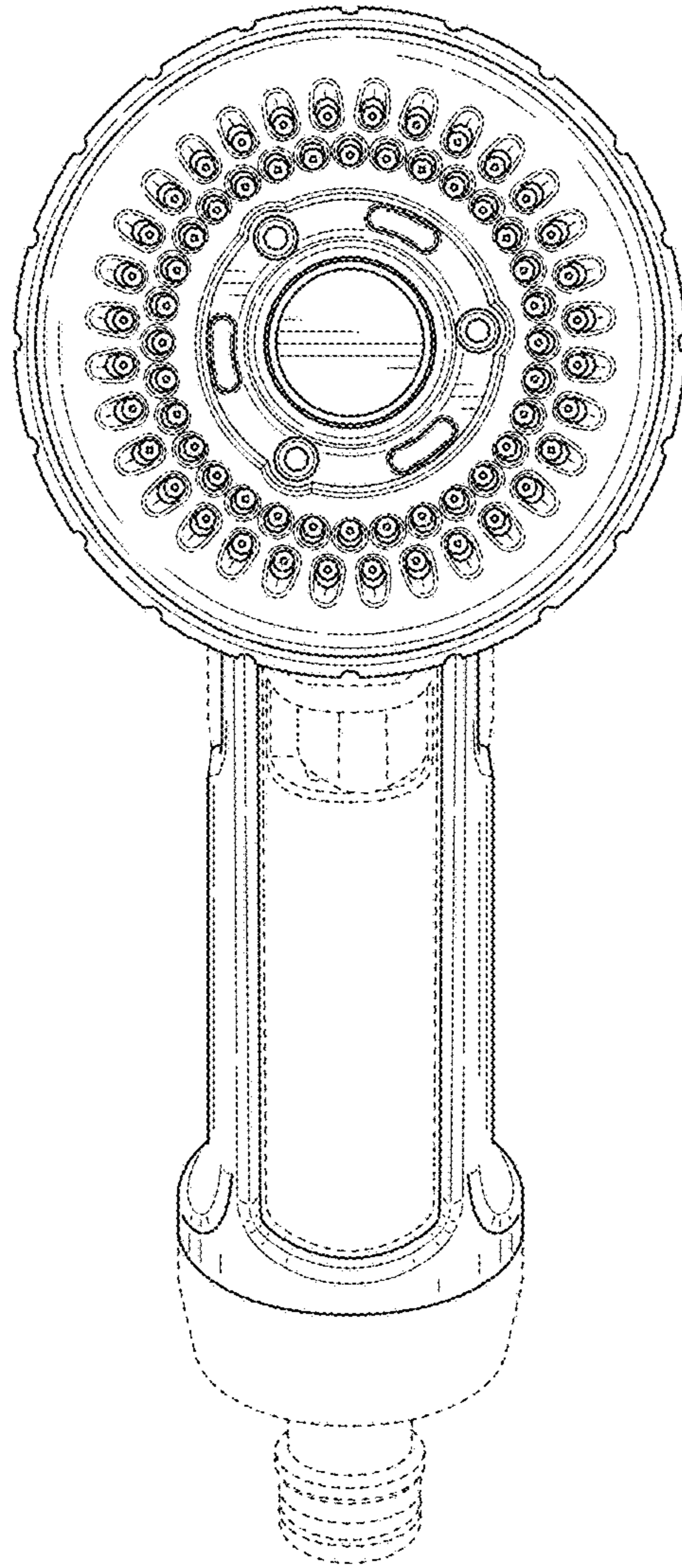


FIG. 2

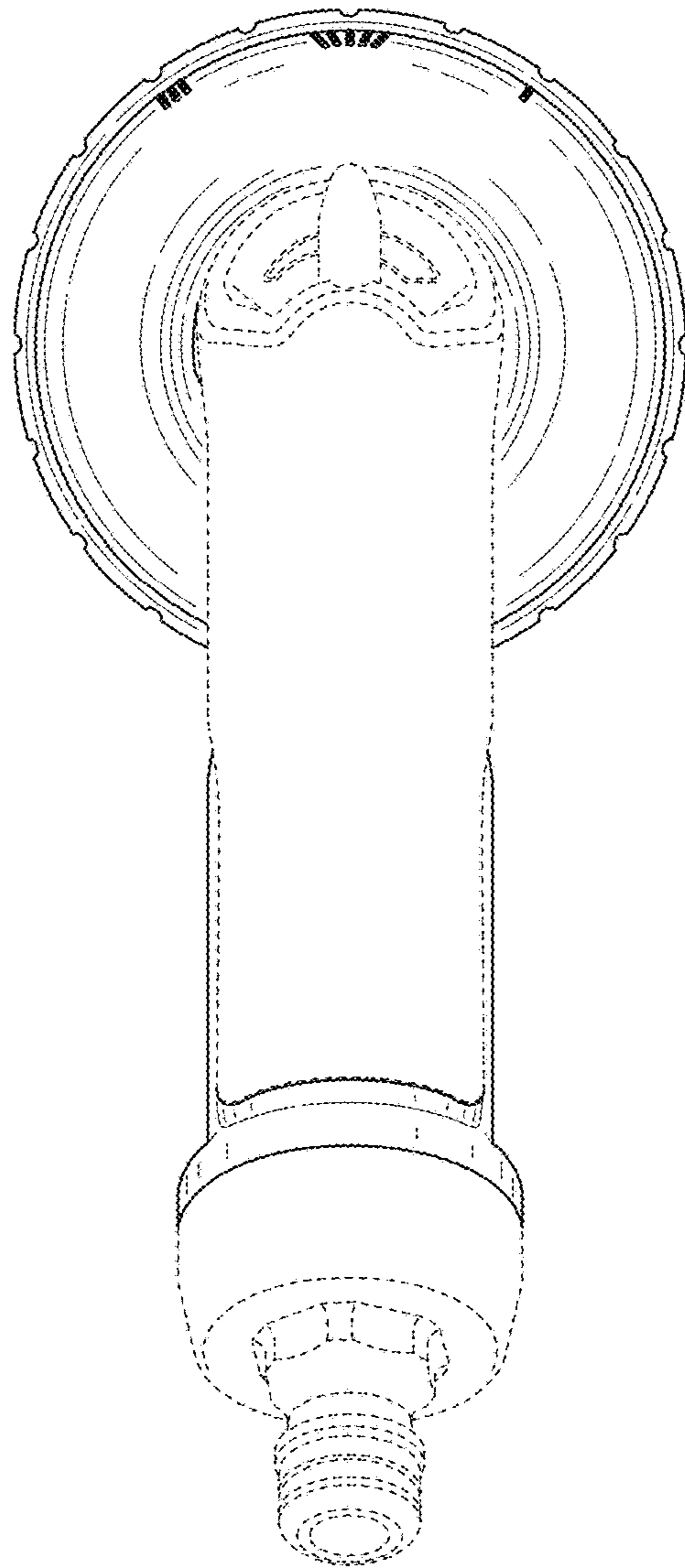


FIG. 3

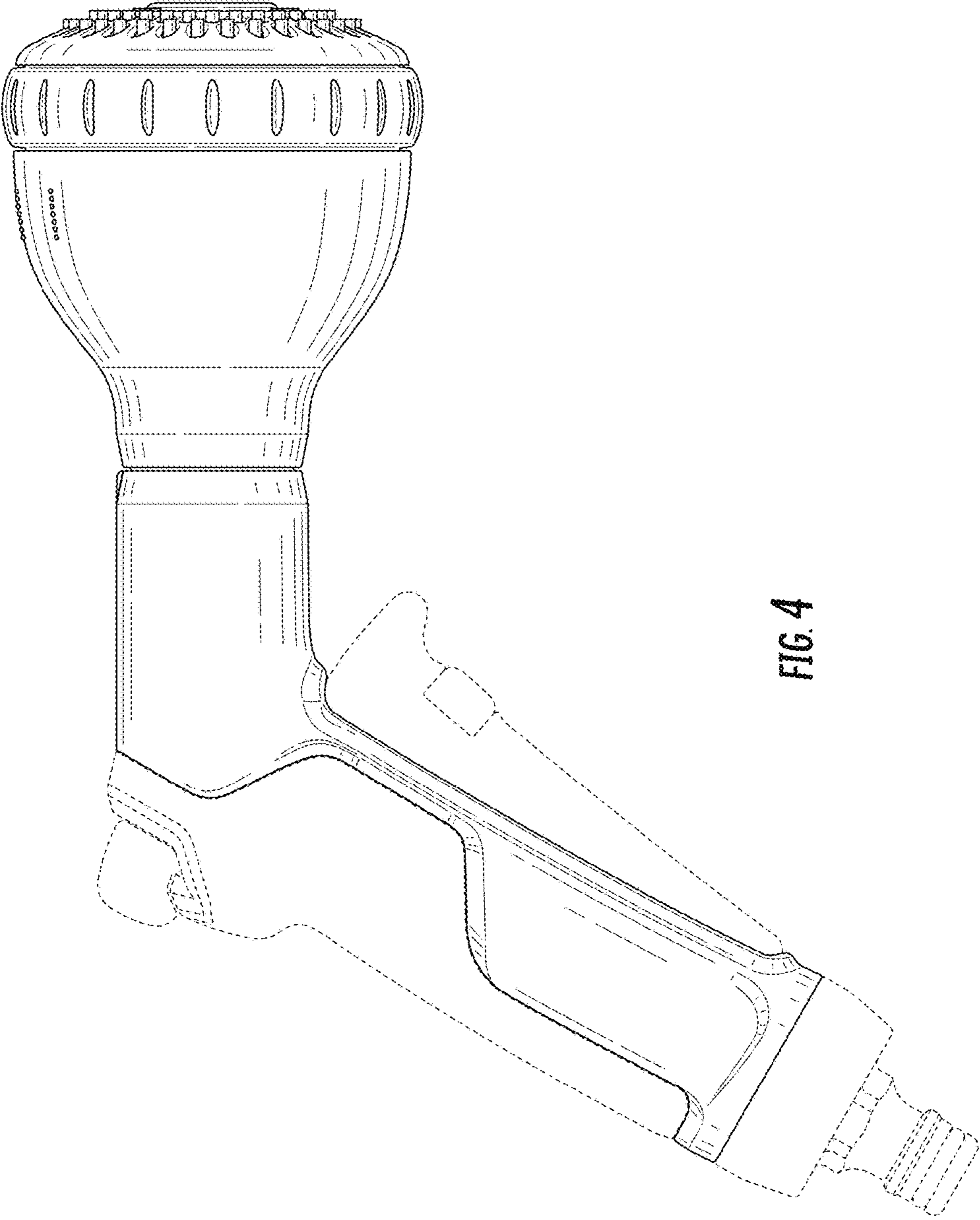


FIG. 4

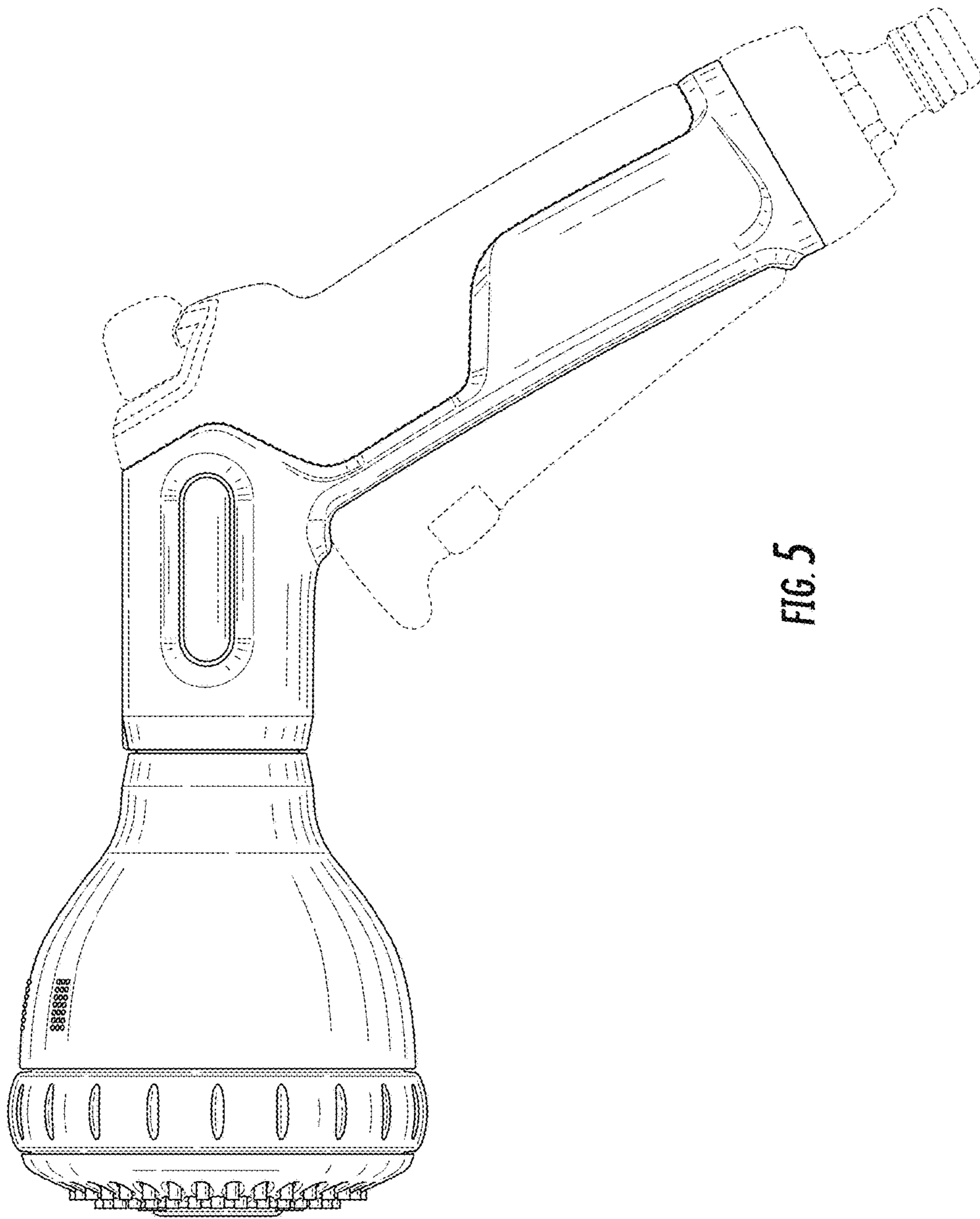


FIG. 5

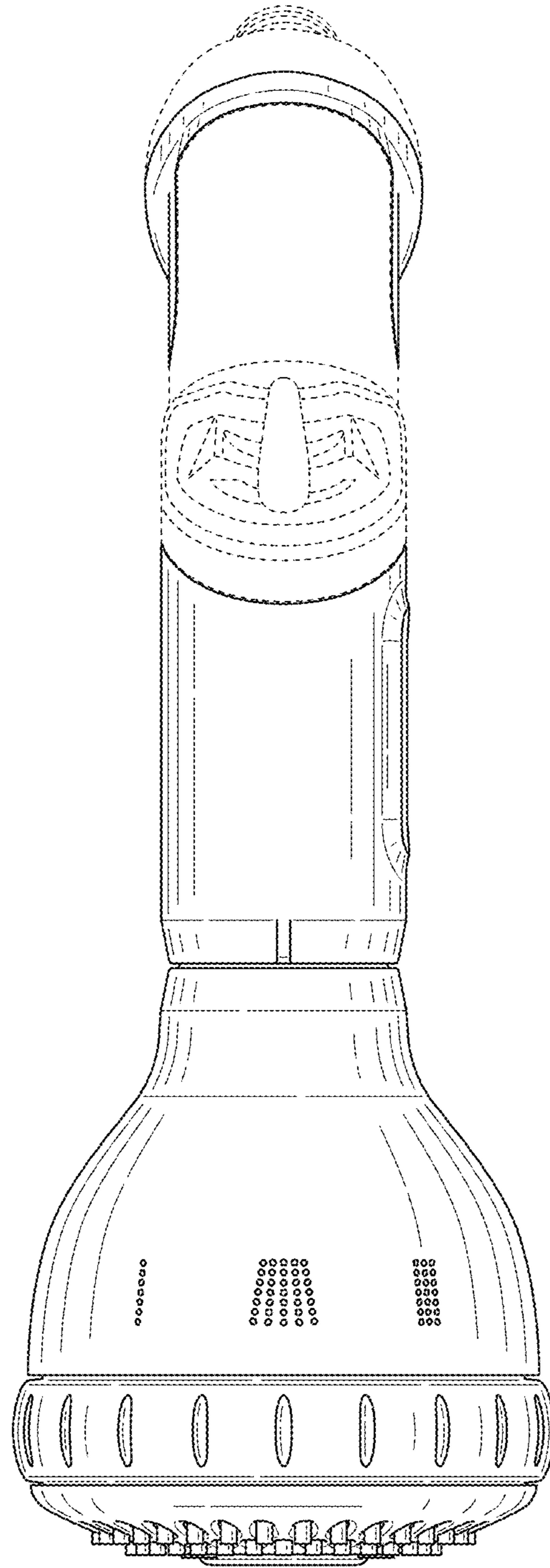


FIG. 6

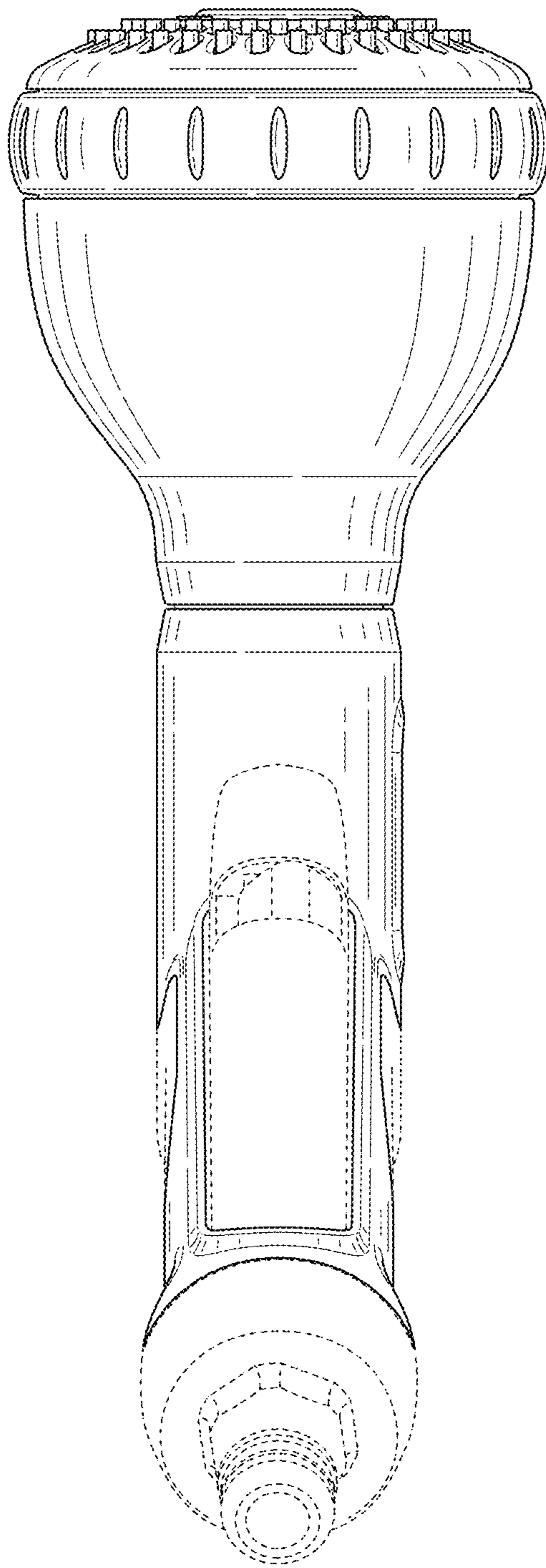


FIG. 7