



US00D802091S

(12) **United States Design Patent** (10) **Patent No.:** **US D802,091 S**
Bahler (45) **Date of Patent:** **** Nov. 7, 2017**

(54) **FAUCET WAND**
(71) Applicant: **DELTA FAUCET COMPANY**,
Indianapolis, IN (US)
(72) Inventor: **Jordan Bahler**, Frankfort, IN (US)
(73) Assignee: **DELTA FAUCET COMPANY**,
Indianapolis, IN (US)
(**) Term: **15 Years**
(21) Appl. No.: **29/582,972**
(22) Filed: **Nov. 1, 2016**
(51) **LOC (10) Cl.** **23-01**
(52) **U.S. Cl.**
USPC **D23/213; D23/257**
(58) **Field of Classification Search**
USPC D23/213, 223, 226, 228, 229, 230, 304,
D23/532, 255, 257; 239/436, 447, 587.1
CPC B05B 15/066; B05B 1/18; B05B 1/00;
B05B 15/061; B05B 9/01; A47K 3/28;
E03C 1/06; E03C 1/046
See application file for complete search history.

D516,165 S * 2/2006 Zhang D23/213
D550,326 S * 9/2007 Huang D23/213
D646,353 S * 10/2011 Yoo D23/213
D646,761 S * 10/2011 Sedwick D23/255
D701,942 S * 4/2014 Flowers D23/213
D704,800 S * 5/2014 Hahn D23/213
D719,242 S * 12/2014 Kim D23/255
D754,301 S * 4/2016 Bahler D23/255
D758,552 S * 6/2016 Rexach D23/255

* cited by examiner

Primary Examiner — Robin V Webster
(74) *Attorney, Agent, or Firm* — Edgar A. Zarins; Nirav D. Parikh

(57) **CLAIM**

The ornamental design for a faucet wand, as shown and described.

DESCRIPTION

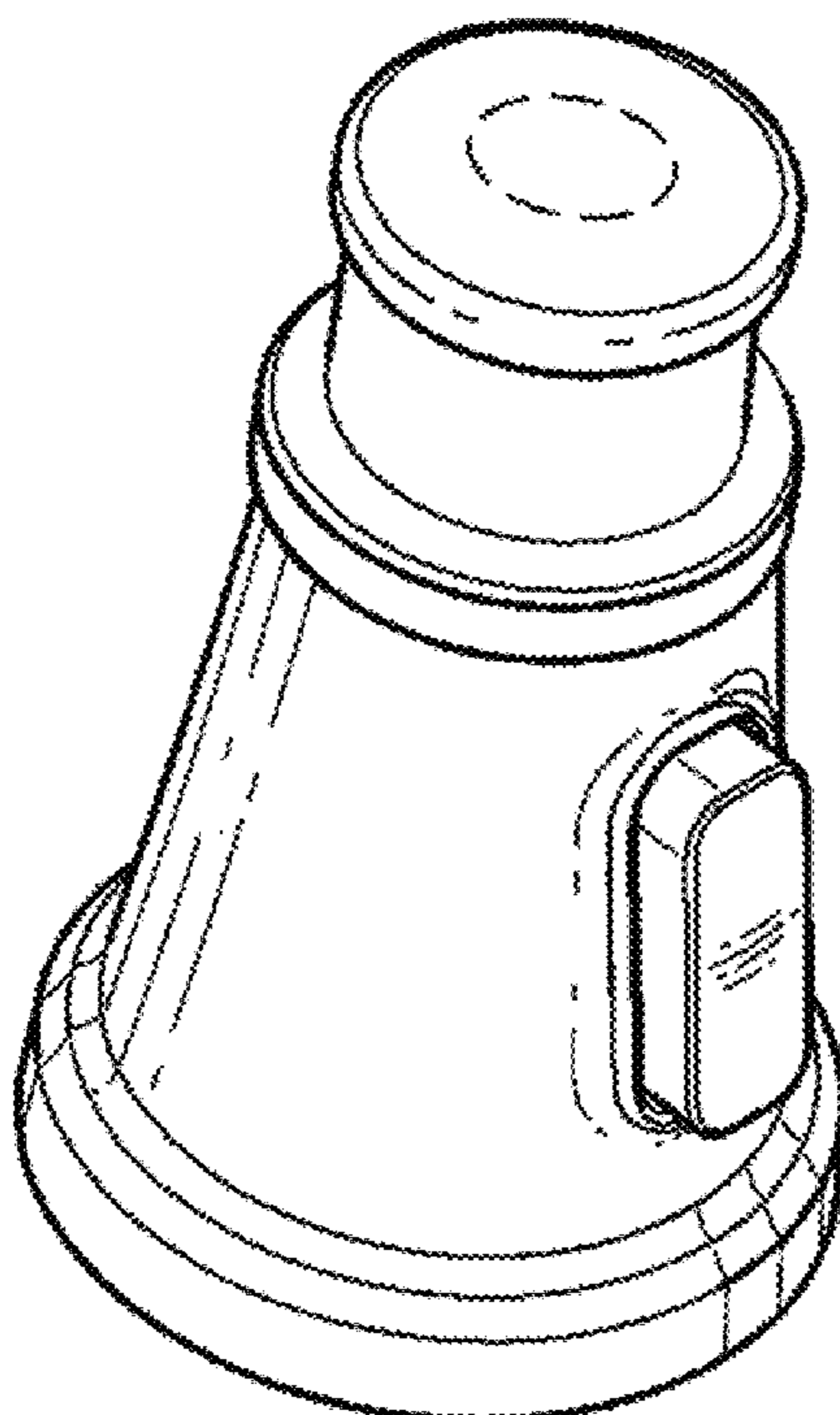
FIG. 1 is a perspective view of a faucet wand showing my new design;
FIG. 2 is second perspective view thereof;
FIG. 3 is a side elevation view thereof;
FIG. 4 is a fourth perspective view thereof;
FIG. 5 is a top perspective view thereof; and,
FIG. 6 is a bottom view thereof.
The broken line showing of environment in FIGS. 1 and 4-6 is included for the purpose of illustrating and forms no part of the claimed design.

(56) **References Cited**

U.S. PATENT DOCUMENTS

D420,726 S * 2/2000 Slothower D23/257
D487,135 S * 2/2004 Lord D23/245

1 Claim, 1 Drawing Sheet



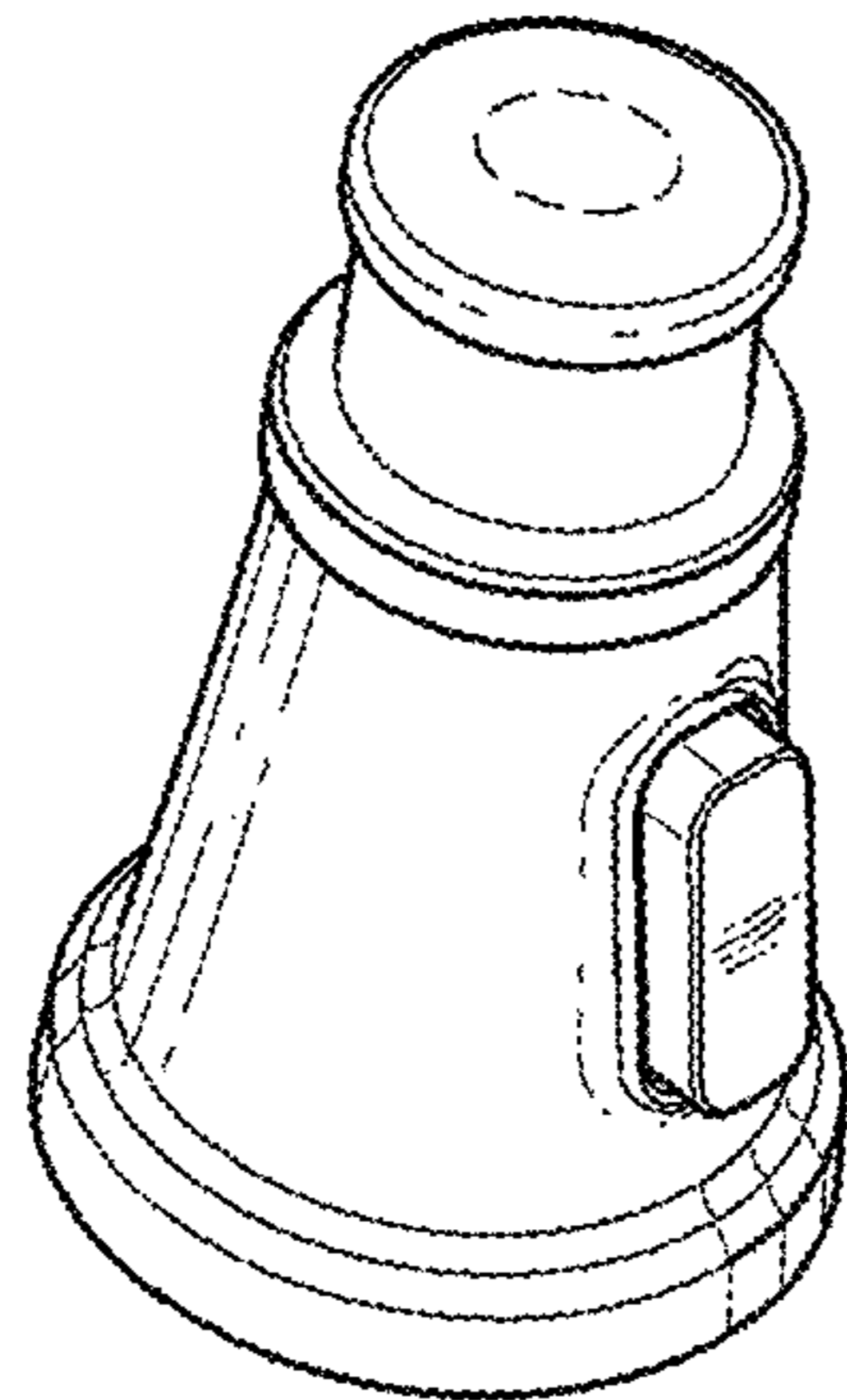


Fig-1

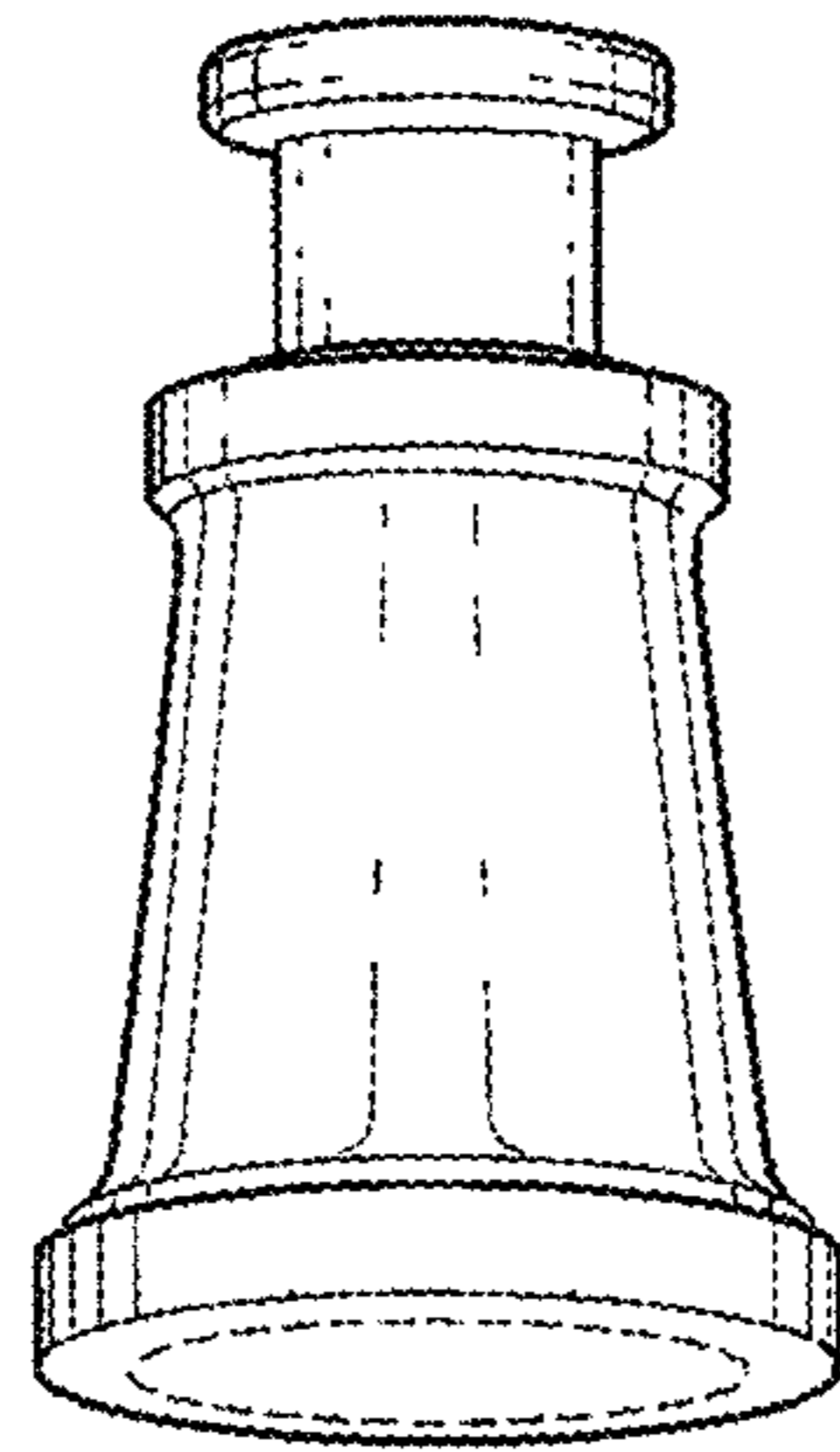


Fig-2

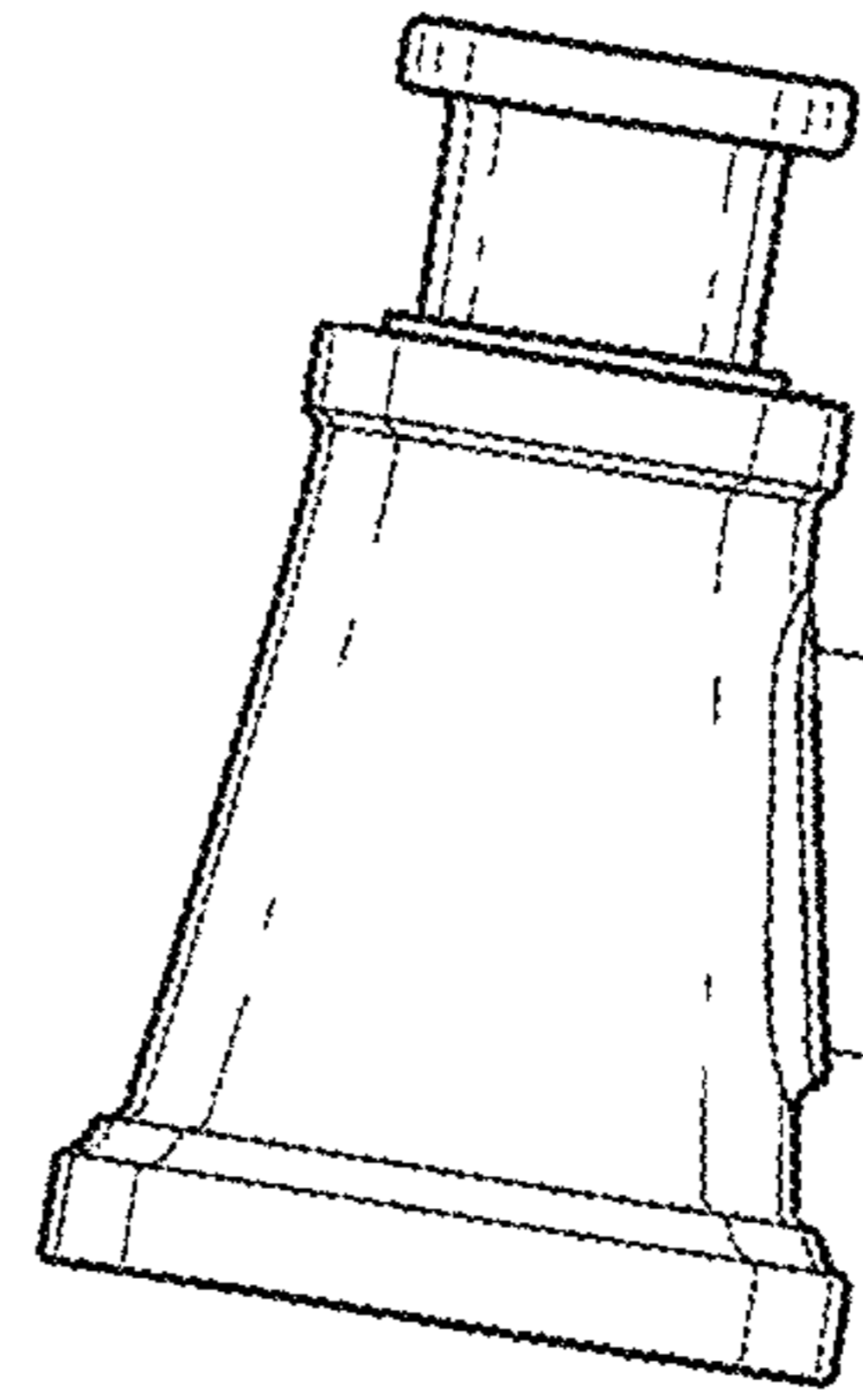


Fig-3

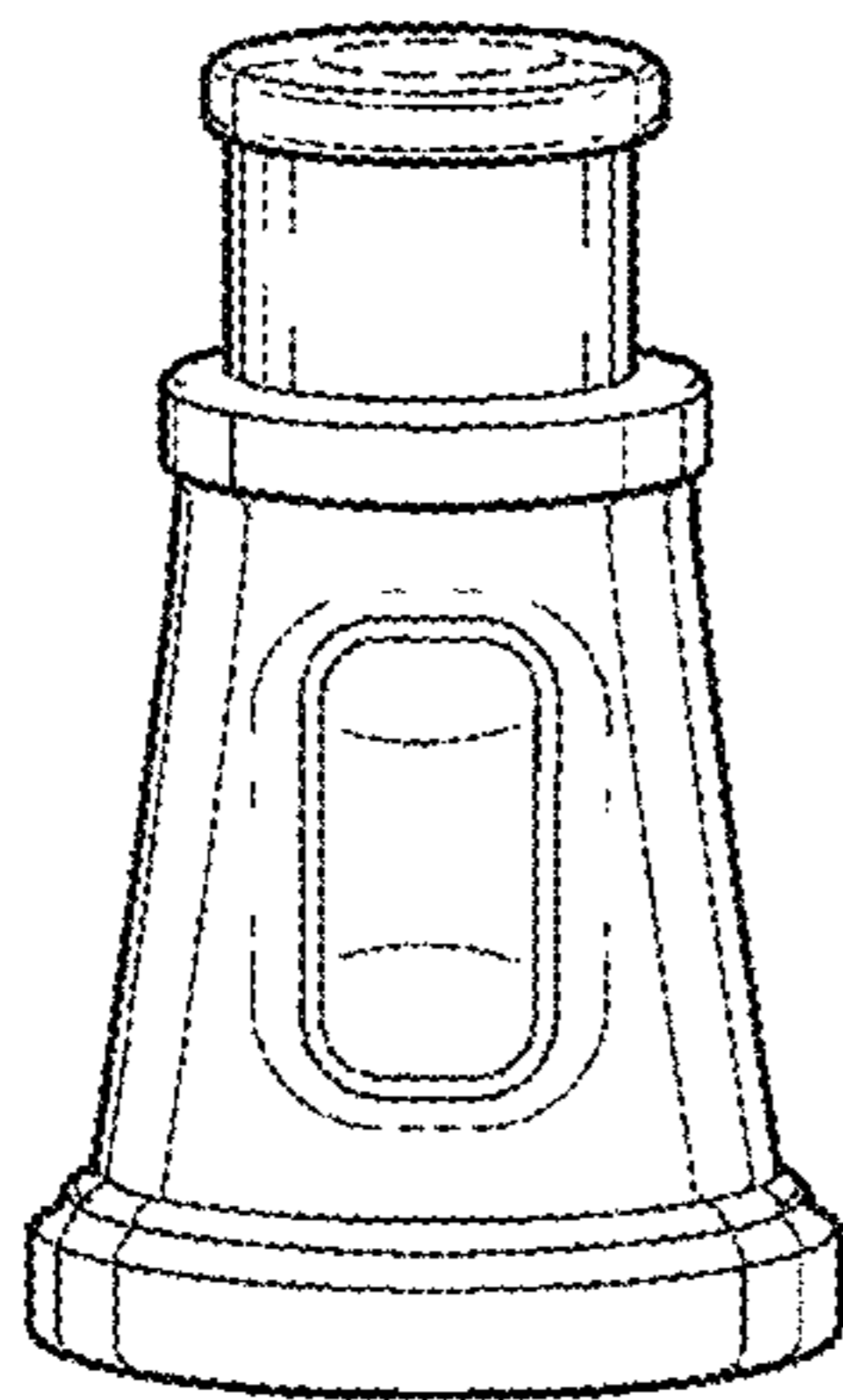


Fig-4

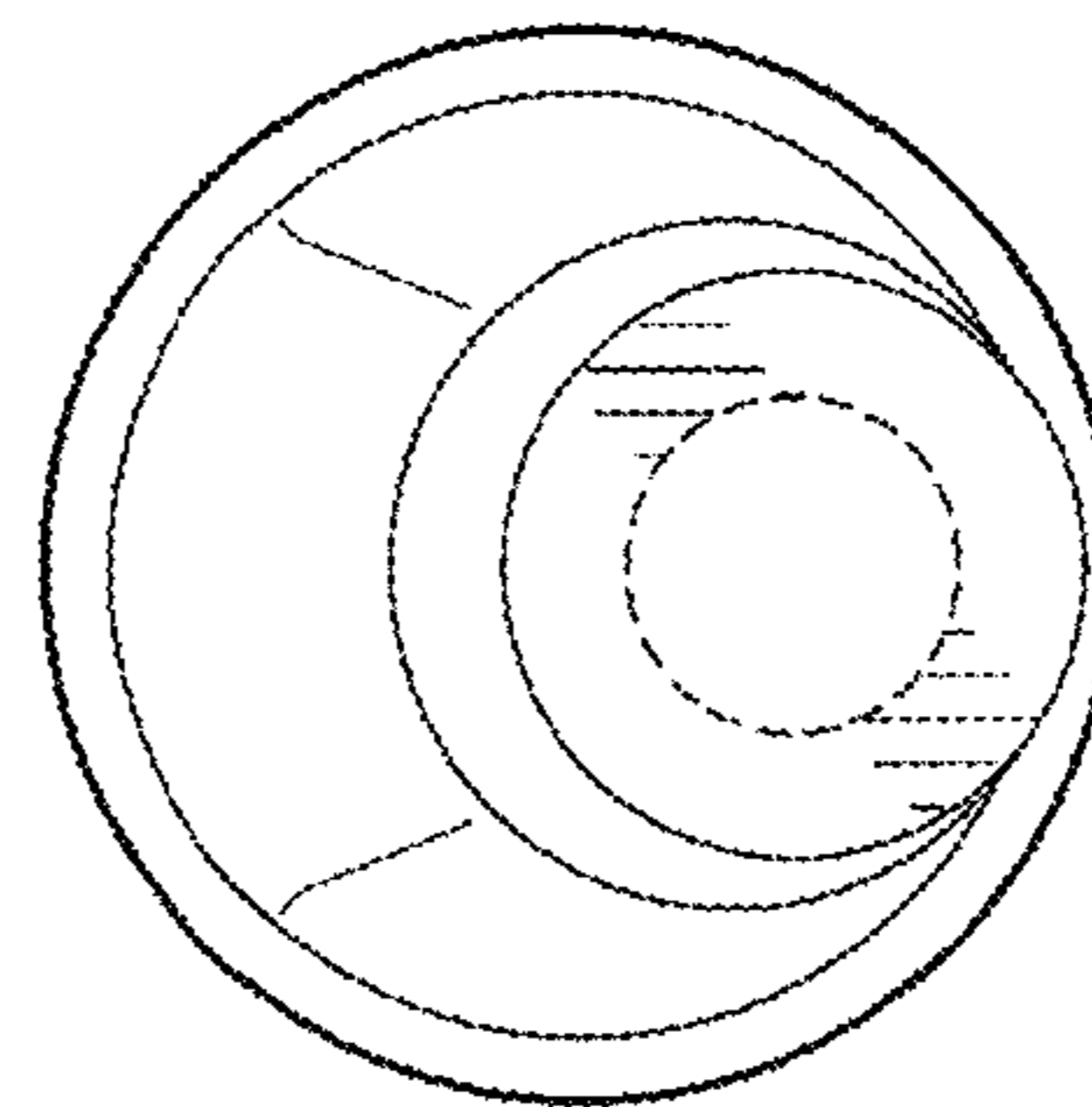


Fig-5

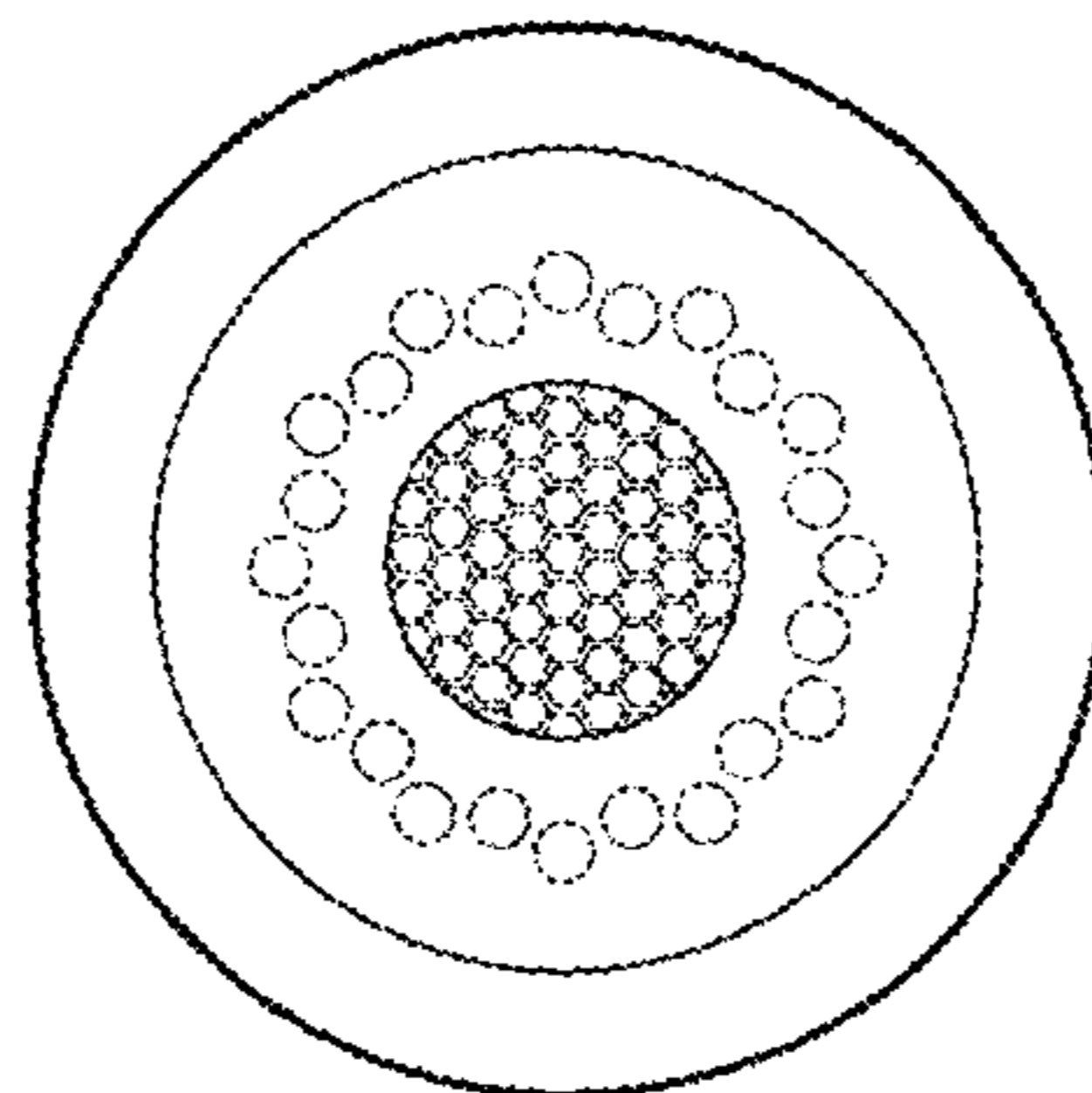


Fig-6