



US00D802090S

(12) **United States Design Patent**
Mercer

(10) **Patent No.:** **US D802,090 S**
(45) **Date of Patent:** **** Nov. 7, 2017**

- (54) **WATER SPOUT**
- (71) Applicant: **Robert Mercer**, Orlando, FL (US)
- (72) Inventor: **Robert Mercer**, Orlando, FL (US)
- (73) Assignee: **Waterboy Sports, LLC**, Orlando, FL (US)
- (**) Term: **15 Years**
- (21) Appl. No.: **29/570,897**
- (22) Filed: **Jul. 13, 2016**
- (51) **LOC (10) Cl.** **23-01**
- (52) **U.S. Cl.**
USPC **D23/213**
- (58) **Field of Classification Search**
USPC D23/213, 223, 225, 201; 23/24, 25
CPC E03B 9/20
See application file for complete search history.

- 1,236,101 A * 8/1917 Newton E03B 9/20
239/24
- 2,089,894 A * 8/1937 Way E03B 9/20
239/31
- D565,151 S * 3/2008 Brown D23/213

* cited by examiner

Primary Examiner — Robin V Webster

(74) *Attorney, Agent, or Firm* — Jason T. Daniel, Esq.;
Daniel Law Offices, P.A.

(56) **References Cited**
U.S. PATENT DOCUMENTS

- 970,213 A * 9/1910 Goebel E03B 9/20
239/24
- 1,032,589 A * 7/1912 Cooke E03B 9/20
239/29

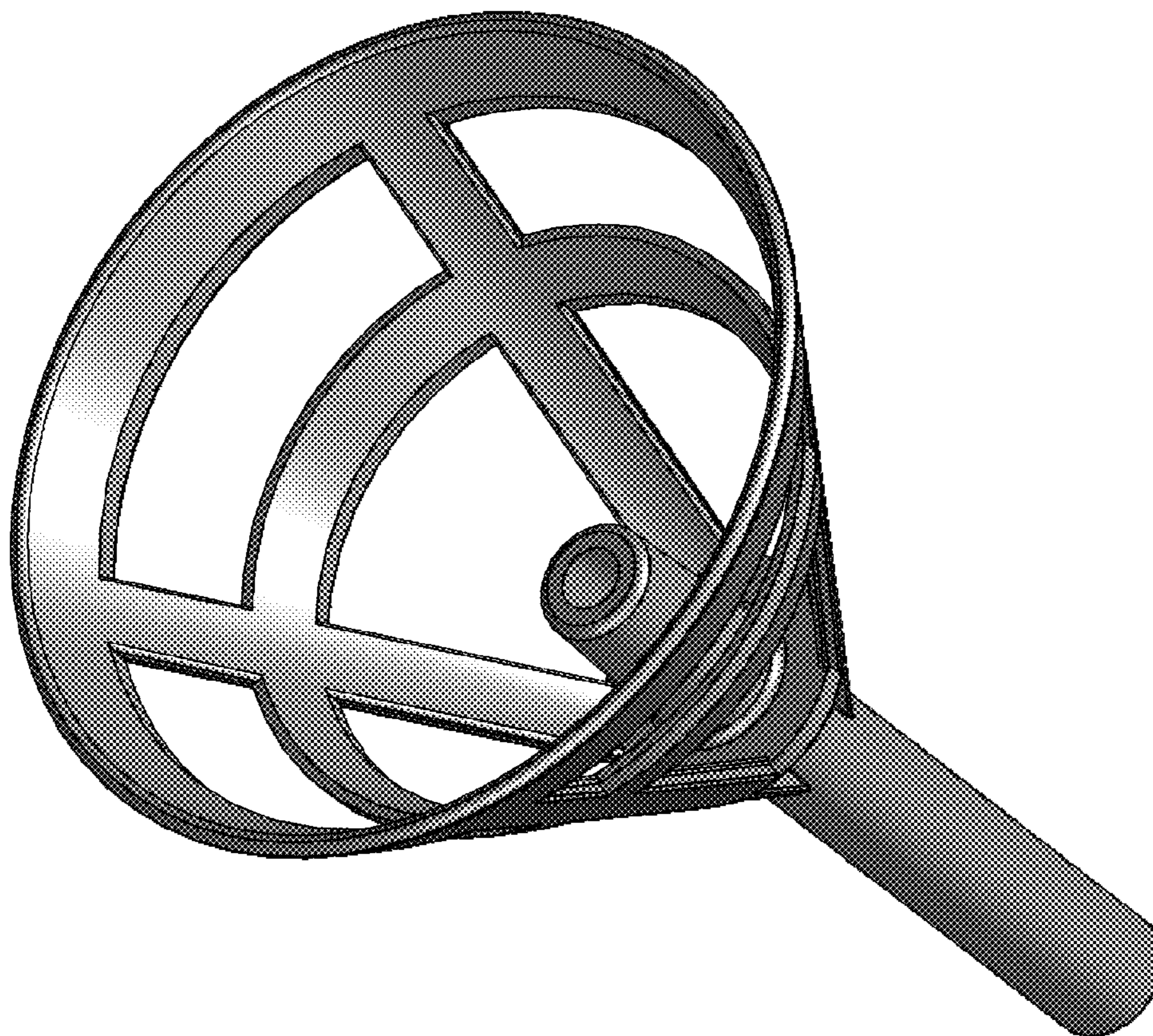
(57) **CLAIM**

The ornamental design for a water spout, as shown and described.

DESCRIPTION

FIG. 1 is a perspective view thereof,
FIG. 2 is a top view thereof,
FIG. 3 is a bottom view thereof; and,
FIG. 4 is a front side view thereof.
The left side, right side and the back side are symmetrical to the front side.

1 Claim, 4 Drawing Sheets



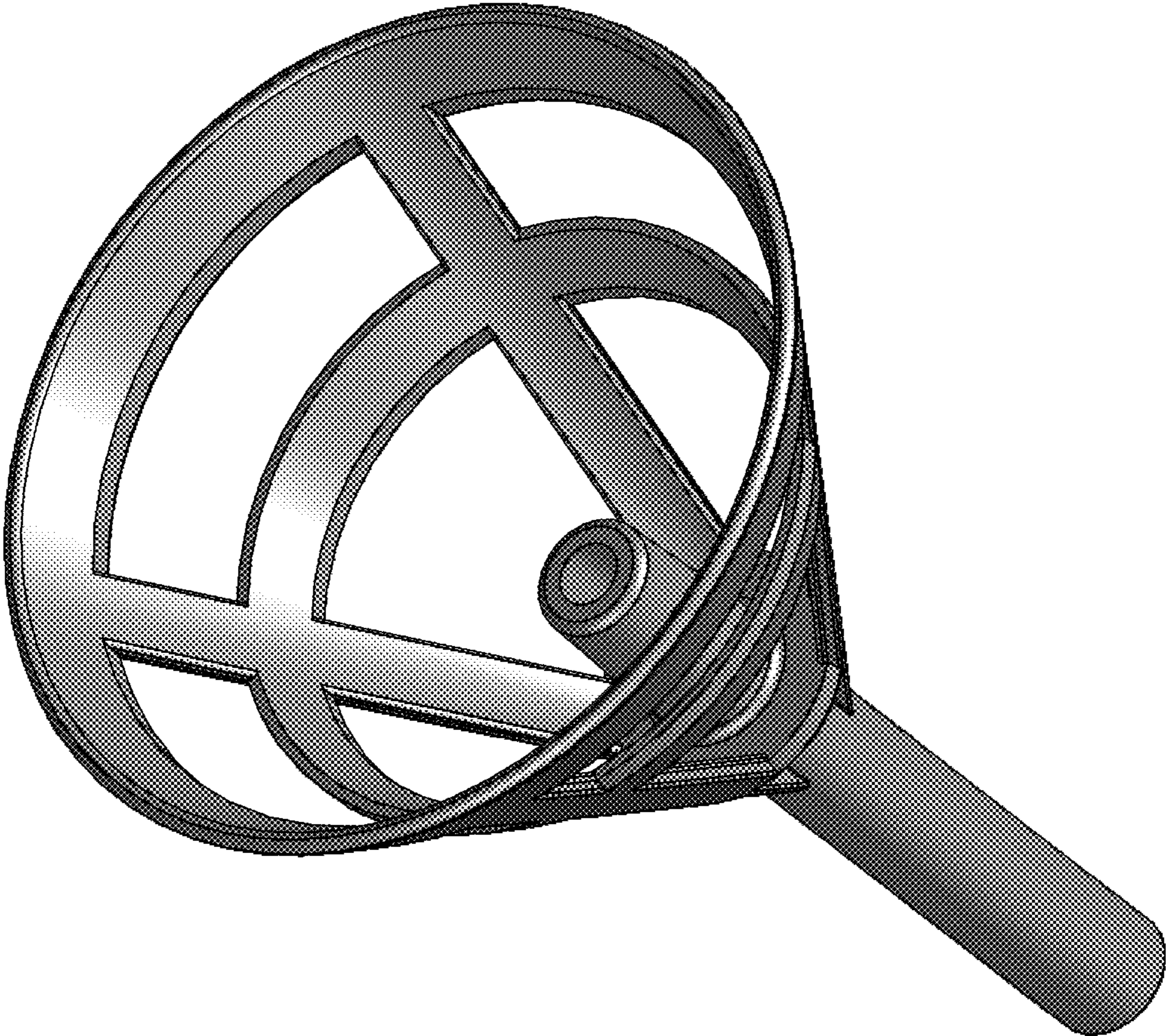


FIG. 1

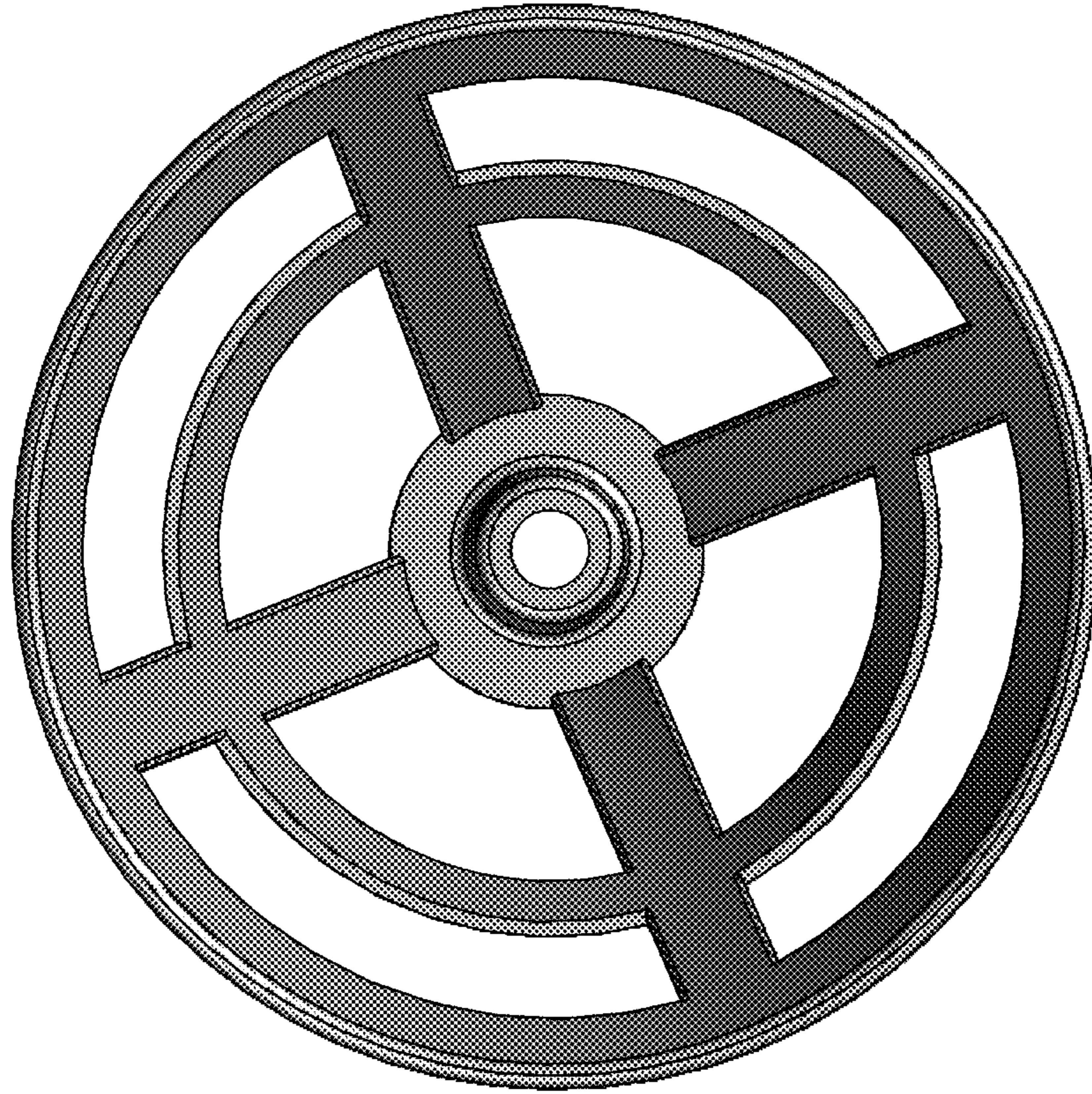


FIG. 2

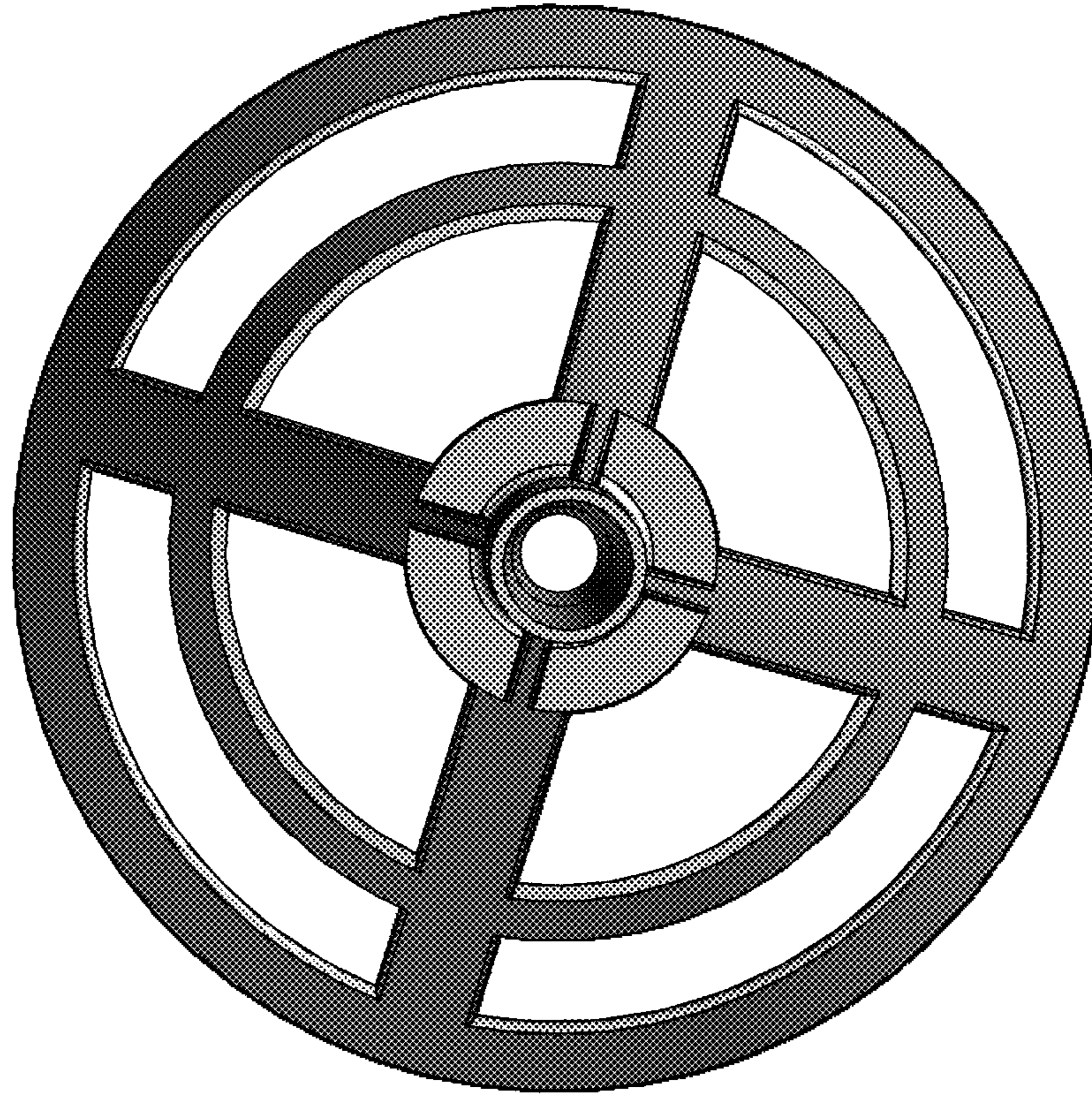


FIG. 3

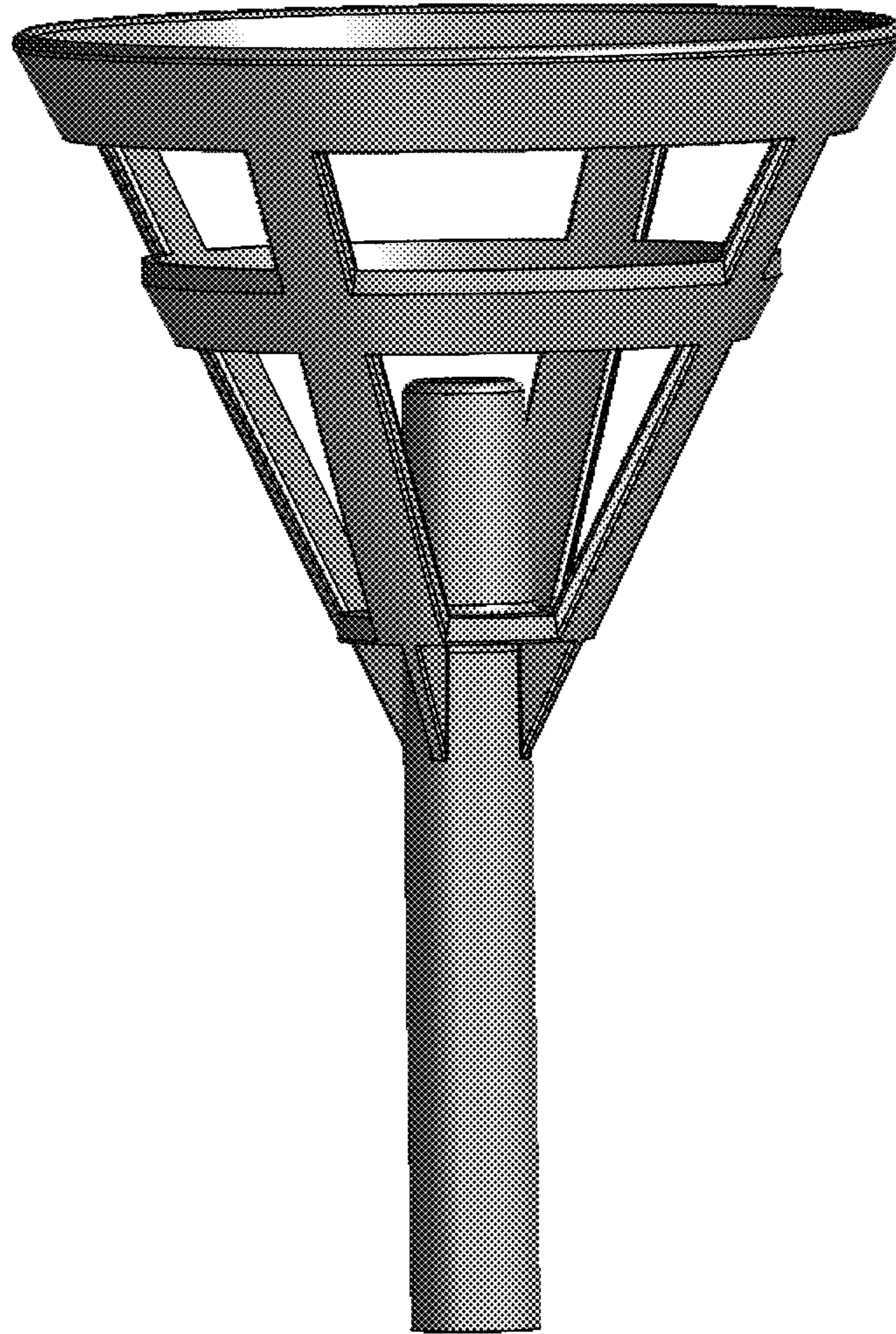


FIG. 4