



US00D802087S

(12) **United States Design Patent**  
**Bos et al.**

(10) **Patent No.:** **US D802,087 S**  
(45) **Date of Patent:** **\*\* Nov. 7, 2017**

(54) **DISPENSER FOR A SANITARY APPLIANCE**

(71) Applicant: **Reckitt Benckiser LLC**

(72) Inventors: **Randy Bos**, Eindhoven (NL);  
**Sebastiaan Bruining**, Eindhoven (NL);  
**Jacques Donker**, Eindhoven (NL)

(73) Assignee: **Reckitt Benckiser LLC.**, Parsippany,  
NJ (US)

(\*\*) Term: **15 Years**

(21) Appl. No.: **29/584,990**

(22) Filed: **Nov. 18, 2016**

(30) **Foreign Application Priority Data**

Jun. 1, 2016 (EP) ..... 003165414-0001  
Jun. 1, 2016 (EP) ..... 003165414-0002  
Jun. 1, 2016 (EP) ..... 003165414-0003  
Jun. 1, 2016 (EP) ..... 003165414-0004

(51) **LOC (10) Cl.** ..... **23-02**

(52) **U.S. Cl.**  
USPC ..... **D23/208; D32/75**

(58) **Field of Classification Search**  
USPC ..... D32/75; D23/215, 75, 212, 208, 368;  
D7/591, 615, 596; D9/502, 504, 523;  
222/480, 541.6; 4/213, 223, 227.1;  
523/102; 510/191  
CPC ..... D06F 5/005; D06F 5/02; D06F 87/005;  
E03D 9/052; E03D 9/032; C11D 1/22;  
C11D 17/043; C11D 3/2044; C11D 3/43;  
C11D 1/83; C11D 1/72; C11D 17/0056  
See application file for complete search history.

(56) **References Cited**

**U.S. PATENT DOCUMENTS**

D113,680 S \* 3/1939 Opp ..... D32/75  
D464,107 S \* 10/2002 Holmes ..... D23/208

D583,902 S \* 12/2008 Cheung ..... D23/208  
D594,953 S \* 6/2009 King ..... D23/366  
D646,769 S \* 10/2011 Angel ..... D23/366  
8,051,503 B2 \* 11/2011 Nguyen ..... C11D 1/655  
4/223  
D689,664 S \* 9/2013 Dietvorst ..... D32/75  
8,695,124 B2 \* 4/2014 Hsu ..... E03D 9/03  
4/231  
D733,382 S \* 6/2015 Bos ..... D32/75  
D740,649 S \* 10/2015 Evans ..... D9/414  
D747,791 S \* 1/2016 Kaser ..... D24/104  
D752,198 S \* 3/2016 Zach ..... D23/208  
D752,733 S \* 3/2016 Zach ..... D23/208  
D754,814 S \* 4/2016 Warden ..... D23/208  
D758,091 S \* 6/2016 Ayats ..... D6/512  
D765,817 S \* 9/2016 Gerhards ..... D23/208  
D772,374 S \* 11/2016 Bruining ..... D23/208  
D772,375 S \* 11/2016 Bruining ..... D23/208  
D784,491 S \* 4/2017 Hale ..... D23/208  
D789,485 S \* 6/2017 Hale ..... D23/208

(Continued)

*Primary Examiner* — Austin Murphy

(74) *Attorney, Agent, or Firm* — Norris McLaughlin &  
Marcus PA

(57) **CLAIM**

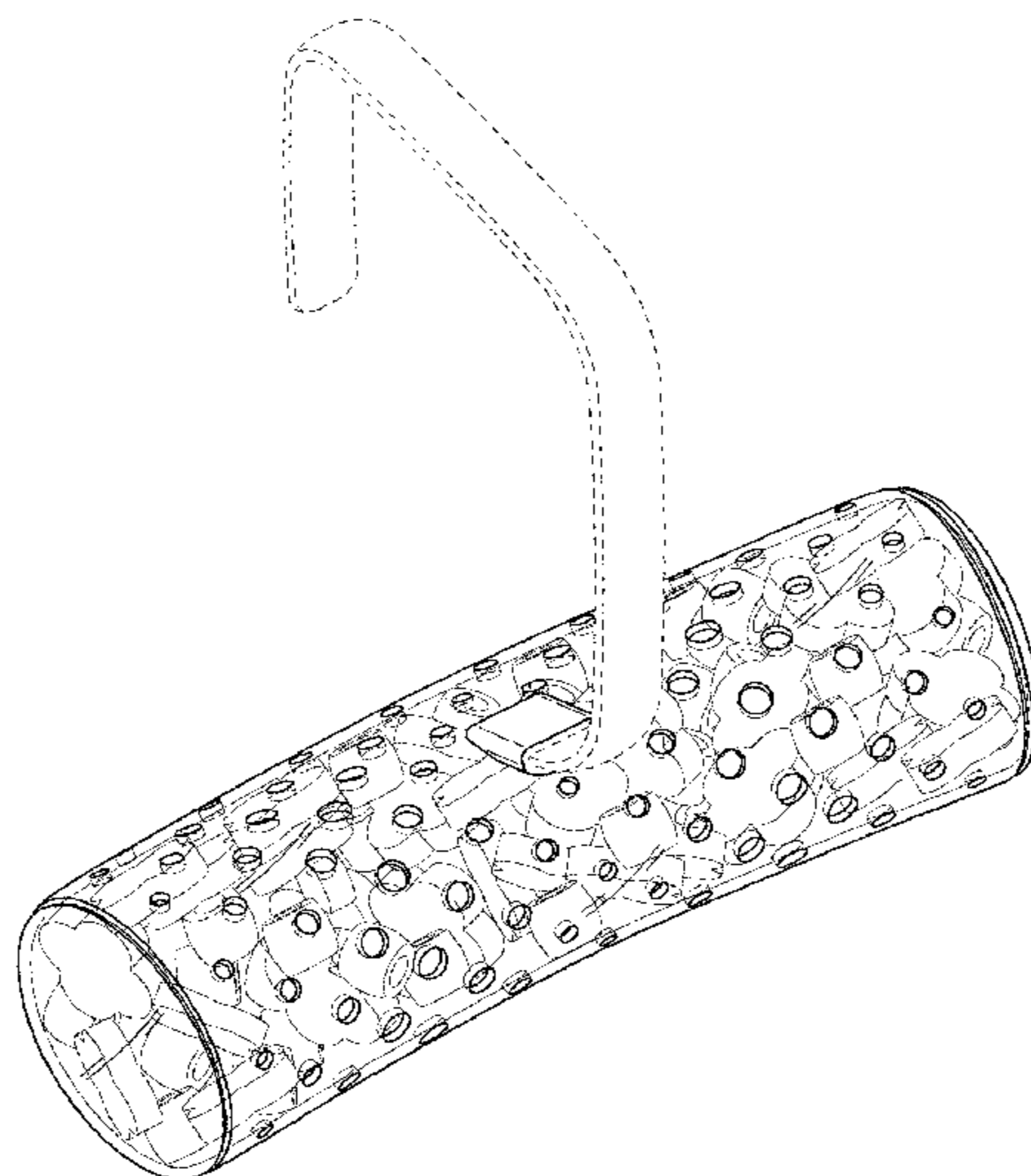
The ornamental design for a dispenser for a sanitary appli-  
ance, as shown and described.

**DESCRIPTION**

FIG. 1 is a frontal perspective view thereof;  
FIG. 2 is a frontal elevational view thereof;  
FIG. 3 is a rear elevational view thereof;  
FIG. 4 is a first side elevational view thereof;  
FIG. 5 is a second side elevational view thereof;  
FIG. 6 is a top plan view thereof; and,  
FIG. 7 is a bottom plan view thereof.

The portions of the design depicted in broken lines form no  
part of the claimed invention.

**1 Claim, 5 Drawing Sheets**



(56)

**References Cited**

U.S. PATENT DOCUMENTS

2002/0083514	A1*	7/2002	Lhoste .....	E03D 9/032 4/231
2010/0212074	A1*	8/2010	Burt .....	E03D 9/007 4/231
2010/0299818	A1*	12/2010	Lu .....	C11D 1/523 4/223
2013/0104304	A1*	5/2013	Wilson .....	E03D 9/032 4/231

\* cited by examiner

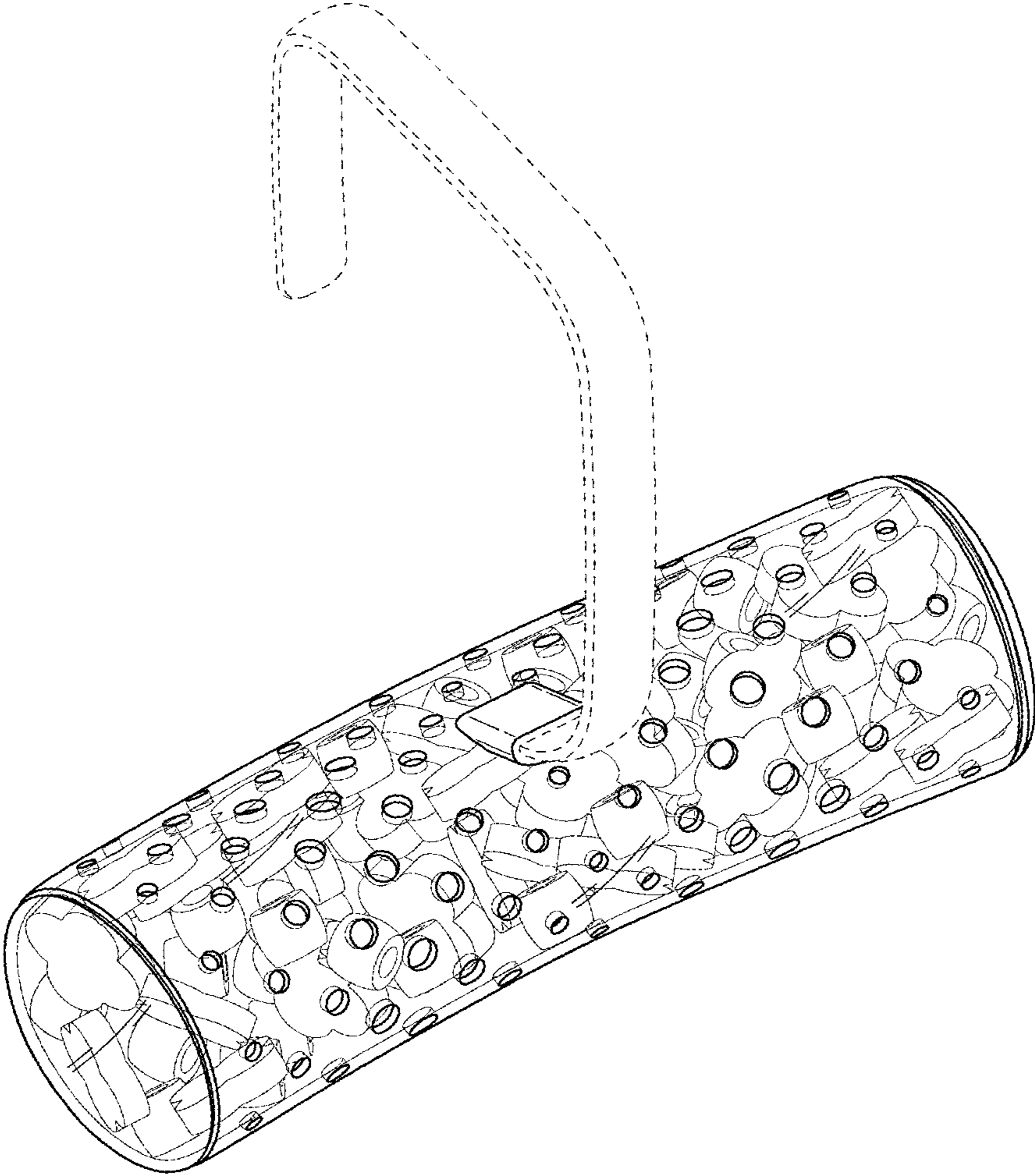


Fig. 1

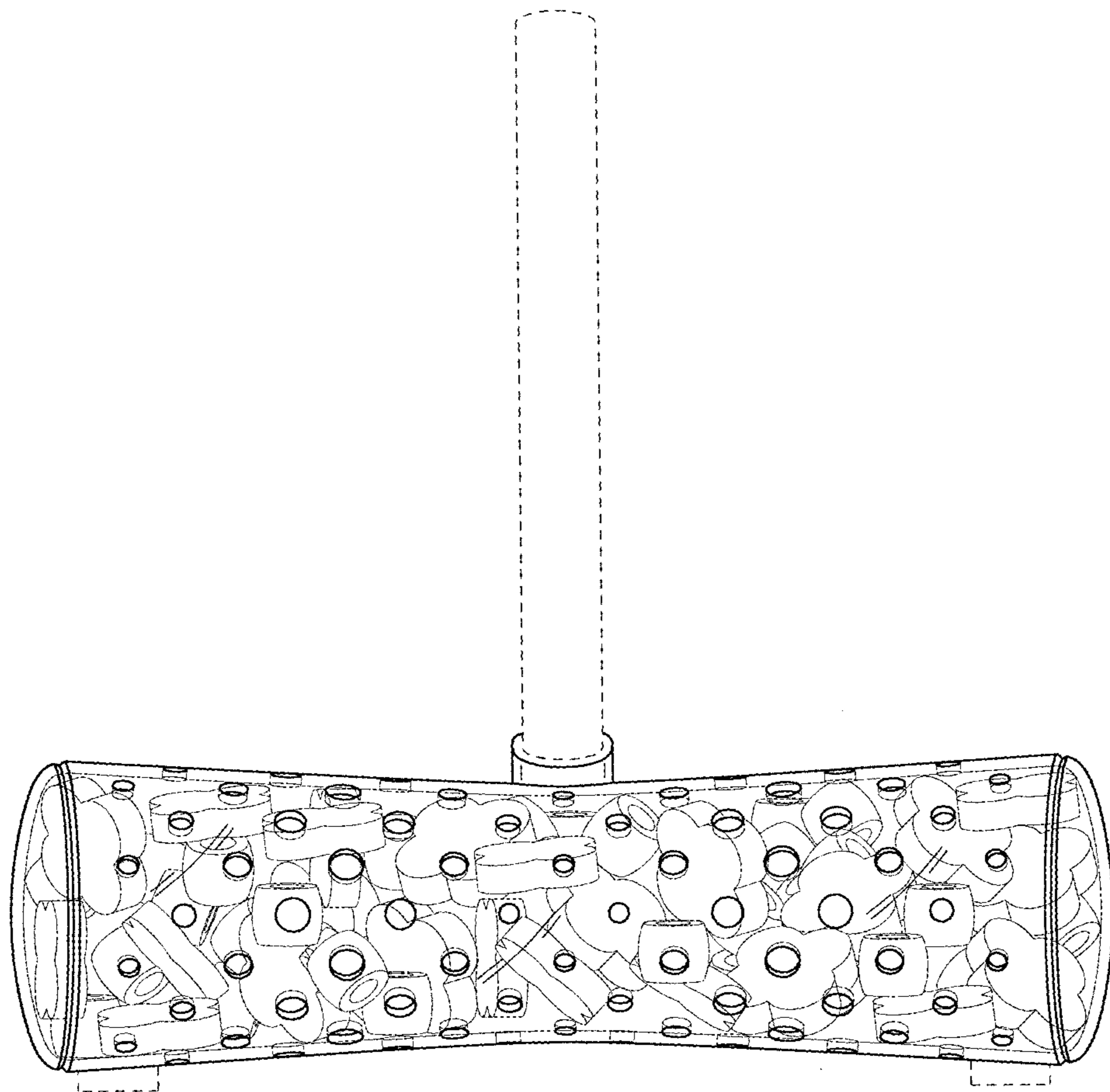


Fig. 2

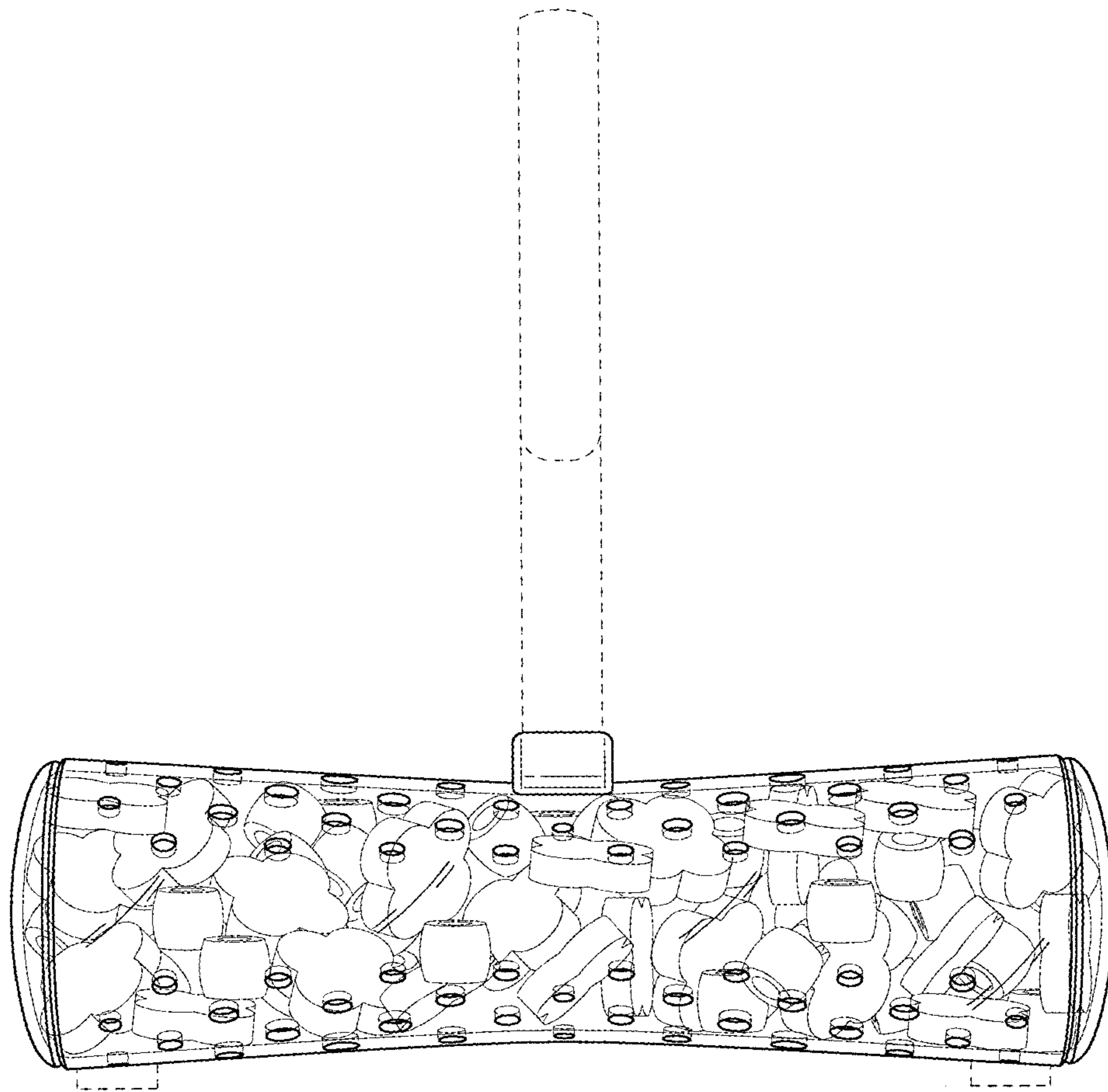


Fig. 3

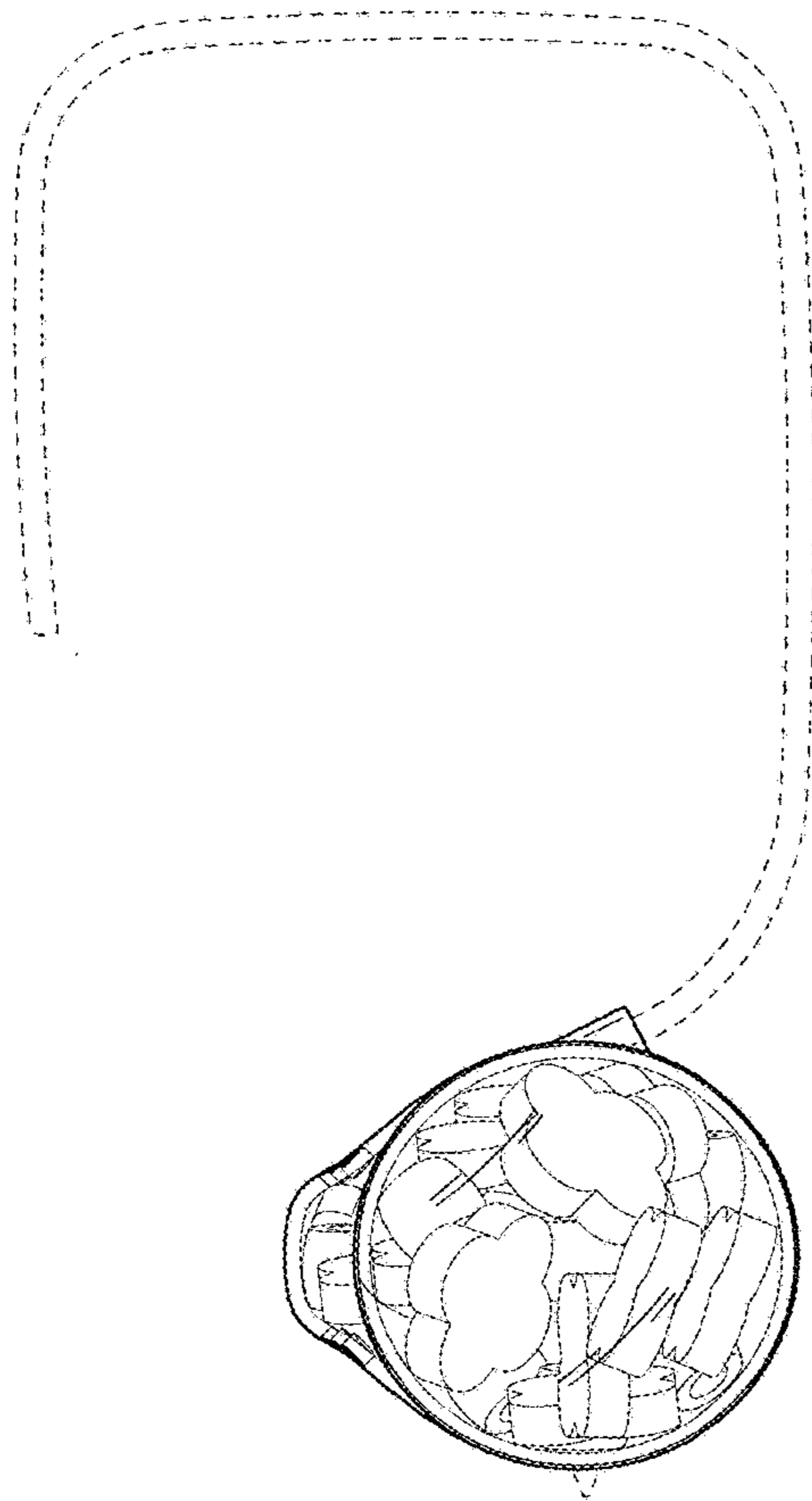


Fig. 4

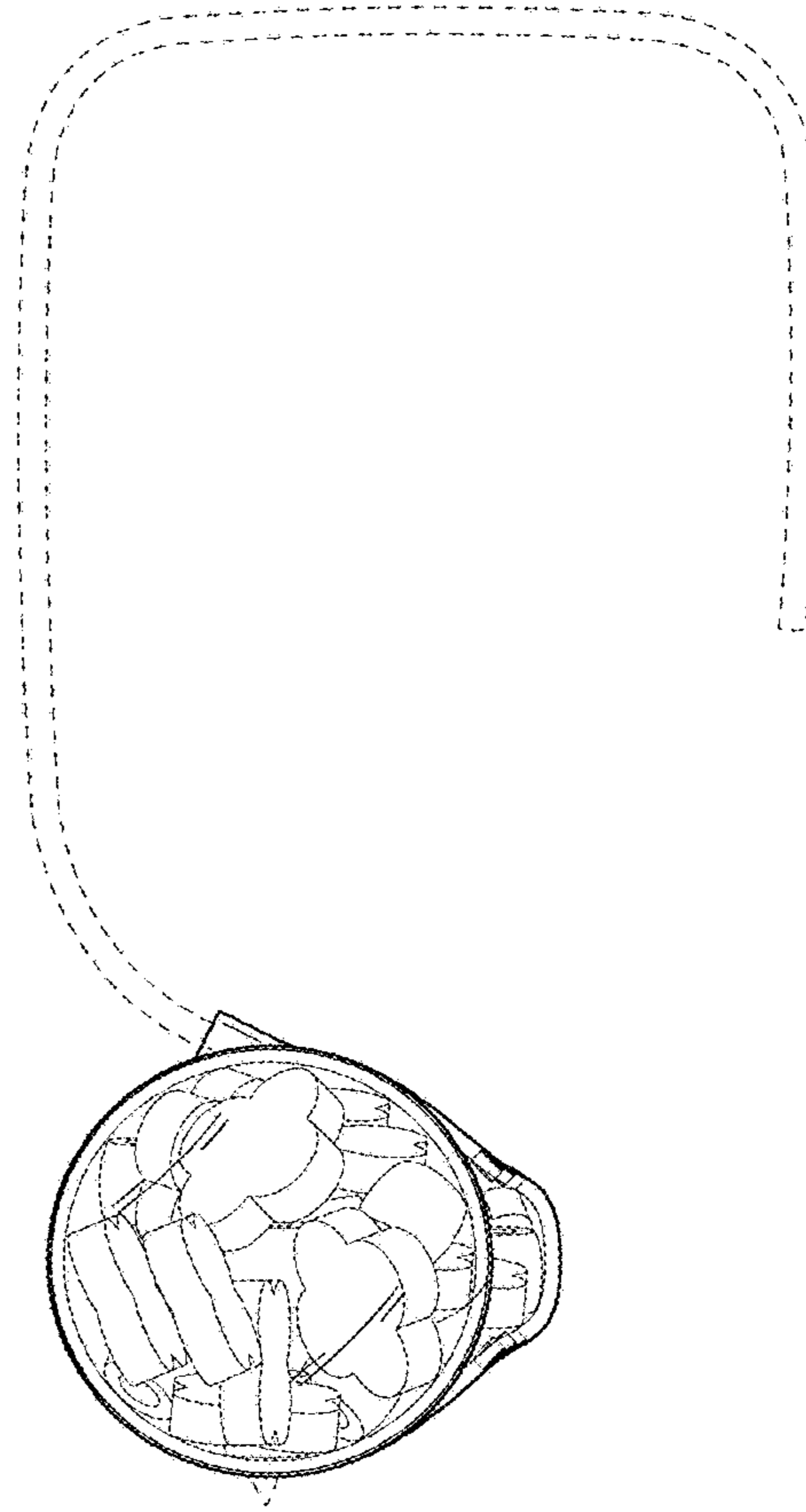


Fig. 5

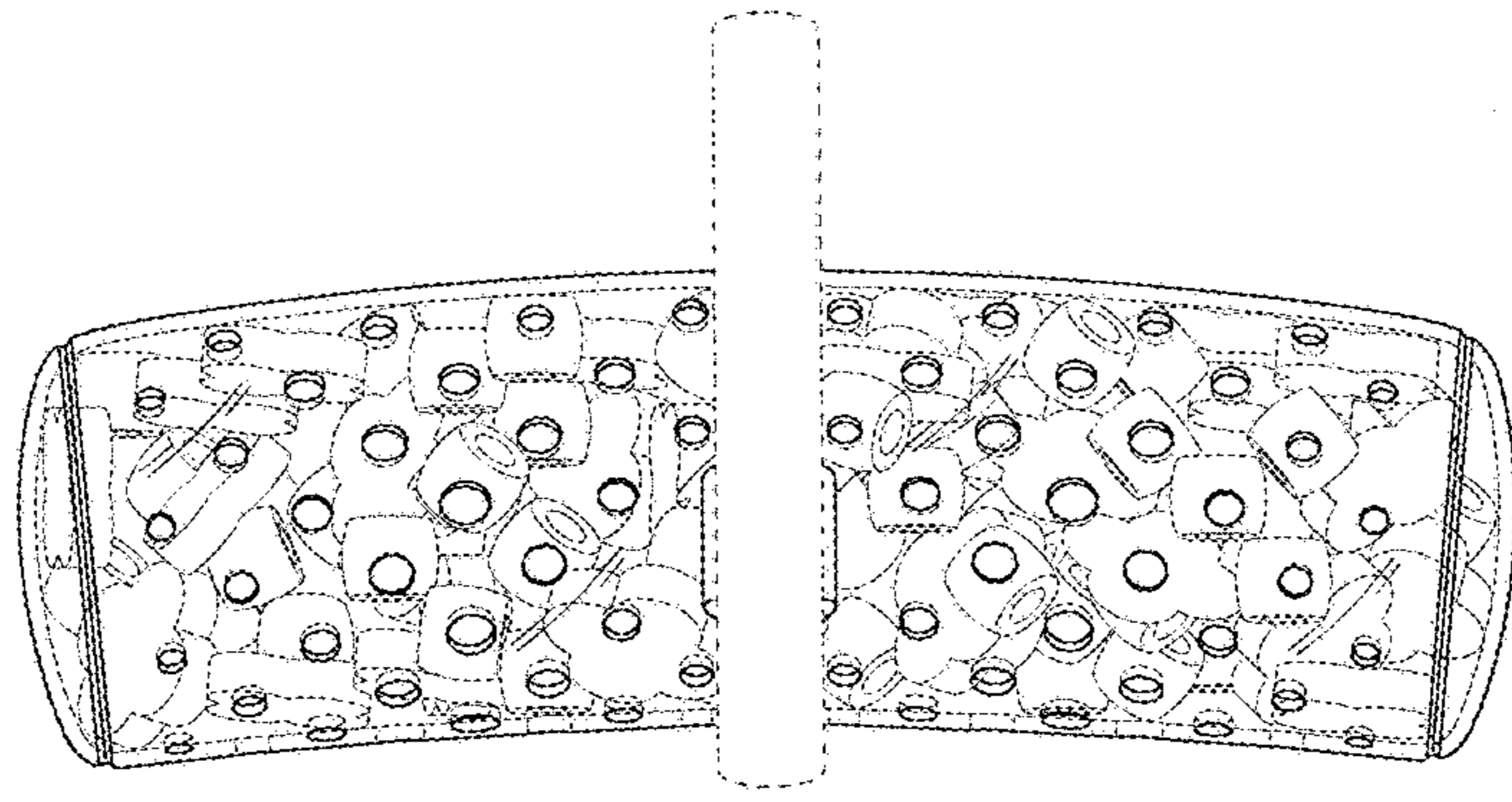


Fig. 6

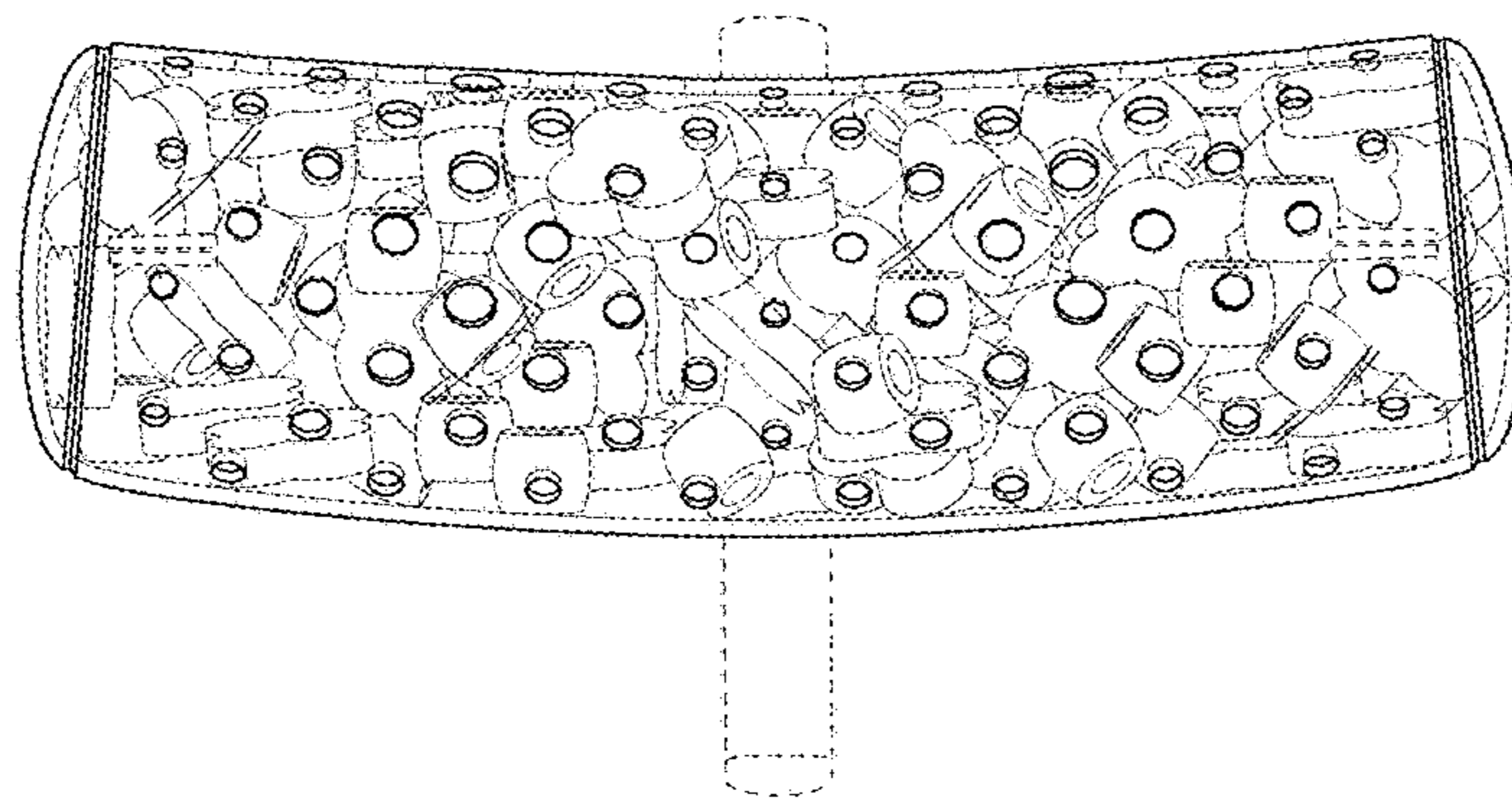


Fig. 7