



US00D802085S

(12) **United States Design Patent**
Kremerman

(10) **Patent No.:** **US D802,085 S**

(45) **Date of Patent:** **** Nov. 7, 2017**

(54) **STRAIGHT PATH DISTILLATION HEAD**

(71) Applicant: **Elliot Kremerman**, Soquel, CA (US)

(72) Inventor: **Elliot Kremerman**, Soquel, CA (US)

(**) Term: **15 Years**

(21) Appl. No.: **29/587,930**

(22) Filed: **Dec. 16, 2016**

Related U.S. Application Data

(63) Continuation-in-part of application No. 29/560,844, filed on Apr. 11, 2016, now Pat. No. Des. 776,238.

(51) **LOC (10) Cl.** **23-01**

(52) **U.S. Cl.**
USPC **D23/207**; D23/233; D23/268

(58) **Field of Classification Search**
USPC D23/207, 209, 213, 233, 259, 266, 268;
202/83, 255, 257, 270
CPC B01D 3/04; B01D 3/008
See application file for complete search history.

(56) **References Cited**

U.S. PATENT DOCUMENTS

1,970,346 A	8/1934	Symons
3,672,959 A	6/1972	Sweet
3,830,705 A	8/1974	Dewegeli
3,980,526 A	9/1976	Kirschmann
D249,051 S	8/1978	Hansrote
D249,052 S	8/1978	Hansrote
D249,053 S	8/1978	Hansrote
D249,054 S	8/1978	Hansrote
D249,055 S	8/1978	Hansrote
D249,056 S	8/1978	Hansrote
D249,057 S	8/1978	Hansrote
4,157,967 A	6/1979	Meyst et al.
4,159,817 A	7/1979	Ikawa
D254,441 S	3/1980	Lemoine
4,385,988 A	5/1983	Hypponen

4,417,565 A	11/1983	Karpinia
4,425,285 A	1/1984	Shimoi et al.
4,511,519 A	4/1985	Hsia
D293,128 S	12/1987	Karamian
D293,368 S	12/1987	Karamian
4,747,538 A	5/1988	Dunn et al.
D303,703 S	9/1989	Padilla
D306,338 S	2/1990	Rempe et al.
D313,062 S	12/1990	Palmer
D314,225 S	1/1991	Palmer et al.
D316,739 S	5/1991	Erickson et al.
D339,862 S	9/1993	Weber et al.
D344,571 S	2/1994	Peasley
5,489,532 A	2/1996	Charm et al.
D389,556 S	1/1998	Feldman et al.

(Continued)

Primary Examiner — Robin V Webster

(74) *Attorney, Agent, or Firm* — Michael J. Feigin, Esq.;
Feigin & Fridman

(57) **CLAIM**

The ornamental design for a straight path distillation head, as shown and described.

DESCRIPTION

FIG. 1 shows a bottom and side perspective view of the straight path distillation head.

FIG. 2 shows a top and reverse side perspective view thereof.

FIG. 3 shows a side view thereof.

FIG. 4 shows a top view thereof.

FIG. 5 shows a bottom view thereof.

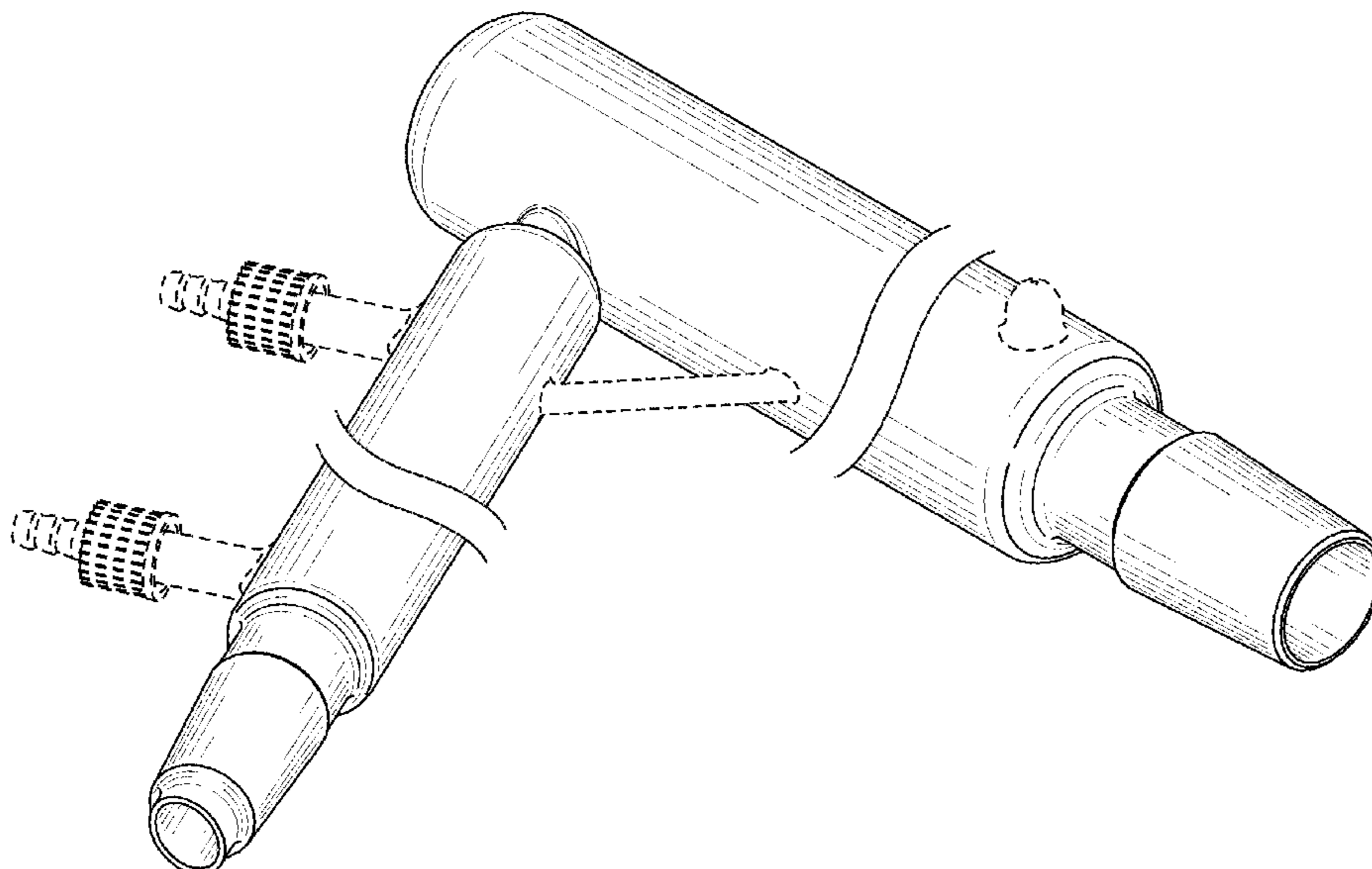
FIG. 6 shows a left end view thereof; and,

FIG. 7 shows a right end view thereof.

The wavy lines shown on the tubular portions of the claimed design indicates non-specified length.

The broken line showing of portions of the distillation head is included for the purpose of illustrating and forms no part of the claimed design.

1 Claim, 5 Drawing Sheets



(56)

References Cited

U.S. PATENT DOCUMENTS

D392,368	S	3/1998	Micoley	
D412,550	S	8/1999	Bell	
D415,818	S	10/1999	Kruepke et al.	
D420,425	S	2/2000	Micoley et al.	
6,053,422	A	4/2000	Polzin et al.	
D425,174	S	5/2000	Swancara	
D444,204	S	6/2001	Hilgers et al.	
D444,843	S	7/2001	Hilgers et al.	
D444,844	S	7/2001	Hilgers et al.	
D444,845	S	7/2001	Hilgers et al.	
6,290,819	B1	9/2001	Land	
D455,813	S	4/2002	Mount	
D458,340	S	6/2002	Lindahl	
1,465,012	A1	10/2002	Tauzer	
6,644,560	B2	11/2003	Polzin et al.	
D499,166	S	11/2004	Weidmann	
D595,391	S	6/2009	Weltman	
D625,777	S	10/2010	Loffler	
D654,558	S	2/2012	Zeng	
D690,800	S	10/2013	Ren	
D705,391	S	5/2014	Okazaki	
D706,386	S	6/2014	Ambler et al.	
D707,792	S	6/2014	Collins et al.	
D715,894	S	10/2014	Meder	
D720,425	S	12/2014	Caldwell	
D727,460	S	4/2015	Collins et al.	
D731,615	S	6/2015	Ambler et al.	
D776,238	S *	1/2017	Kremerman	D23/207

* cited by examiner

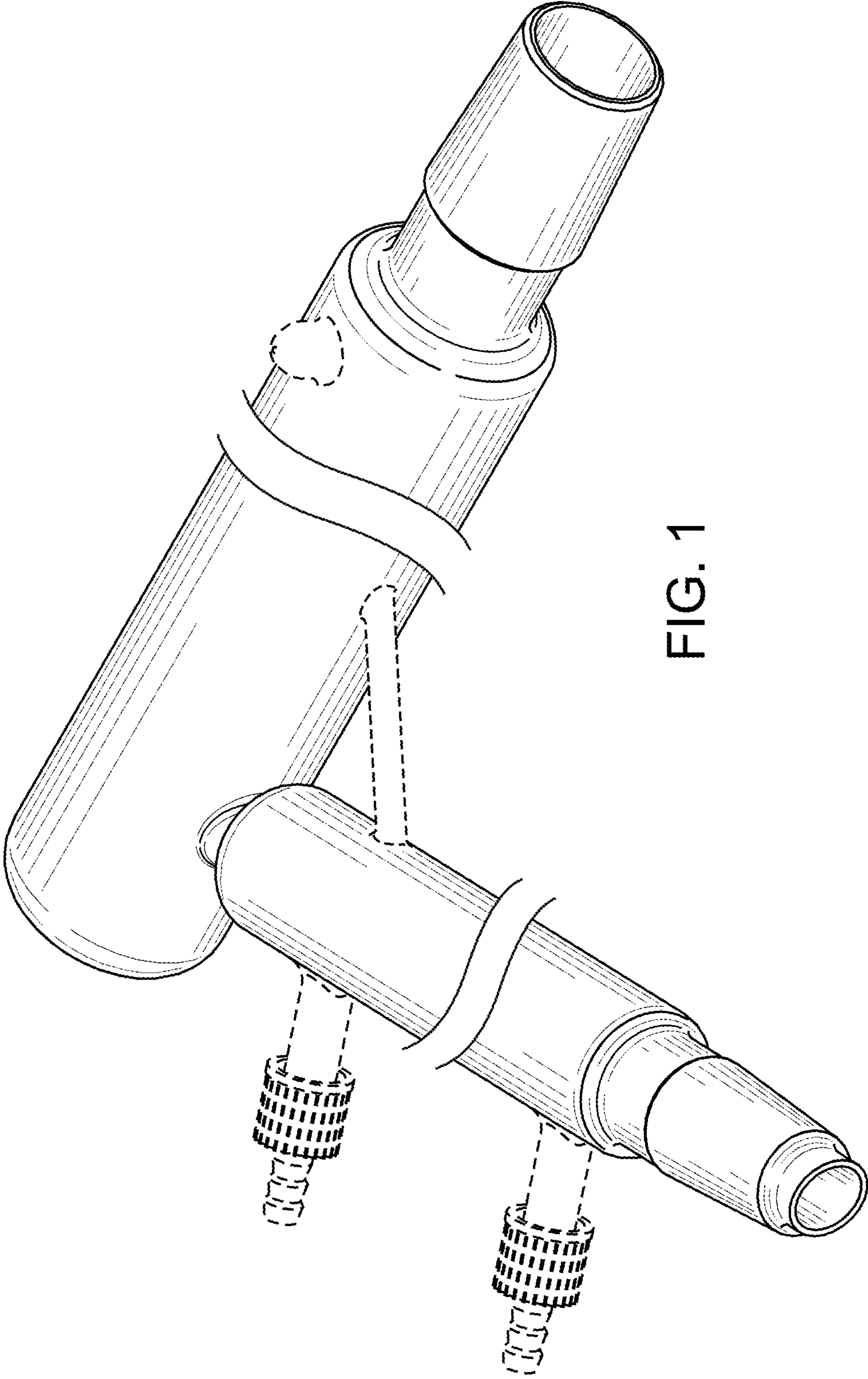


FIG. 1

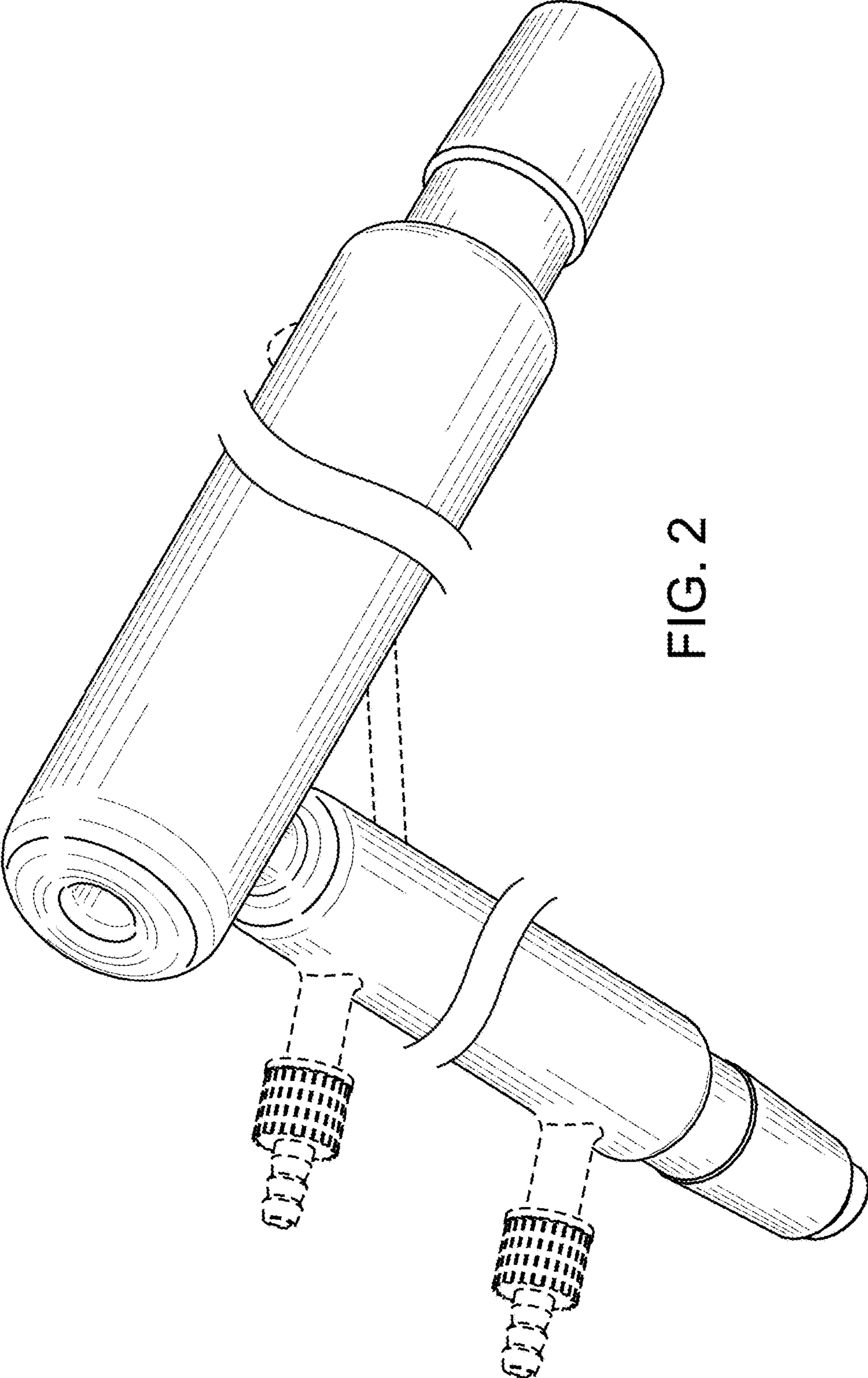


FIG. 2

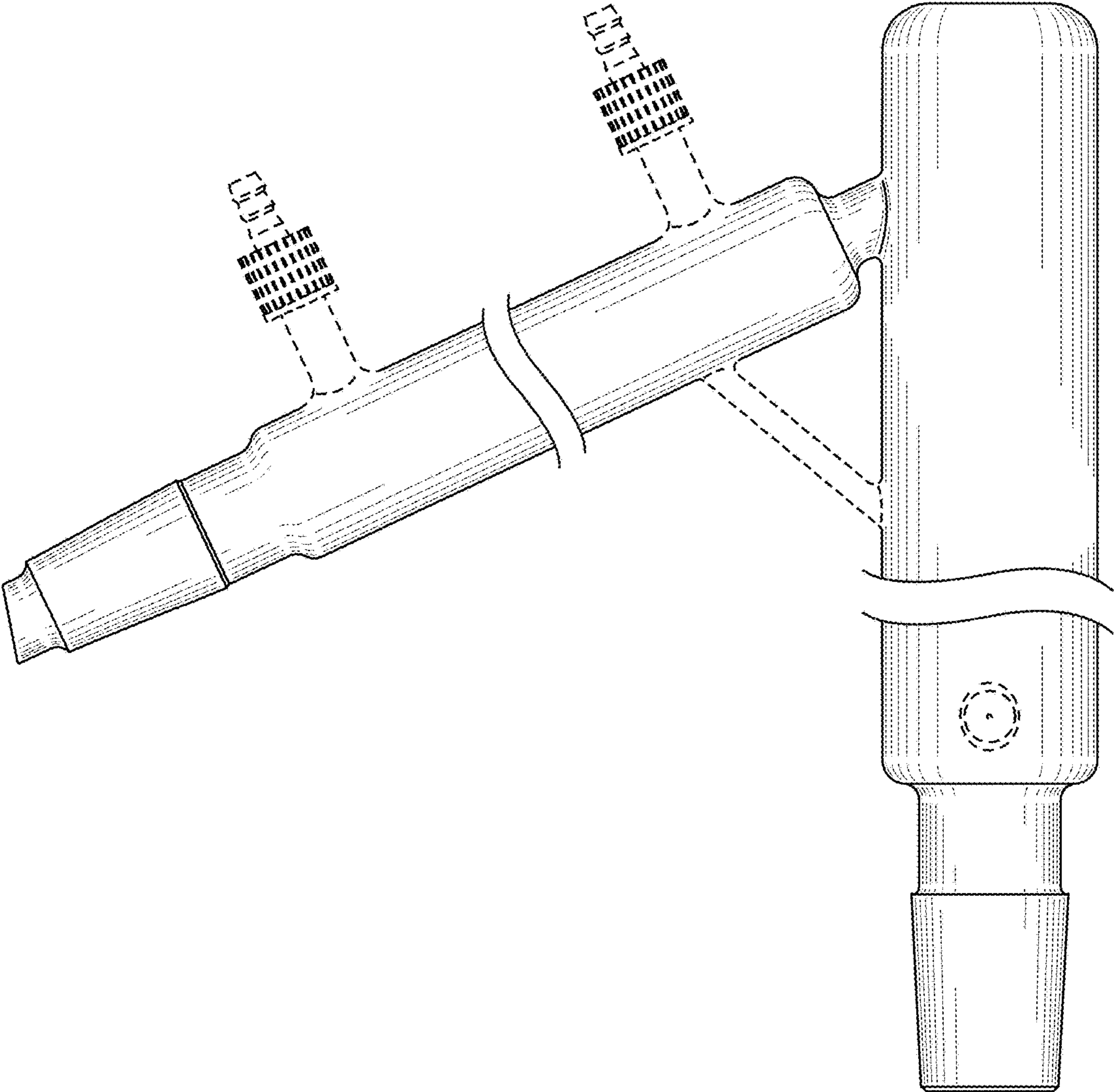


FIG. 3

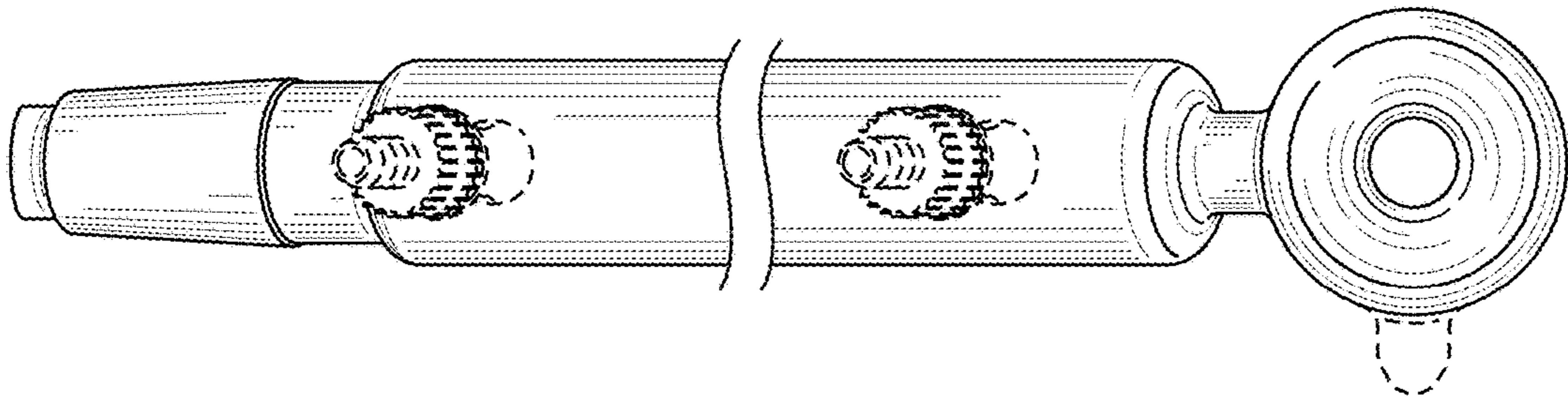


FIG. 4

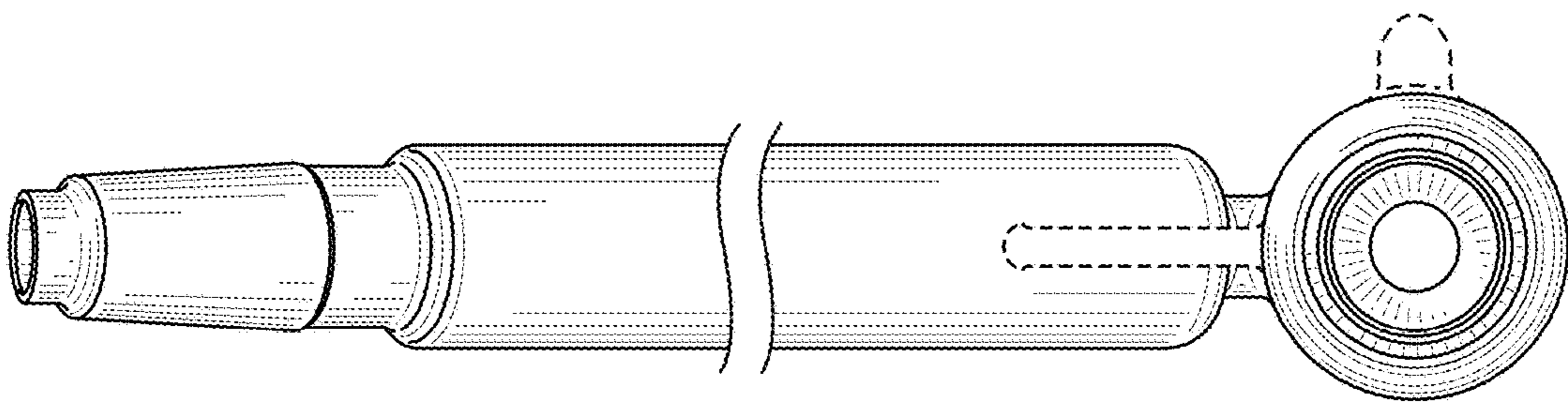


FIG. 5

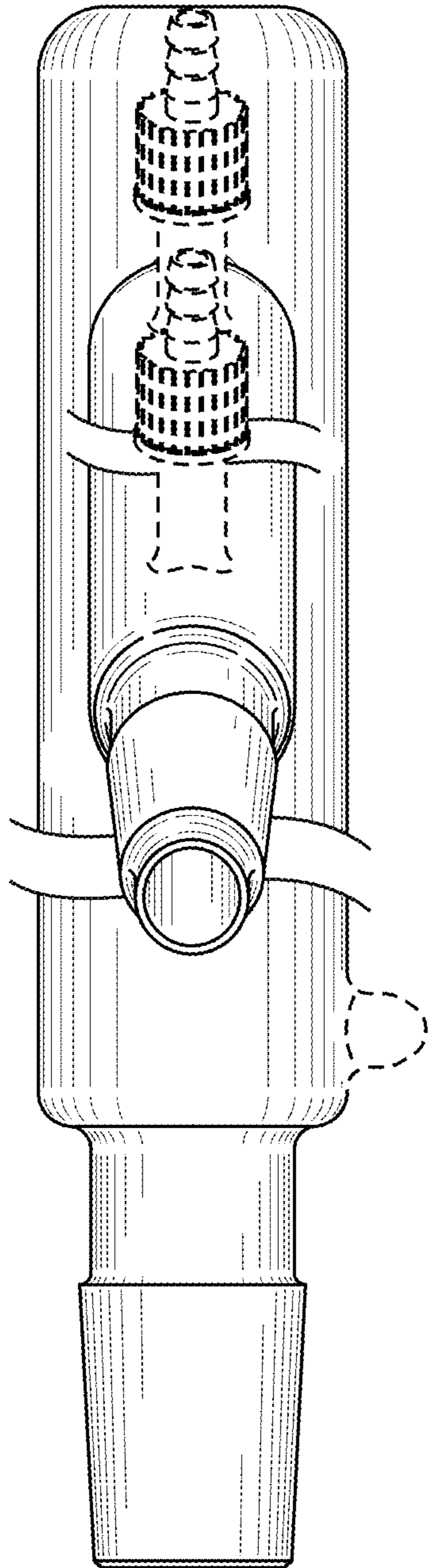


FIG. 6

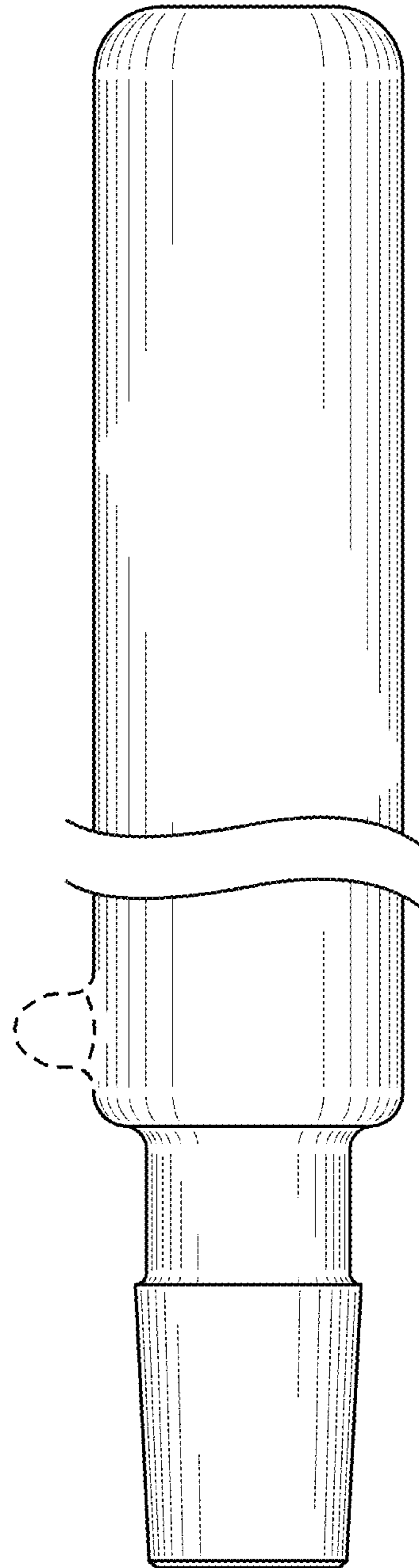


FIG. 7