



US00D802083S

(12) **United States Design Patent**
Lee

(10) **Patent No.: US D802,083 S**

(45) **Date of Patent: ** Nov. 7, 2017**

(54) **WATER PURIFIER**

(71) Applicant: **Chung-Ming Lee**, Taichung (TW)

(72) Inventor: **Wen-Pin Lee**, Taichung (TW)

(73) Assignee: **Chung-Ming Lee**, Taichung (TW)

(**) Term: **15 Years**

(21) Appl. No.: **29/573,152**

(22) Filed: **Aug. 3, 2016**

(51) **LOC (10) Cl.** **23-01**

(52) **U.S. Cl.**
USPC **D23/207**

(58) **Field of Classification Search**
USPC D23/209; 210/232, 234, 282, 223
CPC C02F 1/003; B01D 19/0031; B01D 35/30;
B01D 35/12; B01D 35/14
See application file for complete search history.

(56) **References Cited**

U.S. PATENT DOCUMENTS

4,046,695 A * 9/1977 Tucker B01D 35/12
210/340
5,298,158 A * 3/1994 Anderson B01D 35/12
123/196 A

D398,368 S * 9/1998 Schroer D23/209
D439,304 S * 3/2001 Tilp D23/209
D444,535 S * 7/2001 McKinney D23/207
D445,869 S * 7/2001 McKinney D23/207
D539,383 S * 3/2007 Donald D23/207

* cited by examiner

Primary Examiner — Robin V Webster

(74) *Attorney, Agent, or Firm* — Muncy, Geissler, Olds & Lowe, P.C.

(57) **CLAIM**

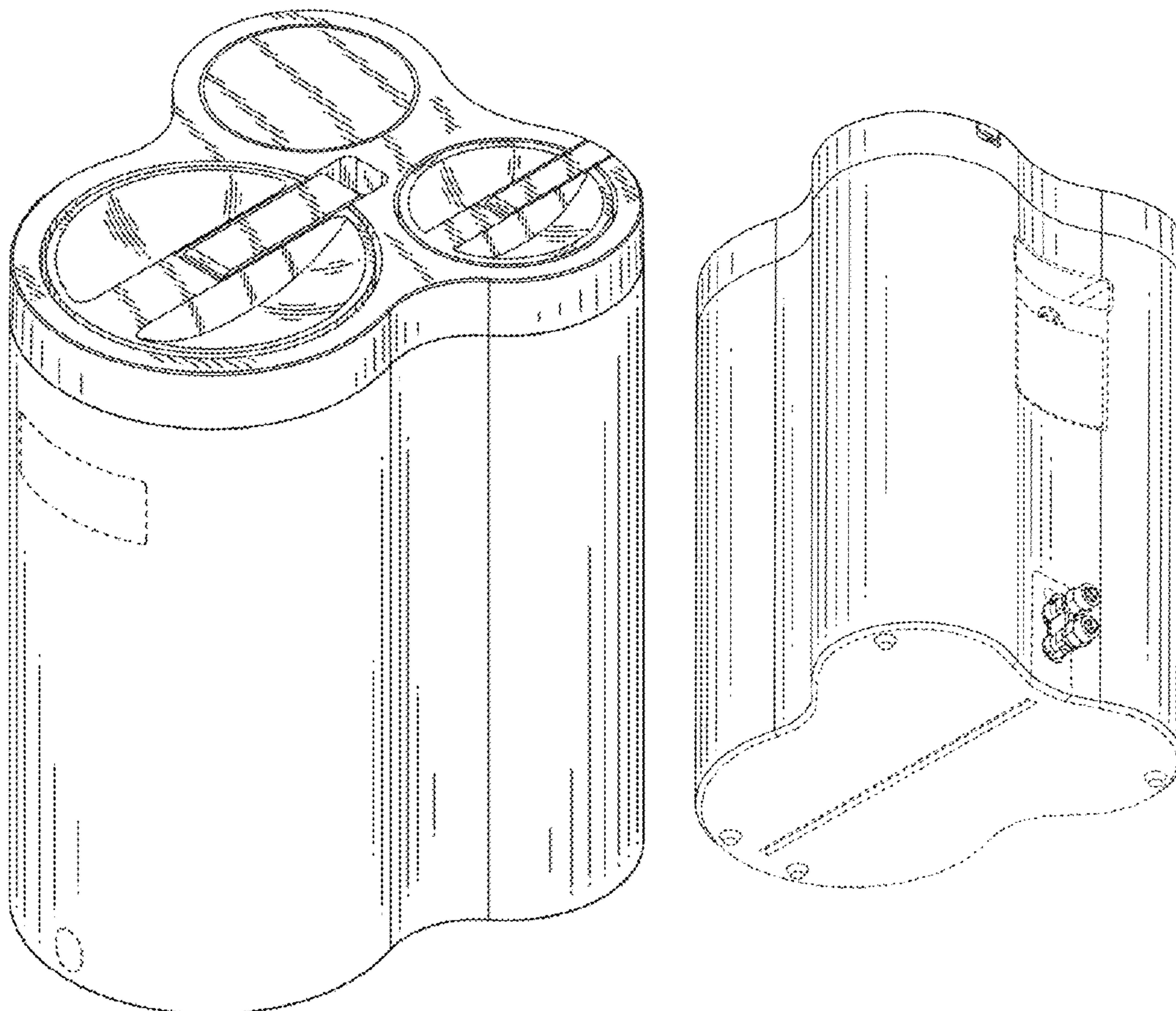
I claim the ornamental design for a water purifier, as shown and described.

DESCRIPTION

FIG. 1 is a right, front, top perspective view of a water purifier showing my new design;
FIG. 2 is a front elevational view thereof;
FIG. 3 is a rear elevational view thereof;
FIG. 4 is a left side view thereof;
FIG. 5 is a right side view thereof;
FIG. 6 is a top plan view thereof;
FIG. 7 is a bottom plan view thereof; and,
FIG. 8 is a right, rear, bottom perspective view of the water purifier.

The broken lines in the drawings illustrate portions of the water purifier which form no part of the claimed design.

1 Claim, 8 Drawing Sheets



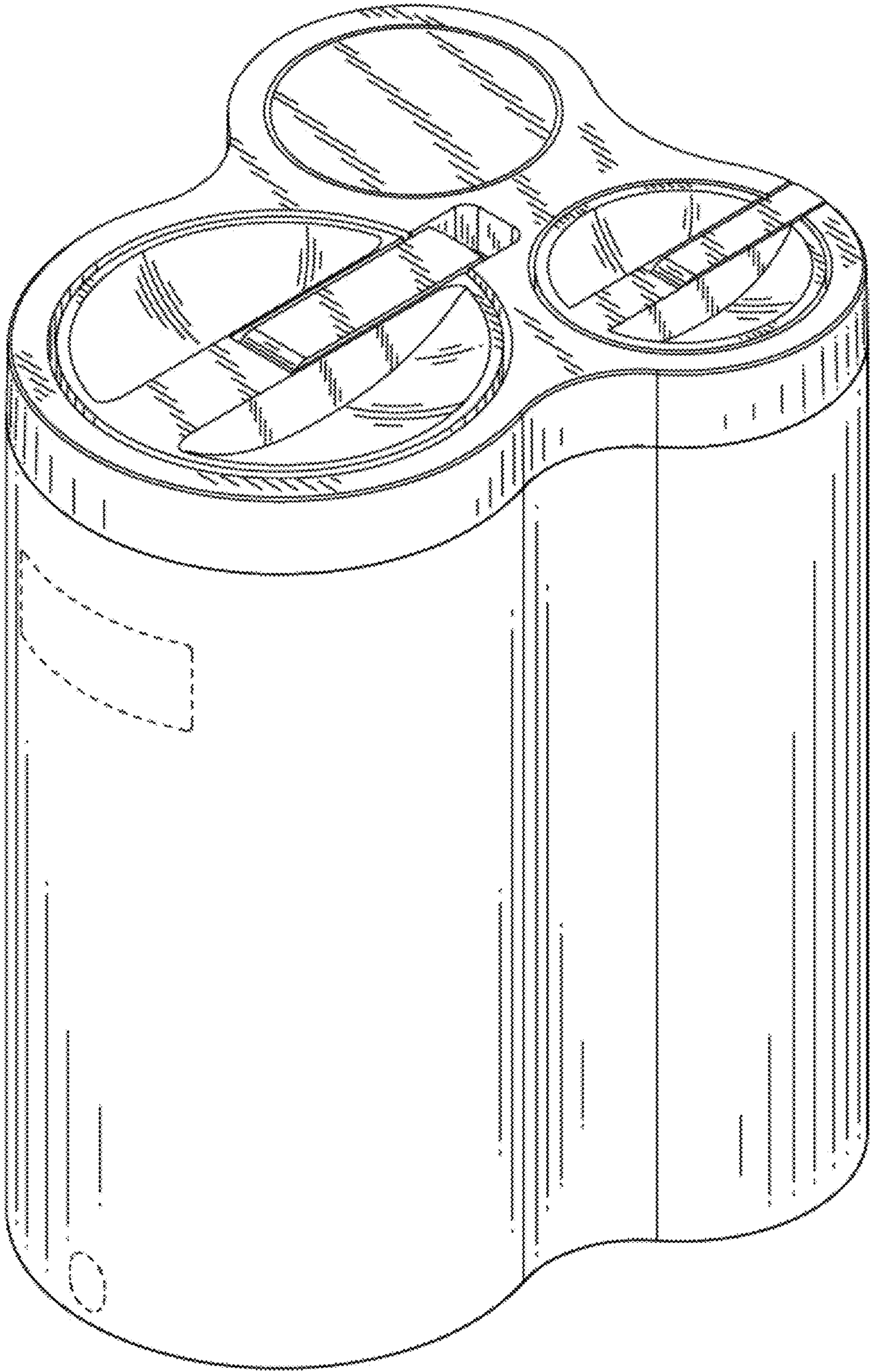


FIG. 1

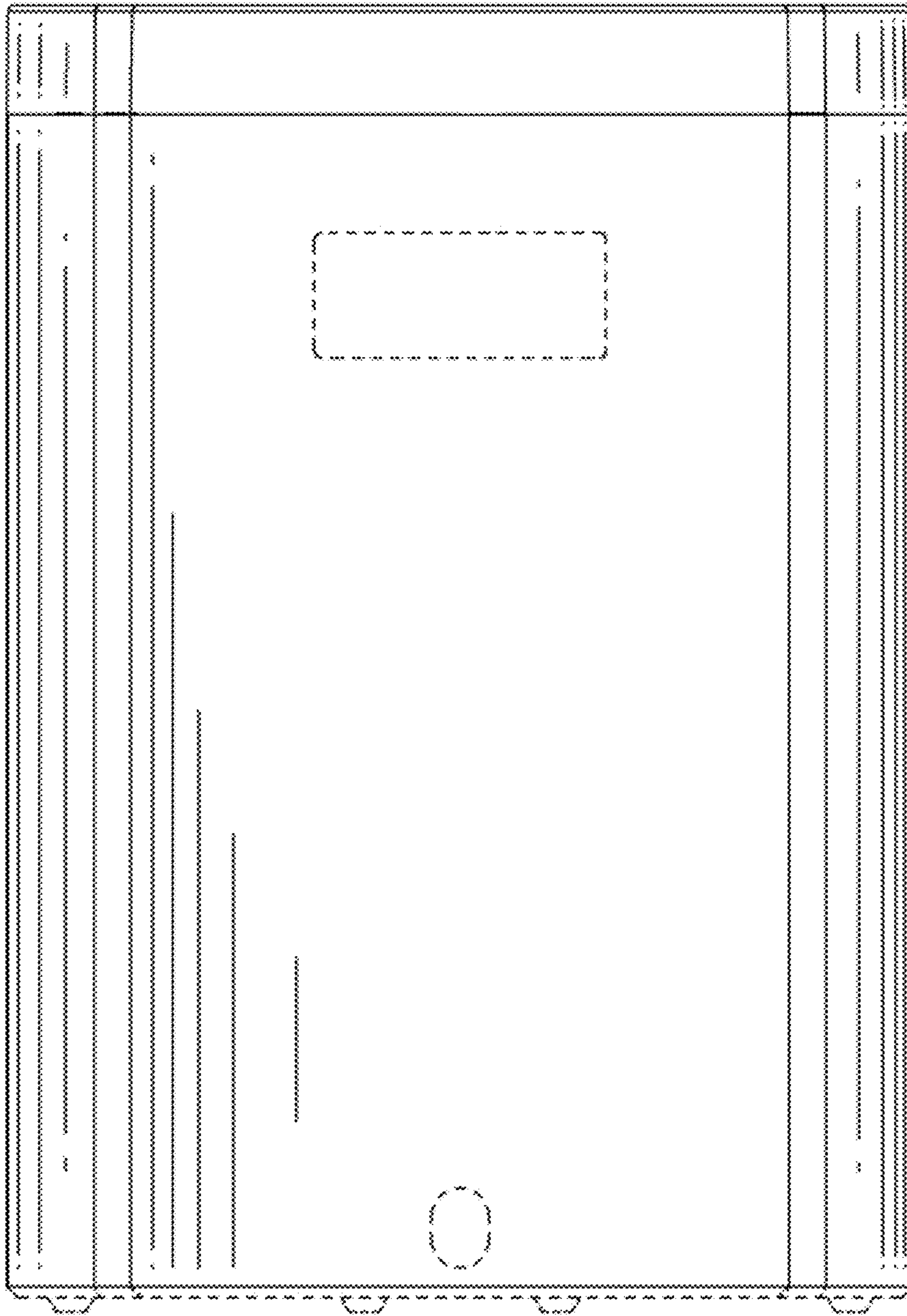


FIG. 2

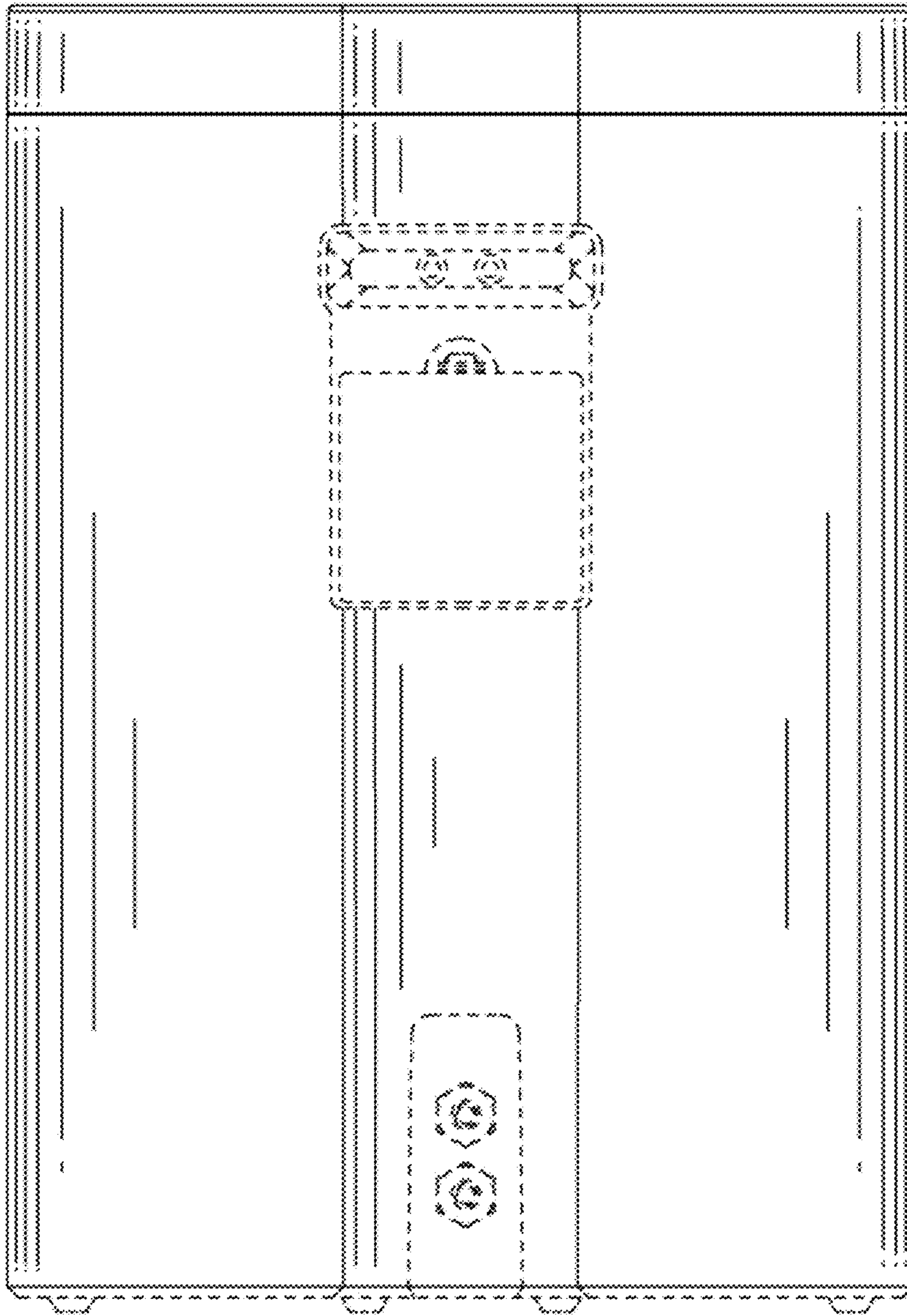


FIG. 3



FIG. 4

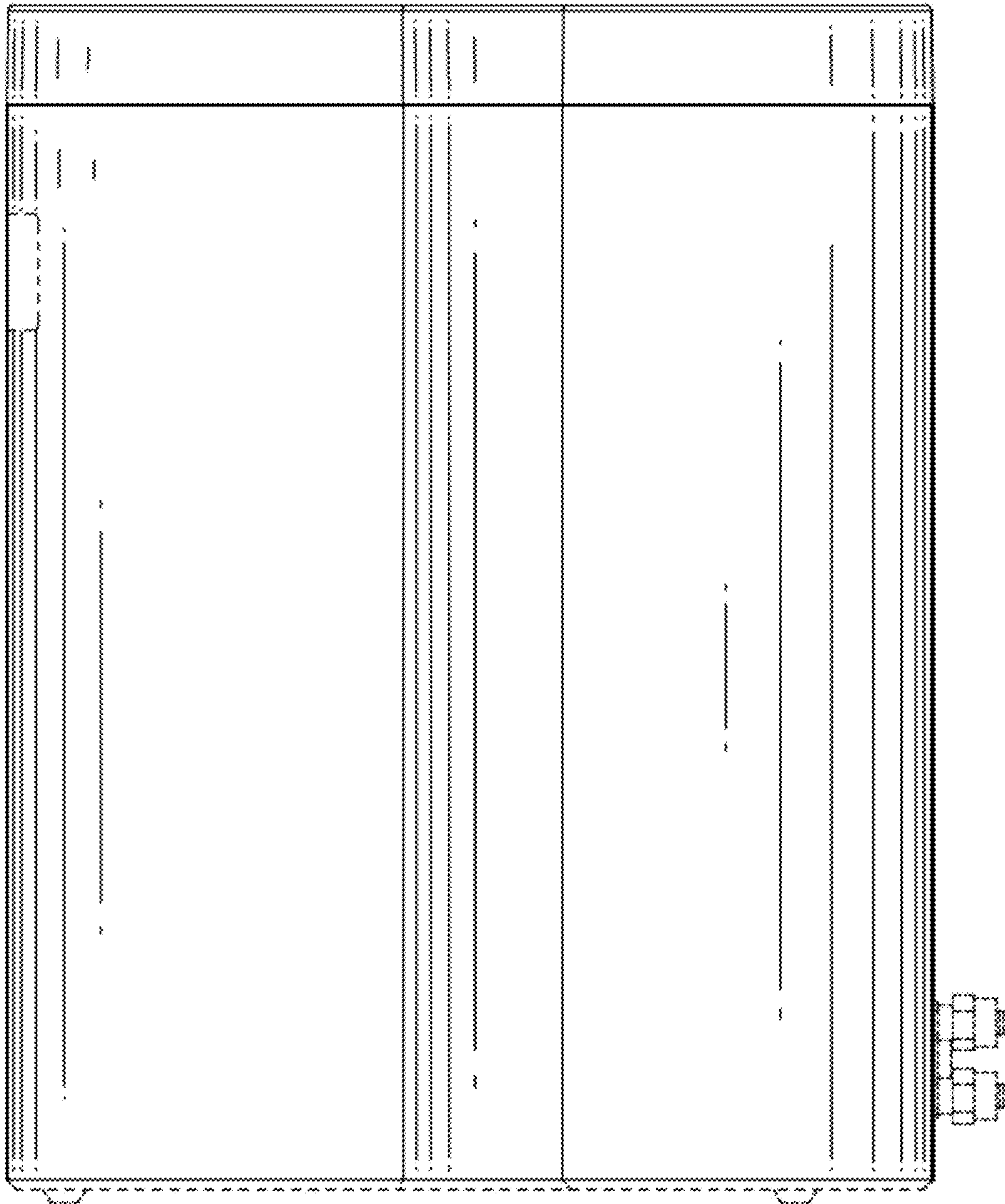


FIG. 5

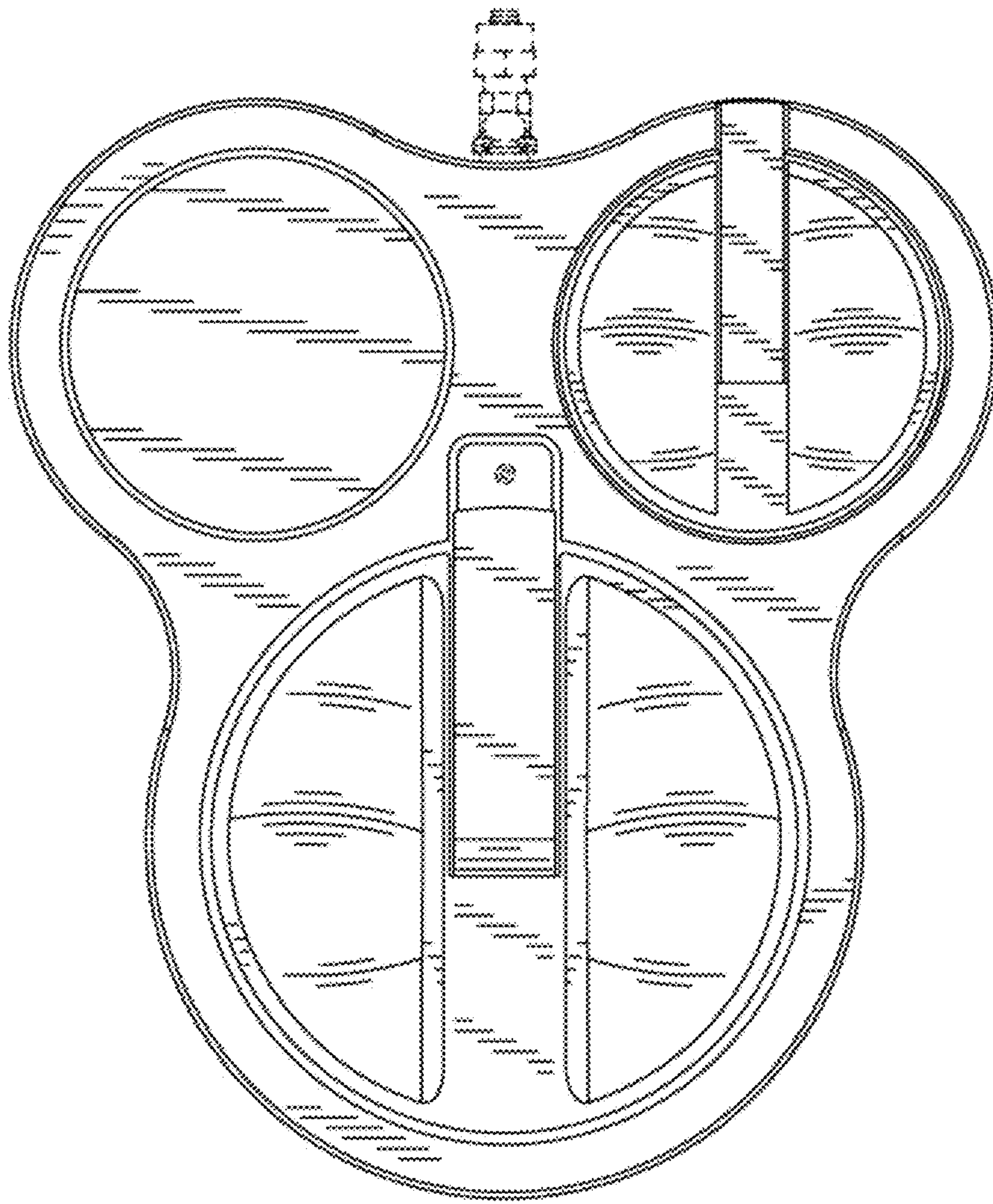


FIG. 6

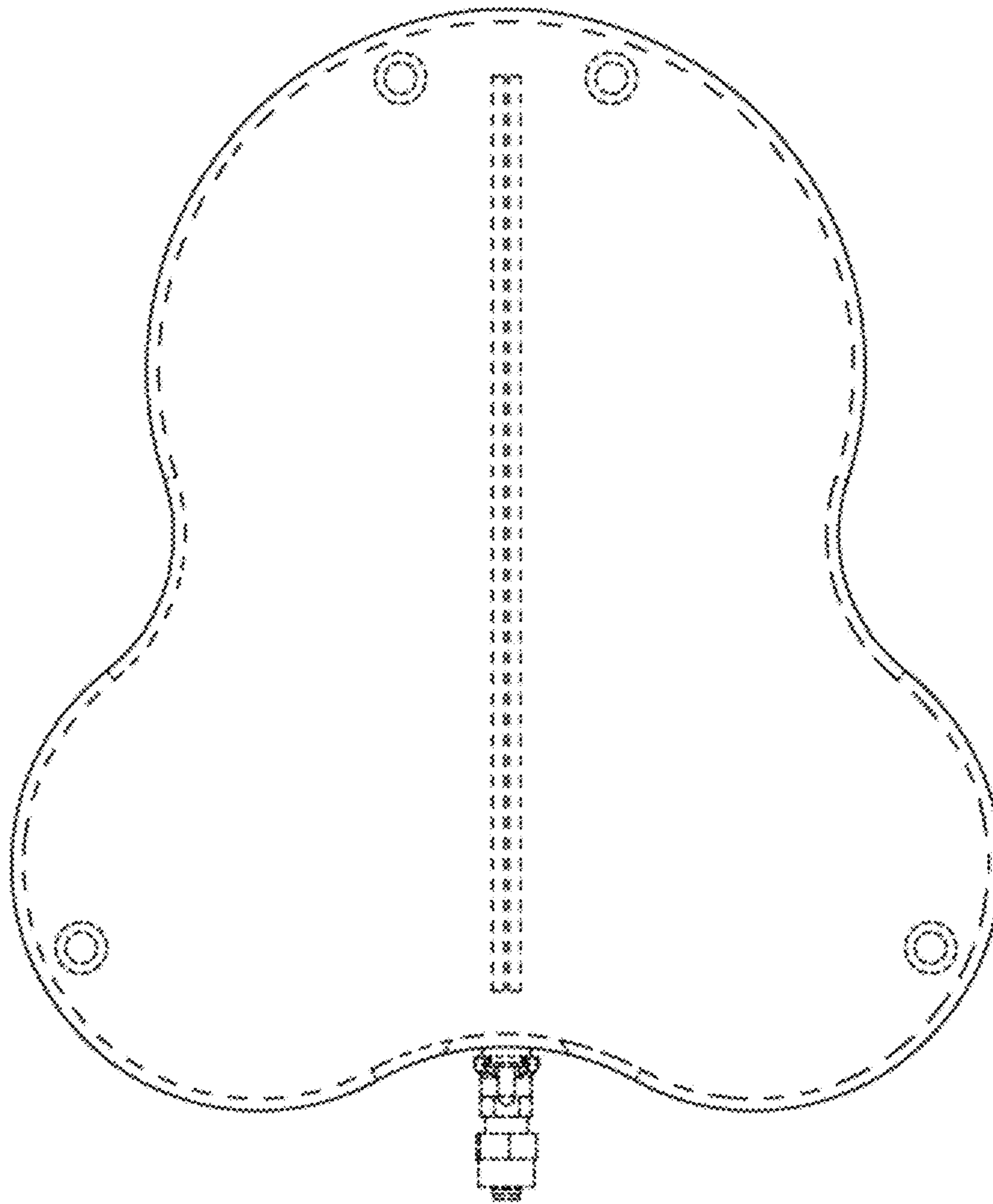


FIG. 7

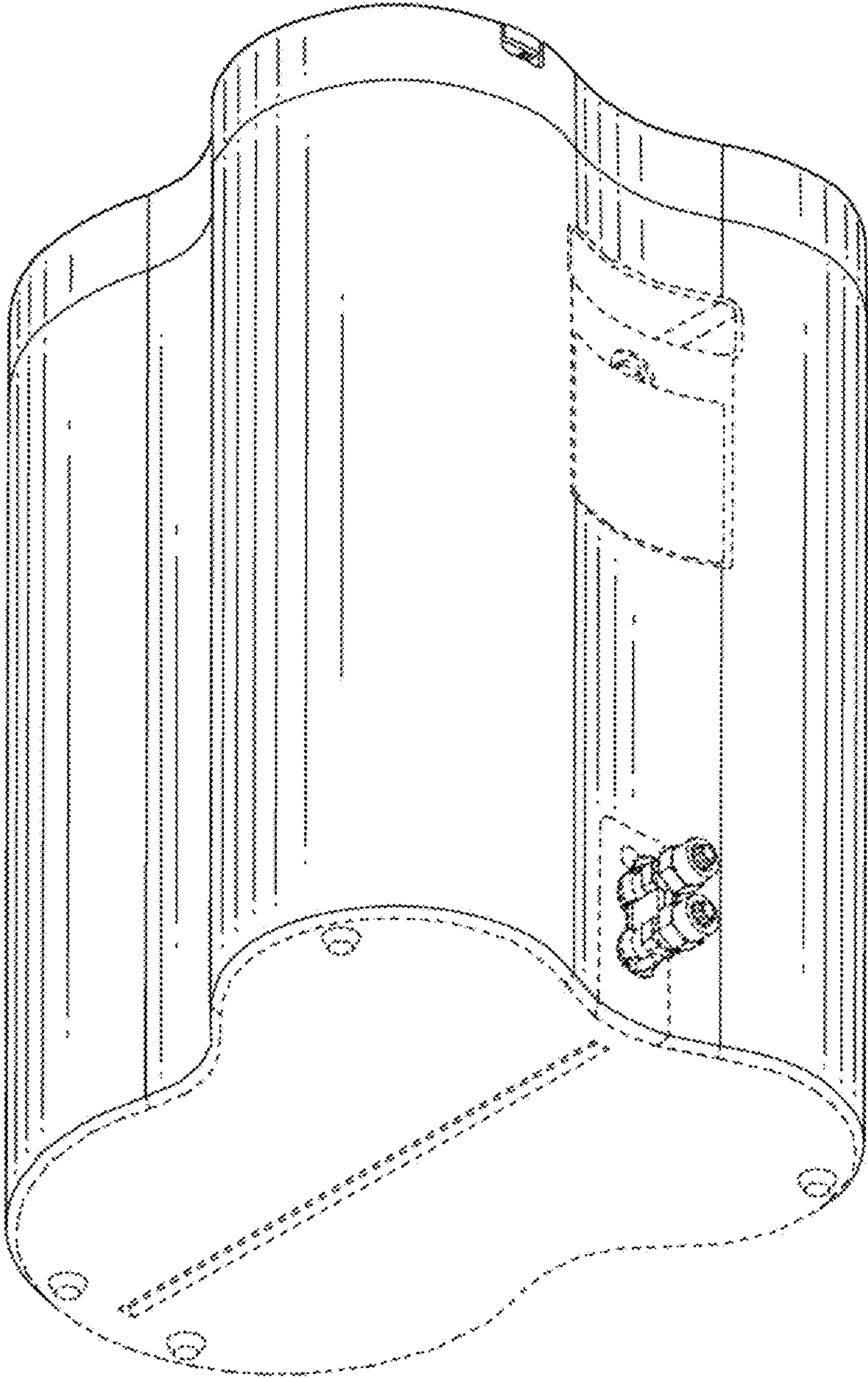


FIG. 8