



US00D802080S

(12) **United States Design Patent**
Lo

(10) **Patent No.:** **US D802,080 S**

(45) **Date of Patent:** **** Nov. 7, 2017**

- (54) **OUTER BOX OF A MOUSE TRAP**
- (71) Applicant: **Pei-Chi Lo**, Changhua (TW)
- (72) Inventor: **Pei-Chi Lo**, Changhua (TW)
- (**) Term: **15 Years**
- (21) Appl. No.: **29/579,744**
- (22) Filed: **Oct. 3, 2016**
- (51) **LOC (10) Cl.** **22-06**
- (52) **U.S. Cl.**
USPC **D22/119**
- (58) **Field of Classification Search**
USPC D22/119-124; 43/58, 60, 61-62
CPC A01M 23/20; A01M 23/08
See application file for complete search history.

- D690,789 S * 10/2013 Wauson D22/119
- D716,906 S * 11/2014 Hebert D22/119
- D779,625 S * 2/2017 Bubar D22/119

* cited by examiner

Primary Examiner — Catherine R Oliver-Garcia
(74) *Attorney, Agent, or Firm* — Egbert Law Offices, PLLC

(57) **CLAIM**

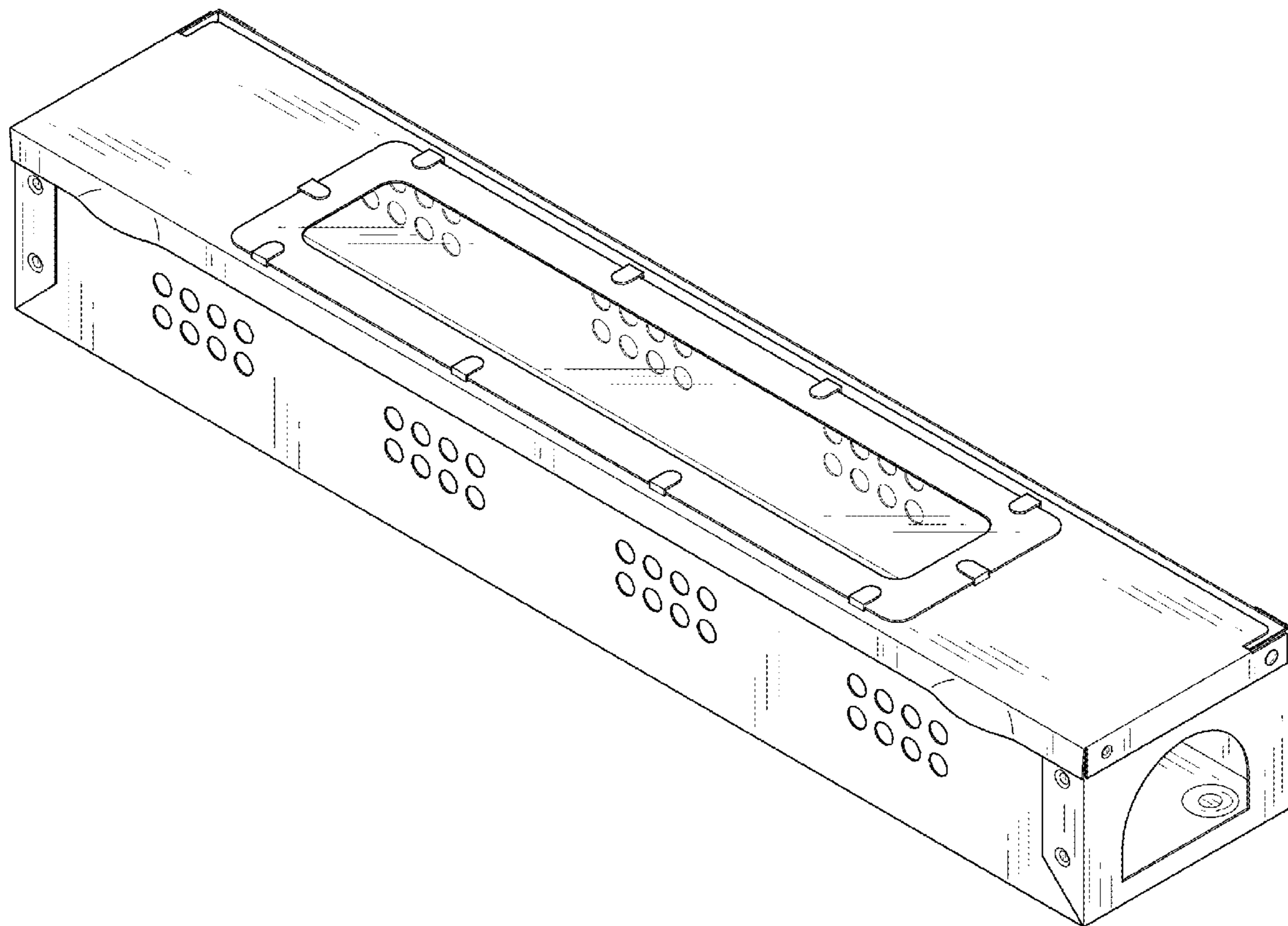
The ornamental design for a outer box of a mouse trap, as shown and described.

DESCRIPTION

FIG. 1 is an upper perspective view of an outer box of a mouse trap showing my new design.
 FIG. 2 is a front view thereof;
 FIG. 3 is a rear view thereof;
 FIG. 4 is a side view thereof;
 FIG. 5 is an opposite side view thereof;
 FIG. 6 is a top view thereof;
 FIG. 7 is a bottom view; and,
 FIG. 8 is an exploded perspective view of the outer box of a mouse trap.
 The features presented in broken lines in FIG. 8 represent unclaimed inner components of the outer box of a mouse trap and form no part of the claimed design.

- (56) **References Cited**
U.S. PATENT DOCUMENTS
4,413,439 A * 11/1983 Lindley A01M 23/20
43/61
5,094,027 A * 3/1992 Smotherman A01M 23/08
43/60
D329,270 S * 9/1992 Der-Jinn D22/120
D582,504 S * 12/2008 Wiesener D22/119
D660,394 S * 5/2012 Baker D22/119

1 Claim, 7 Drawing Sheets



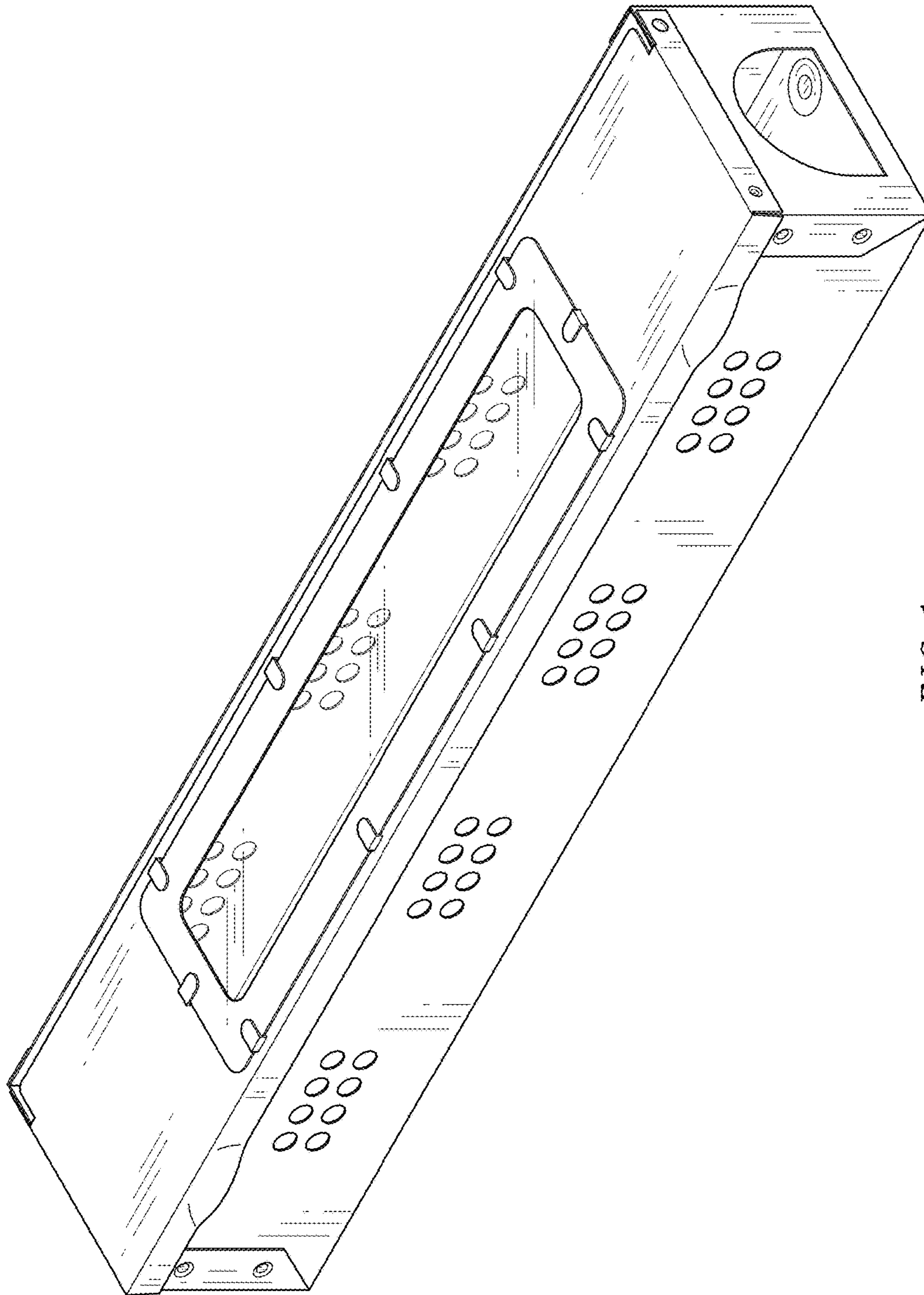


FIG. 1

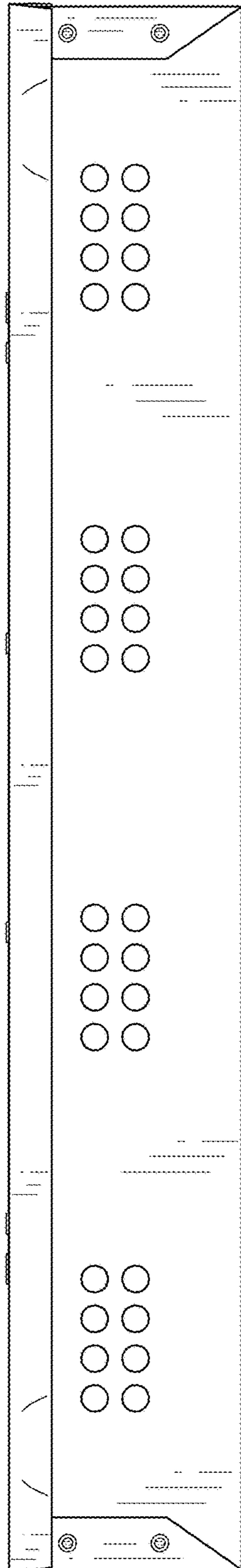


FIG. 2

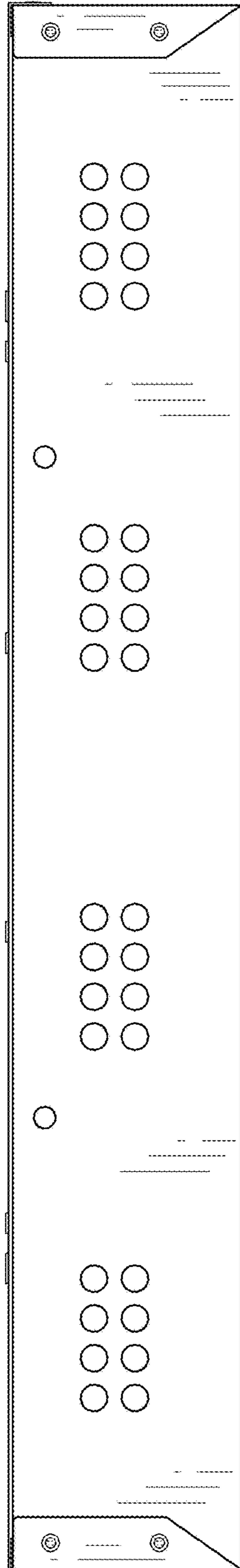


FIG. 3

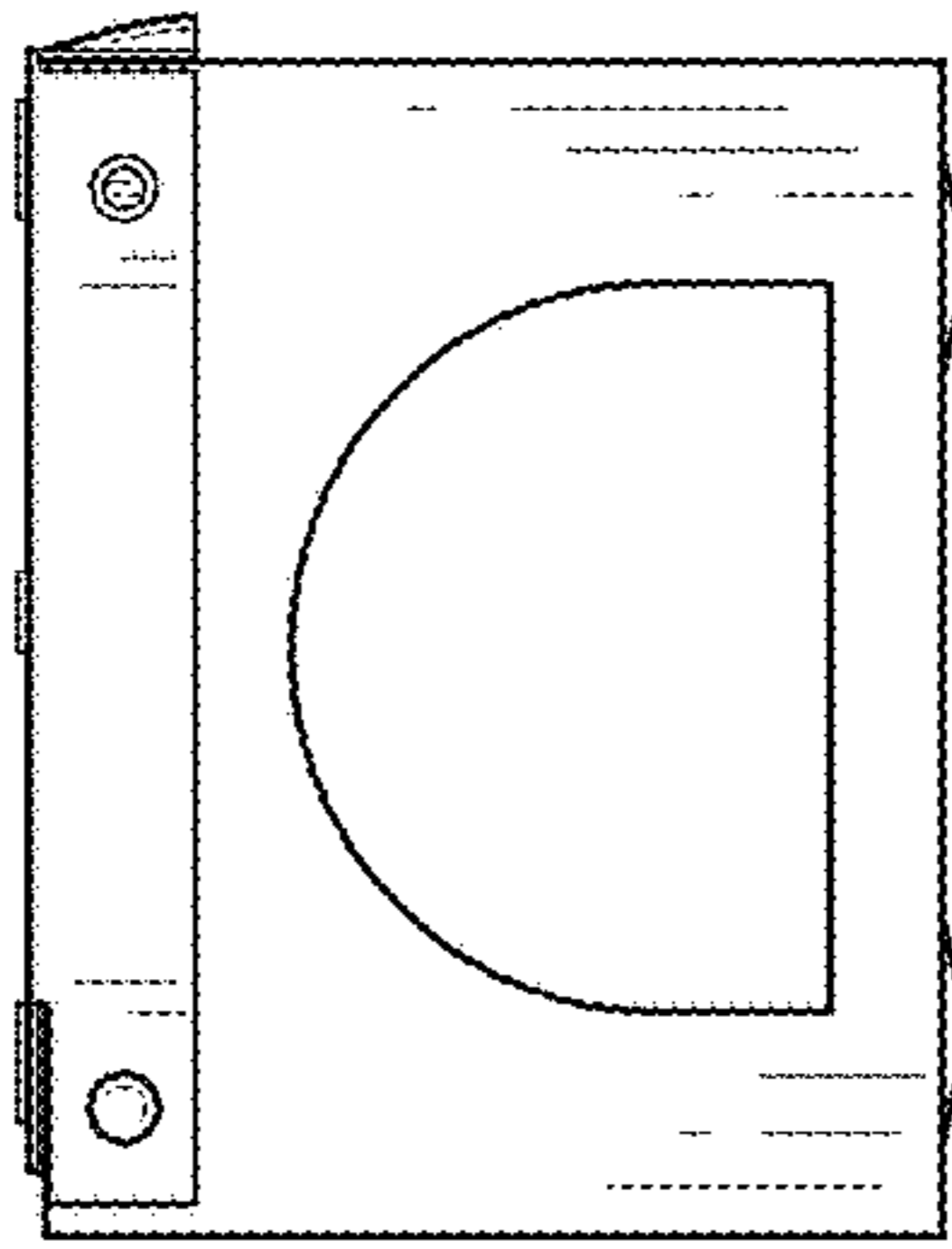


FIG. 4

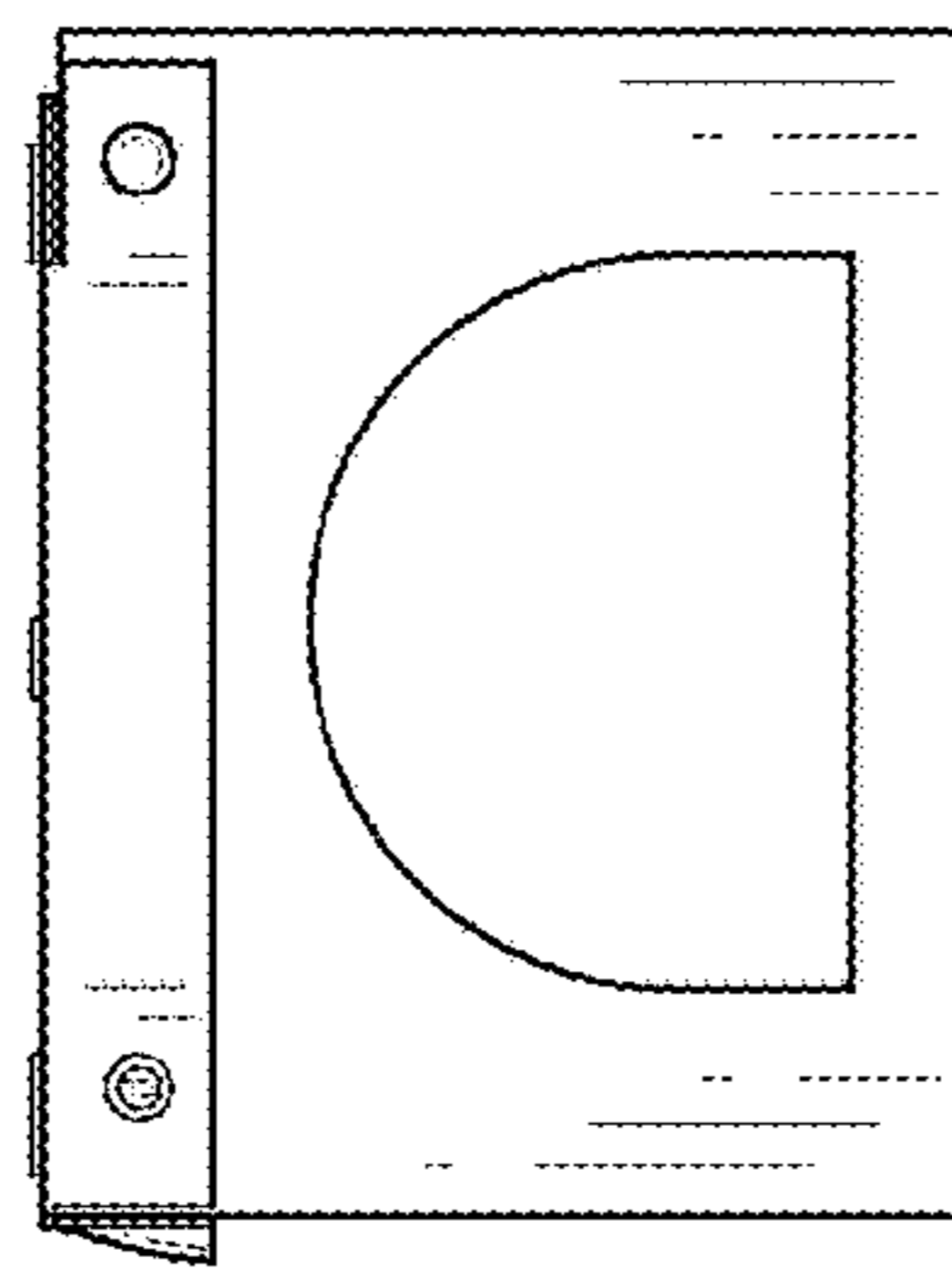


FIG. 5

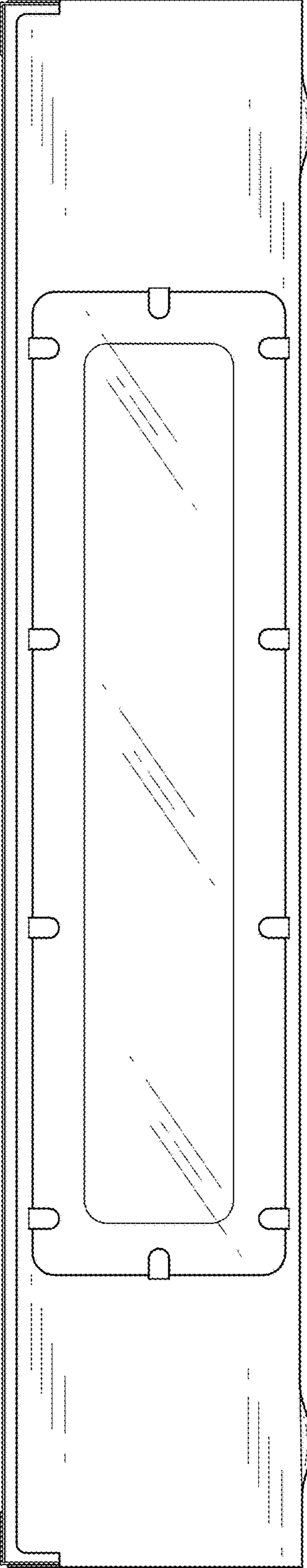


FIG. 6

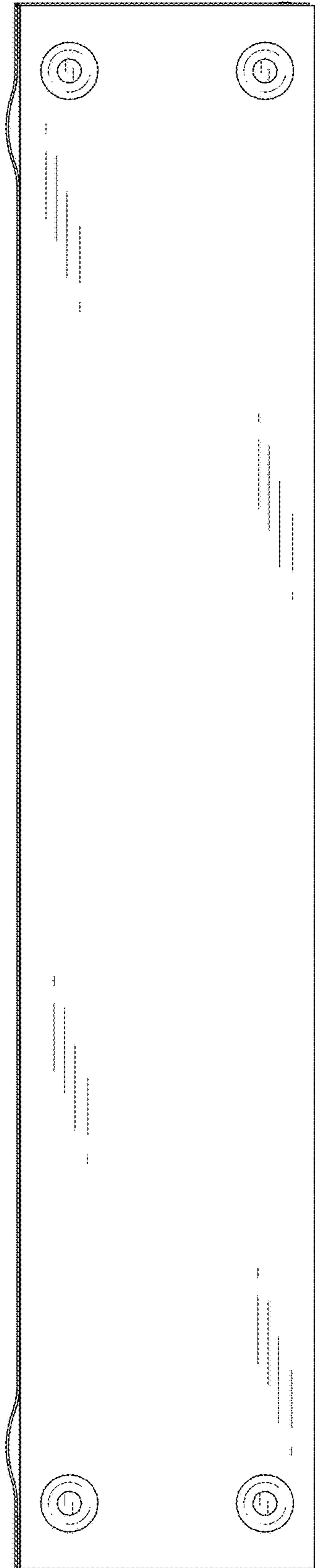


FIG. 7

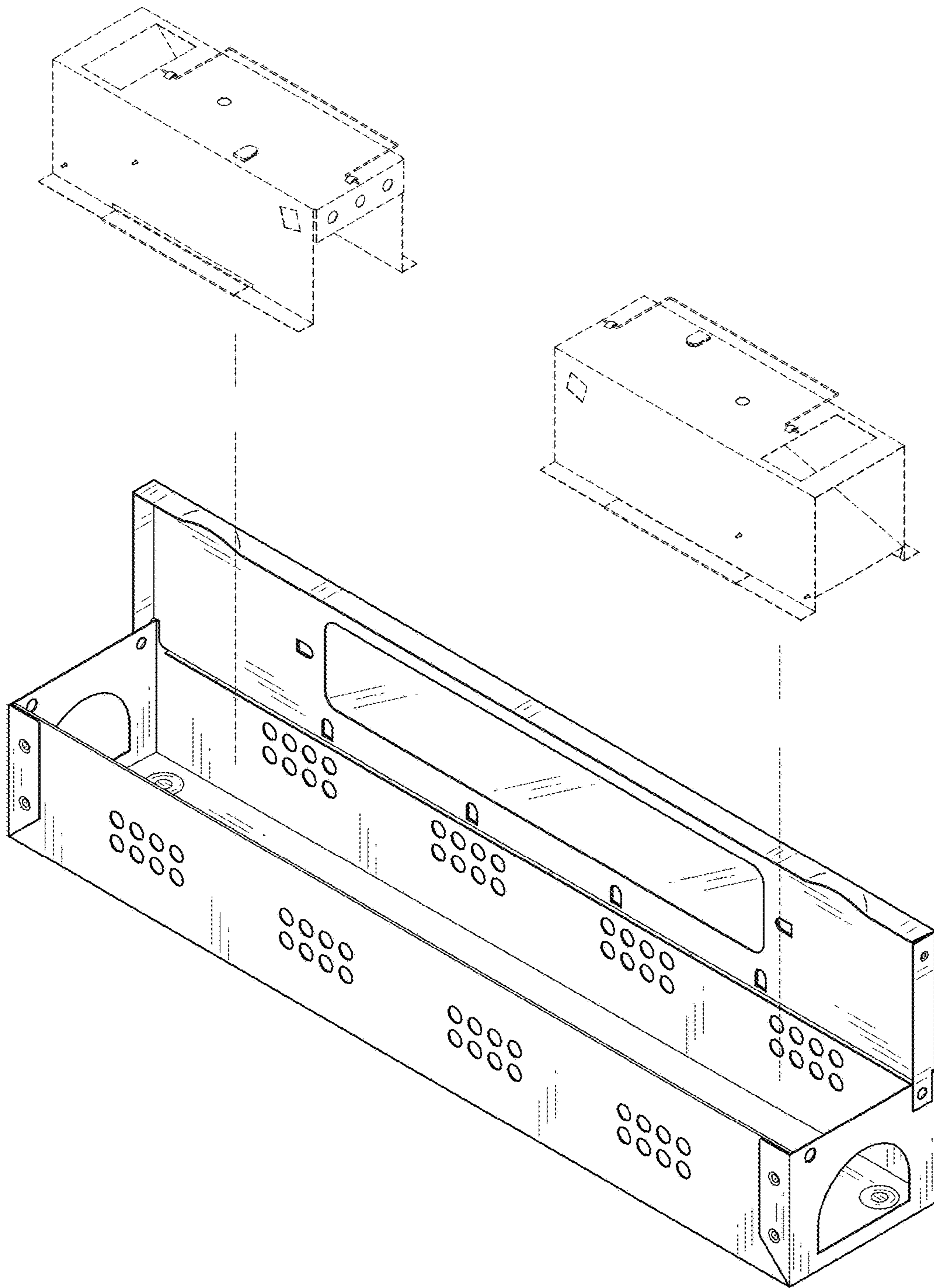


FIG. 8