



US00D802077S

(12) **United States Design Patent**
Geissele et al.

(10) **Patent No.:** **US D802,077 S**
(45) **Date of Patent:** **** Nov. 7, 2017**

(54) **FIREARM ACCESSORY MOUNT**

- (71) Applicant: **WHG Properties, LLC**, North Wales, PA (US)
- (72) Inventors: **William H. Geissele**, Lower Gwynedd, PA (US); **Frank E. Robinson**, Schwenksville, PA (US)
- (73) Assignee: **WHG Properties, LLC**, North Wales, PA (US)
- (**) Term: **15 Years**

- (21) Appl. No.: **29/575,465**
- (22) Filed: **Aug. 25, 2016**
- (51) **LOC (10) Cl.** **22-01**
- (52) **U.S. Cl.**
USPC **D22/109**
- (58) **Field of Classification Search**
USPC D22/108-109; D16/130, 132-134, 330; 89/111-113; 359/399, 823; 42/104, 105, 42/111-113, 116, 120, 124-126, 42/127-129, 141-148, 133-140; 33/227, 33/229
CPC F41G 1/00; F41G 1/01; F41G 1/02; F41G 1/06; F41G 1/065; F41G 1/08; F41G 1/10; F41G 1/12; F41G 1/14; F41G 1/30; F41G 1/32; F41G 1/38; F41G 1/40; F41G 1/42; F41G 1/44; F41G 1/46; F41G 1/383; F41G 1/387; F41G 1/393; F41G 3/00; F41G 3/005; F41G 3/02; F41G 3/04; F41G 3/06; F41G 3/14; F41G 11/001; F41G 11/002; F41G 11/003; F41G 11/004; F41G 11/005
See application file for complete search history.

(56) **References Cited**

U.S. PATENT DOCUMENTS

- 5,941,489 A * 8/1999 Fanelli F41G 1/16 248/298.1
 - D435,885 S * 1/2001 Wallace D22/100
- (Continued)

OTHER PUBLICATIONS

Aluminum Alloy Extension Gun Rail Mount for M4A1 / M16—Black, DX.com, [online], [site visited Jun. 19, 2017]. URL: <http://www.dx.com/p/aluminum-alloy-extension-gun-rail-mount-for-m4a1-m16-black-168343#.WUguHf7rtmM>.*

(Continued)

Primary Examiner — T. Chase Nelson
Assistant Examiner — Jonathan J Han

(74) *Attorney, Agent, or Firm* — Merchant & Gould, P.C.

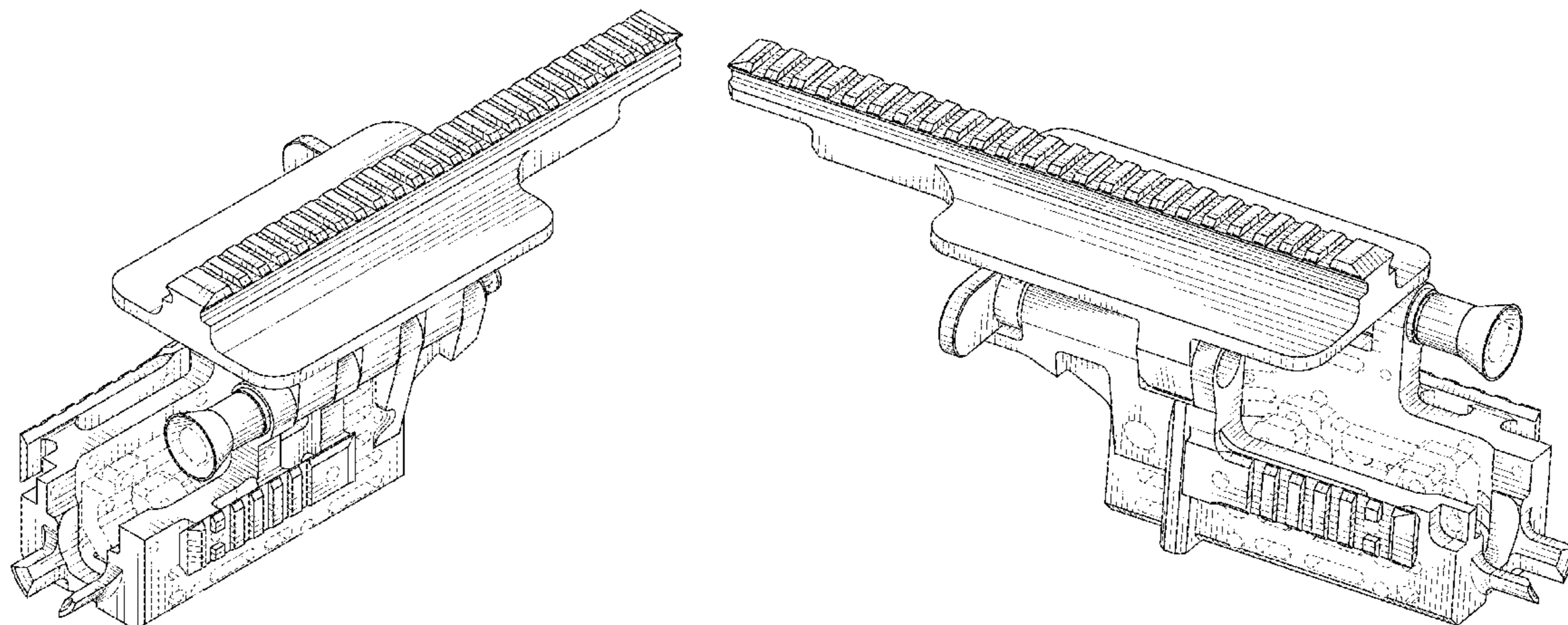
(57) **CLAIM**

The ornamental design for a firearm accessory mount, as shown and described.

DESCRIPTION

FIG. 1 is a perspective view of a firearm accessory mount according to the present disclosure.
 FIG. 2 is another perspective view of the firearm accessory mount of FIG. 1.
 FIG. 3 is a front view of the firearm accessory mount of FIG. 1.
 FIG. 4 is a rear view of the firearm accessory mount of FIG. 1.
 FIG. 5 is a left side view of the firearm accessory mount of FIG. 1.
 FIG. 6 is a right side view of the firearm accessory mount of FIG. 1.
 FIG. 7 is a top view of the firearm accessory mount of FIG. 1.
 FIG. 8 is a bottom view of the firearm accessory mount of FIG. 1; and,
 FIG. 9 is another perspective view of the firearm accessory mount of FIG. 1 shown in use on a firearm.
 The broken lines in the FIGS. 1 through 9 are used to illustrate unclaimed portions of the firearm accessory mount, as well as unclaimed firearm environment in FIG. 9, and form no part of the claimed design.

1 Claim, 8 Drawing Sheets



(56)

References Cited

U.S. PATENT DOCUMENTS

- D486,878 S * 2/2004 Selvaggio F41G 11/003
D22/110
- D510,120 S * 9/2005 Ding D22/108
- D511,365 S * 11/2005 Ding D22/108
- D513,298 S * 12/2005 Ding D22/110
- D513,299 S * 12/2005 Ding D22/110
- D533,618 S * 12/2006 Swan D22/110
- D537,901 S * 3/2007 Elkaim D22/109
- D542,880 S * 5/2007 Cheng D22/110
- D543,605 S * 5/2007 Cheng D22/110
- D548,811 S * 8/2007 Swan D22/109
- 7,367,152 B2 5/2008 Samson
- D577,094 S * 9/2008 Wallace D22/109
- 7,481,016 B2 * 1/2009 Gonzalez F41C 23/16
42/124
- D606,155 S * 12/2009 Swan D22/108
- D630,698 S * 1/2011 Peterson D22/103
- D637,683 S * 5/2011 Salsman, Sr. D22/108
- 8,104,211 B2 * 1/2012 Darian F41C 23/22
362/110
- D654,134 S * 2/2012 Edge D22/108
- D654,135 S * 2/2012 Edge D22/108
- D674,860 S * 1/2013 Deros D22/108
- 8,341,866 B1 1/2013 Gaddini
- D676,095 S * 2/2013 Peterson D22/108
- 8,510,983 B2 8/2013 Larue
- D709,582 S * 7/2014 Geissele D22/108
- 8,857,097 B2 10/2014 Rorick
- 8,898,948 B1 12/2014 Gaddini
- D725,223 S * 3/2015 Heidkamp D22/109
- 9,015,982 B1 * 4/2015 Powers F41G 1/44
42/119
- D732,628 S * 6/2015 Cheng D22/108
- D737,923 S * 9/2015 Norberg D22/108
- D737,925 S * 9/2015 Norberg D22/109
- D738,986 S * 9/2015 Anderson D22/109
- D739,912 S * 9/2015 Norberg D22/108
- 9,285,186 B1 * 3/2016 Di Veroli F41G 1/06
- D761,929 S * 7/2016 Hormann D22/108
- 2006/0162227 A1 7/2006 Samson
- 2007/0199225 A1 * 8/2007 Haugen F41G 11/003
42/85
- 2008/0005952 A1 * 1/2008 Sutherby F41G 11/003
42/90
- 2009/0038201 A1 * 2/2009 Cheng F41G 11/003
42/127
- 2011/0192068 A1 8/2011 Samson
- 2011/0197491 A1 * 8/2011 McCann F41G 1/033
42/132
- 2013/0008073 A1 * 1/2013 Clifton F41G 1/387
42/125
- 2013/0036650 A1 2/2013 Larue
- 2013/0185985 A1 * 7/2013 Ballard F41G 1/00
42/148
- 2013/0312309 A1 11/2013 Rorick
- 2015/0198397 A1 * 7/2015 Motley F41G 11/003
42/90
- 2016/0033234 A1 * 2/2016 Swift F41G 11/003
42/75.01
- 2016/0102946 A1 * 4/2016 Sharron F41G 11/003
42/90
- 2016/0102947 A1 * 4/2016 Visinski F41C 27/00
42/90
- 2017/0023333 A1 * 1/2017 Faifer F41G 11/003
- 2017/0059280 A1 * 3/2017 Fravor F41G 11/003

OTHER PUBLICATIONS

- Aim Sports Saiga 12g Quad Rail Mount with Covers, MountsPlus.com, [online], [site visited Jun. 19, 2017]. URL: http://www.mountsplus.com/AR-15_Accessories/AR-15_Scope_Rings/136-AIMS-MTSG02.html.*
- H&R1871 Nef Pardner Pump Shotgun Scope Base Rail Mount, TrinitySupply.com, [online], [site visited Jun. 19, 2017]. URL: <https://www.trinitysupply.com/H-R-1871-shotgun-saddle-mount-p/tr295.htm>.*
- Ultimate Arms Gear Tactical Heavy Duty Scope Sight Red Dot Weaver Picatinny Rail Mount, [online], [site visited Jun. 19, 2017]. URL: <http://ultimatearmsgear.com/products/ultimate-arms-gear-tactical-heavy-duty-scope-sight-red-dot-weaver-picatinny-rail-mount-for-the-m14-m-14-m1a-norinco-m305-battle-rifle>.*
- FN-FN Picatinny Direct Thread USG Side Rail Aluminum, Brownells.com, [online], [site visited Jun. 19, 2017]. URL: <http://www.brownells.com/rifle-parts/forend-amp-handguard-parts/handguards-amp-rails/fn-picatinny-direct-thread-usg-side-rail-aluminum-prod72446.aspx>.*
- EGW HD 1-piece Picatinny-Style Scope Base 11mm Dovetail Adapter CZ 452, 453, 455, 511 Matte, MidwayUSA.com, [online], [site visited Jun. 19, 2017]. URL: https://www.midwayusa.com/product/1018817933/egw_hd-1-piece-picatinny-style-scope-base-11mm-dovetail-adapter-cz-452-453-455-511-matte.*
- Sadlak Scope Mount M1A, M14 Matter, MidwayUSA.com, [online], [site visited Jun. 19, 2017]. URL: <https://www.midwayusa.com/product/2959580945/sadlak-scope-mount-m1a-m14-matte>.*
- ArmaDynamics PKM-RAP Mount, Amazon.com, [online], [site visited Jun. 19, 2017]. URL: https://www.amazon.com/Armadynamics-ArmaDynamics-PKM-RAP-Mount/dp/B003JIIVS8/ref=sr_1_189?s=hunting-fishing&ie=UTF8&qid=1497904857&sr=1-189&refinements=p_n_feature_keywords_browse-bin%3A4357984011.*

* cited by examiner

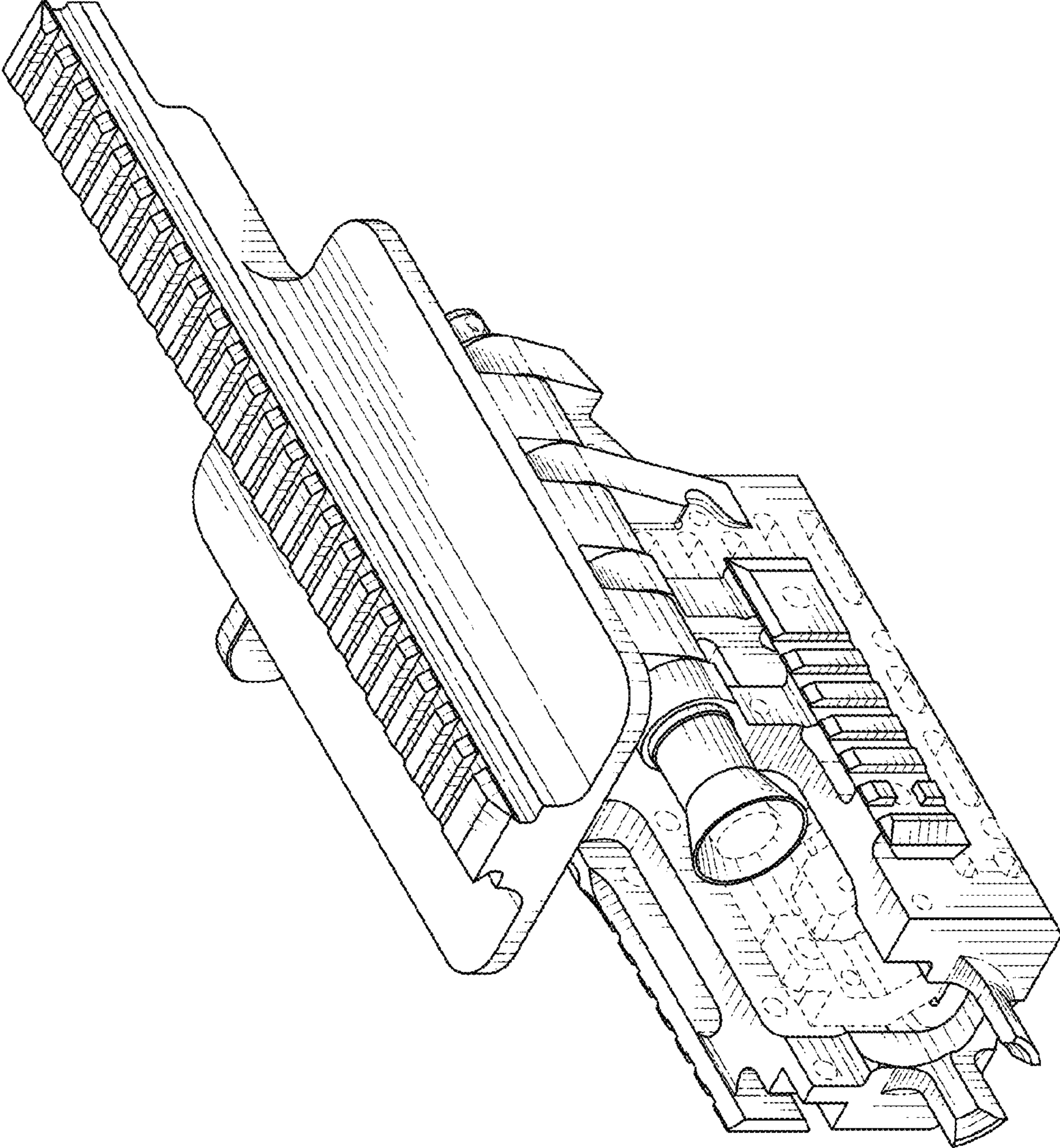


FIG. 1

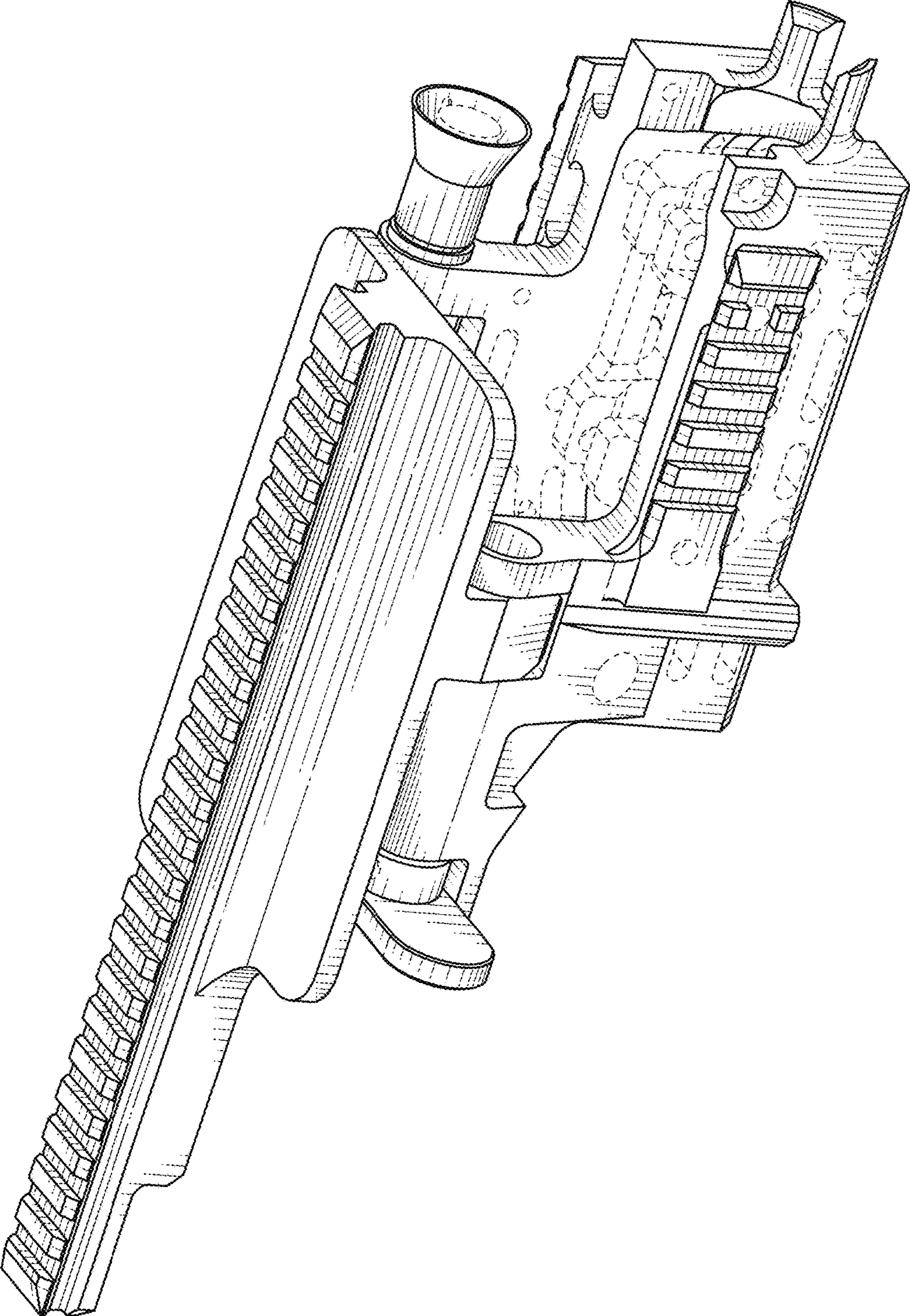


FIG. 2

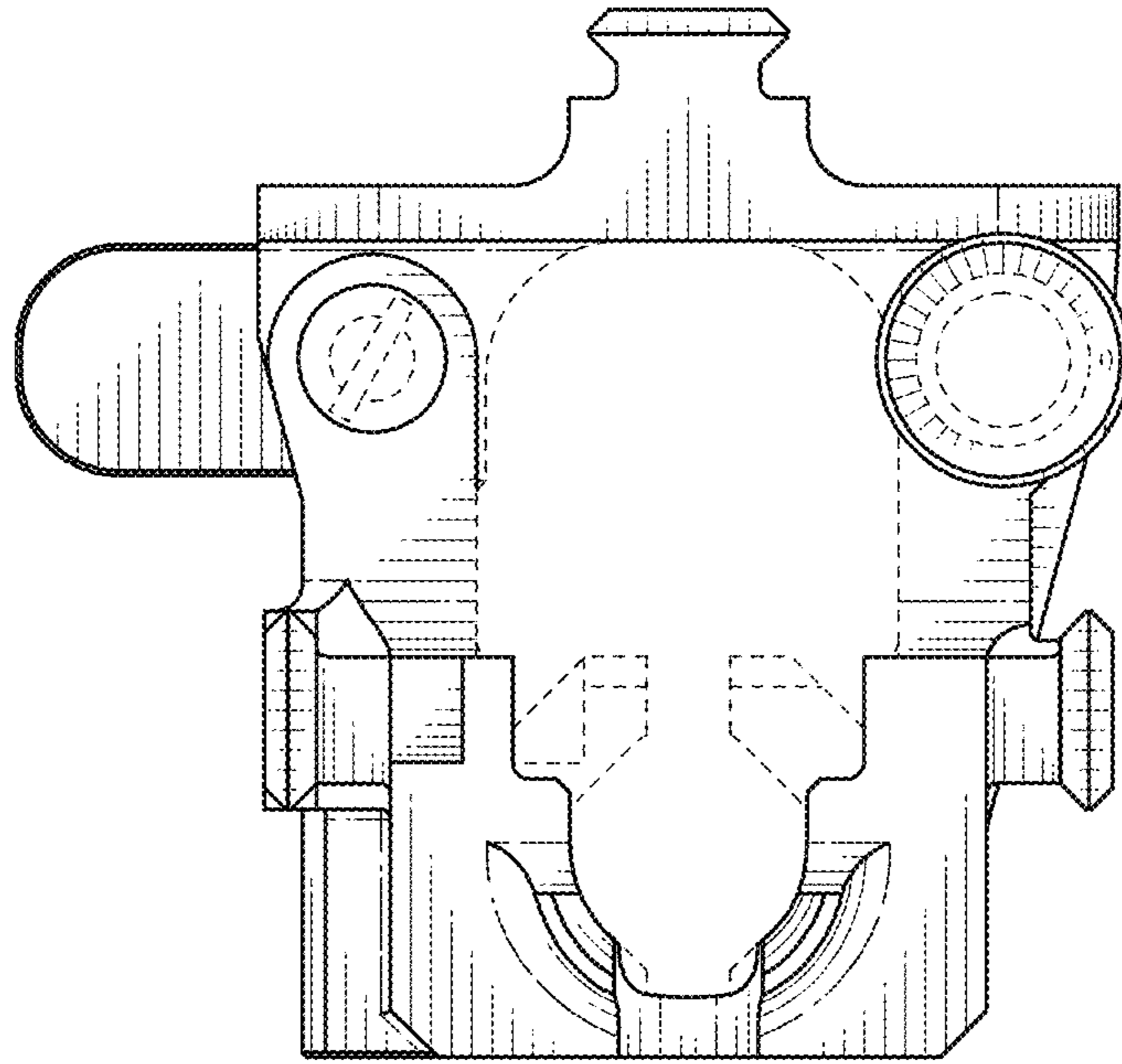


FIG. 3

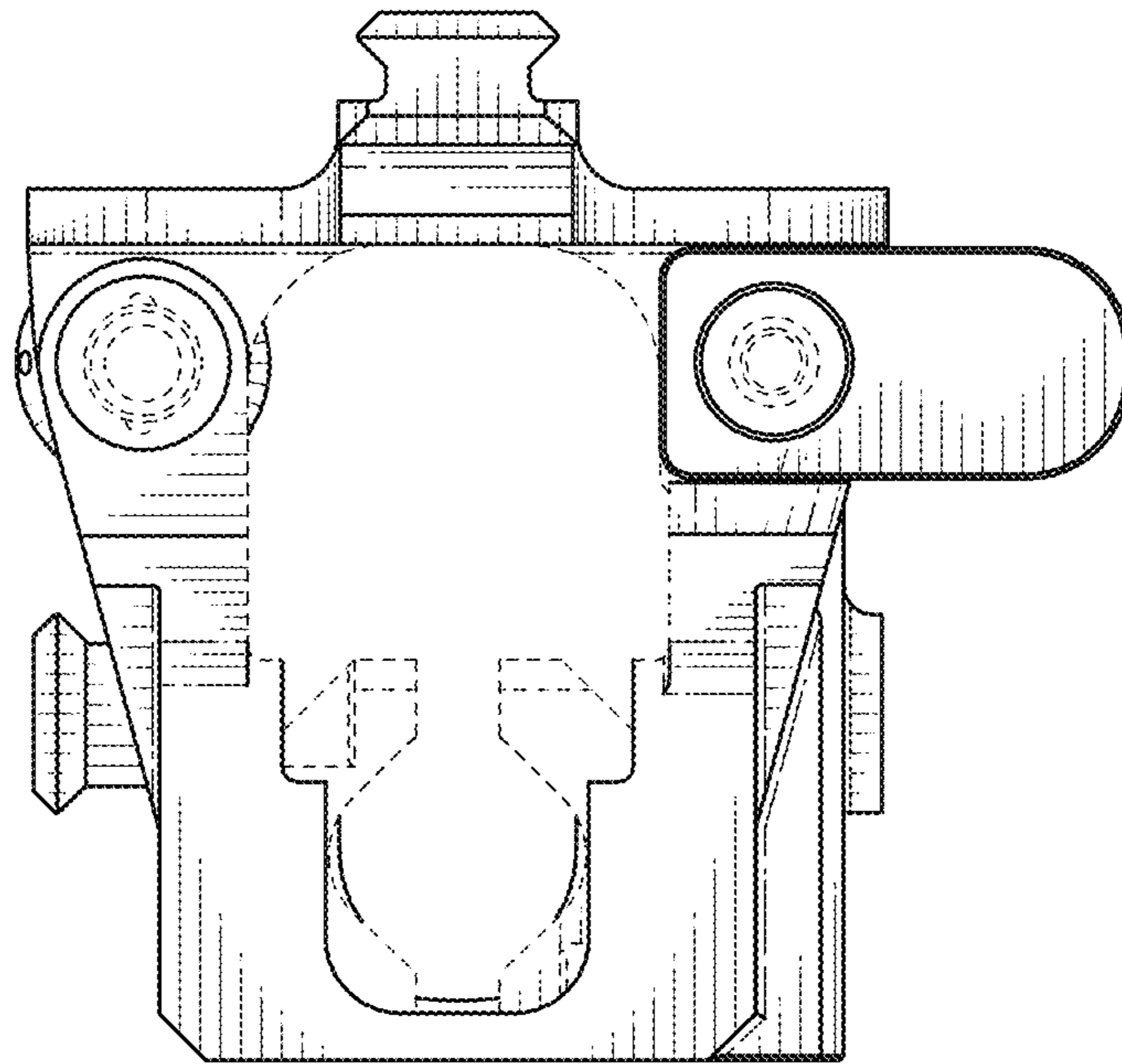


FIG. 4

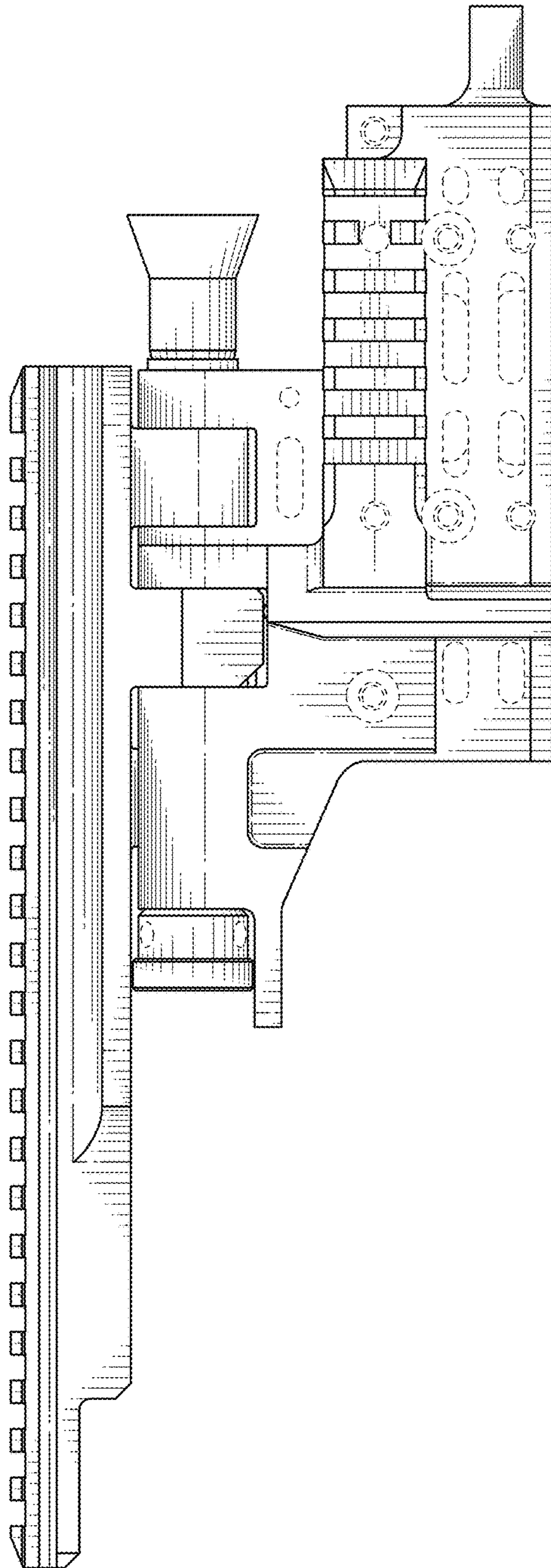


FIG. 5

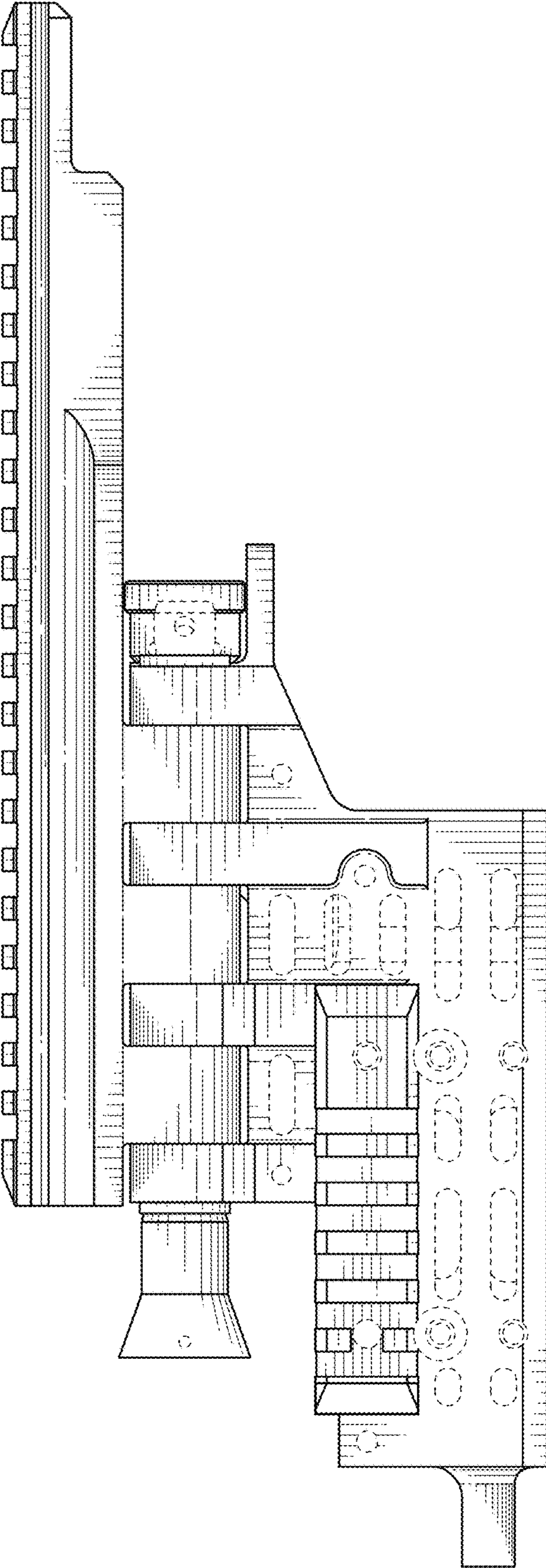


FIG. 6

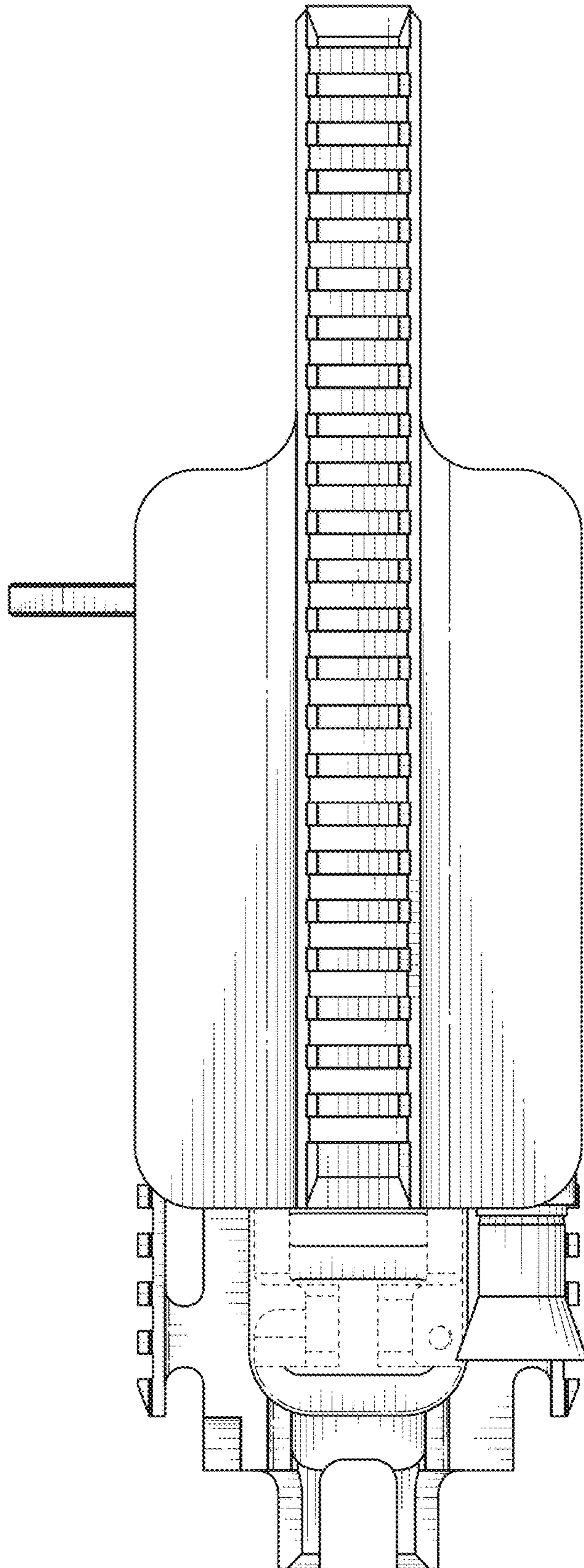


FIG. 7

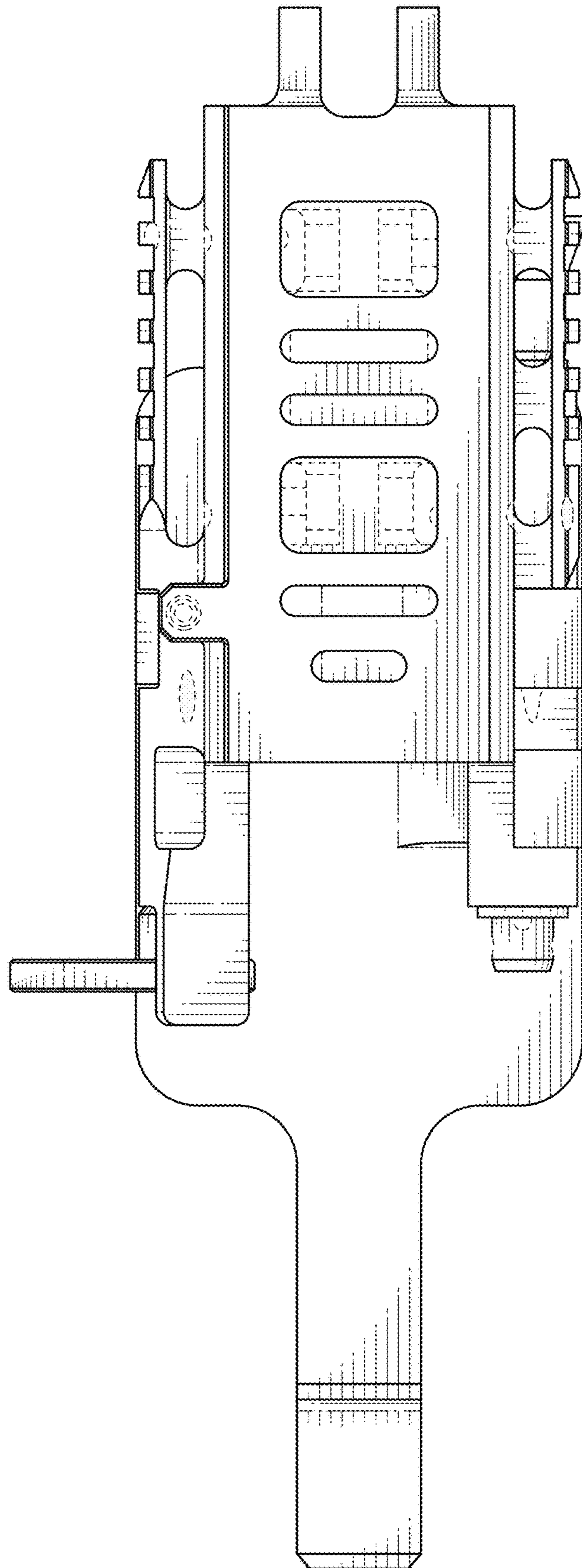


FIG. 8

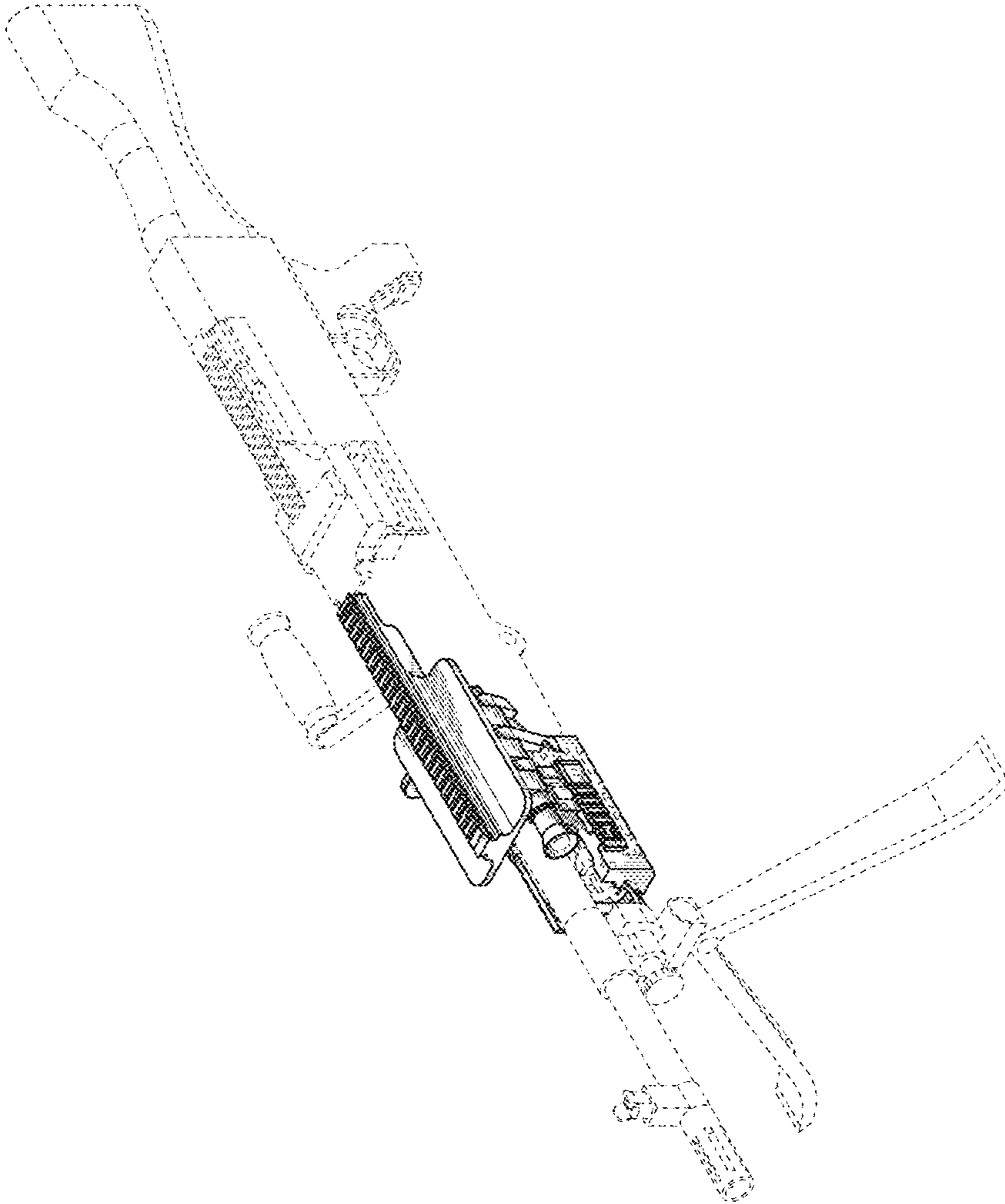


FIG. 9