



US00D802076S

(12) **United States Design Patent** (10) **Patent No.:** **US D802,076 S**  
**Zhu** (45) **Date of Patent:** **\*\* Nov. 7, 2017**

(54) **SWING DEVICE**

FOREIGN PATENT DOCUMENTS

(71) Applicant: **Hongyan Zhu**, Dongguan (CN)

JP 2967130 B1 \* 10/1999 ..... A63G 9/02  
JP 3696658 B2 \* 9/2005 ..... A63G 9/02  
WO WO 2006096712 A2 \* 9/2006 ..... A47D 13/105

(72) Inventor: **Hongyan Zhu**, Dongguan (CN)

(\*\*) Term: **15 Years**

OTHER PUBLICATIONS

(21) Appl. No.: **29/552,372**

Amazon, Hedstrom Folding Toddler Swing, customer review on Oct. 3, 2013, [online], [site visited on May 23, 2017]. Available from Internet, <URL: <https://www.amazon.com/Hedstrom-M08651-Folding-Toddler-Swing/dp/B000OW9Z3W>>.\*

(22) Filed: **Jan. 21, 2016**

Walmart, Sportspower My First Toddler Swing, customer review on Jun. 18, 2015, [online], [site visited on May 23, 2017]. Available from Internet, <URL: <https://www.walmart.com/ip/Sportspower-My-First-Toddler-Swing/38583692>>.\*

(51) **LOC (10) Cl.** ..... **21-03**

(52) **U.S. Cl.**

USPC ..... **D21/823**

(58) **Field of Classification Search**

USPC ..... D21/811, 814, 818, 819, 820, 822, 823,  
D21/824

CPC ..... A63G 21/00; A63G 21/02; A63G 21/04;  
A63G 21/06; A63G 21/08; A63G 21/10;  
A63G 21/12; A63G 21/14; A63G 21/16;  
A63G 21/18; A63G 21/20; A63G 21/22;  
A63G 9/00; A63G 9/02; A63G 9/04;  
A63G 9/12; A63G 9/08; A63G 13/00;  
A63G 13/02

See application file for complete search history.

*Primary Examiner* — Sheryl Lane

*Assistant Examiner* — Samantha Wood

(74) *Attorney, Agent, or Firm* — George G. Wang; Bei & Ocean

(Continued)

(57) **CLAIM**

The ornamental design for a swing device, as shown and described.

**DESCRIPTION**

FIG. 1 is a perspective view of a swing device showing my new design.

FIG. 2 is a rear perspective view thereof.

FIG. 3 is a front view thereof.

FIG. 4 is a rear view thereof.

FIG. 5 is a left end view thereof.

FIG. 6 is a right end view thereof.

FIG. 7 is a top view thereof; and,

FIG. 8 is a bottom view thereof.

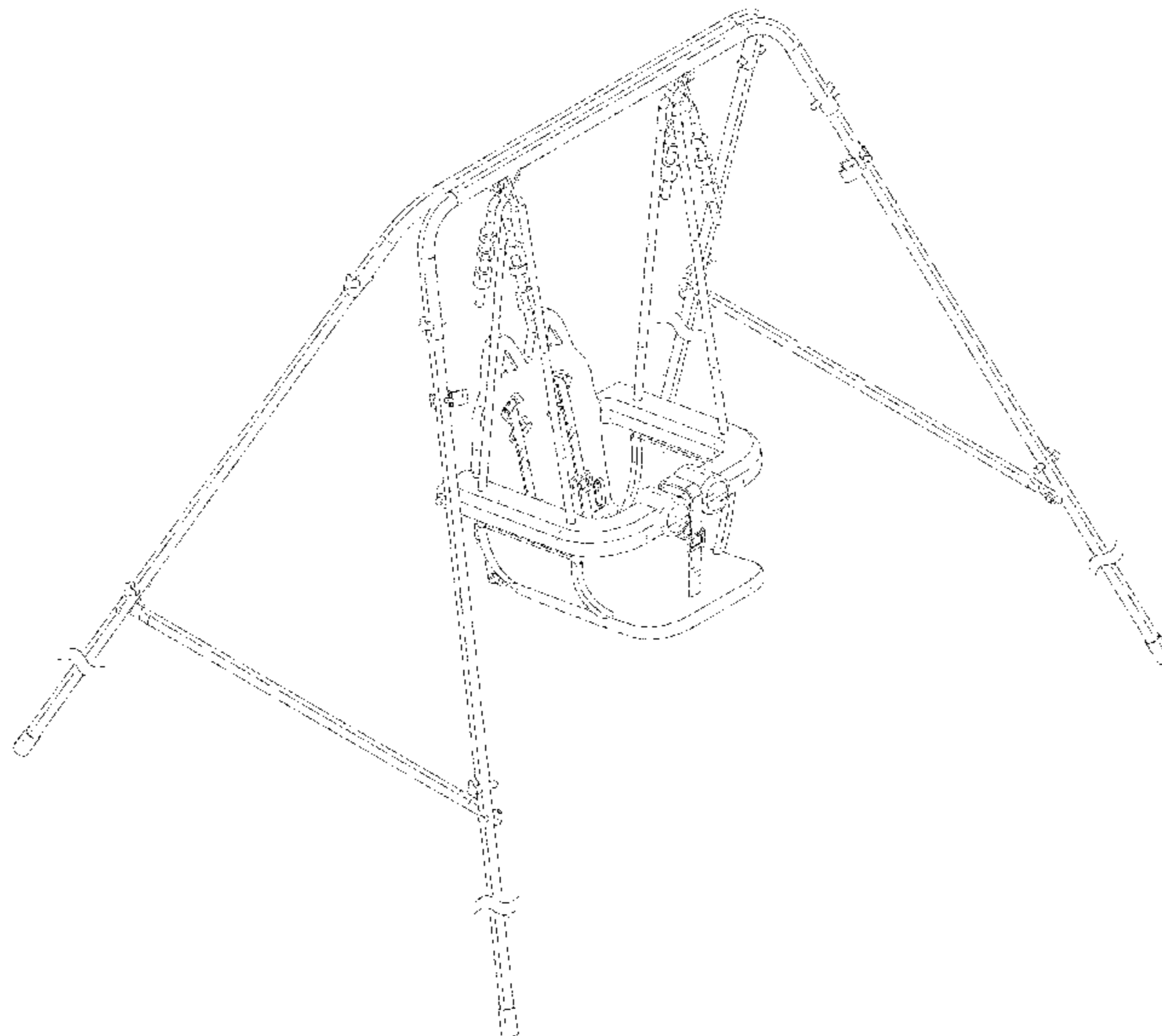
The swing device is shown with symbolic breaks in its length. The appearance of any portion of the article between the break lines forms no part of the claimed design.

(56) **References Cited**

U.S. PATENT DOCUMENTS

D241,561 S \* 9/1976 Tomalloas ..... D21/825  
D298,187 S \* 10/1988 Lacewell ..... D21/823  
D341,645 S \* 11/1993 Houry ..... D21/823  
D358,627 S \* 5/1995 Monneret ..... D21/815  
D517,636 S \* 3/2006 Bolland ..... D21/823  
2010/0048311 A1 \* 2/2010 Spencer ..... A63G 9/00  
472/118  
2015/0202535 A1 \* 7/2015 Koziol ..... A63G 9/10  
472/118

**1 Claim, 8 Drawing Sheets**



(56)

**References Cited**

OTHER PUBLICATIONS

Amazon, Folding Toddler Swing, first available May 5, 2015, [online], [site visited on May 23, 2017]. Available from Internet, <URL: <https://www.amazon.co.uk/dp/B016WJWUKA?psc=1>>.\*

Amazon, Sportspower Folding Toddler Indoor Outdoor Swing Set, customer review on Feb. 8, 2014, [online], [site visited on May 23, 2017]. Available from Internet, <URL: <https://www.amazon.com/Sportspower-Folding-Toddler-Indoor-Outdoor/dp/B00G66UDAO>>.\*

Toys R Us, Action Nursery Swing—Green, customer review on Oct. 29, 2015, [online], [site visited on Jun. 2, 2017]. Available from Internet, <URL: <https://www.toysrus.com.au/action-nursery-swing-green/>>.\*

\* cited by examiner

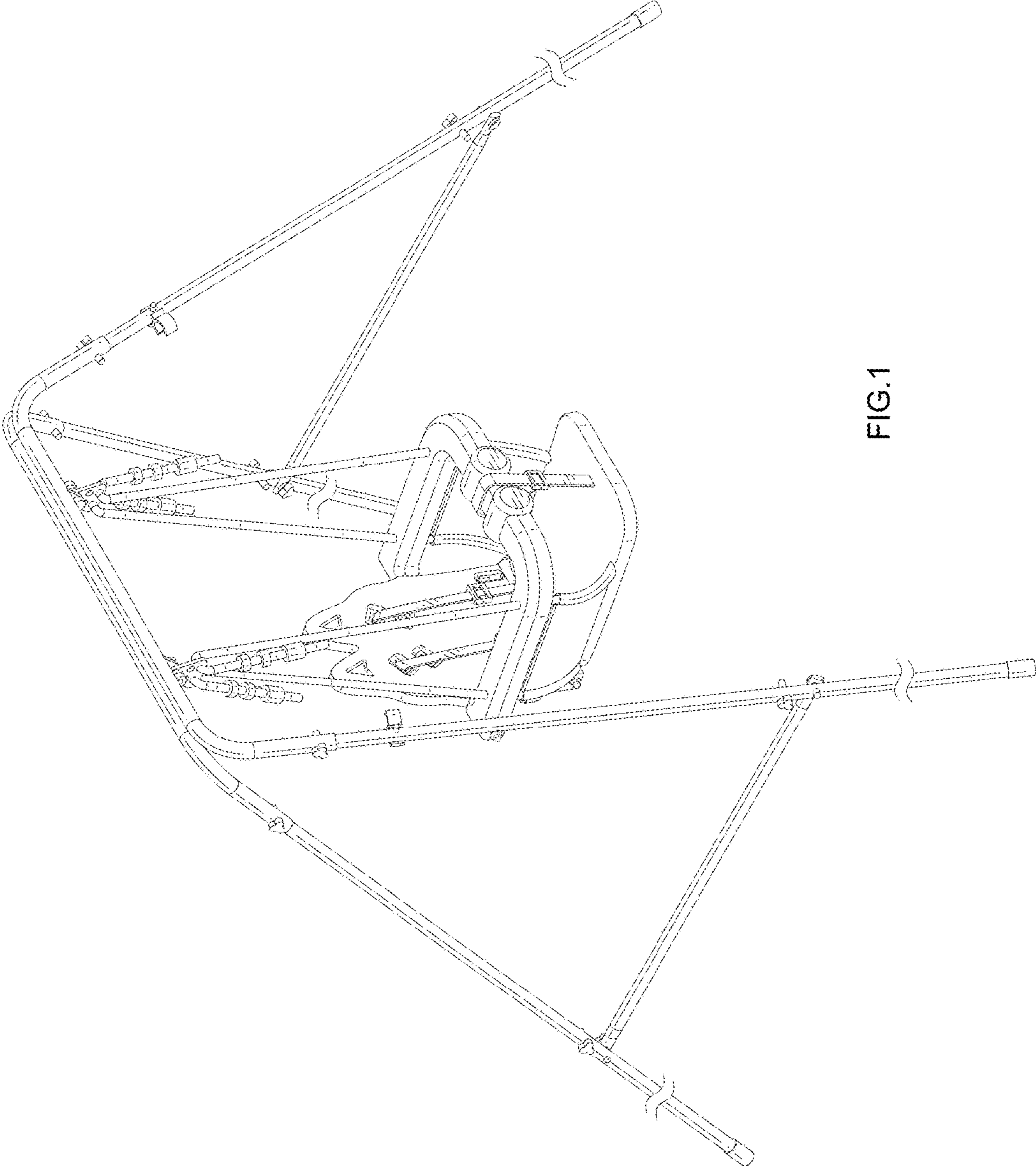


FIG.1

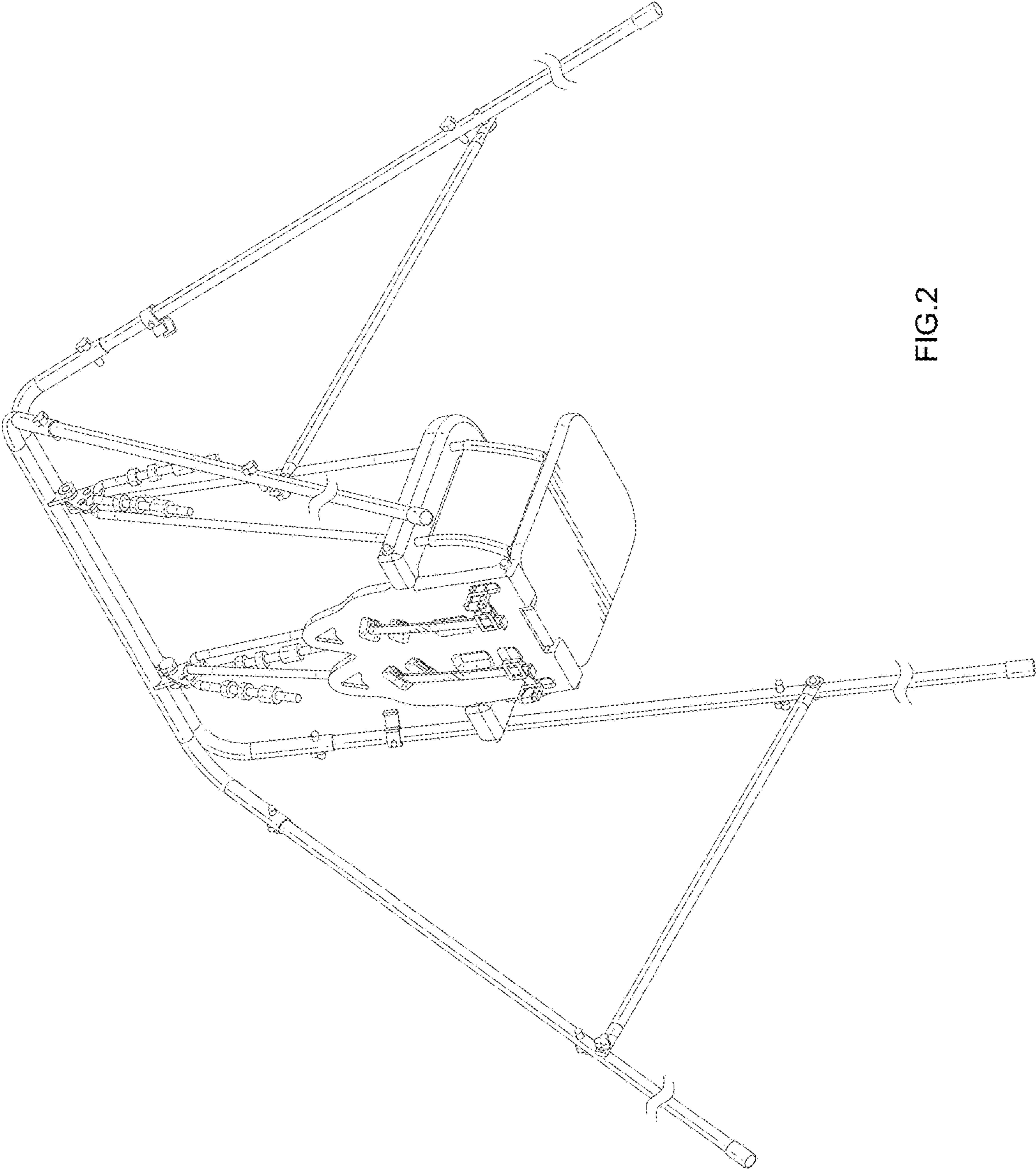


FIG.2

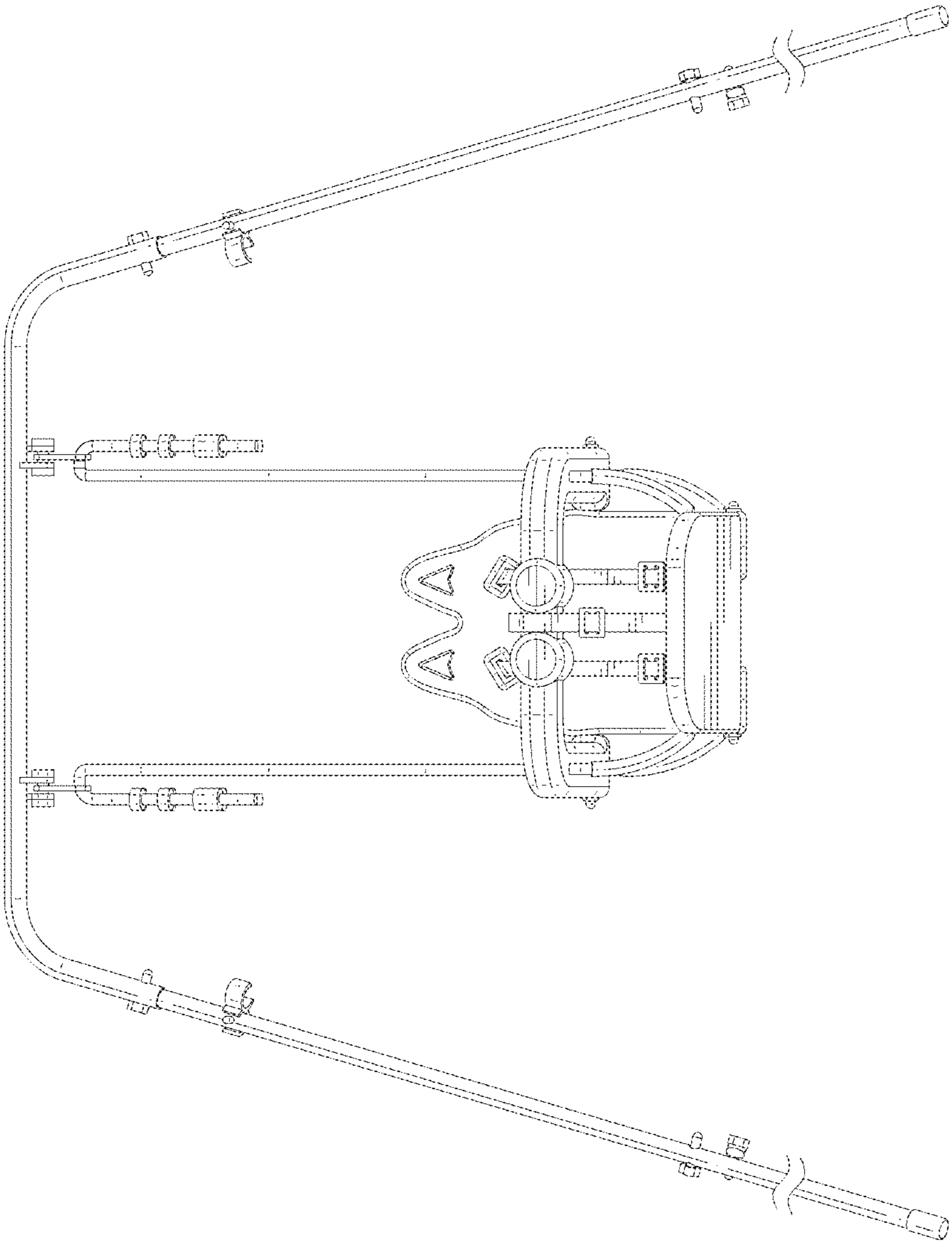


FIG.3

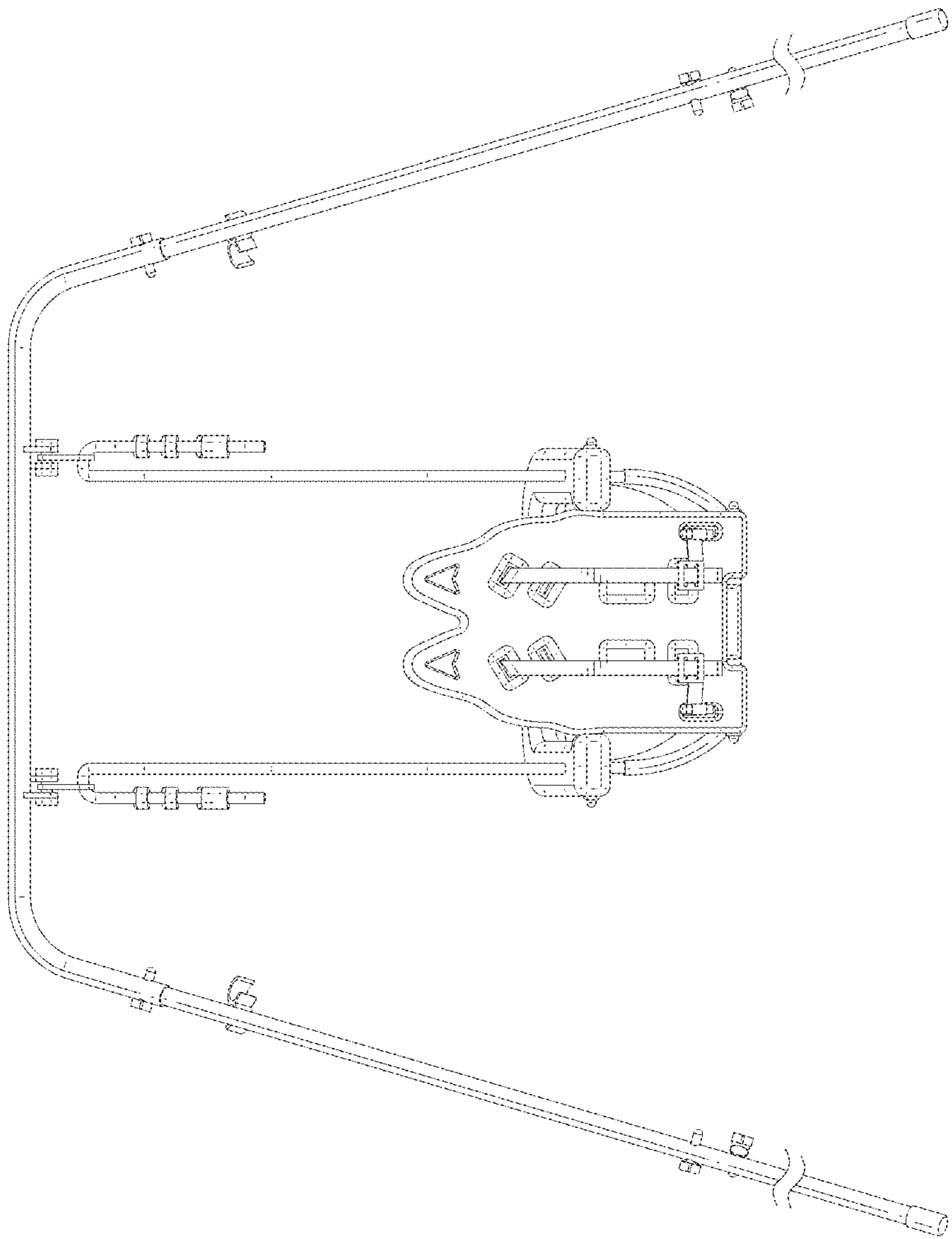


FIG.4

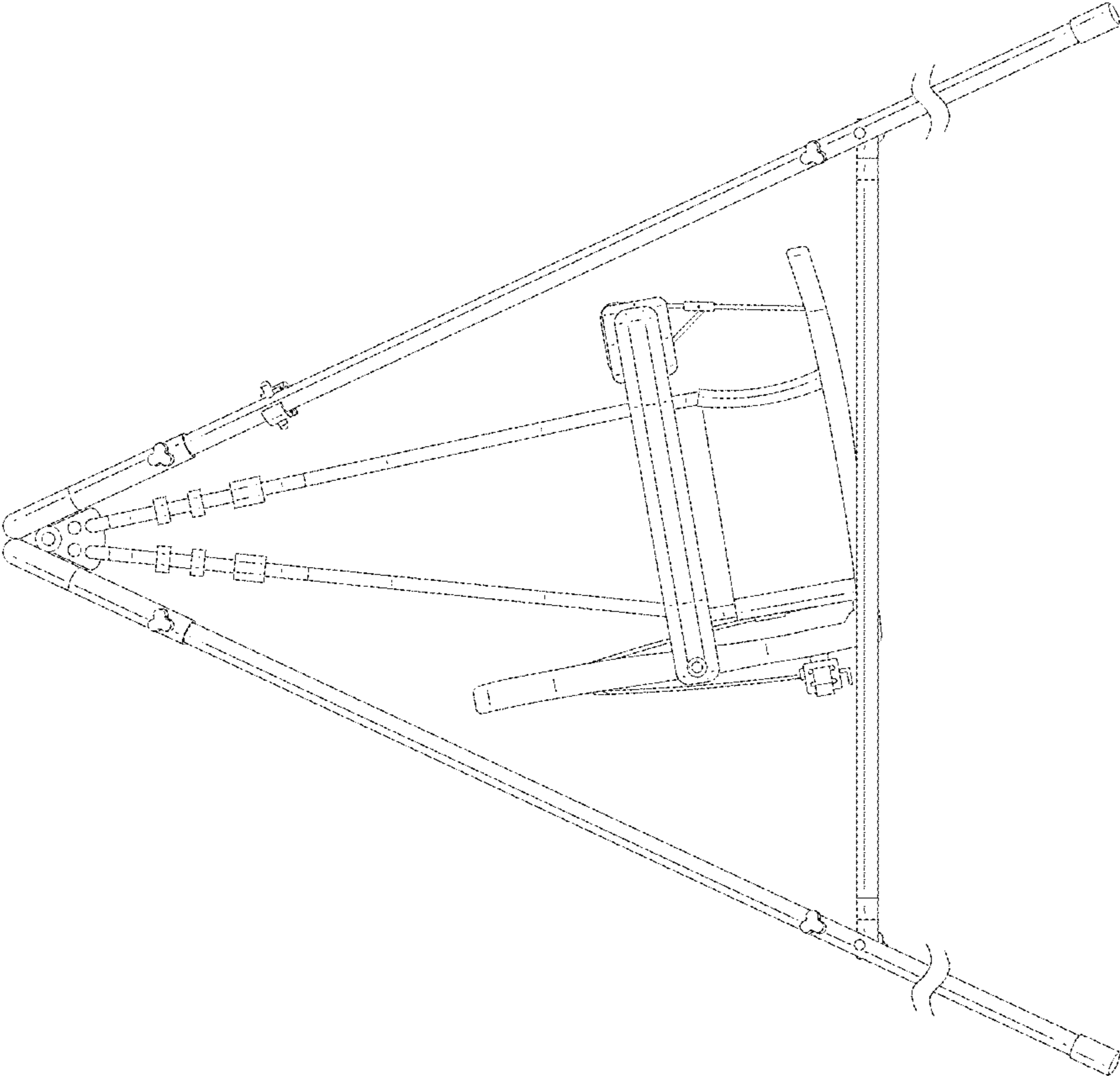


FIG.5

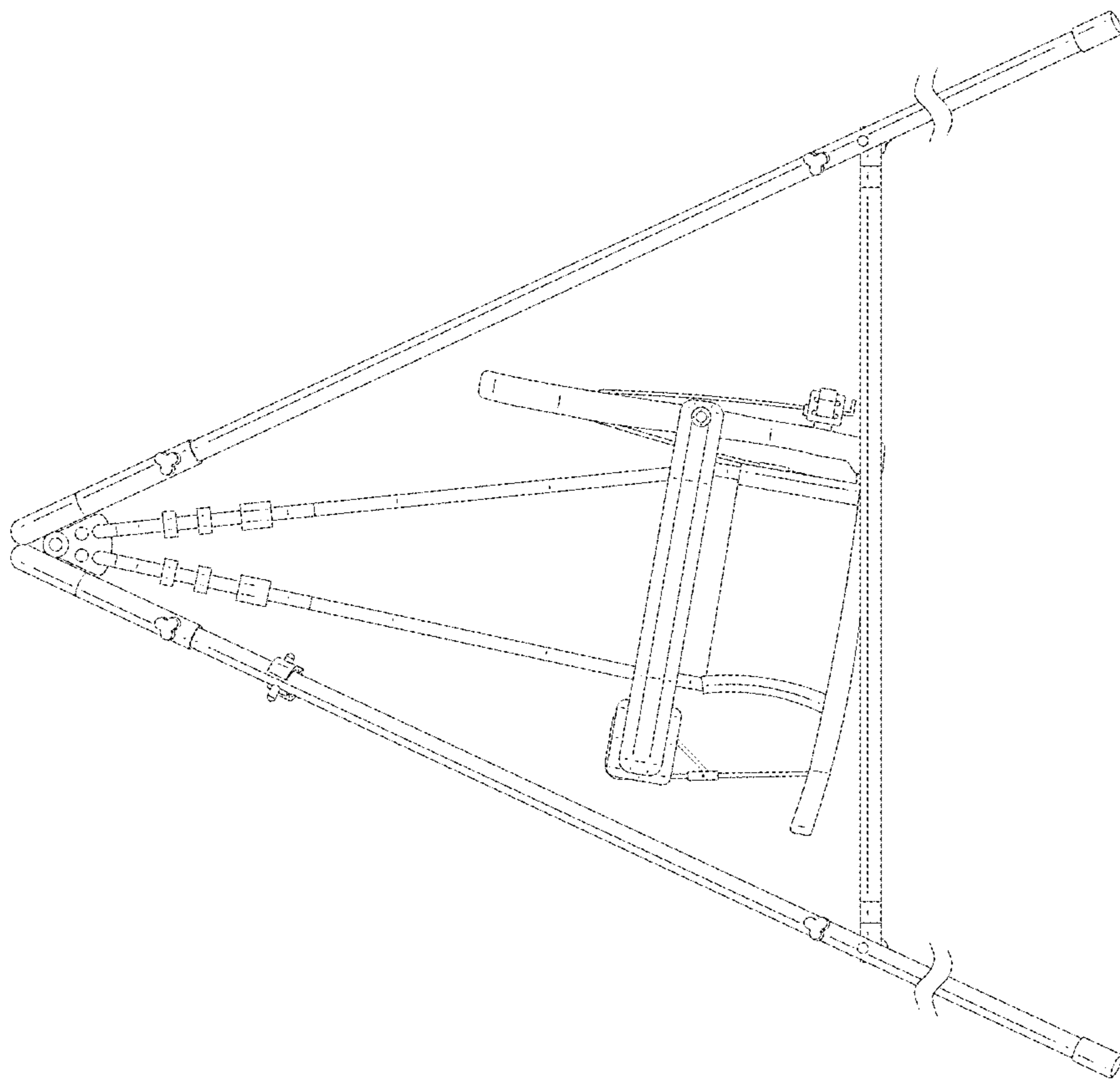


FIG.6



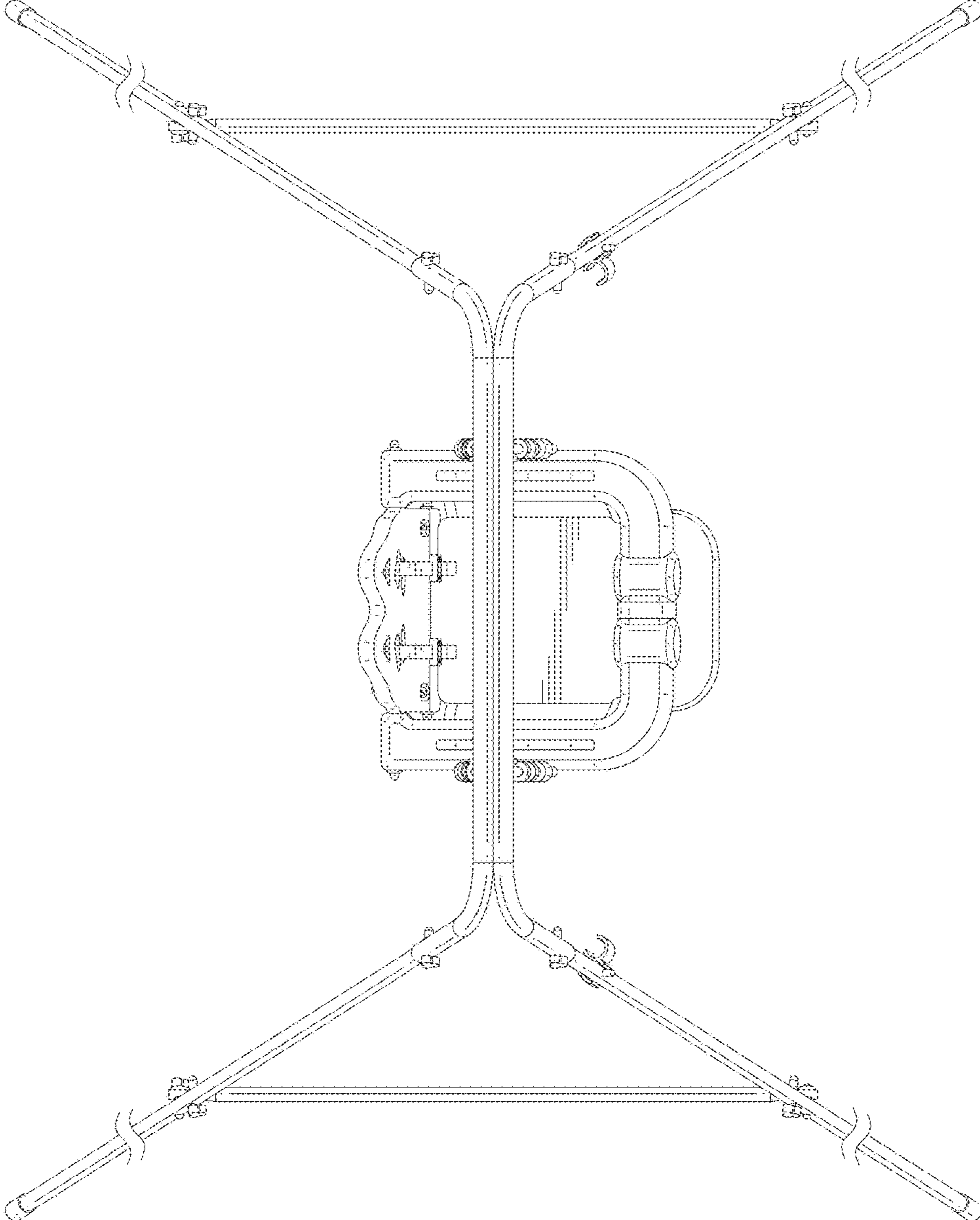


FIG.7

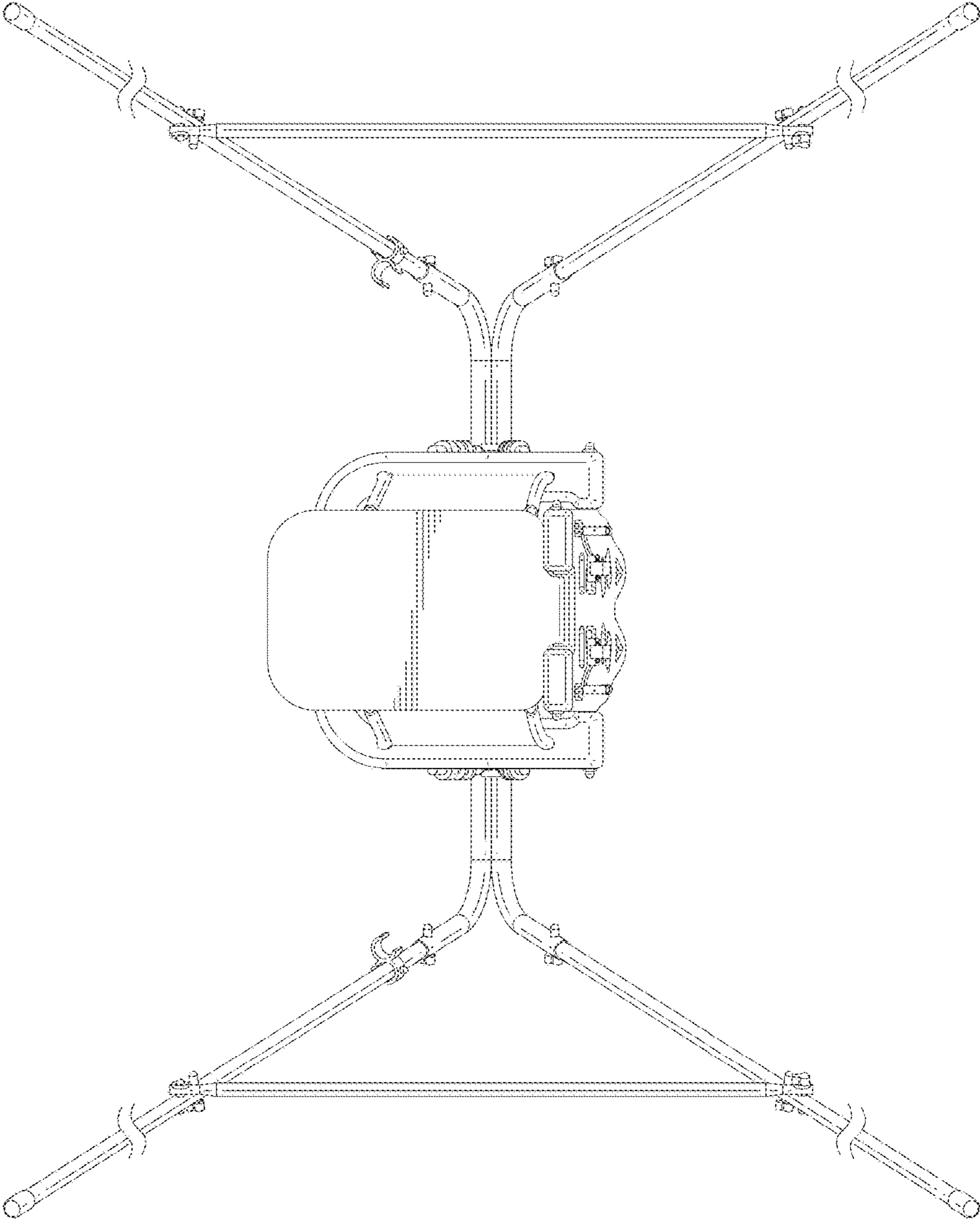


FIG.8