



US00D802075S

(12) **United States Design Patent** (10) **Patent No.:** **US D802,075 S**
Wampold (45) **Date of Patent:** **** Nov. 7, 2017**

(54) **GUMBALL FLOAT**

(71) Applicant: **BigMouth, Inc.**, Glastonbury, CT (US)

(72) Inventor: **Stephen Wampold**, Glastonbury, CT (US)

(73) Assignee: **BIGMOUTH, INC.**, Glastonbury, CT (US)

(**) Term: **15 Years**

(21) Appl. No.: **29/557,139**

(22) Filed: **Mar. 7, 2016**

(51) **LOC (10) Cl.** **21-03**

(52) **U.S. Cl.**
USPC **D21/803**

(58) **Field of Classification Search**

USPC D21/769-770, 801, 803, 809; D12/5, 6, D12/316; D6/392, 595, 596, 601, 604, D6/605

CPC B63B 35/74; B63B 35/76; B63B 35/78; B63B 35/79; B63B 35/7906; B63B 35/7909; B63B 35/7913; B63B 35/7916; B63B 35/792; B63B 35/7923; B63B 35/7926; B63B 35/793

See application file for complete search history.

(56) **References Cited**

U.S. PATENT DOCUMENTS

3,432,904	A *	3/1969	Stewart	F16K 15/20 137/223
5,162,007	A *	11/1992	Leslie	A47C 27/081 441/129
5,383,804	A *	1/1995	Mitch	B63B 35/76 441/66
5,476,404	A *	12/1995	Price	B63B 35/76 441/126
6,702,635	B2 *	3/2004	Soares	A47C 4/54 441/131

(Continued)

Primary Examiner — Zenia Bennett

(74) *Attorney, Agent, or Firm* — Epstein Drangel LLP; Robert L. Epstein

(57) **CLAIM**

The ornamental design for a gumball float, as shown and described.

DESCRIPTION

FIG. 1 is a perspective view showing the front, top and right side of the first preferred embodiment of my design;

FIG. 2 is an elevation view of the front of the first preferred embodiment my design;

FIG. 3 is an elevation view of the rear of the first preferred embodiment my design;

FIG. 4 is an elevation view of the left side of the first preferred embodiment my design;

FIG. 5 is an elevation view of the right side of the first preferred embodiment other side of my design;

FIG. 6 is a top plan view of the first preferred embodiment my design;

FIG. 7 is a bottom plan view of the first preferred embodiment my design;

FIG. 8 is a perspective view showing the front, top and left side of the second preferred embodiment of my design;

FIG. 9 is an elevation view of the front of the second preferred embodiment my design;

FIG. 10 is an elevation view of the rear of the second preferred embodiment my design;

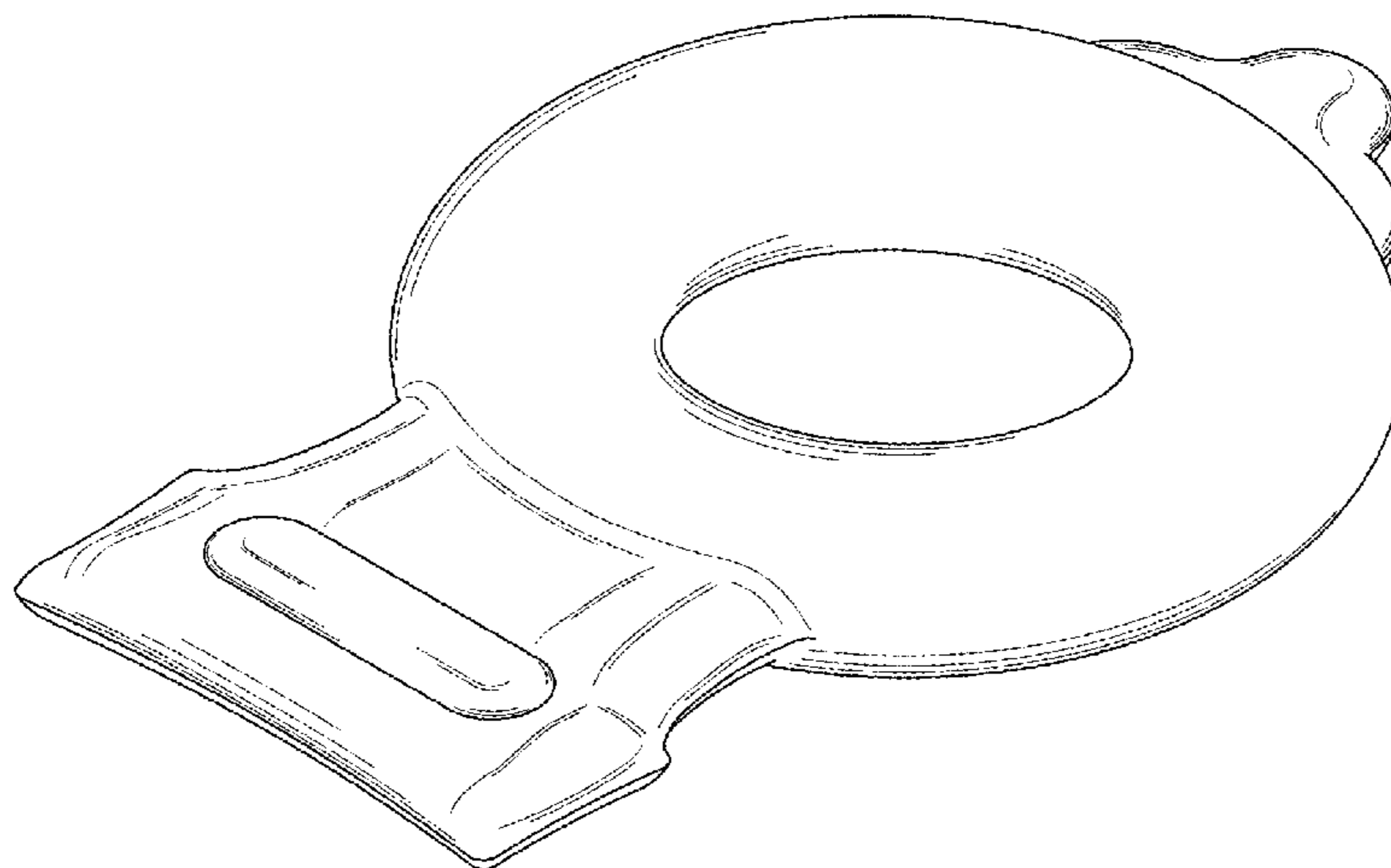
FIG. 11 is an elevation view of the left side of the second preferred embodiment my design;

FIG. 12 is an elevation view of the right side of the second preferred embodiment other side of my design;

FIG. 13 is a top plan view of the second preferred embodiment my design; and,

FIG. 14 is a bottom plan view of the second preferred embodiment my design.

1 Claim, 10 Drawing Sheets



(56)

References Cited

U.S. PATENT DOCUMENTS

6,896,569 B1 *	5/2005	Wittenrich	B63B 35/76 114/346
7,421,968 B1 *	9/2008	Hu	B63B 43/14 114/219

* cited by examiner

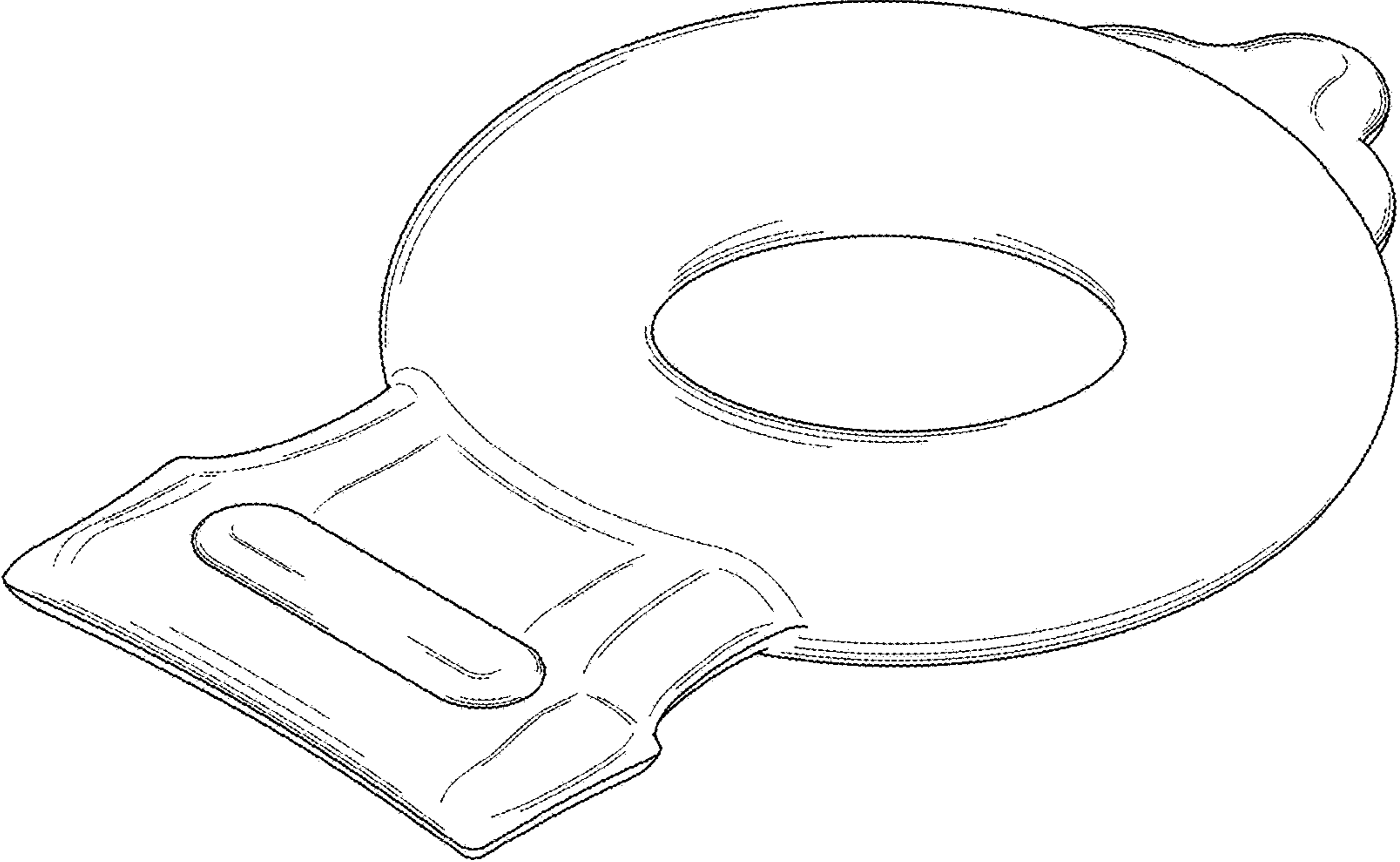


FIG. 1

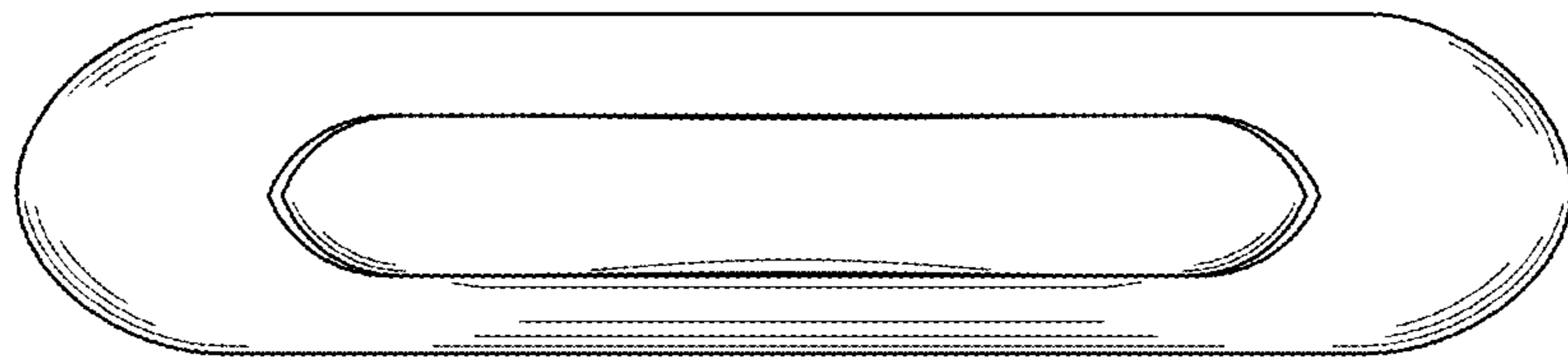


FIG. 2

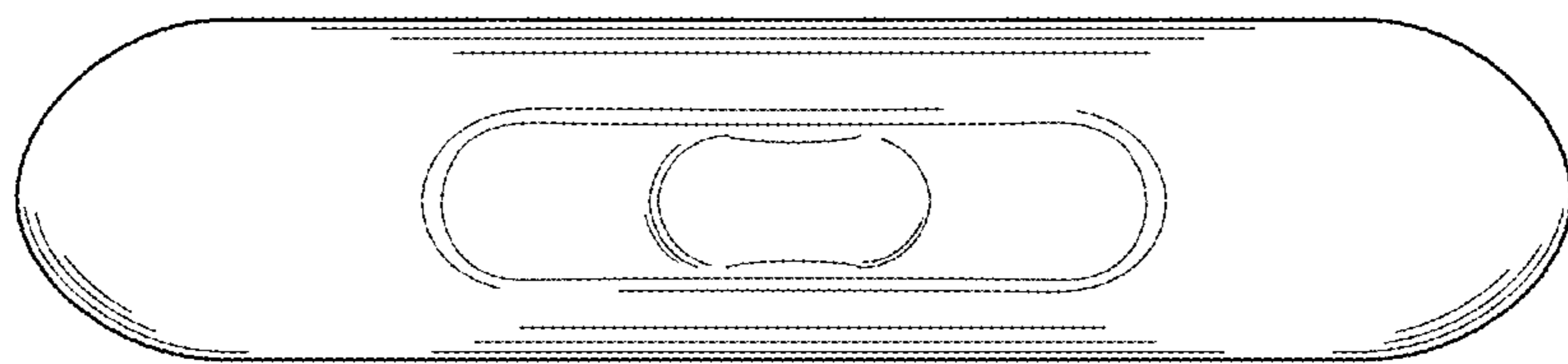


FIG. 3

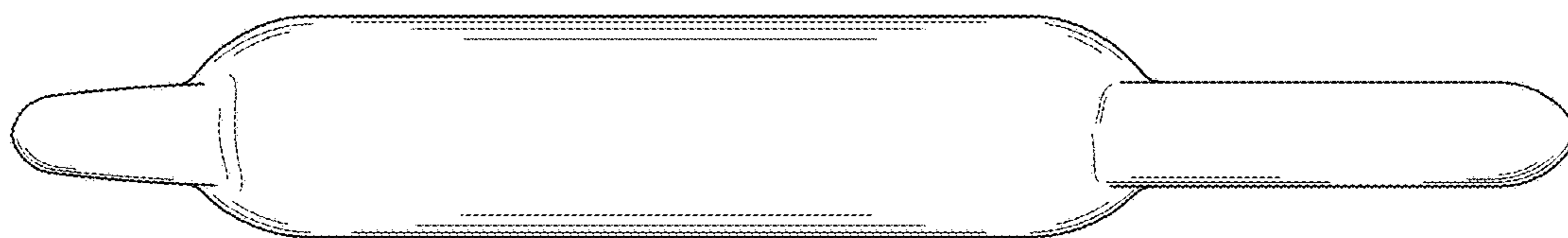


FIG. 4

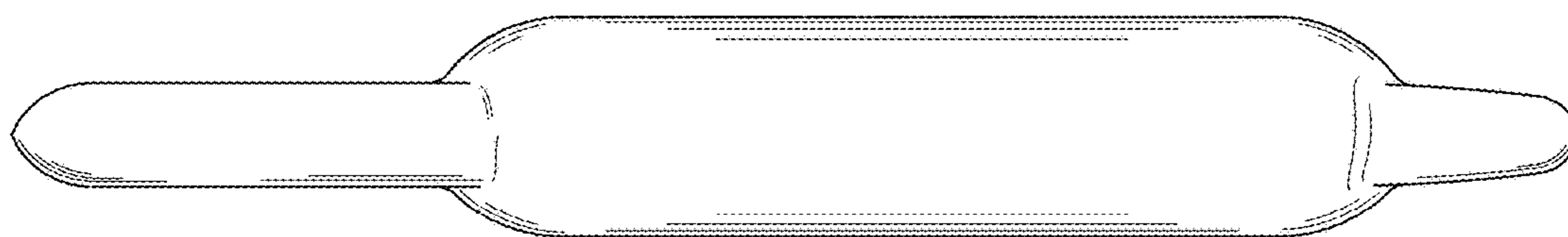


FIG. 5

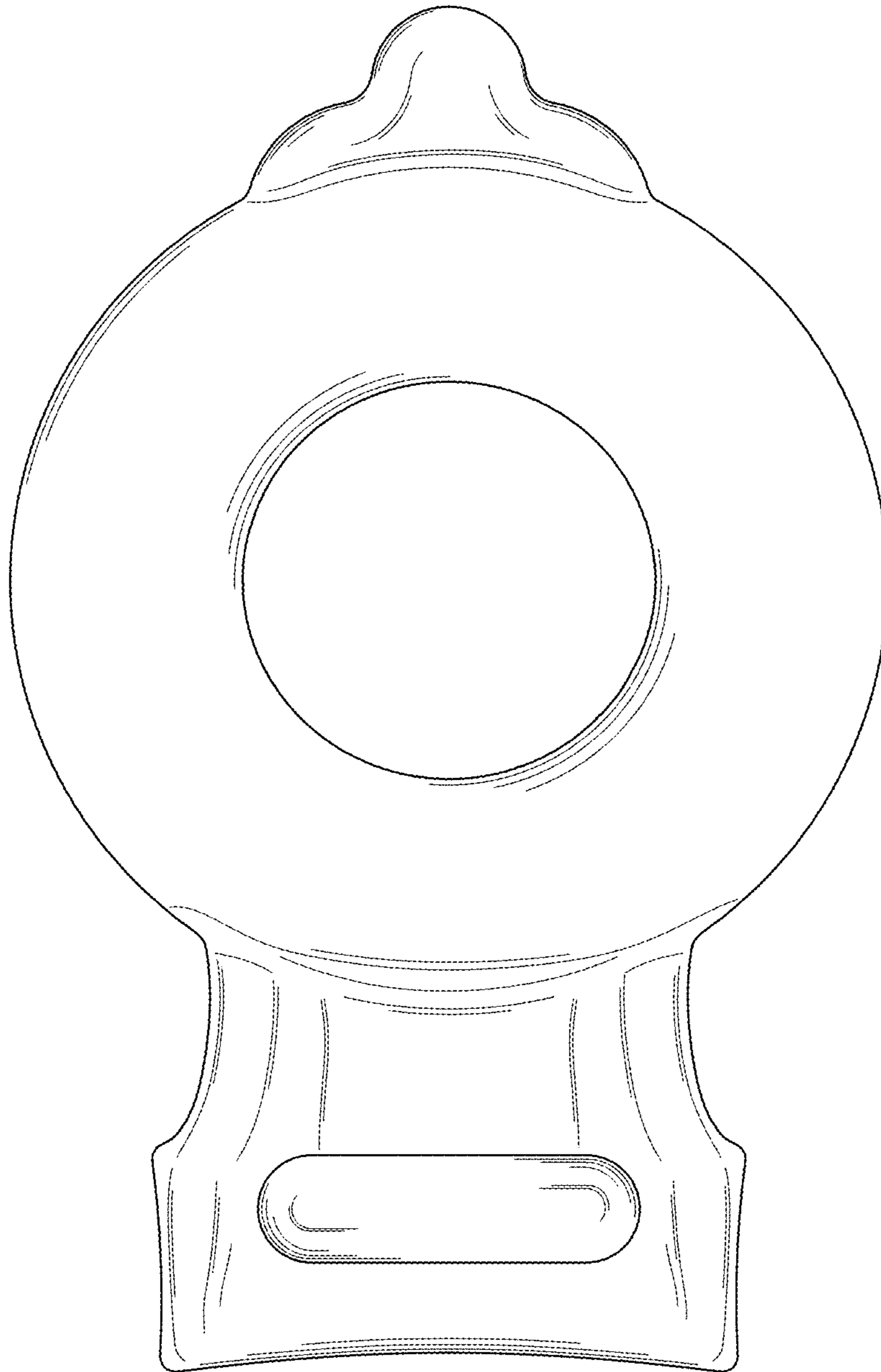


FIG. 6

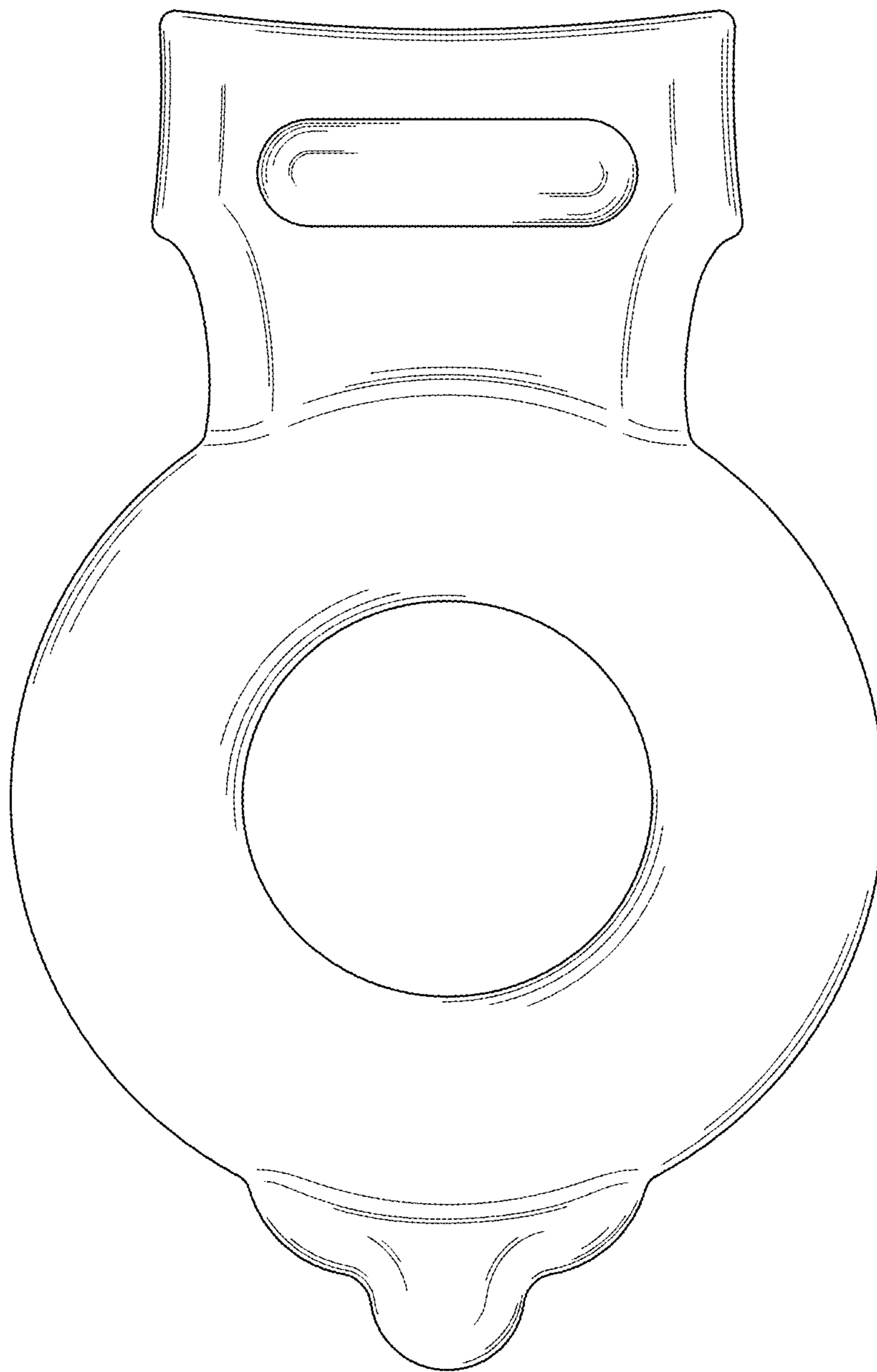


FIG. 7

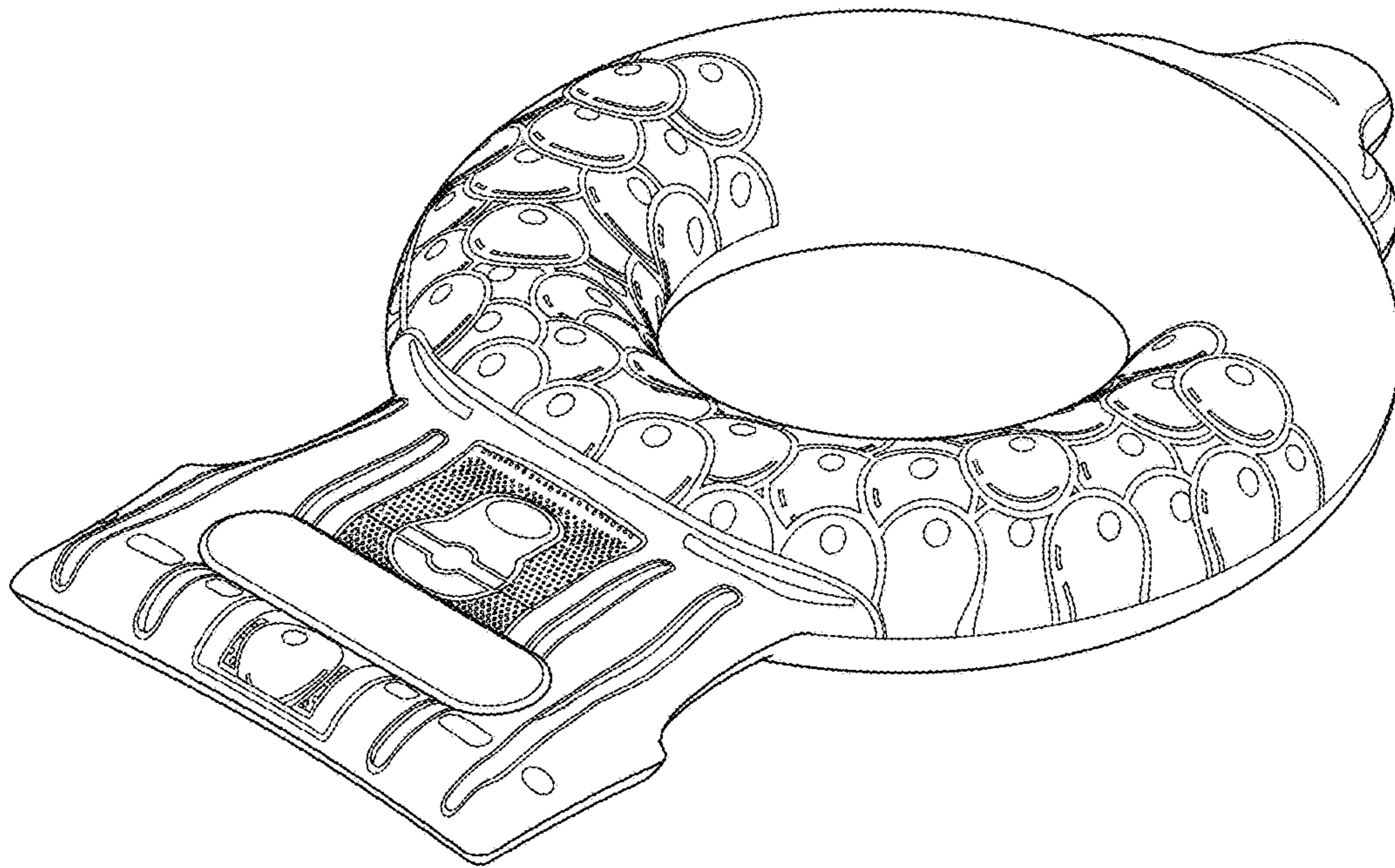


FIG. 8

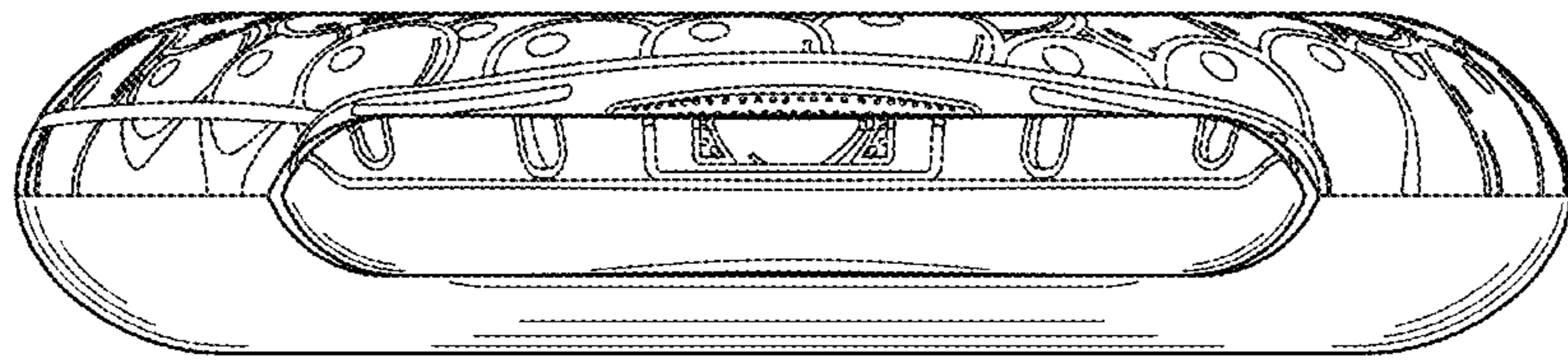


FIG. 9

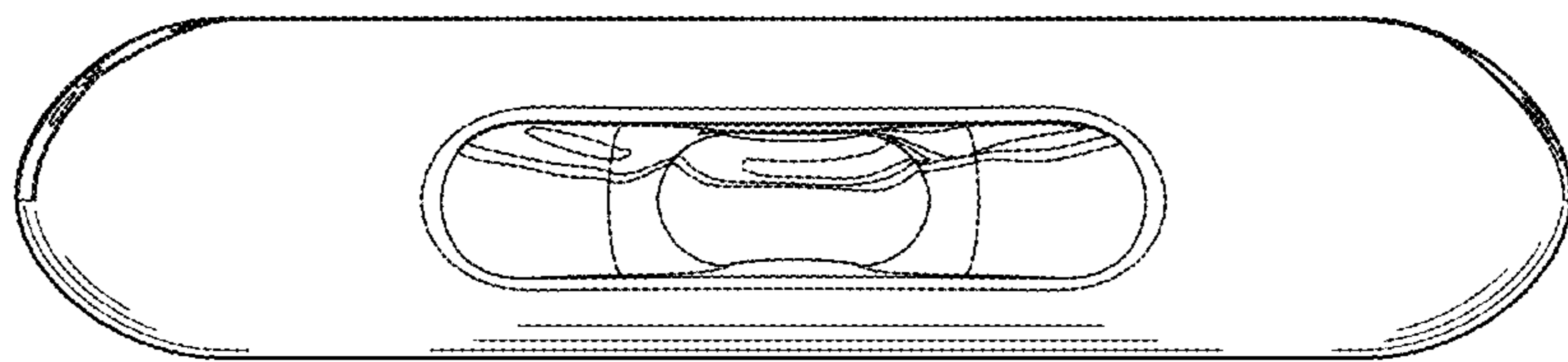


FIG. 10

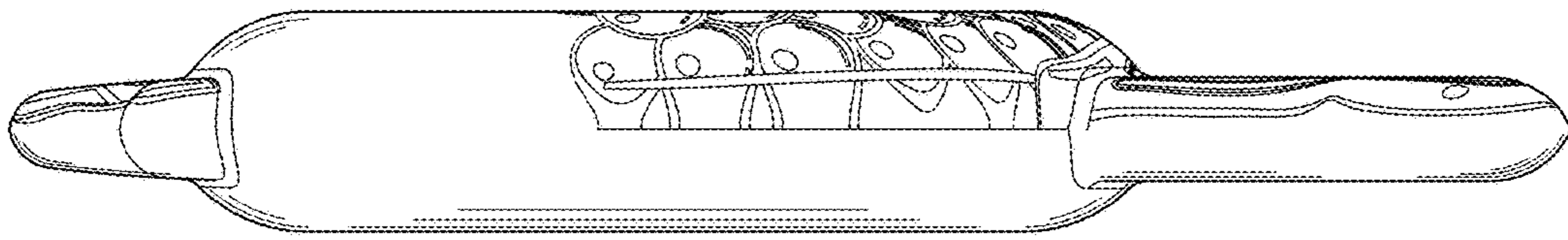


FIG. 11

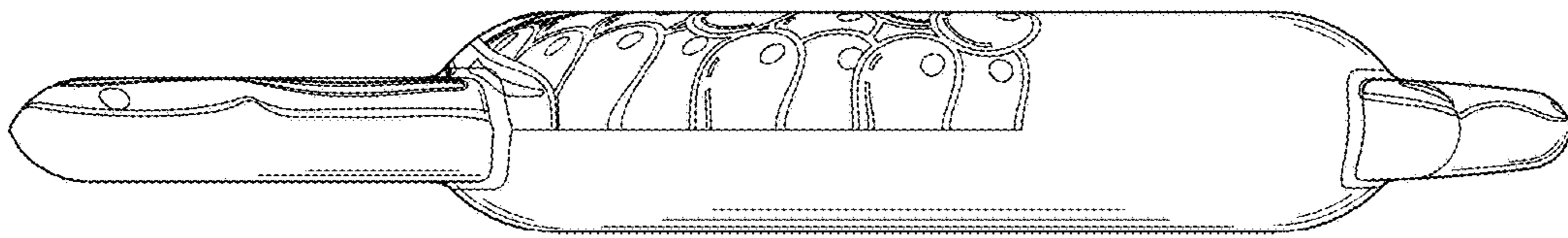


FIG. 12

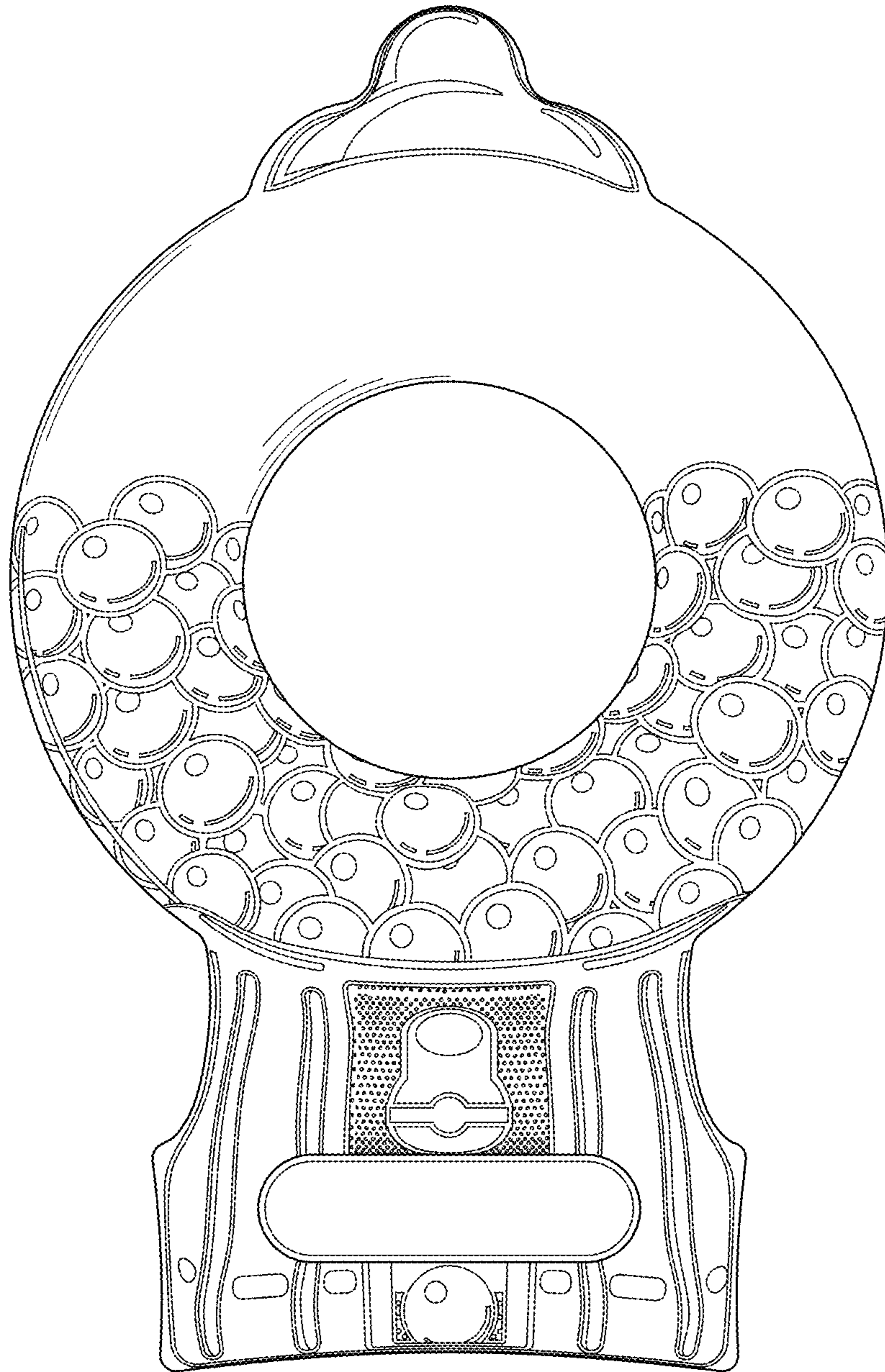


FIG. 13

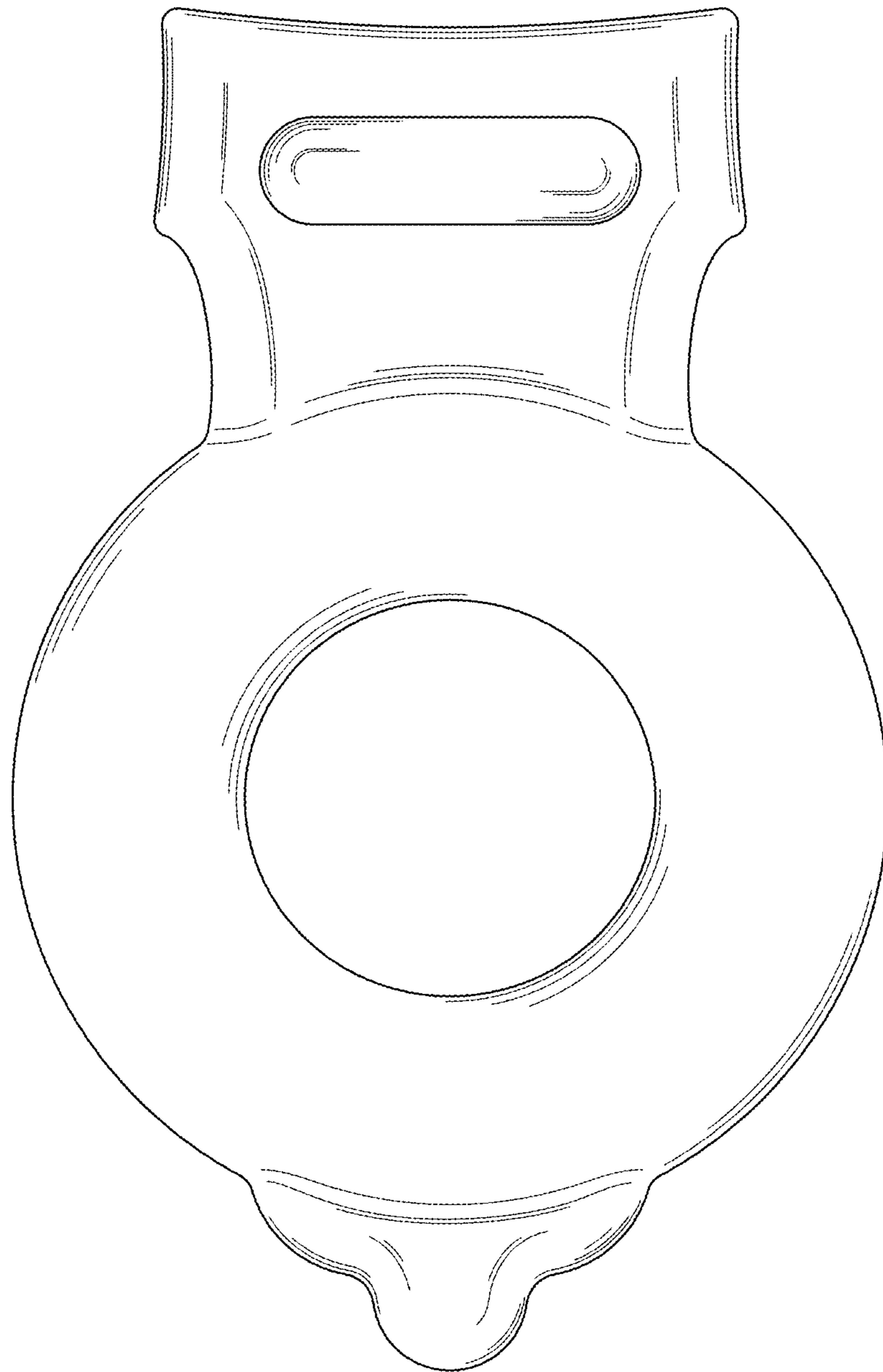


FIG. 14