

US00D802067S

(12) **United States Design Patent** (10) **Patent No.:** **US D802,067 S**  
**Solheim et al.** (45) **Date of Patent:** **\*\* Nov. 7, 2017**

(54) **GOLF CLUB HEAD**

(71) Applicant: **KARSTEN MANUFACTURING CORPORATION**, Phoenix, AZ (US)

(72) Inventors: **John A. Solheim**, Phoenix, AZ (US);  
**John P. Fife**, Phoenix, AZ (US)

(73) Assignee: **Karsten Manufacturing Corporation**, Phoenix, AZ (US)

(\*\*) Term: **15 Years**

(21) Appl. No.: **29/567,674**

(22) Filed: **Jun. 10, 2016**

(51) **LOC (10) Cl.** ..... **21-02**

(52) **U.S. Cl.**  
USPC ..... **D21/736**

(58) **Field of Classification Search**  
USPC ..... D21/736-746  
CPC ..... A63B 53/00; A63B 53/04; A63B 53/007;  
A63B 53/065; A63B 53/0487; A63B  
60/00; A63B 60/46  
See application file for complete search history.

(56) **References Cited**

**U.S. PATENT DOCUMENTS**

D207,227	S *	3/1967	Solheim	.....	D21/739
4,508,350	A	4/1985	Duclos		
4,915,385	A	4/1990	Anderson		
5,100,146	A	3/1992	Antonious		
5,246,227	A	9/1993	Sun		
D388,485	S *	12/1997	Morgan	.....	D21/746
D389,207	S *	1/1998	Cameron	.....	D21/742
D426,599	S *	6/2000	Morgan	.....	D21/736
D438,272	S *	2/2001	Moore	.....	D21/736
D441,820	S *	5/2001	Nicolette	.....	D21/738
D443,906	S *	6/2001	Hettinger	.....	D21/743
D449,085	S *	10/2001	Breier	.....	D21/744
D449,664	S *	10/2001	Beebe	.....	D21/759
6,375,583	B1	4/2002	Solheim		

6,485,375	B1	11/2002	McKinley		
D485,320	S *	1/2004	Breier	.....	D21/736
D498,276	S *	11/2004	Schweigert	.....	D21/743
6,902,496	B2	6/2005	Solheim		
D521,580	S *	5/2006	Burrows	.....	D21/736
7,083,526	B2	8/2006	Durnin		
7,101,288	B2	9/2006	Thomas		
7,112,147	B2 *	9/2006	Solheim	.....	A63B 53/0487 473/340
D535,712	S *	1/2007	Toroussian	.....	D21/749
D548,294	S *	8/2007	Nguyen	.....	D21/736
D552,196	S *	10/2007	Hueber	.....	D21/742
D562,921	S *	2/2008	Nguyen	.....	D21/742

(Continued)

**OTHER PUBLICATIONS**

<http://www.golfputter.ca/ping-ping-b60-i2-putter-golf-club.html>,  
Ping B60 i2 Putter Golf Club, Jun. 13, 2016.

(Continued)

*Primary Examiner* — Mitchell Siegel

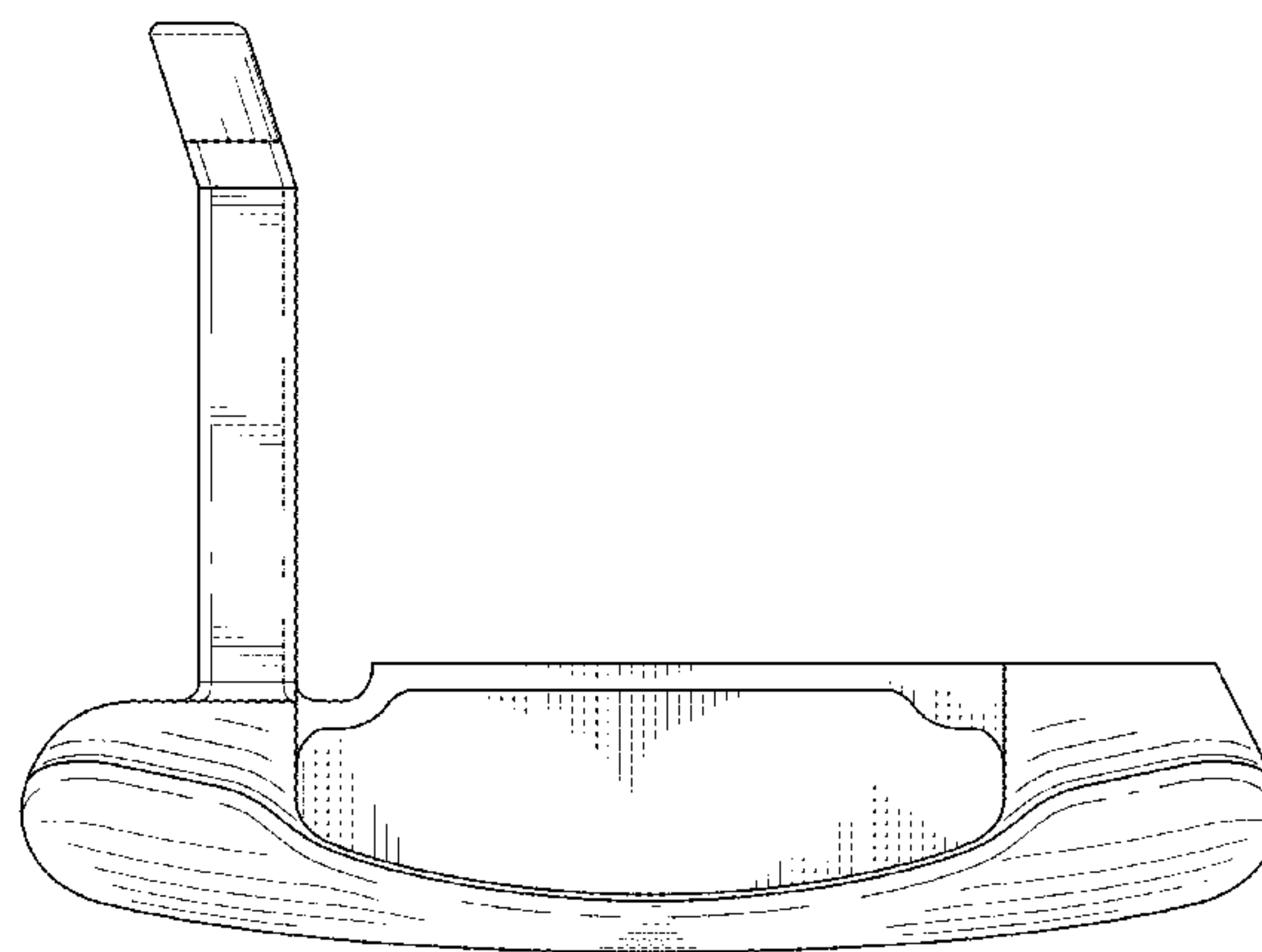
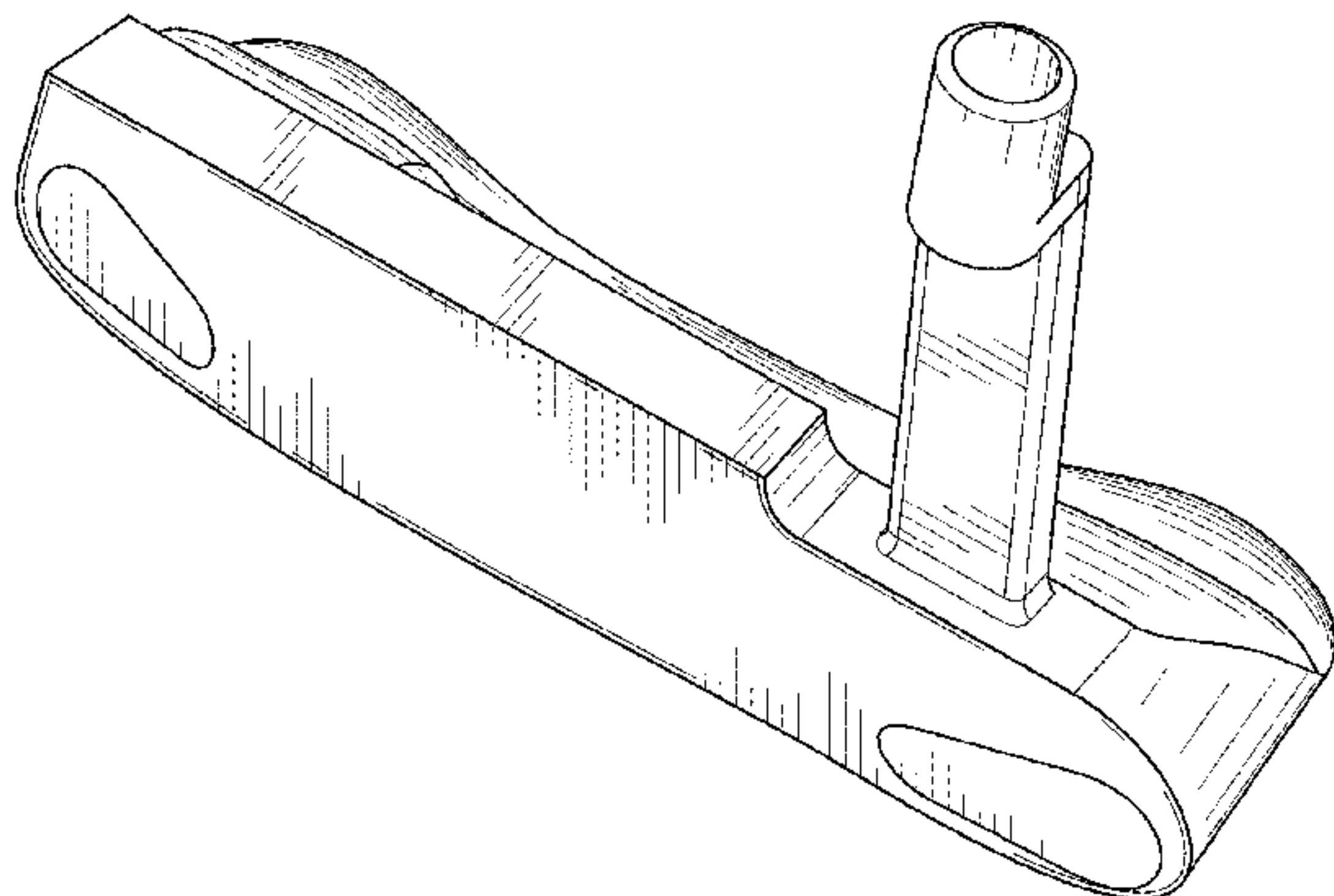
(57) **CLAIM**

The ornamental design for a golf club head, as shown and described.

**DESCRIPTION**

FIG. 1 is a top front perspective view of a golf club head; FIG. 2 is a bottom front perspective view of the golf club head of FIG. 1; FIG. 3 is a front view of the golf club head of FIG. 1; FIG. 4 is a rear view of the golf club head of FIG. 1; FIG. 5 is a heel view of the golf club head of FIG. 1; FIG. 6 is a toe view of the golf club head of FIG. 1; FIG. 7 is a top view of the golf club head of FIG. 1; and, FIG. 8 is a bottom view of the golf club head of FIG. 1. The broken lines shown in one or more of the figures are for illustrative purposes only and form no part of the claimed design.

**1 Claim, 6 Drawing Sheets**



(56)

**References Cited**

U.S. PATENT DOCUMENTS

7,326,128	B2	2/2008	Cole	
D574,909	S *	8/2008	Jones	..... D21/743
7,452,283	B2 *	11/2008	Hettinger	..... A63B 53/0487 473/249
D590,462	S *	4/2009	Hettinger	..... D21/743
D599,423	S *	9/2009	Serrano	..... D21/736
7,887,432	B2	2/2011	Jones	
D638,892	S *	5/2011	Hettinger	..... D21/743
7,938,740	B2	5/2011	Breier	
D643,893	S *	8/2011	Rollinson	..... D21/742
D648,407	S *	11/2011	Teramoto	..... D21/743
D650,456	S *	12/2011	Tang	..... D21/743
D689,574	S *	9/2013	Rollinson	..... D21/743
D702,782	S *	4/2014	Wempe	..... D21/743
D733,817	S *	7/2015	Jorgensen	..... D21/736
D733,818	S *	7/2015	Jorgensen	..... D21/736
9,174,102	B2	11/2015	Stevenson	
D769,383	S *	10/2016	Abbott	..... D21/743
D774,151	S *	12/2016	Serrano	..... D21/743
2004/0171435	A1	9/2004	Gammon	
2007/0135232	A1 *	6/2007	Billings	..... A63B 53/0487 473/340

OTHER PUBLICATIONS

<http://www.pgatour.com/equipmentreport/2016/05/25/ping-anter-spotted-at-colonial.html>, May 25, 2016.  
<https://www.amazon.com/Wilson-Harmonized-Heel-Toe-Putter/dp/B00B1ZGZQQ>, Jun. 13, 2016.

\* cited by examiner

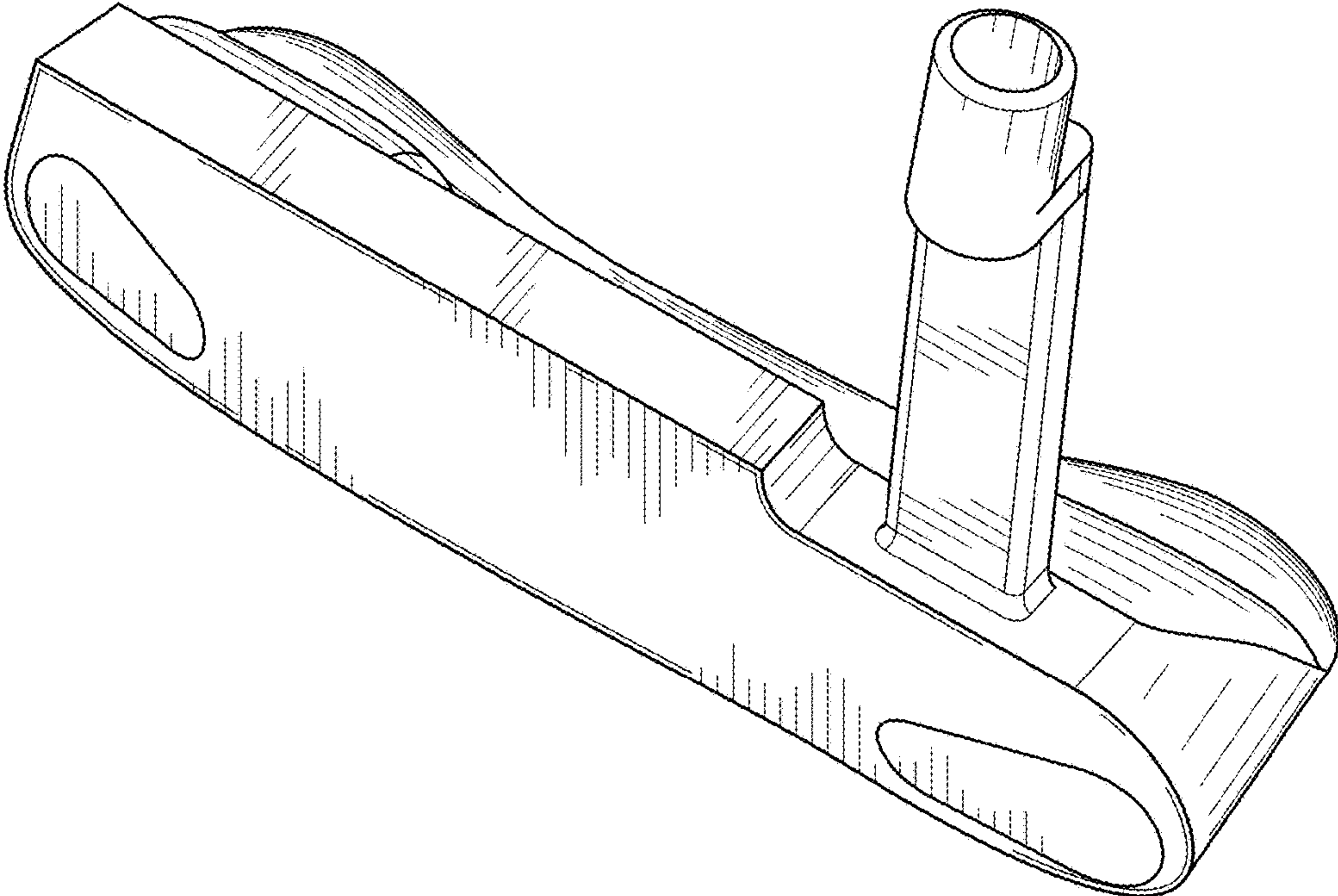


FIG. 1

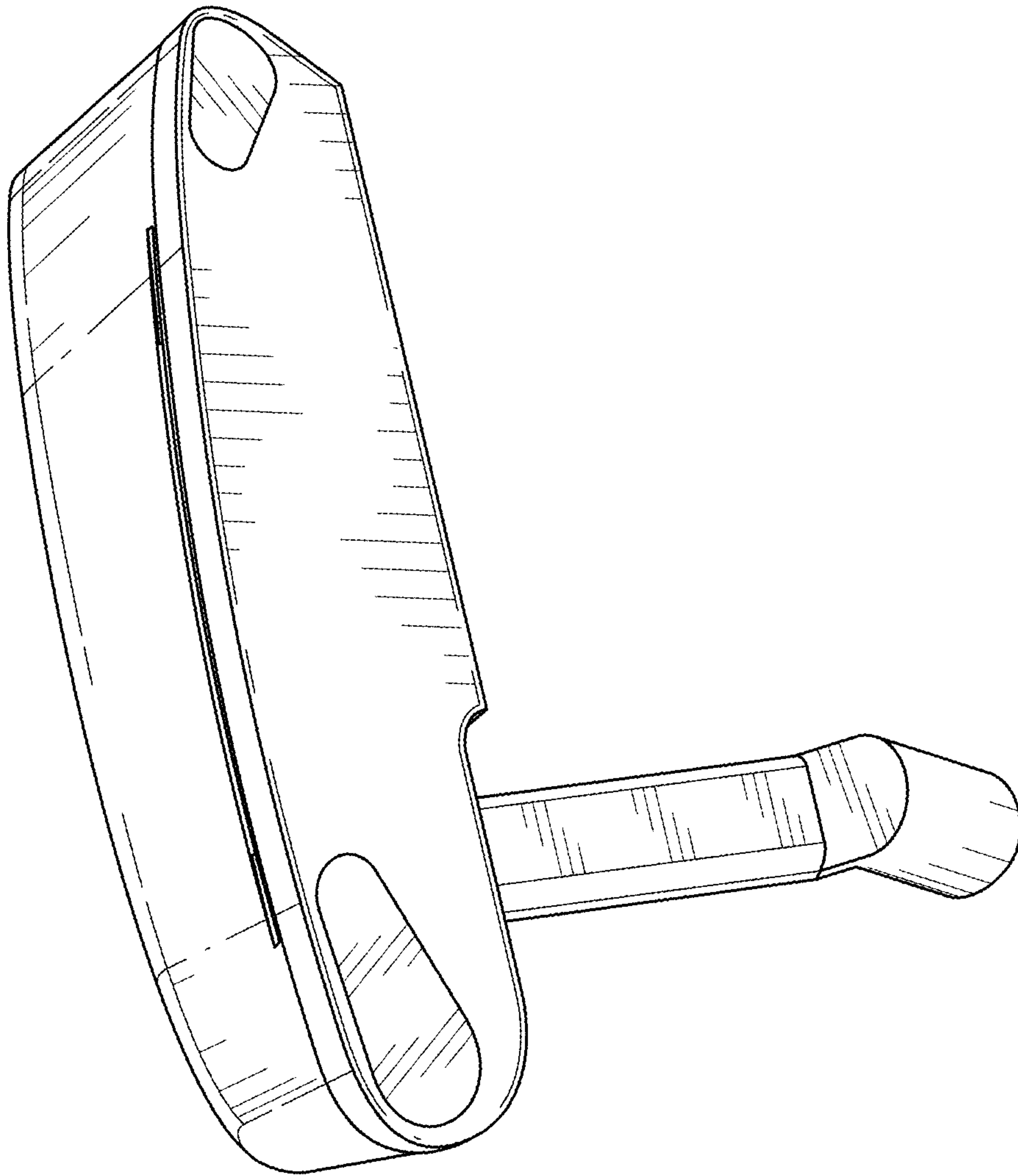


FIG. 2

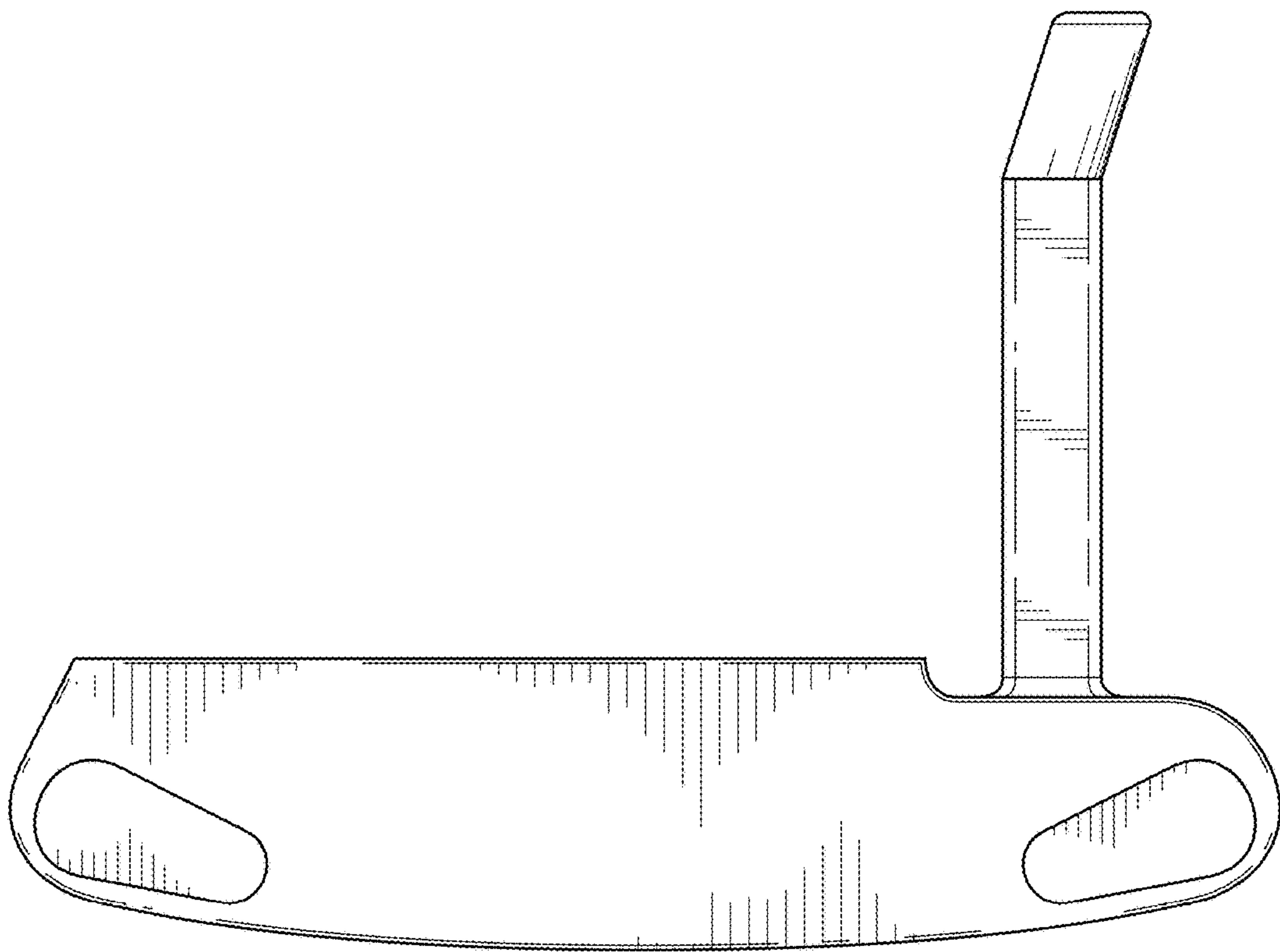


FIG. 3



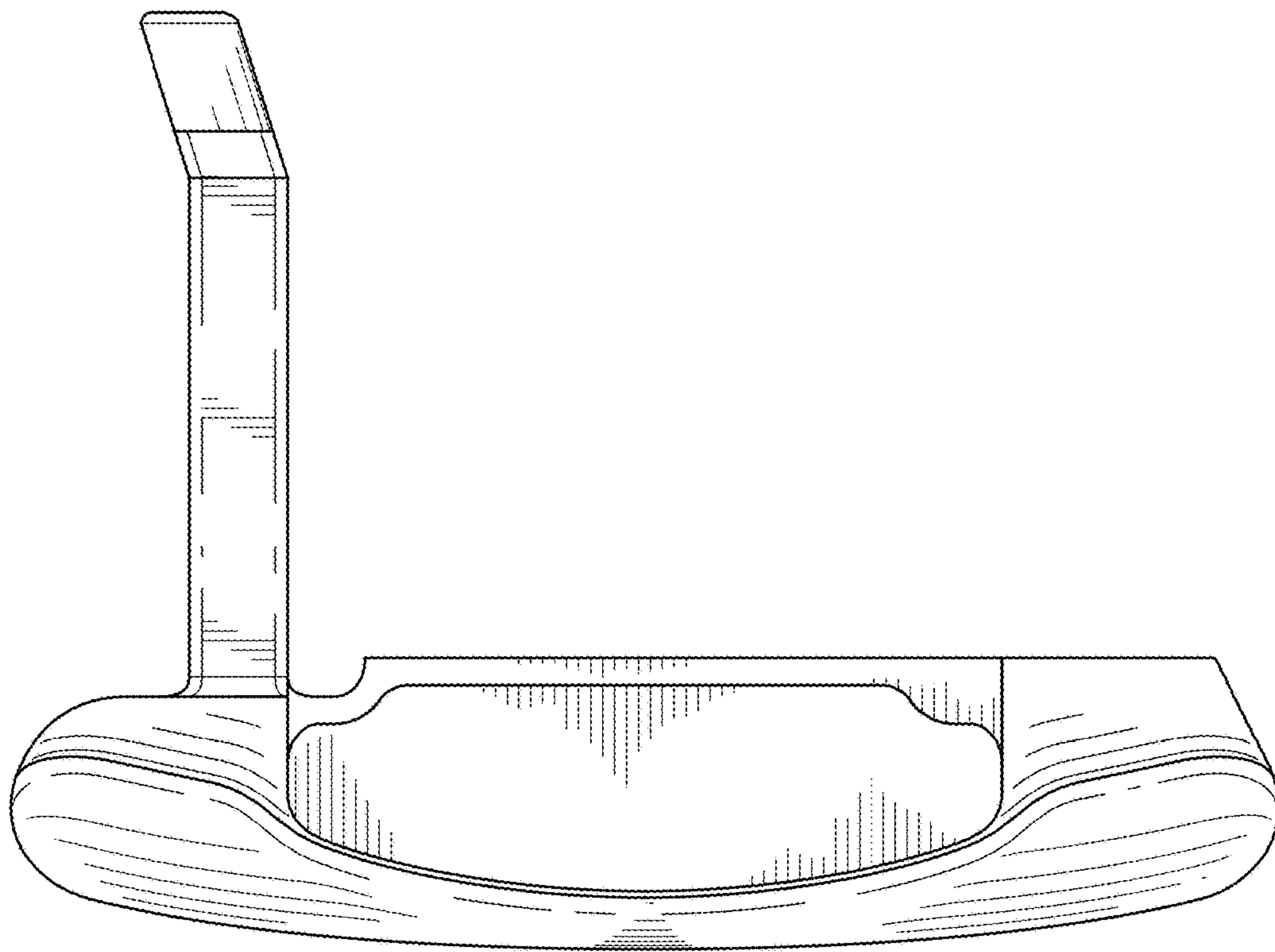


FIG. 4

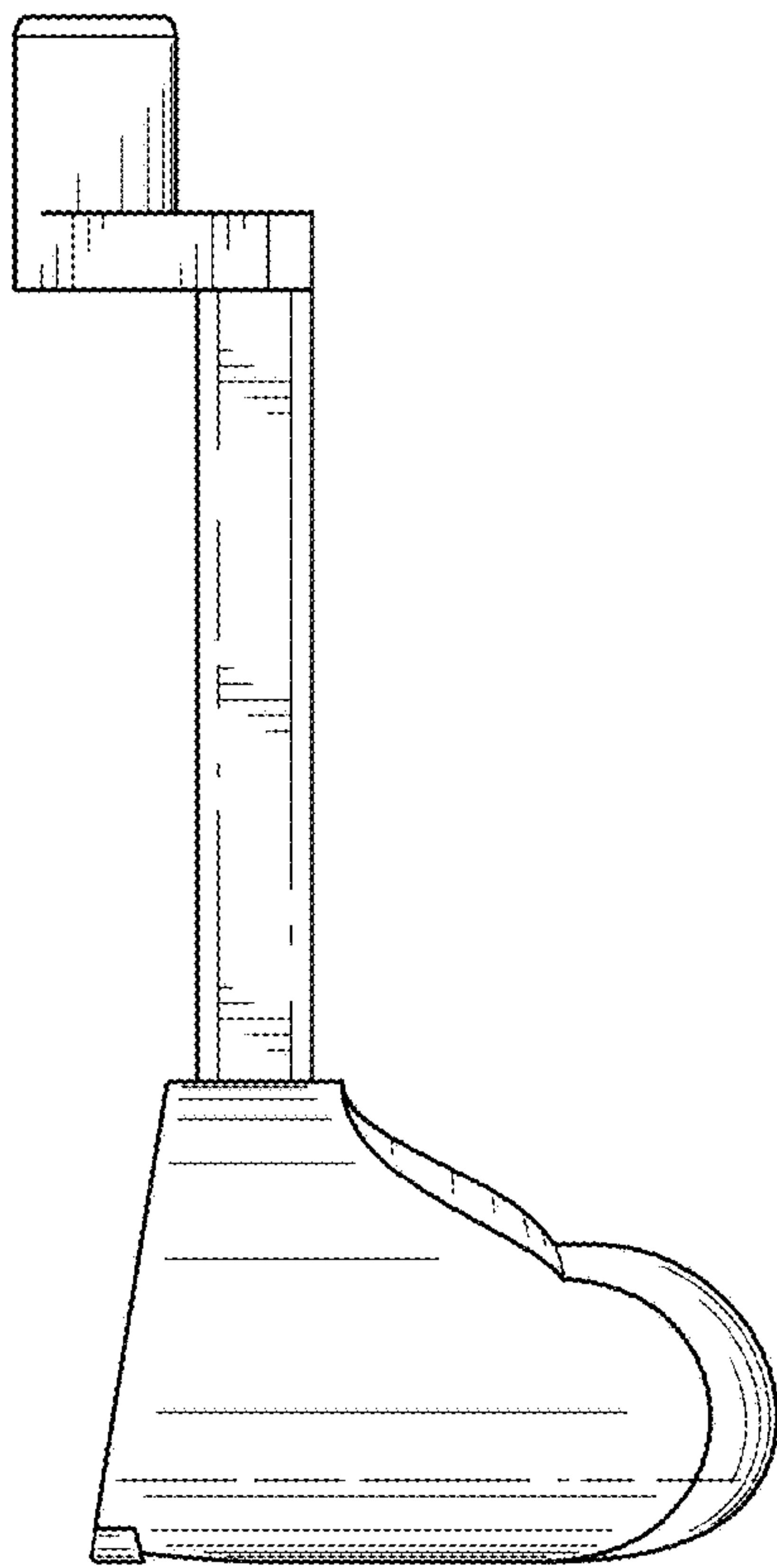


FIG. 5

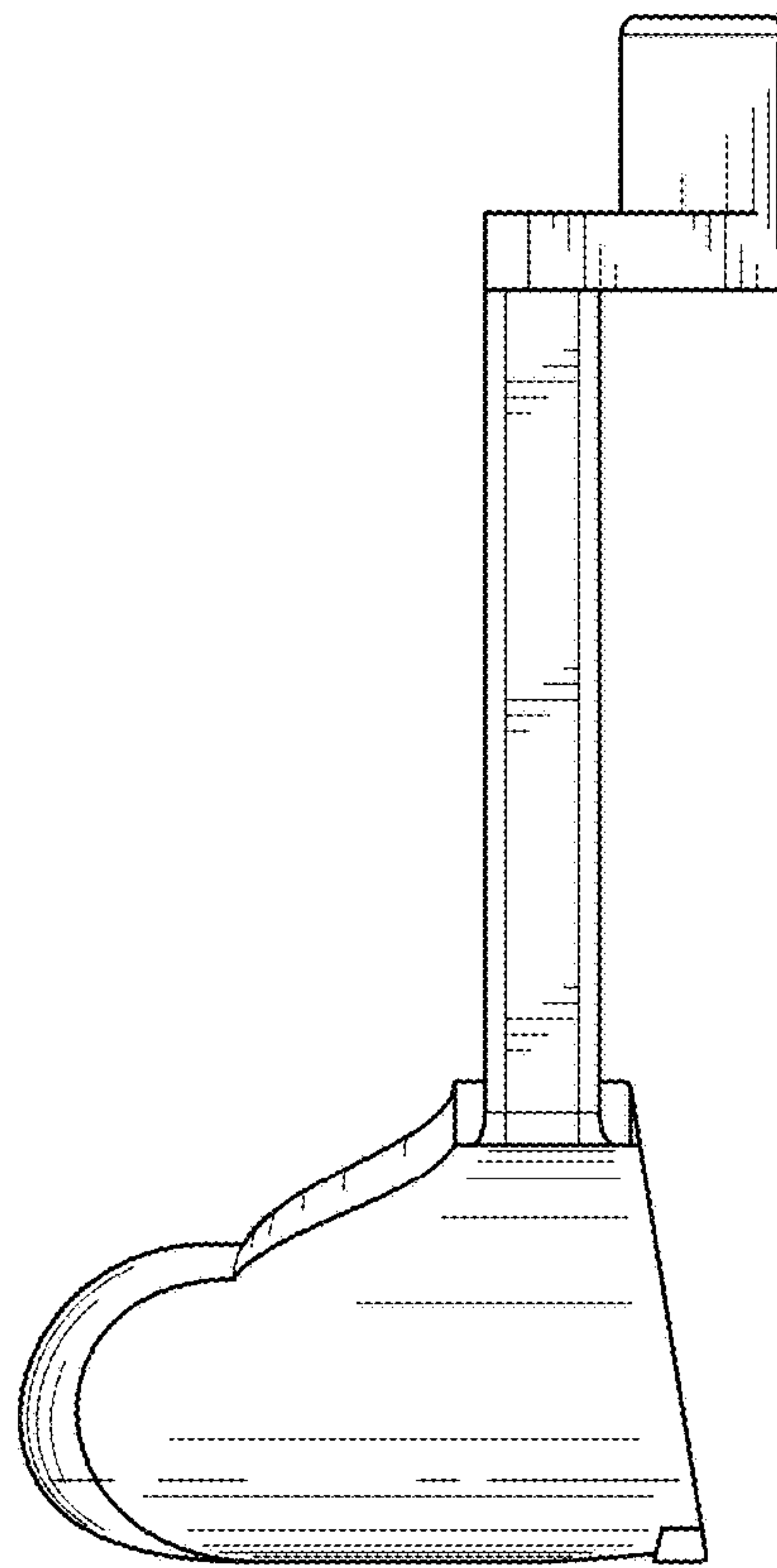


FIG. 6

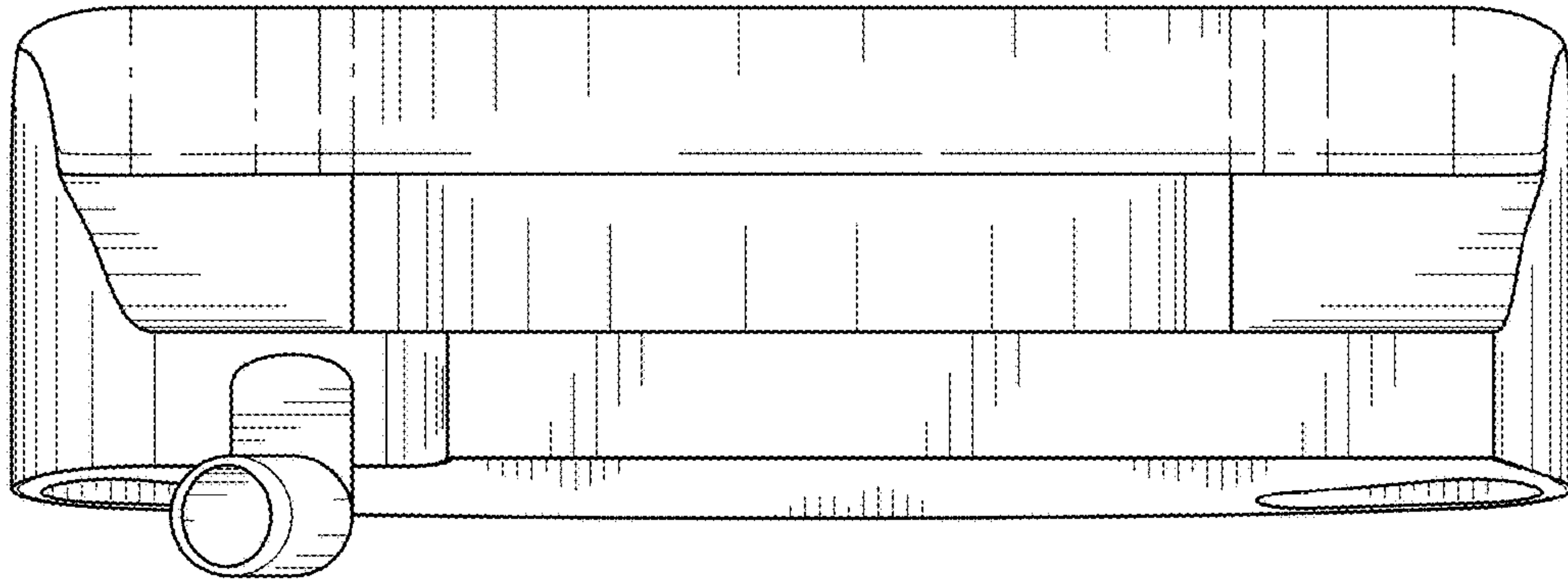


FIG. 7

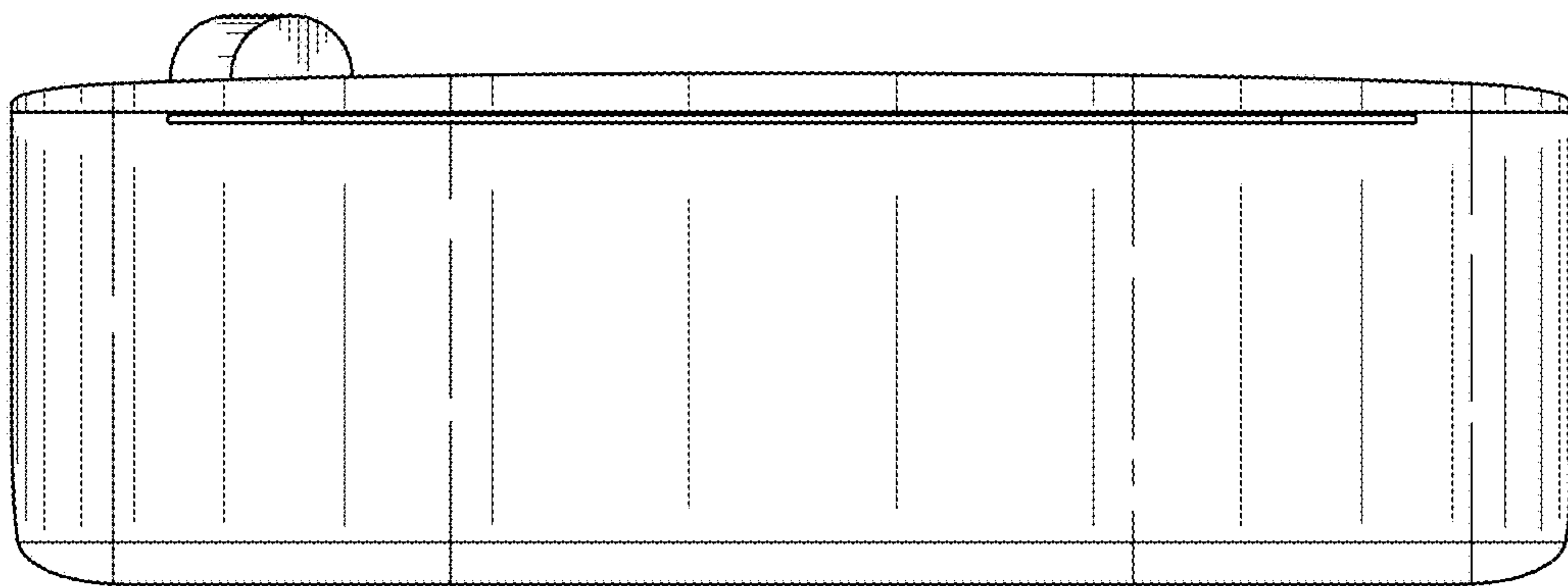


FIG. 8