



US00D802066S

(12) **United States Design Patent**
Terrebonne

(10) **Patent No.:** **US D802,066 S**

(45) **Date of Patent:** **** *Nov. 7, 2017**

(54) **GOLF CLUB**

(71) Applicant: **Ecton Terrebonne**, Marrero, LA (US)

(72) Inventor: **Ecton Terrebonne**, Marrero, LA (US)

(*) Notice: This patent is subject to a terminal disclaimer.

(**) Term: **15 Years**

(21) Appl. No.: **29/538,123**

(22) Filed: **Sep. 1, 2015**

(51) **LOC (10) Cl.** **21-02**

(52) **U.S. Cl.**
USPC **D21/736**

(58) **Field of Classification Search**
USPC D21/736-746; D8/75, 77, 78
CPC ... A63B 53/065; A63B 53/0487; A63B 53/00;
A63B 53/007; A63B 53/04; B25D 1/00;
B25D 1/02; B25D 1/14
See application file for complete search history.

(56) **References Cited**

U.S. PATENT DOCUMENTS

393,789	A *	12/1888	Runnals	B25D 1/02
					81/19
2,755,833	A *	7/1956	Quayle	B25D 1/02
					116/1
D187,658	S *	4/1960	Holdstein	D21/728
3,394,937	A *	7/1968	Allport	A63B 53/007
					273/129 R
3,881,733	A	5/1975	Csernits		
4,139,198	A	2/1979	Kanavas		
D276,452	S *	11/1984	Doman	D21/738
4,776,594	A	10/1988	Rango		
D303,559	S *	9/1989	Florian	D21/738
4,881,737	A *	11/1989	Mullins	A63B 53/065
					403/84
4,964,639	A	10/1990	Tucker		
5,433,441	A	7/1995	Olsen		

D368,292	S *	3/1996	Willoughby	D21/738
D391,329	S *	2/1998	English	D21/738
D399,546	S *	10/1998	Polzin	D21/738
D401,990	S *	12/1998	Berkebile	D21/738
D410,513	S *	6/1999	Gardner	D21/736
6,520,865	B1	2/2003	Fioretti		
6,582,322	B2	6/2003	Long		

(Continued)

Primary Examiner — Mitchell Siegel

(74) *Attorney, Agent, or Firm* — Andrew G. Vicknair

(57) **CLAIM**

The ornamental design for a golf club, as shown.

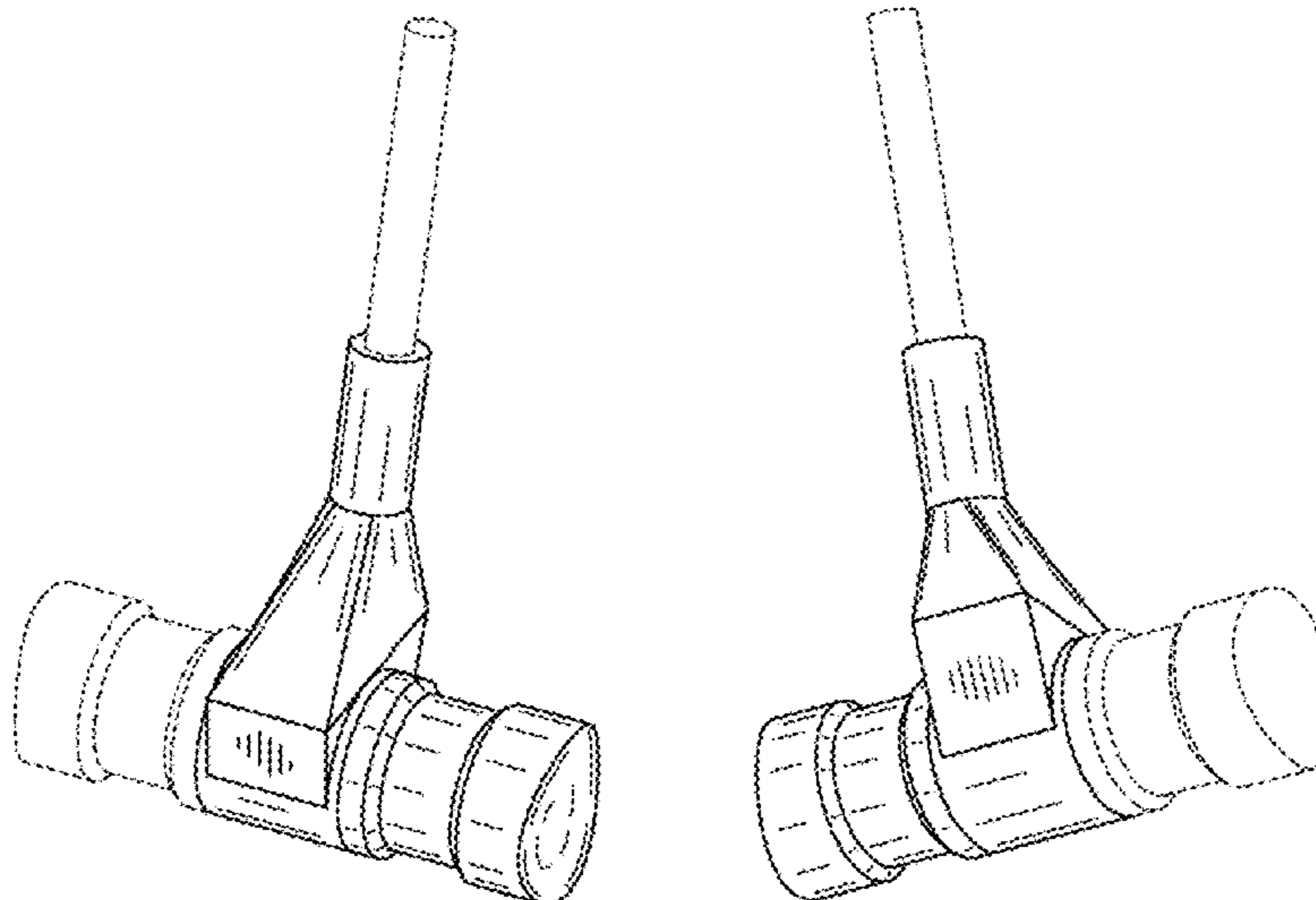
DESCRIPTION

FIG. 1 is a front perspective view of the golf club;
 FIG. 2 is a rear perspective view thereof;
 FIG. 3 is a top plan view thereof;
 FIG. 4 is a bottom plan view thereof
 FIG. 5 is a side view thereof;
 FIG. 6 is an opposite side view thereof;
 FIG. 7 is a front view thereof;
 FIG. 8 is a rear view thereof;
 FIG. 9 is a front perspective view of a second embodiment of the golf club of FIG. 1;
 FIG. 10 is a rear perspective view of FIG. 9;
 FIG. 11 is a top plan view of FIG. 9;
 FIG. 12 is a bottom plan view of FIG. 9;
 FIG. 13 is a side view of FIG. 9;
 FIG. 14 is an opposite side view of FIG. 9;
 FIG. 15 is a front view of FIG. 9; and,
 FIG. 16 is a rear view of FIG. 9.

It should be understood that the labels used herein for describing orientation (e.g. front, back, side, top, and bottom) are merely for reference, and the design may be disposed in any manner and still be within the scope of the present invention.

The broken line showing is for illustrative purposes only and forms no part of the claimed design.

1 Claim, 6 Drawing Sheets



(56)

References Cited

U.S. PATENT DOCUMENTS

D489,780	S	*	5/2004	Sloboda	D21/738
7,029,404	B2		4/2006	Lu	
D521,581	S	*	5/2006	Johnson	D21/736
7,396,292	B1		7/2008	Grossbard	
7,648,424	B2		1/2010	Hinojosa	
7,993,211	B2		8/2011	Bardha	
D682,958	S	*	5/2013	Gishi	D21/738
D715,878	S	*	10/2014	Gishi	D21/738
D740,900	S	*	10/2015	Molgaard	D21/738
2002/0137573	A1		9/2002	Rifkin	
2006/0040762	A1		2/2006	Chupka	
2009/0203466	A1		8/2009	Lee	

* cited by examiner

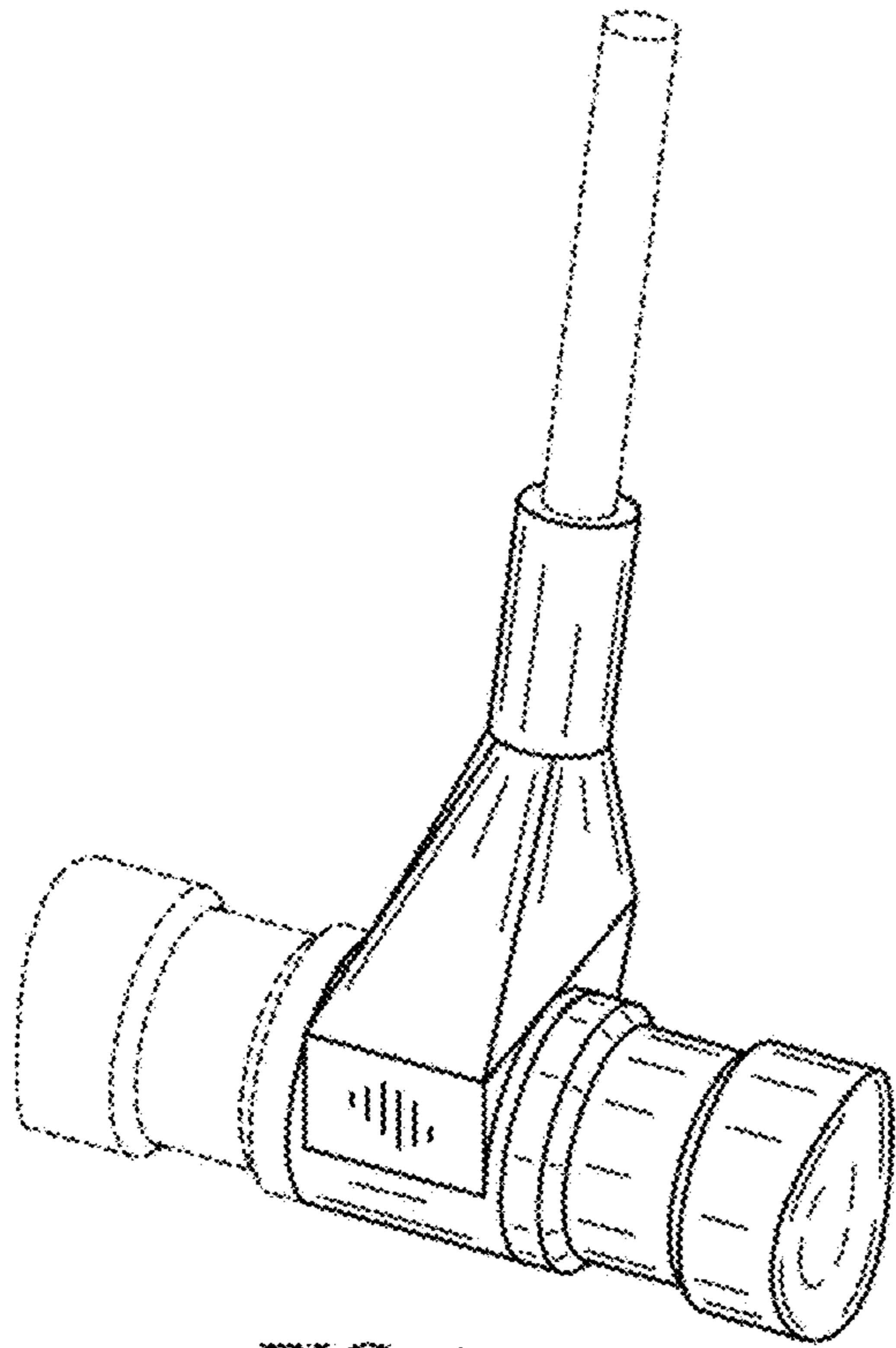


FIG. 1

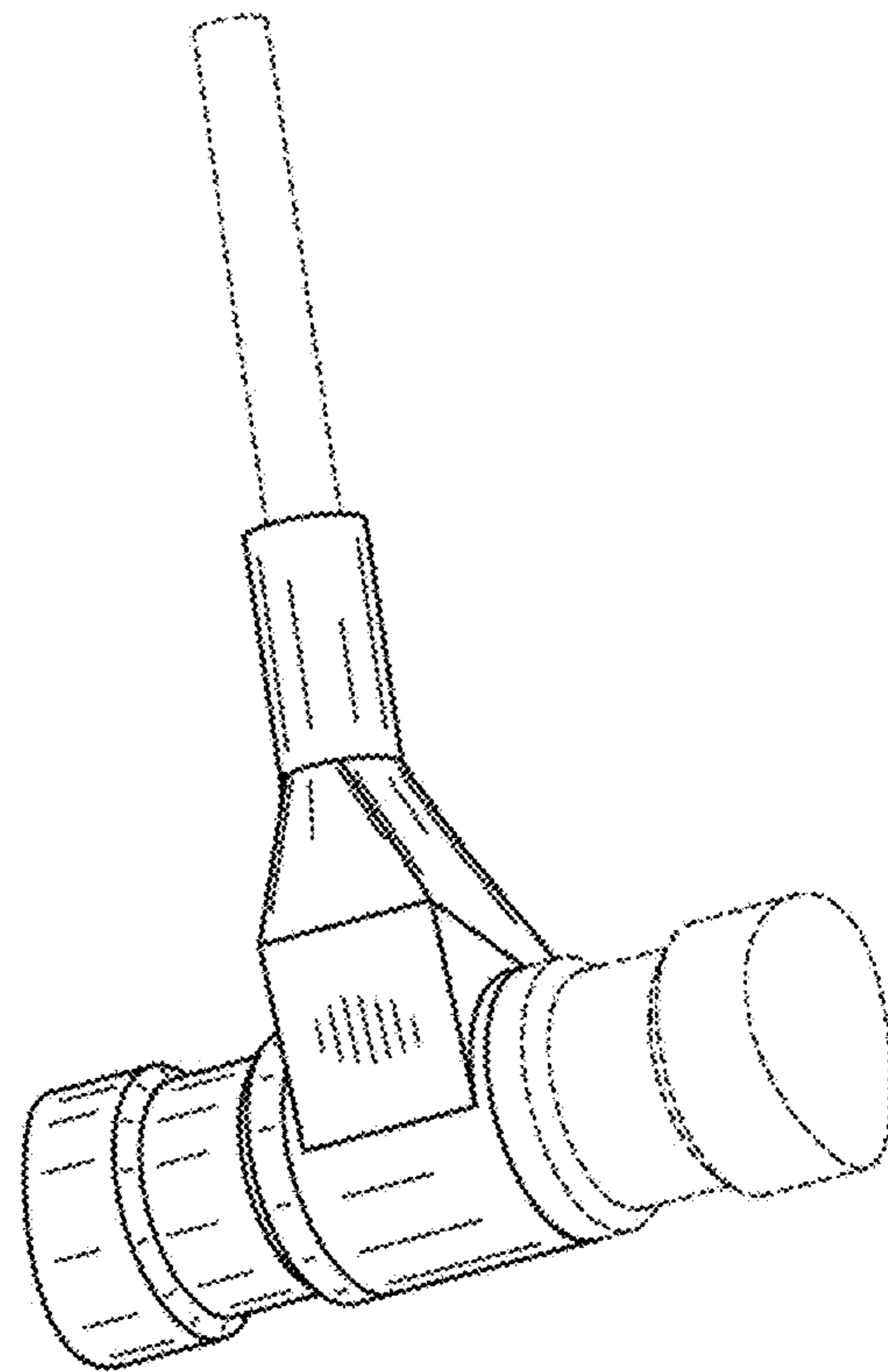


FIG. 2

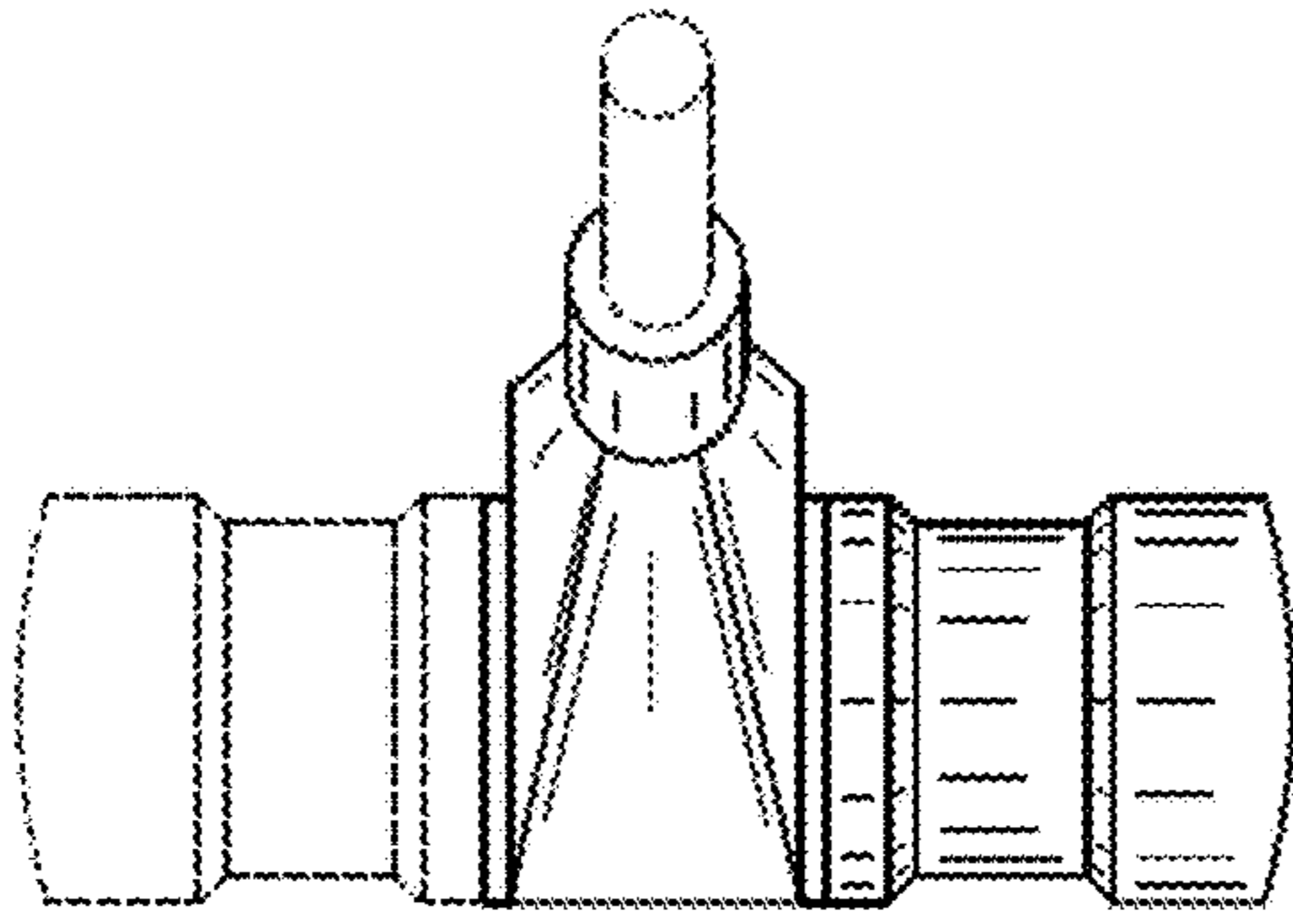


FIG. 3

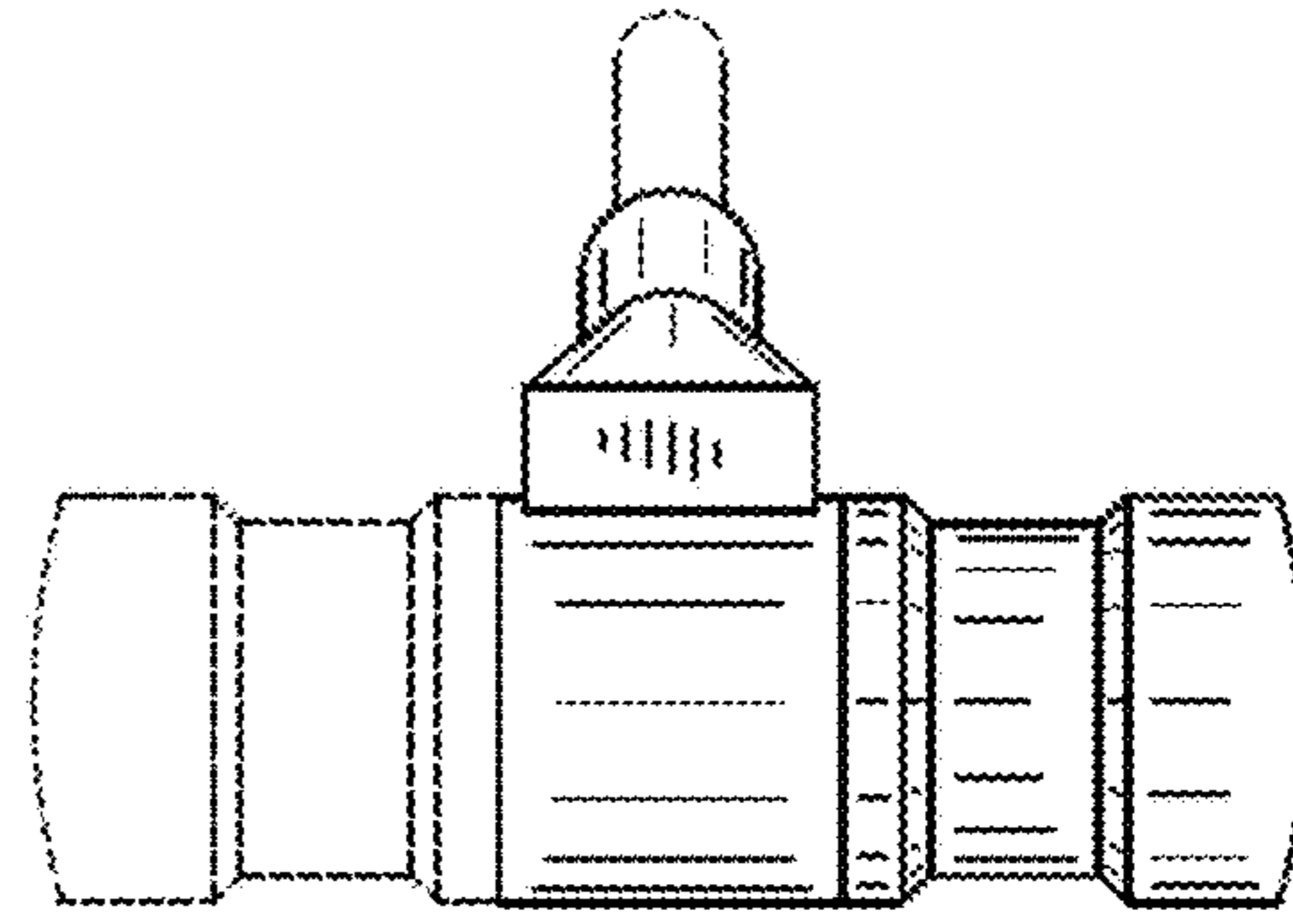


FIG. 4

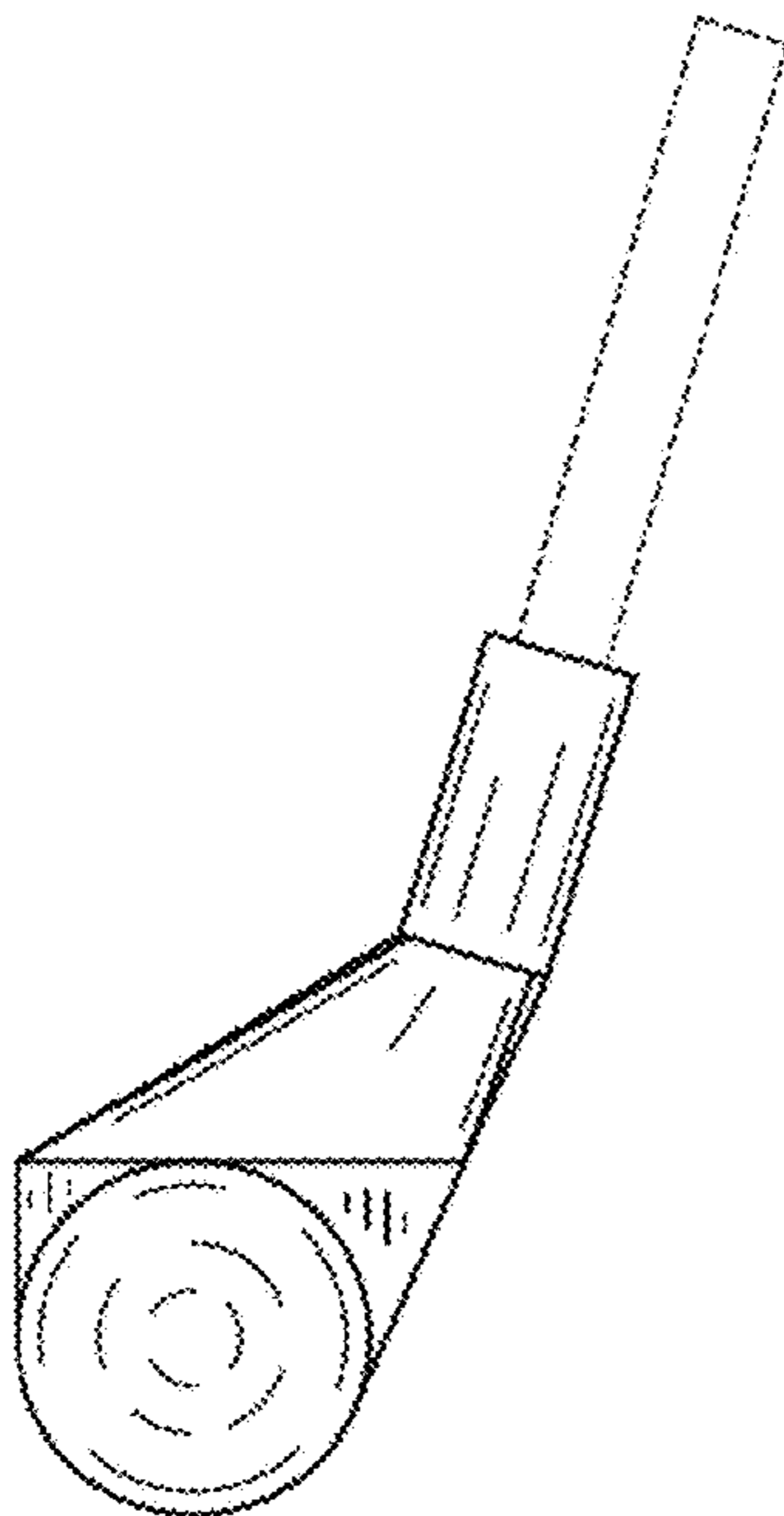


FIG. 5

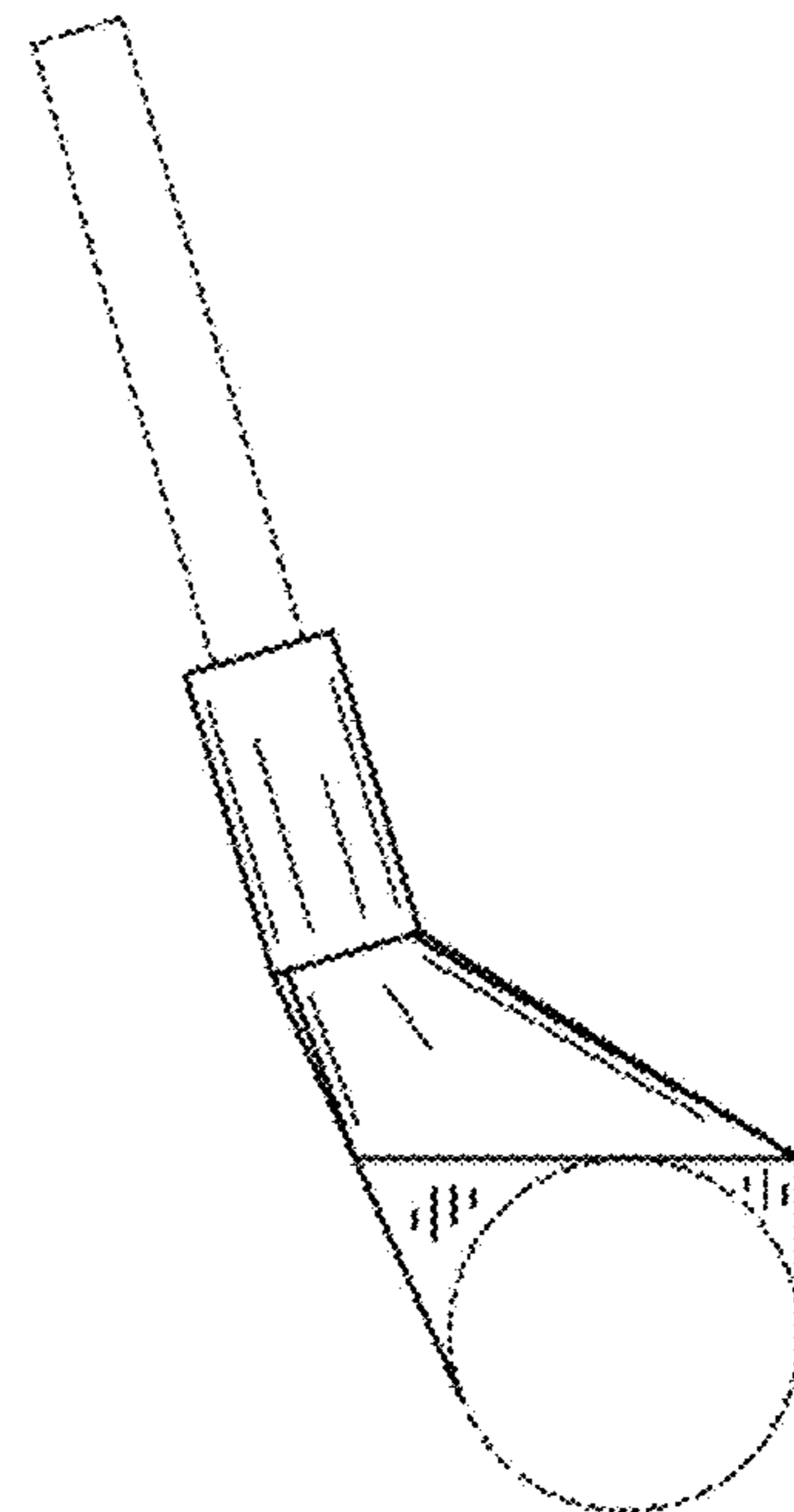


FIG. 6

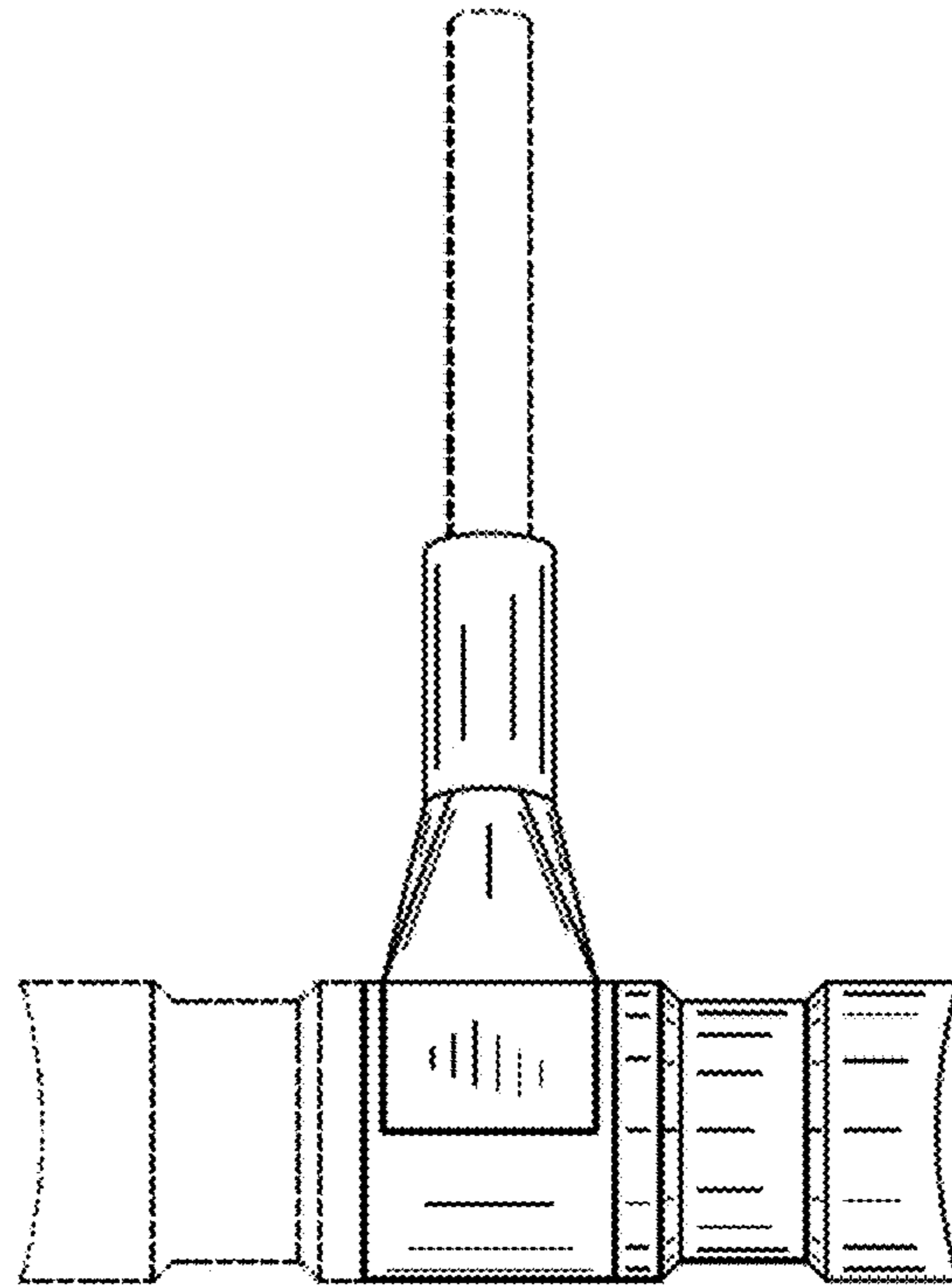


FIG. 7

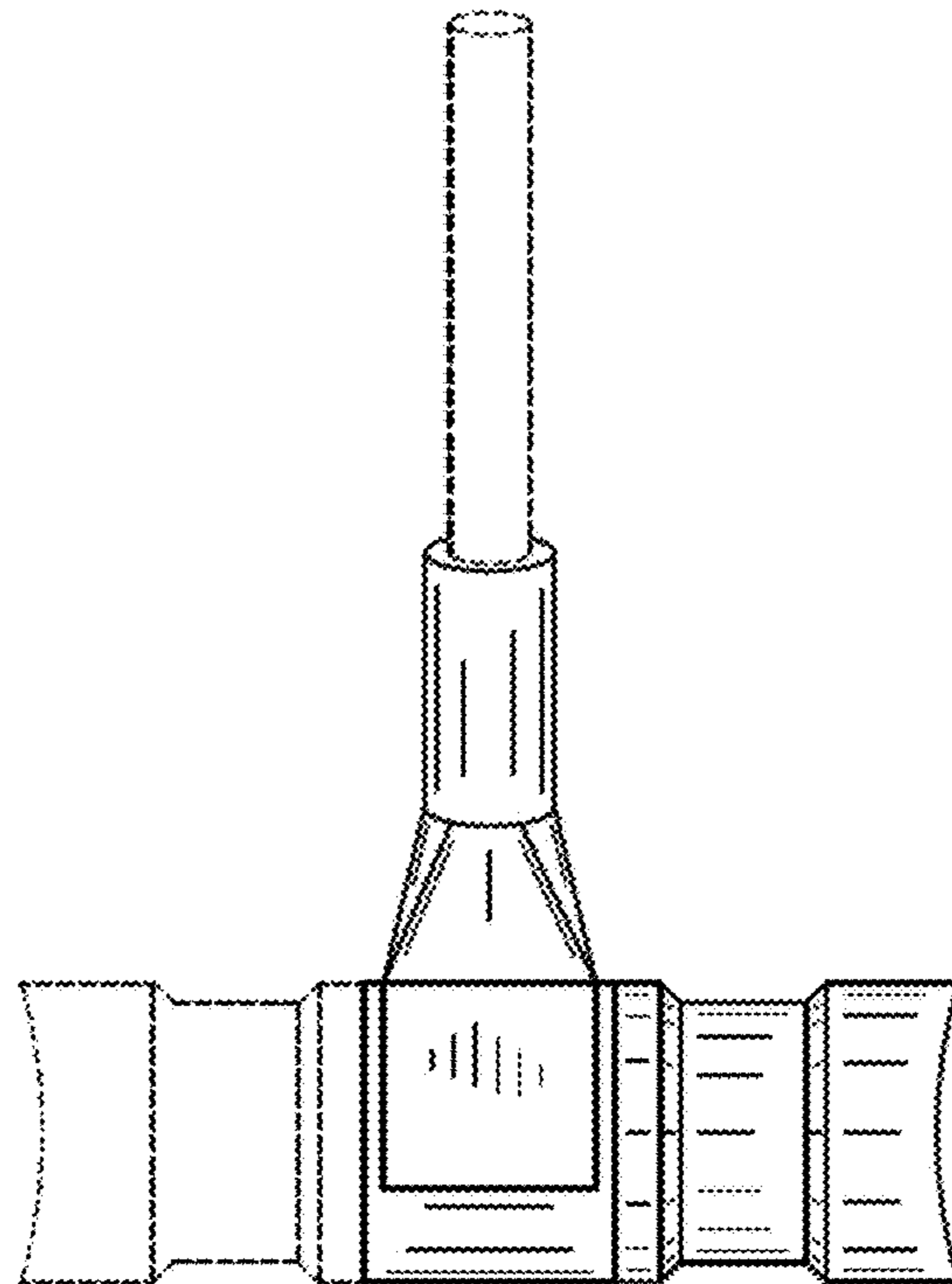


FIG. 8

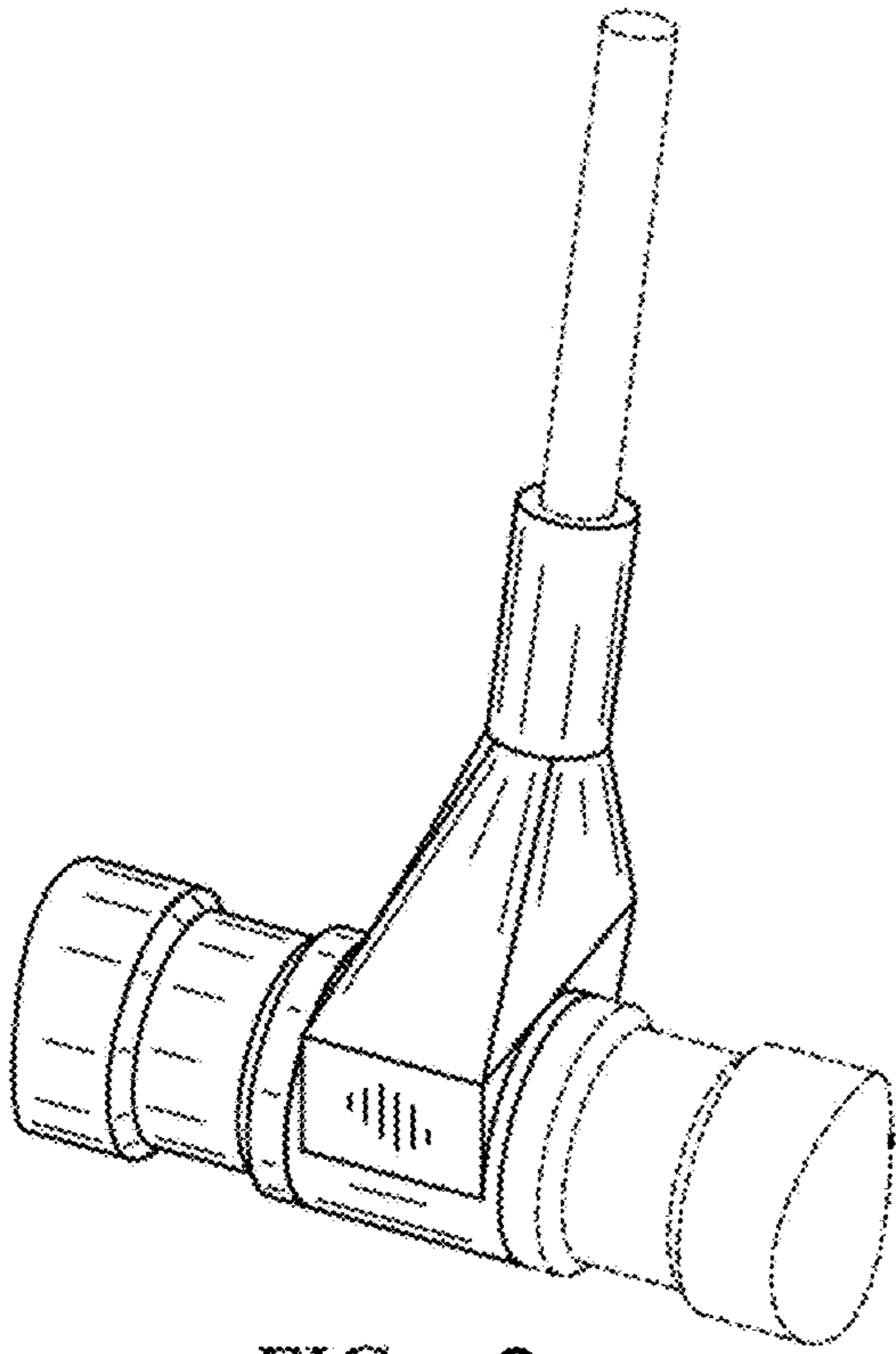


FIG. 9

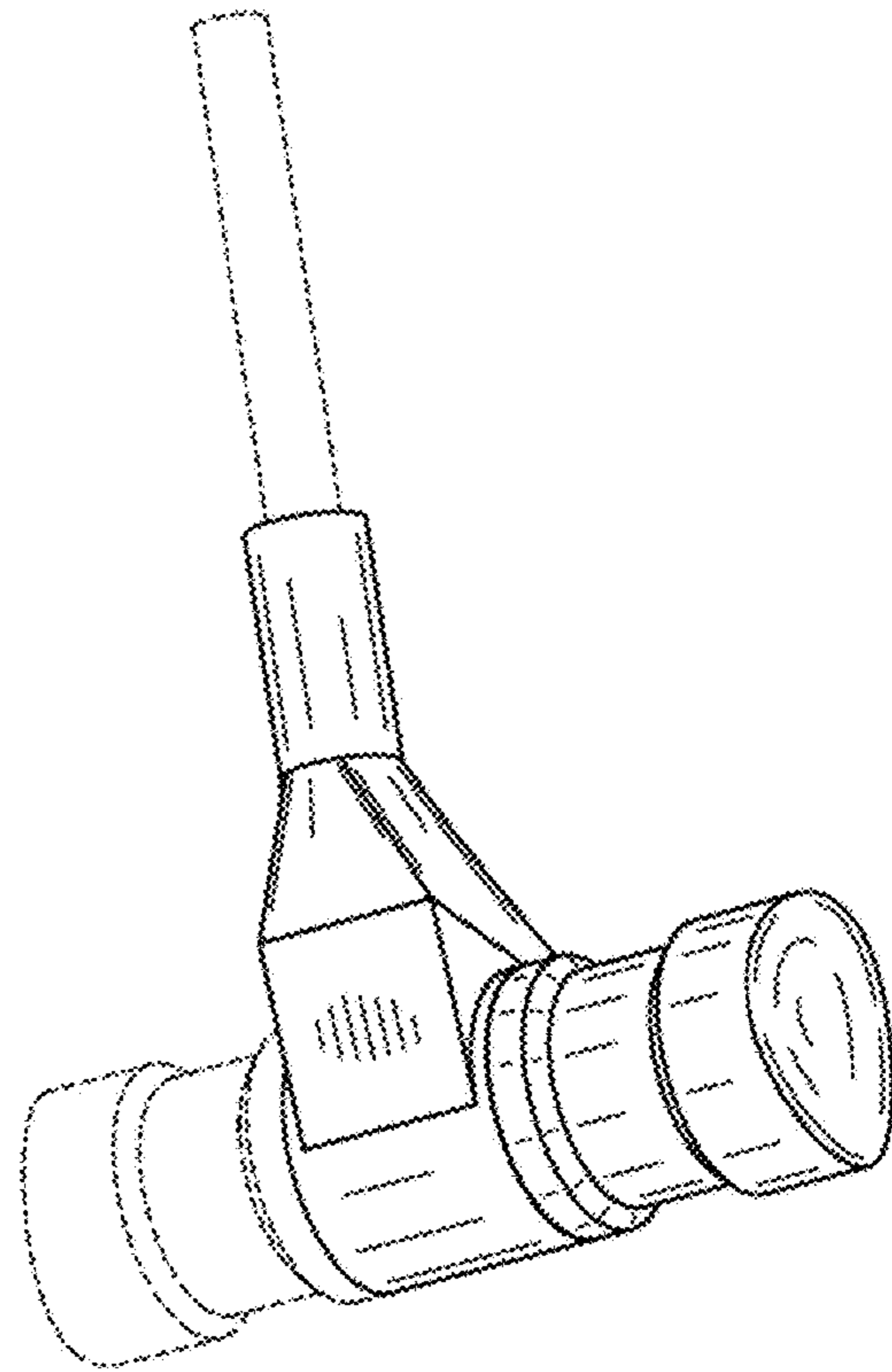


FIG. 10

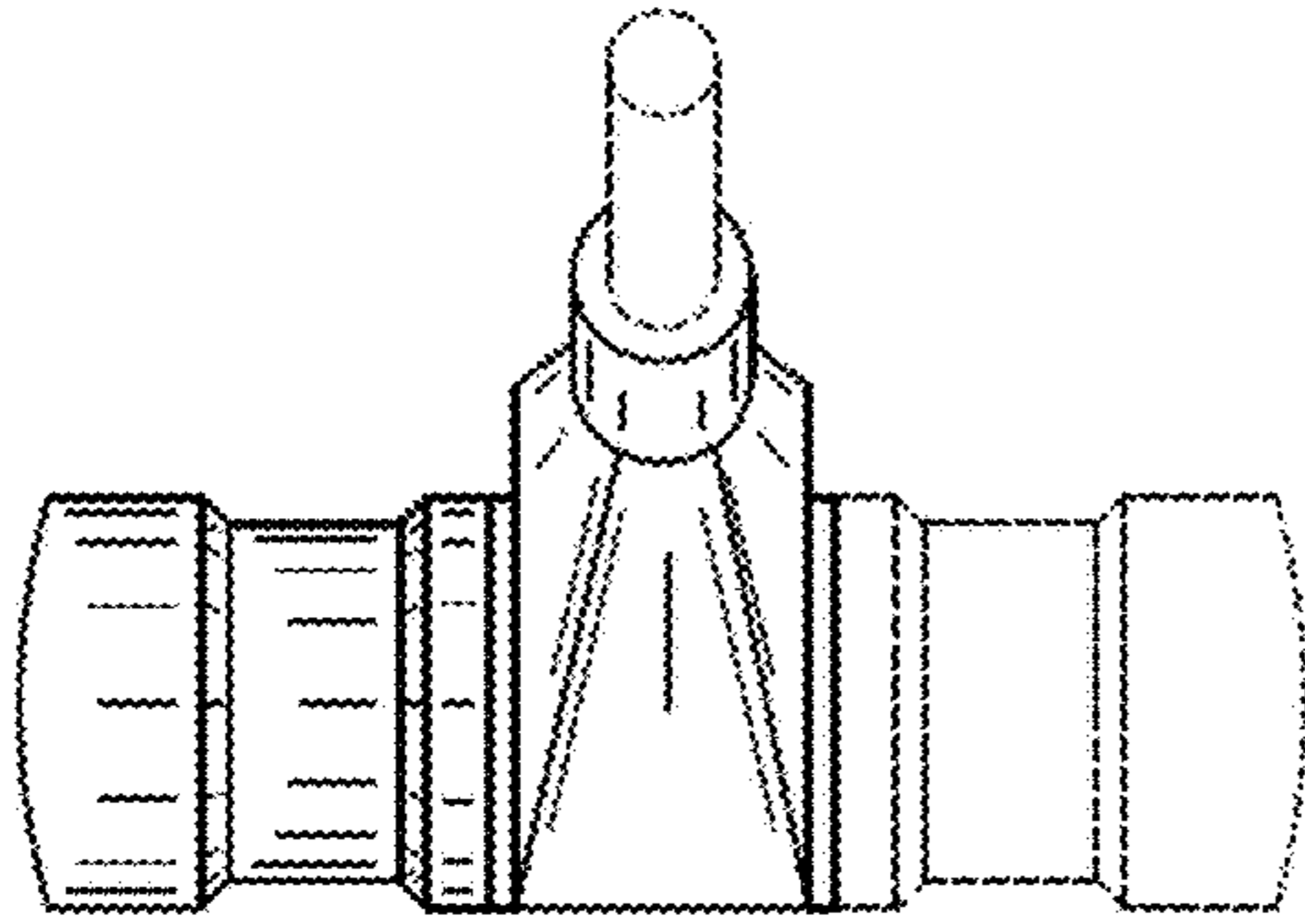


FIG. 11

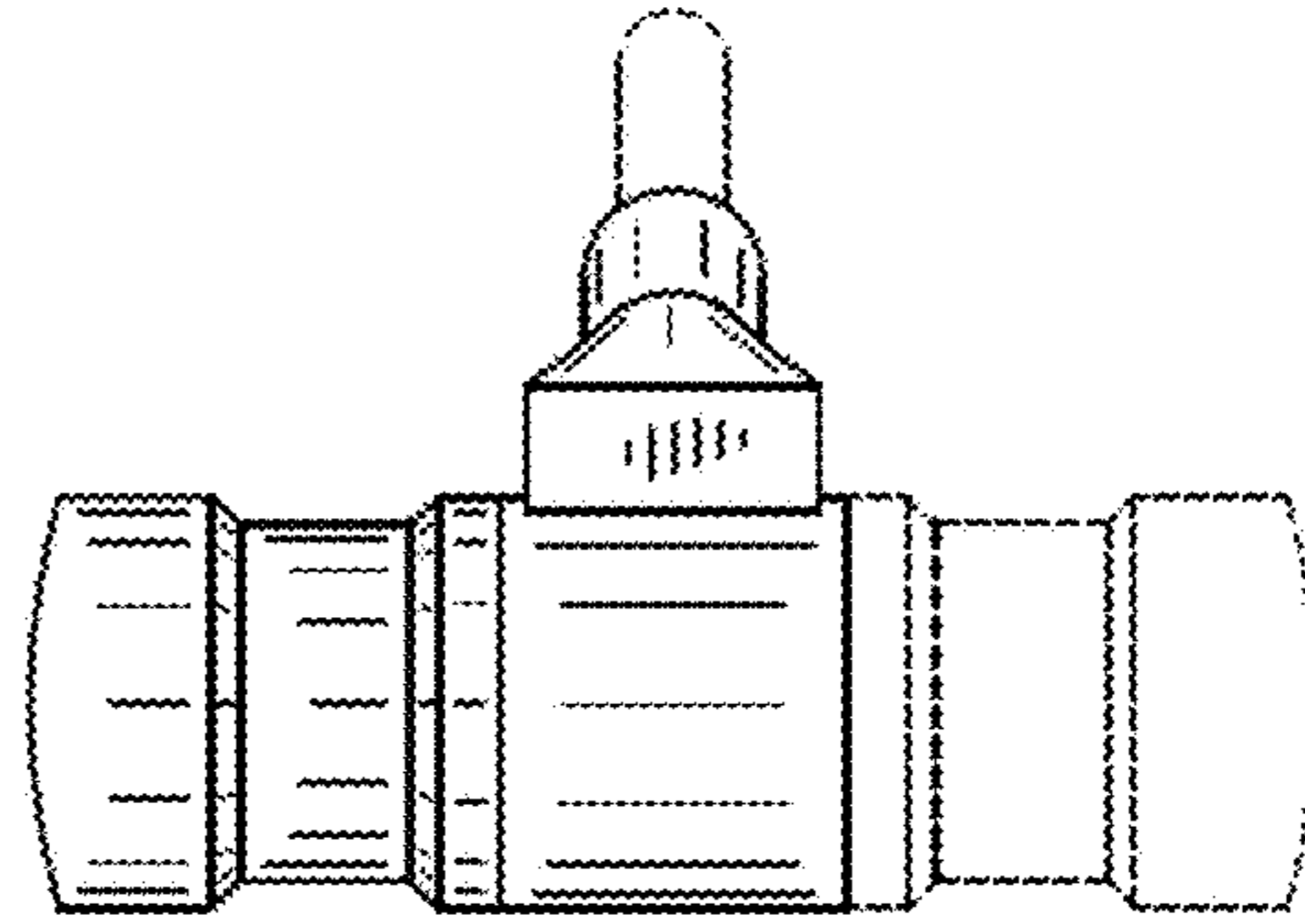


FIG. 12

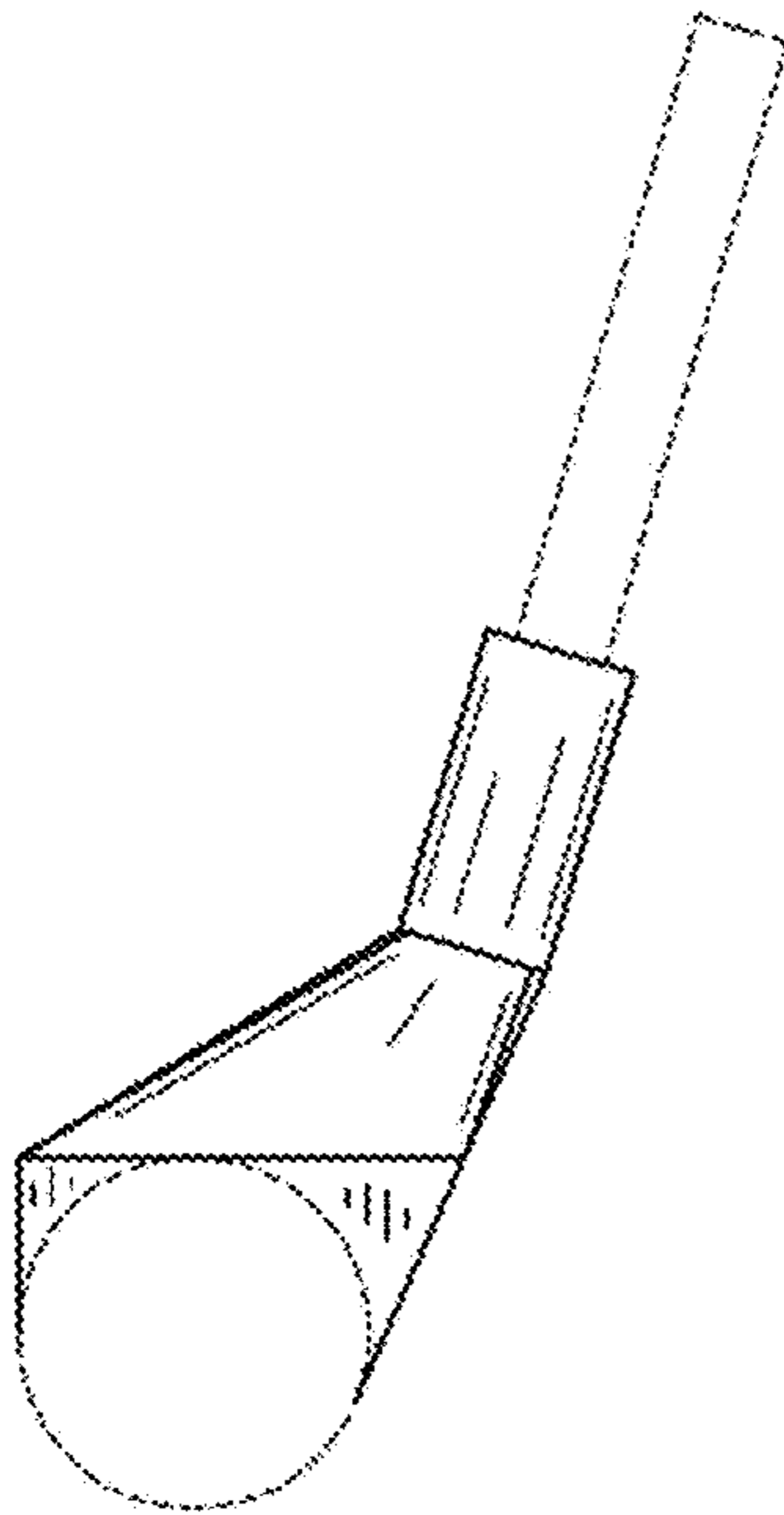


FIG. 13

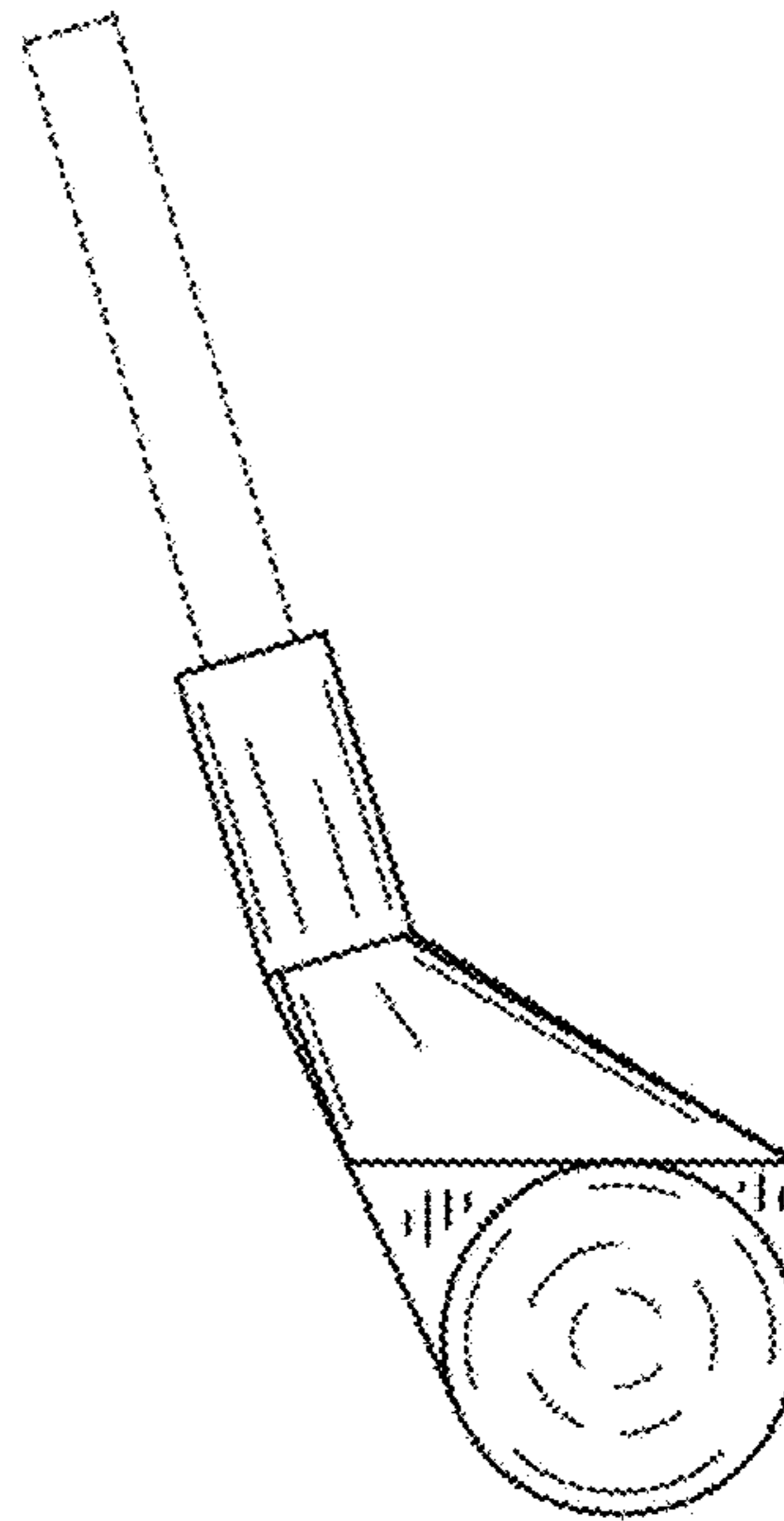


FIG. 14

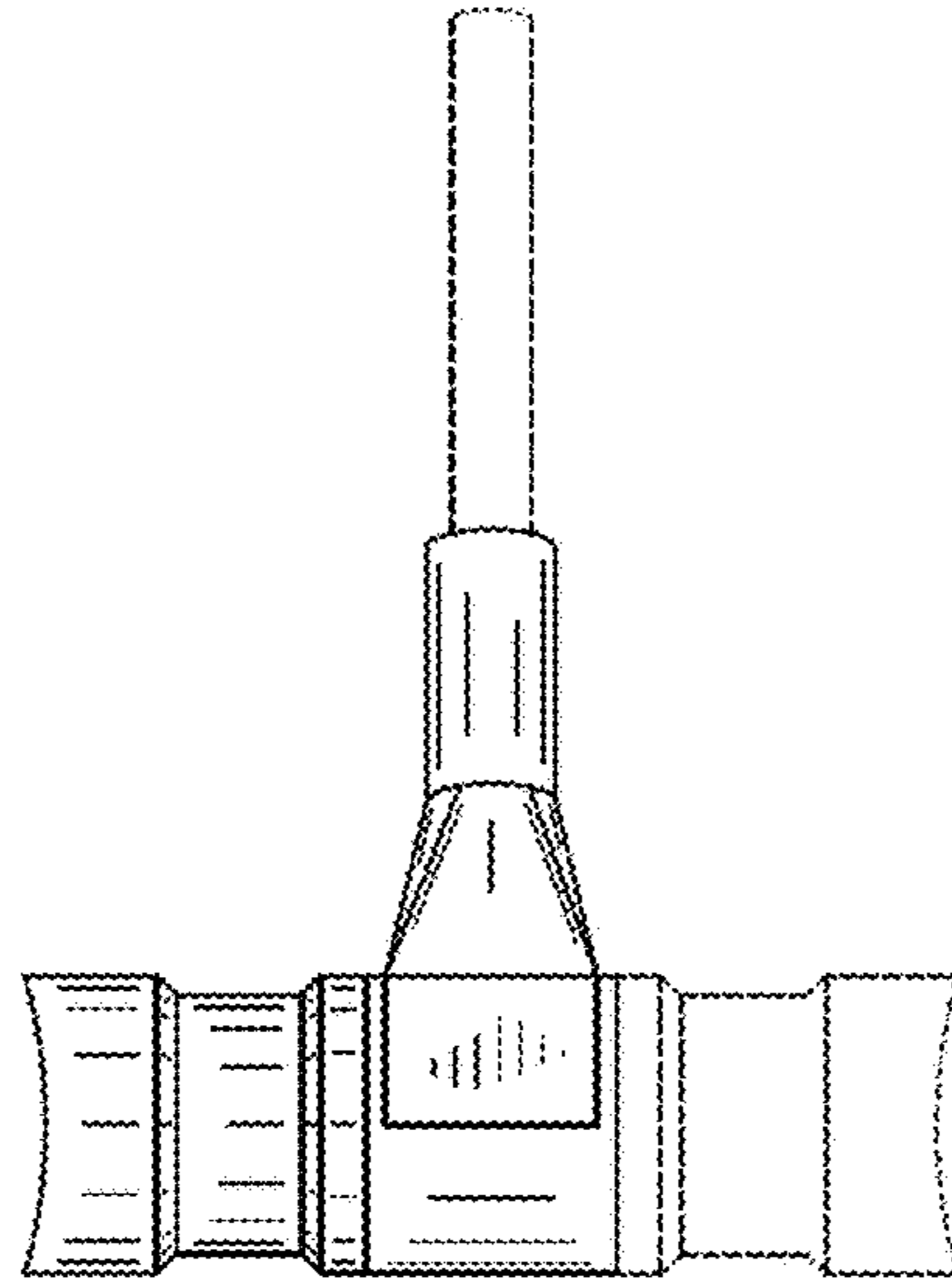


FIG. 15

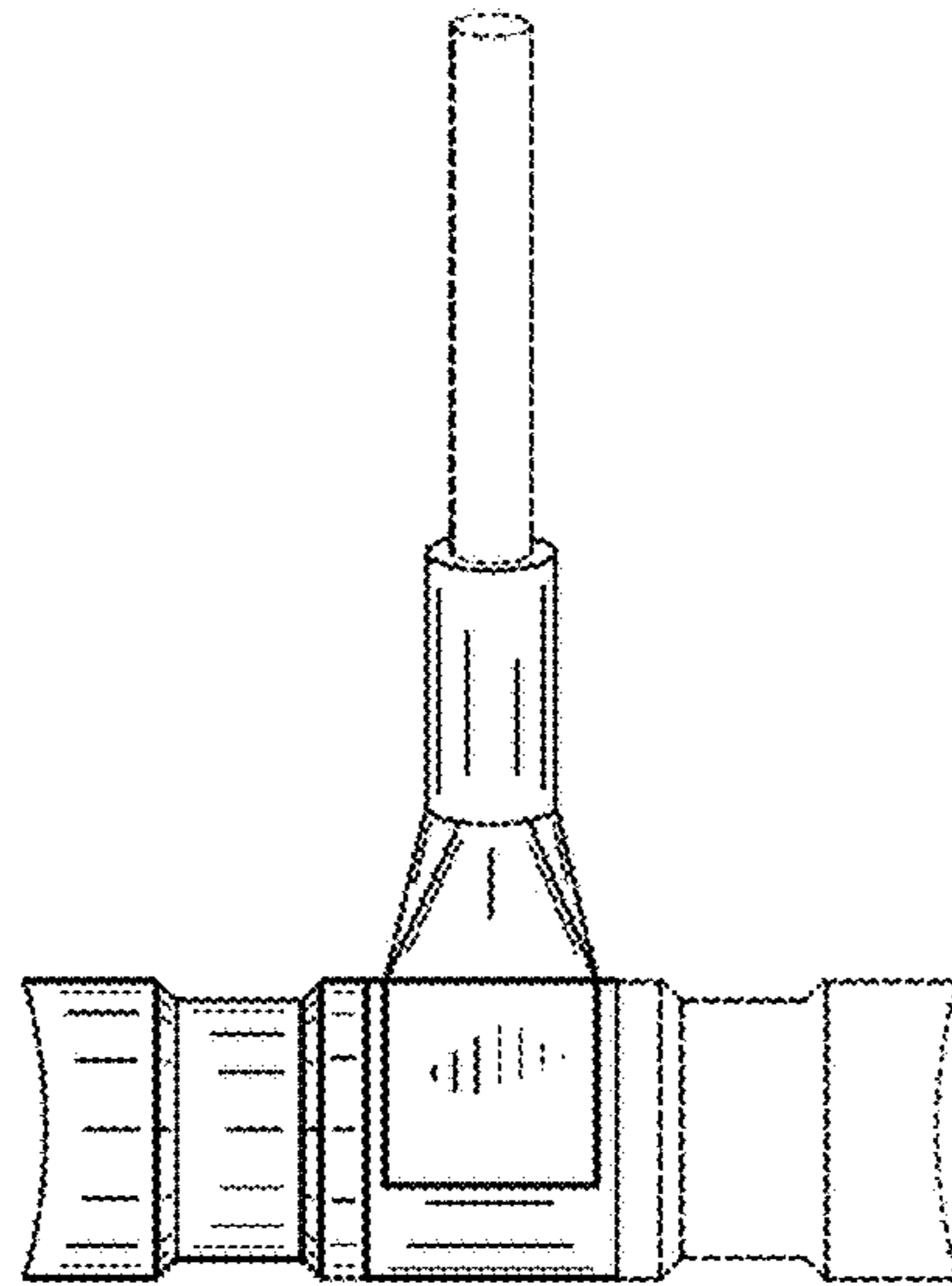


FIG. 16