



US00D802058S

(12) **United States Design Patent**
Ishaque

(10) **Patent No.:** **US D802,058 S**

(45) **Date of Patent:** **** Nov. 7, 2017**

(54) **BLOCK TOY FOR ARTS AND CRAFTS**

(71) Applicant: **Assim Ishaque**, Nottingham (GB)

(72) Inventor: **Assim Ishaque**, Nottingham (GB)

(**) Term: **15 Years**

(21) Appl. No.: **29/505,187**

(22) Filed: **Jul. 15, 2015**

(51) **LOC (10) Cl.** **21-01**

(52) **U.S. Cl.**
USPC **D21/501**

(58) **Field of Classification Search**
USPC D21/484, 485, 486, 488, 489, 491, 494,
D21/495, 499, 500-504; 446/69, 85,
446/102-128; 434/208, 259, 403;
273/153, 156, 160
CPC A63H 33/00; A63H 33/04; A63H 33/042;
A63H 33/06; A63H 33/08; A63H 33/10;
A63H 33/12; A63H 33/14; A63F 9/08;
A63F 9/12; G09B 1/36
See application file for complete search history.

(56) **References Cited**

U.S. PATENT DOCUMENTS

2,132,757	A *	10/1938	Paulson	A63H 33/04 376/459
2,472,363	A *	6/1949	Blackinton	A63H 33/082 446/127
D238,168	S *	12/1975	Ketcham	D21/504
D249,230	S *	9/1978	Van Der Veken	D21/500
D296,344	S *	6/1988	Olsen	D21/491
5,267,863	A *	12/1993	Simmons, Jr.	A63F 9/0613 434/96
D370,503	S *	6/1996	Burns	D21/500
5,556,228	A *	9/1996	Smith	E02B 3/14 405/16
6,059,631	A *	5/2000	Maddock	A63H 33/082 446/104

D699,792	S *	2/2014	Hwang	D21/499
D740,893	S *	10/2015	Simonds et al.	D21/499
2003/0203702	A1 *	10/2003	Germerodt	A63H 33/105 446/85
2004/0121699	A1 *	6/2004	Ladner	A63H 33/082 446/85

OTHER PUBLICATIONS

Certificate of Registration of Design, issued by the Intellectual Property Office of Great Britain, signed by the inventor, Assim Ishaque on Jul. 8, 2015.

Drawings filed for the Design Registration with the Intellectual Property Office of Great Britain, signed by the inventor, Assim Ishaque on Jul. 8, 2015.

Letter issued by the Intellectual Property Office of Great Britain confirming the Design Registration, signed by the inventor, Assim Ishaque on Jul. 8, 2015.

* cited by examiner

Primary Examiner — Cynthia M Chin

(57) **CLAIM**

The ornamental design for a block toy for arts and crafts, as shown and described.

DESCRIPTION

FIG. 1 is a top, right, rear perspective of the 1st embodiment of the block showing my new design;

FIG. 2 is a front view thereof, the right view being a mirror image thereof;

FIG. 3 is the top view thereof, the bottom view being a mirror image thereof;

FIG. 4 is the rear side view thereof, the left side being a mirror image thereof;

FIG. 5 is a perspective view of the 2nd embodiment of the block; with additional blocks drawn in dashed lines indicating potential blocks of differing heights; and,

FIG. 6 is a front view thereof.

The broken lines represent the environment in which the article resides and forms no part of the claimed design.

1 Claim, 3 Drawing Sheets

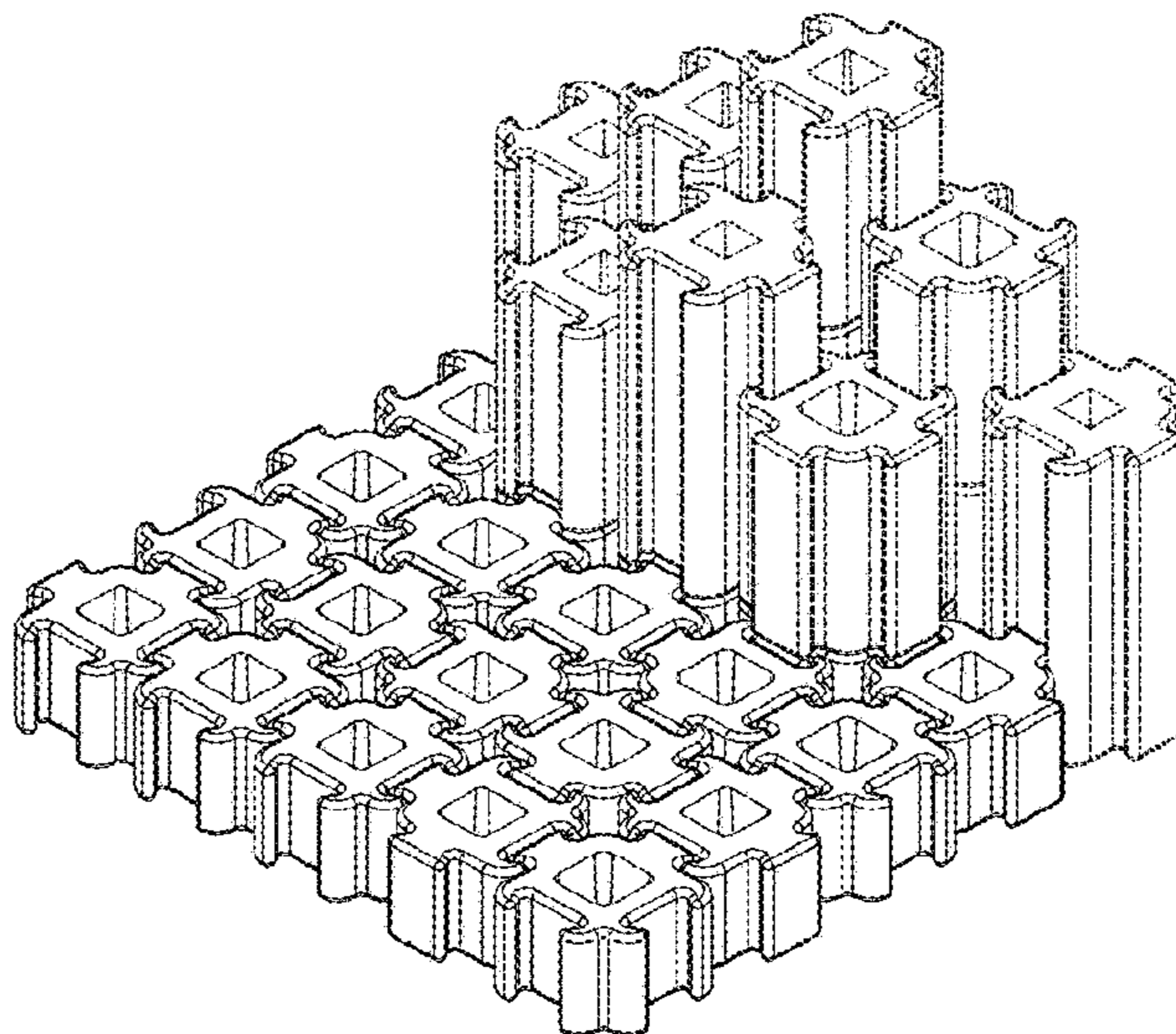
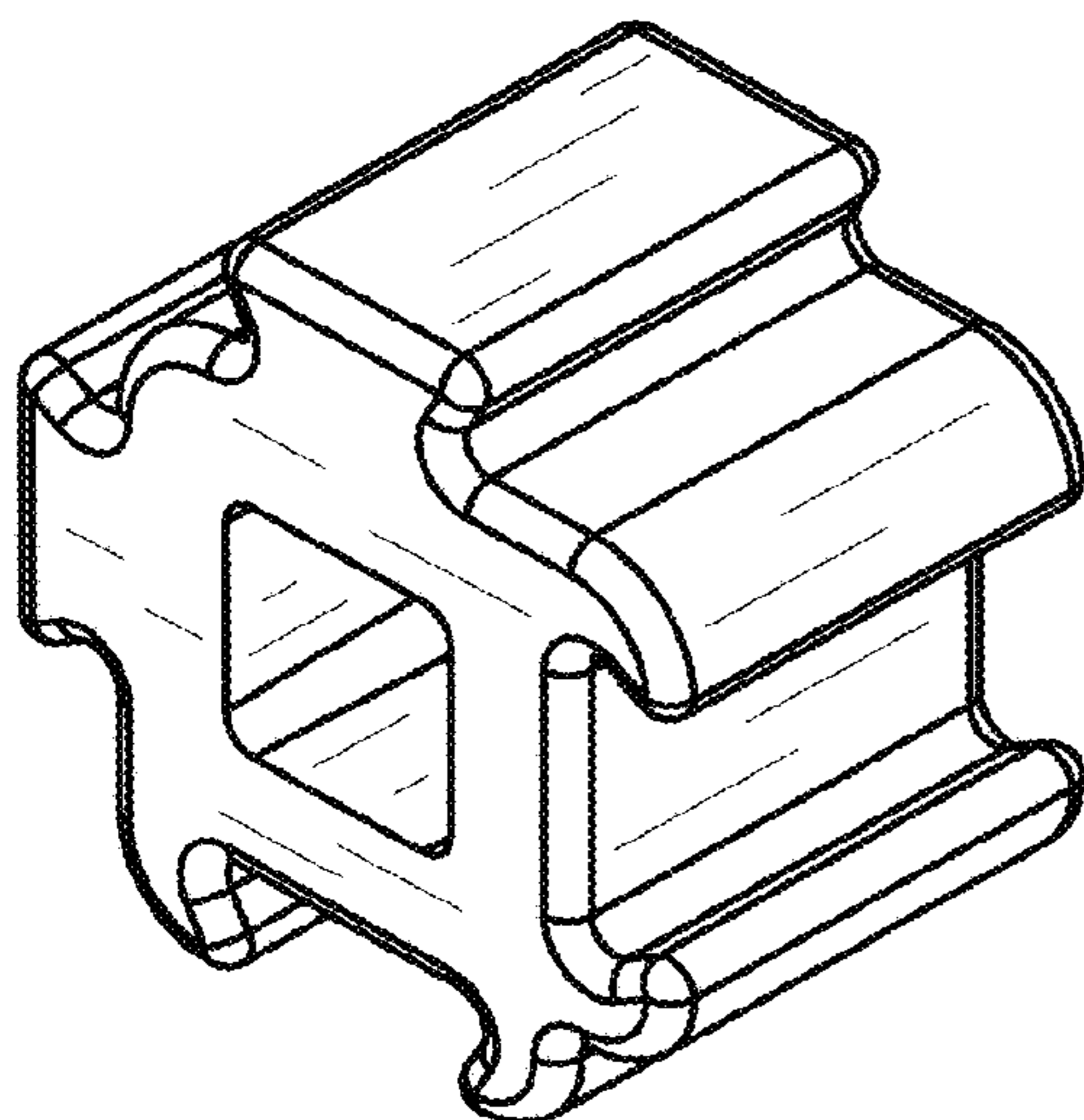


Figure 1

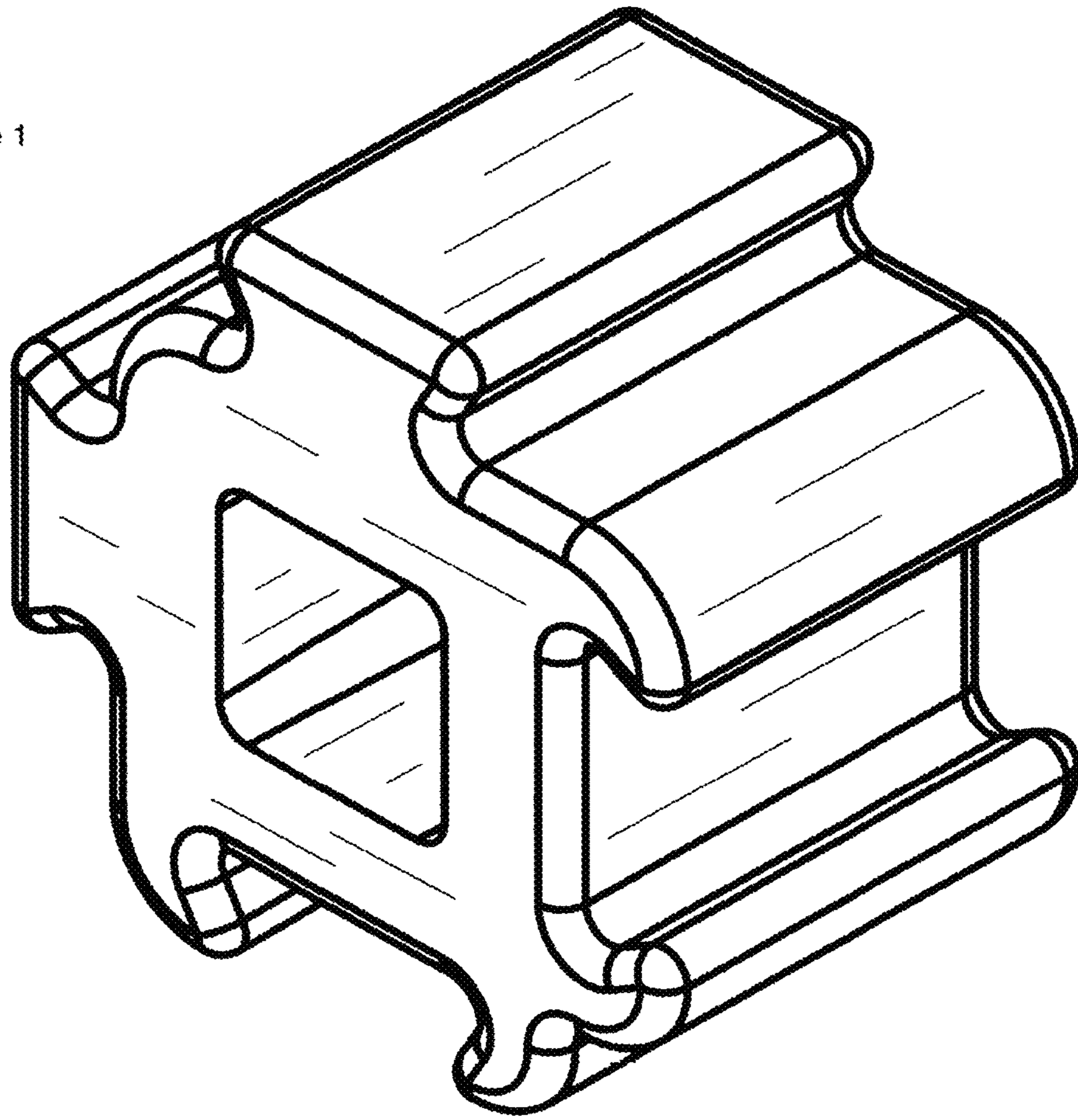


Figure 2

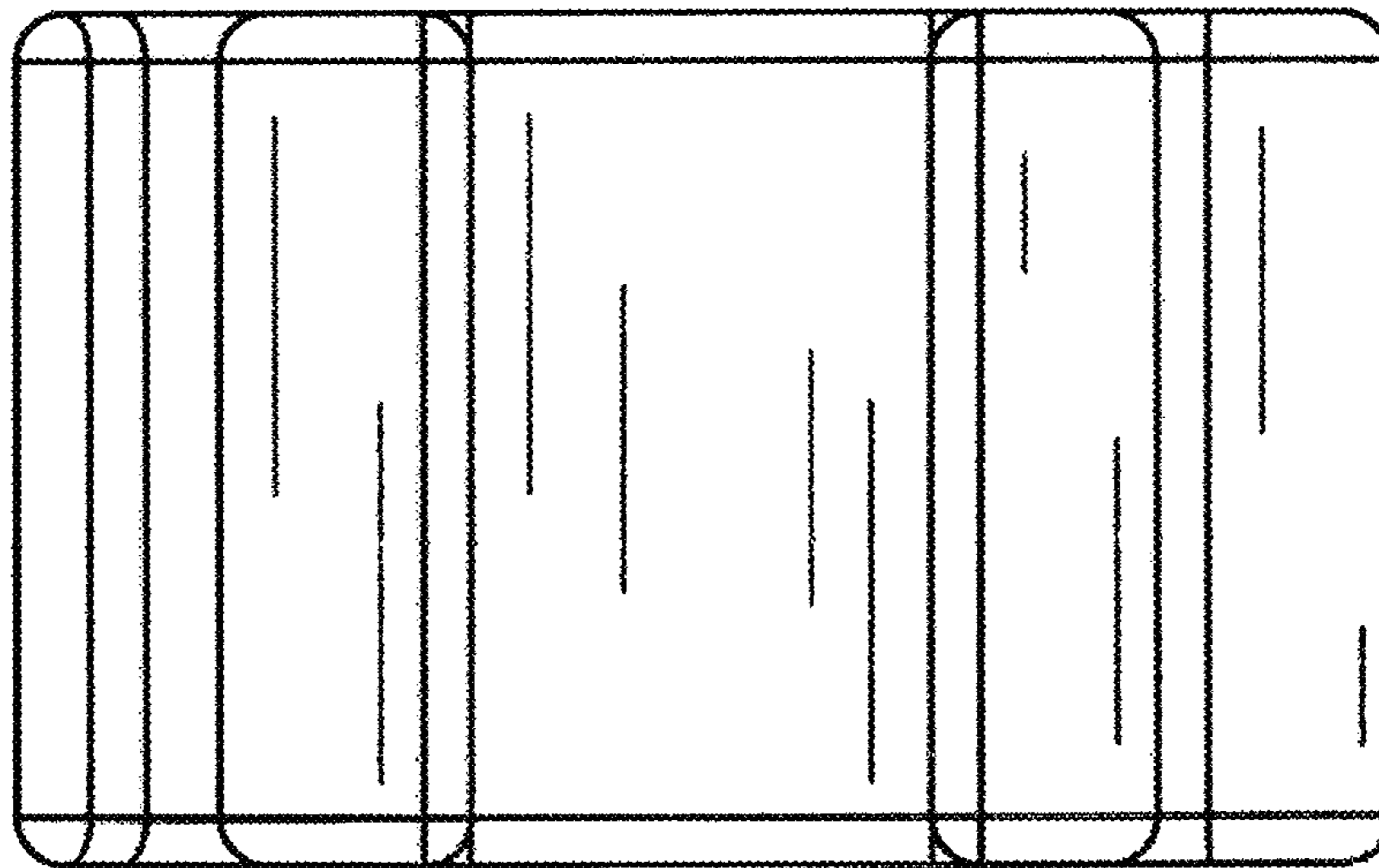


Figure 3

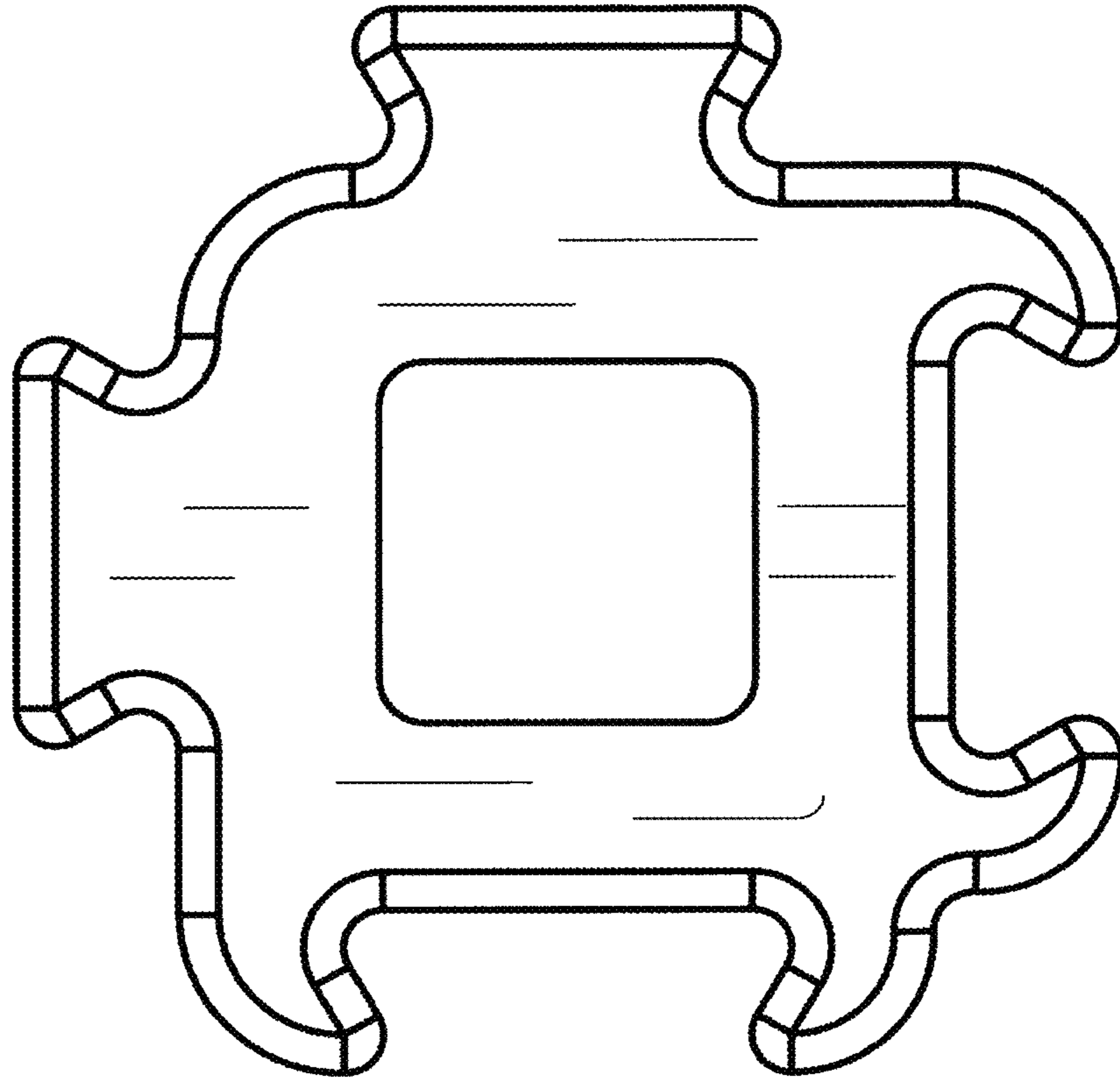


Figure 4

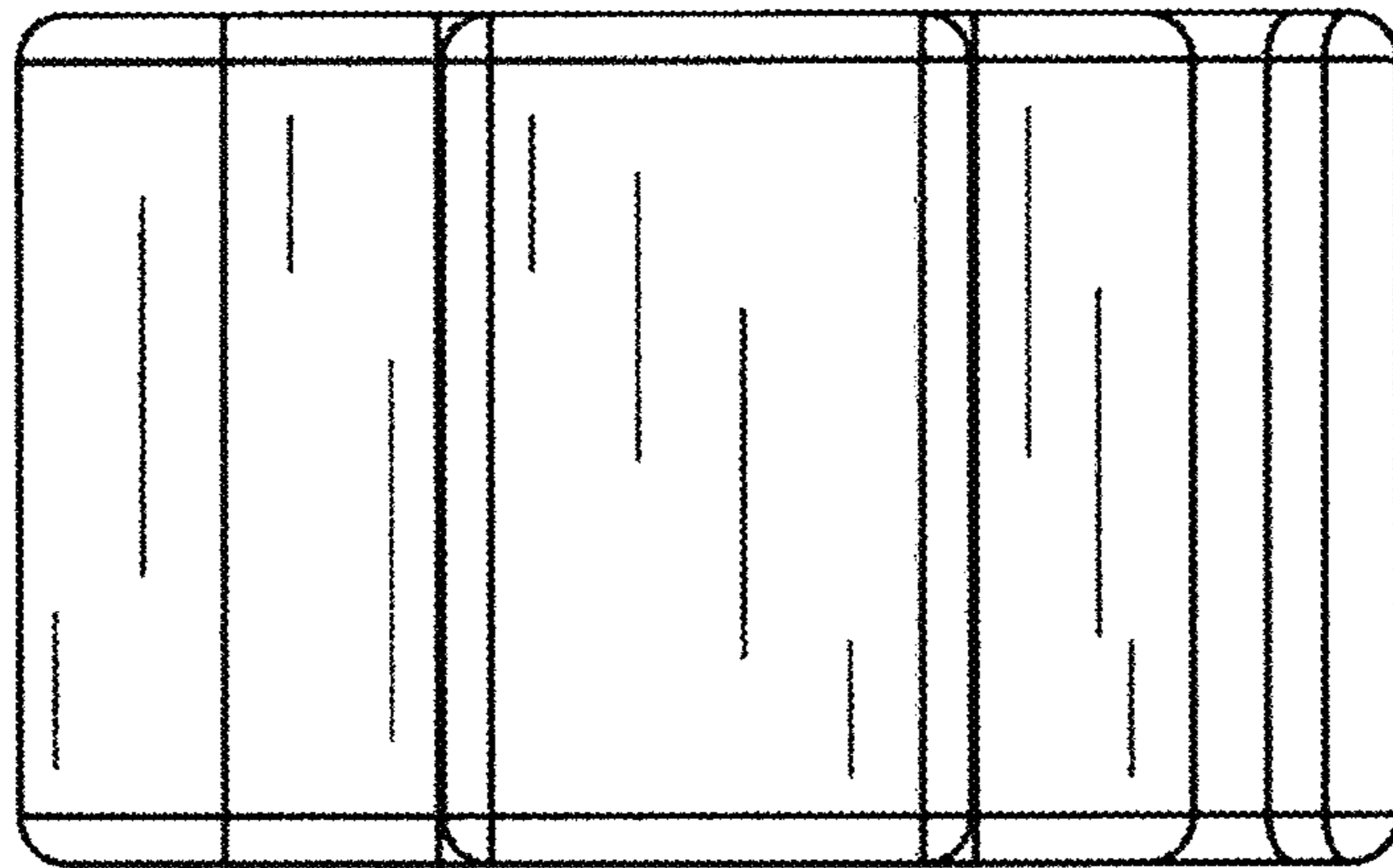


Figure 5

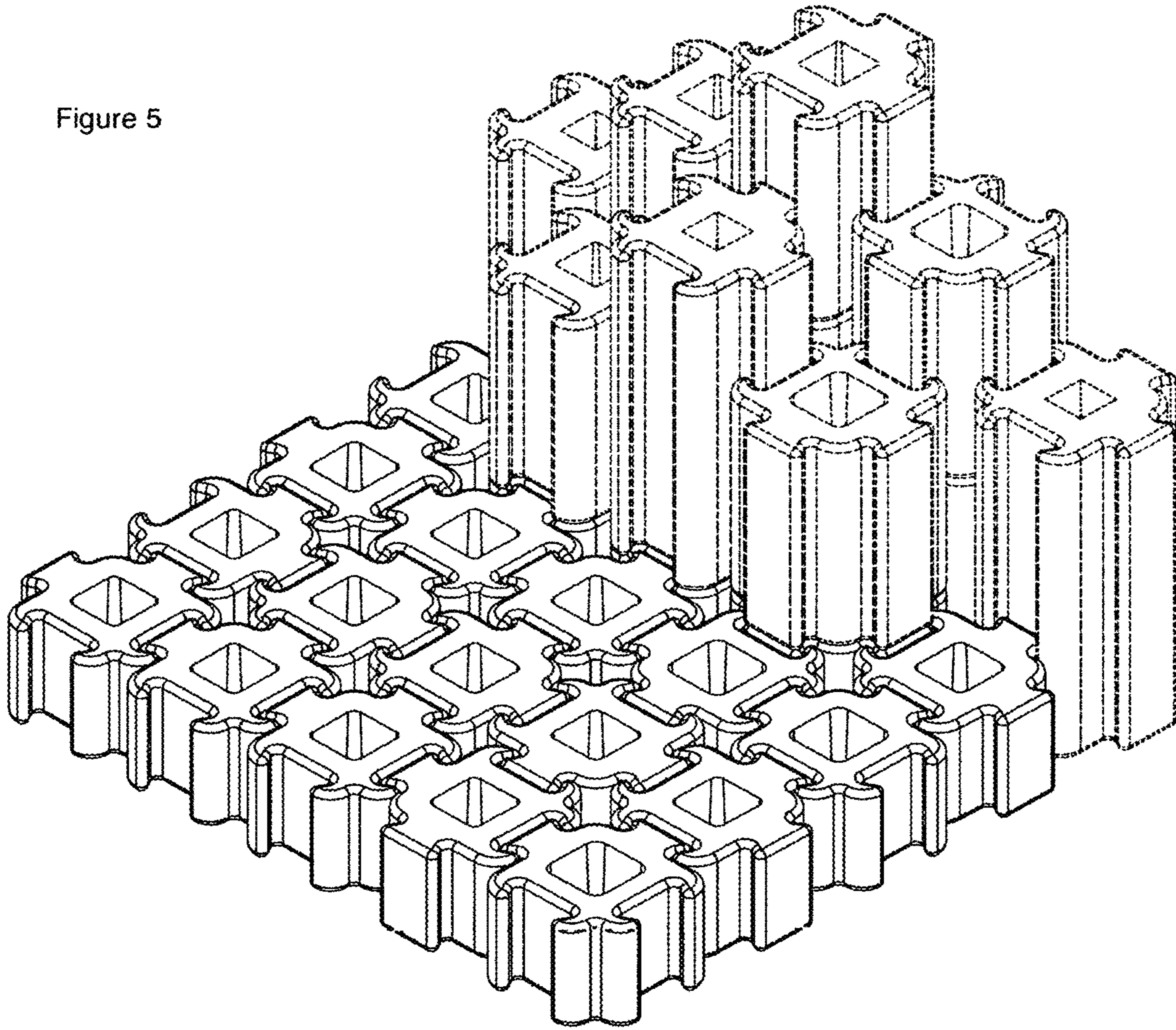


Figure 6

