



US00D802056S

(12) **United States Design Patent** (10) **Patent No.:** **US D802,056 S**
Fink et al. (45) **Date of Patent:** **** Nov. 7, 2017**

- (54) **PLAYING CARD**
- (71) Applicant: **Danfoss Power Solutions GmbH & Co. OHG**, Neumünster (DE)
- (72) Inventors: **Sven Fink**, Linden (DE); **Markus Plassmann**, Kiel (DE)
- (73) Assignee: **Danfoss Power Solutions GmbH & Co. OHG**, Neumünster (DE)
- (**) Term: **15 Years**
- (21) Appl. No.: **29/580,950**
- (22) Filed: **Oct. 14, 2016**
- (51) **LOC (10) Cl.** **21-01**
- (52) **U.S. Cl.**
USPC **D21/376**
- (58) **Field of Classification Search**
USPC D21/300, 334, 335, 363, 365, 369,
D21/376-383, 385, 386, 388, 389, 392,
D21/396, 397, 483, 576, 621, 627;
D25/113-115, 118
CPC A63F 1/001; A63F 1/003; A63F 1/005;
A63F 1/006; A63F 1/062; A63F 1/067;
A63F 1/08; A63F 1/10; A63F 1/12; A63F
1/14; A63F 7/0017; A63F 7/0023; A63F
9/20
See application file for complete search history.

- (56) **References Cited**
U.S. PATENT DOCUMENTS
D36,964 S * 6/1904 Fortier D21/376
D264,733 S * 6/1982 Nugroho 273/304

- D264,853 S * 6/1982 Scavino D19/10
- D290,136 S * 6/1987 Ball D19/10
- D424,628 S * 5/2000 Luciano D18/26
- D437,004 S * 1/2001 Luciano D14/490
- D443,298 S * 6/2001 Webb D14/437
- D514,619 S * 2/2006 Brink D19/9
- 7,354,043 B2 * 4/2008 McGinniss A63F 1/00
273/157 R
- D590,450 S * 4/2009 Streeter D21/369
- D788,162 S * 5/2017 Kim D14/489

* cited by examiner

Primary Examiner — George D. Kirschbaum
Assistant Examiner — Joseph J Kukella
(74) *Attorney, Agent, or Firm* — McCormick, Paulding & Huber LLP

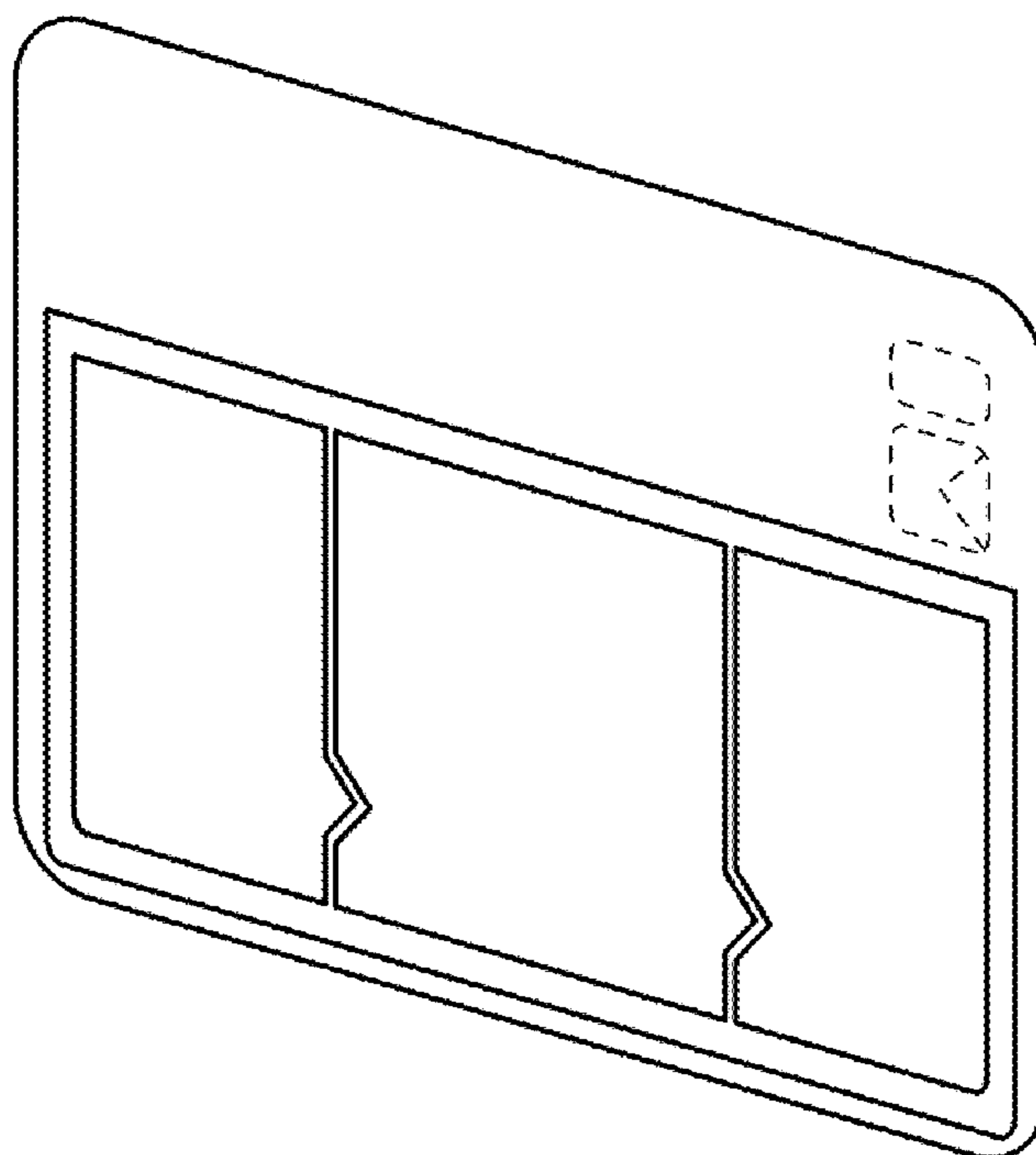
(57) **CLAIM**

The ornamental design for a playing card, substantially as shown and described.

DESCRIPTION

FIG. 1 is a front, right side and top perspective view of a playing card comprising a new, original and ornamental design;
FIG. 2 is a front view thereof;
FIG. 3 is a rear view thereof;
FIG. 4 is a left side view thereof;
FIG. 5 is a right side view thereof;
FIG. 6 is a top view thereof; and,
FIG. 7 is a bottom view thereof.
In the drawings, the broken lines depict environmental subject matter only and form no part of the claimed design.

1 Claim, 1 Drawing Sheet



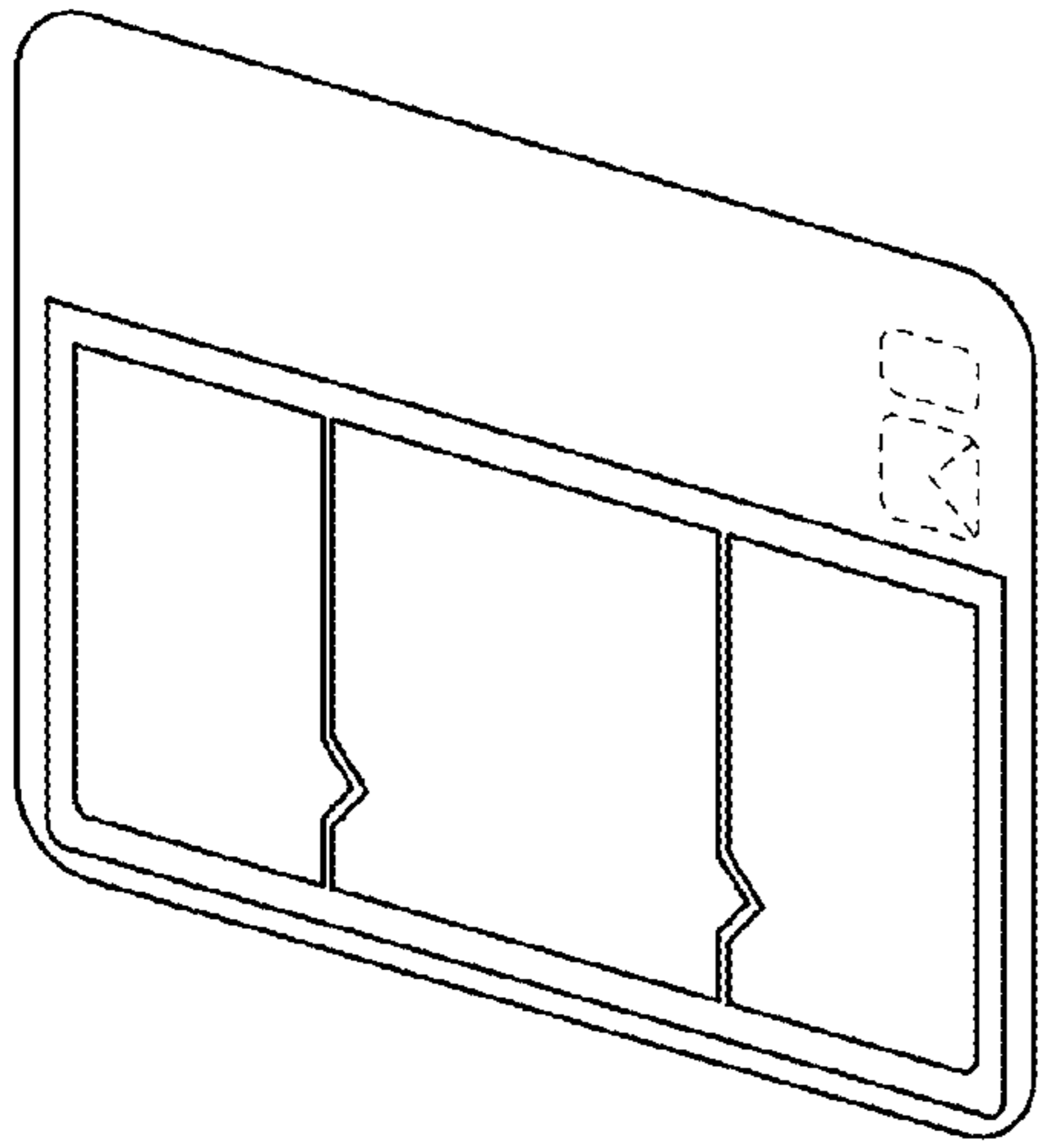


FIG. 1

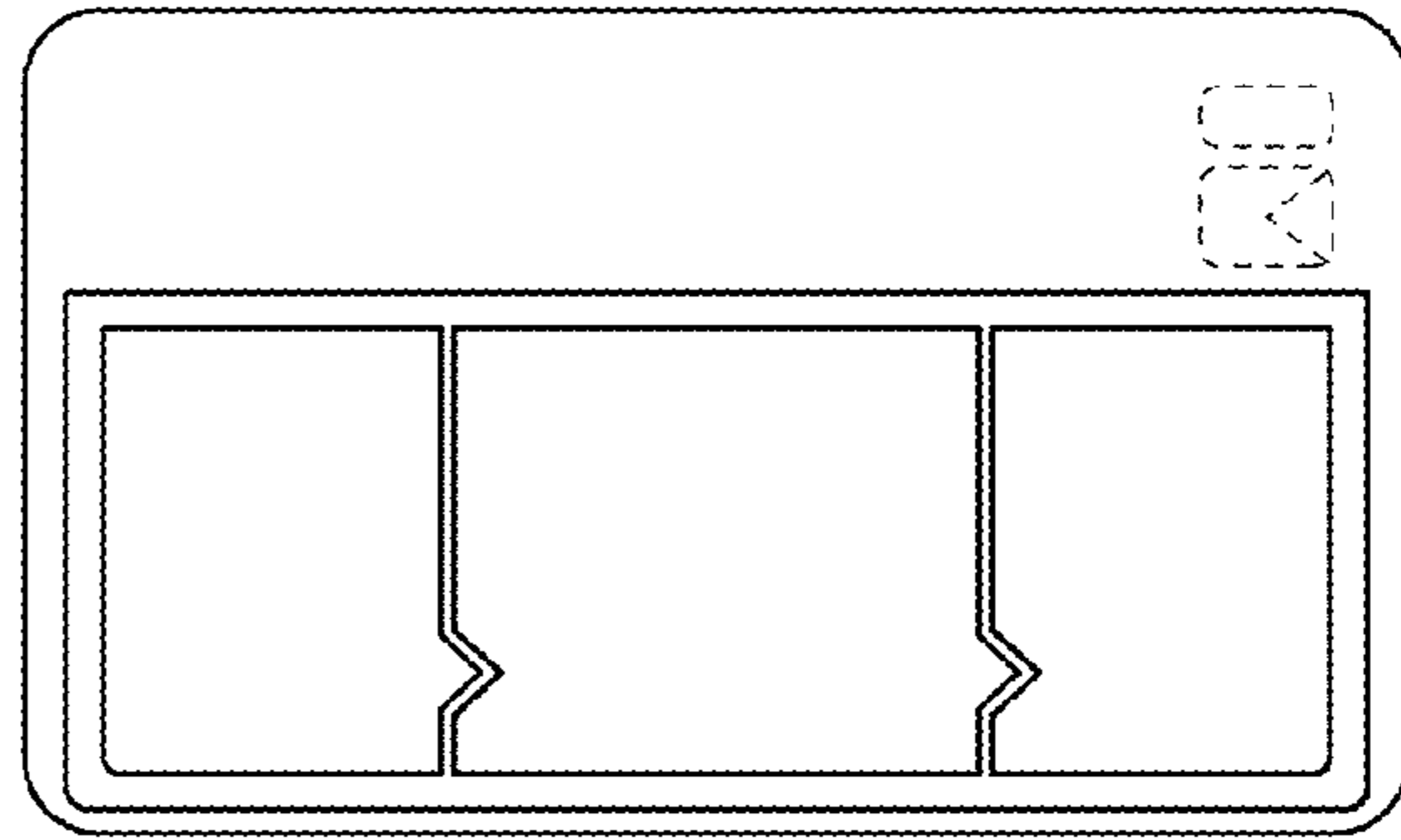


FIG. 2

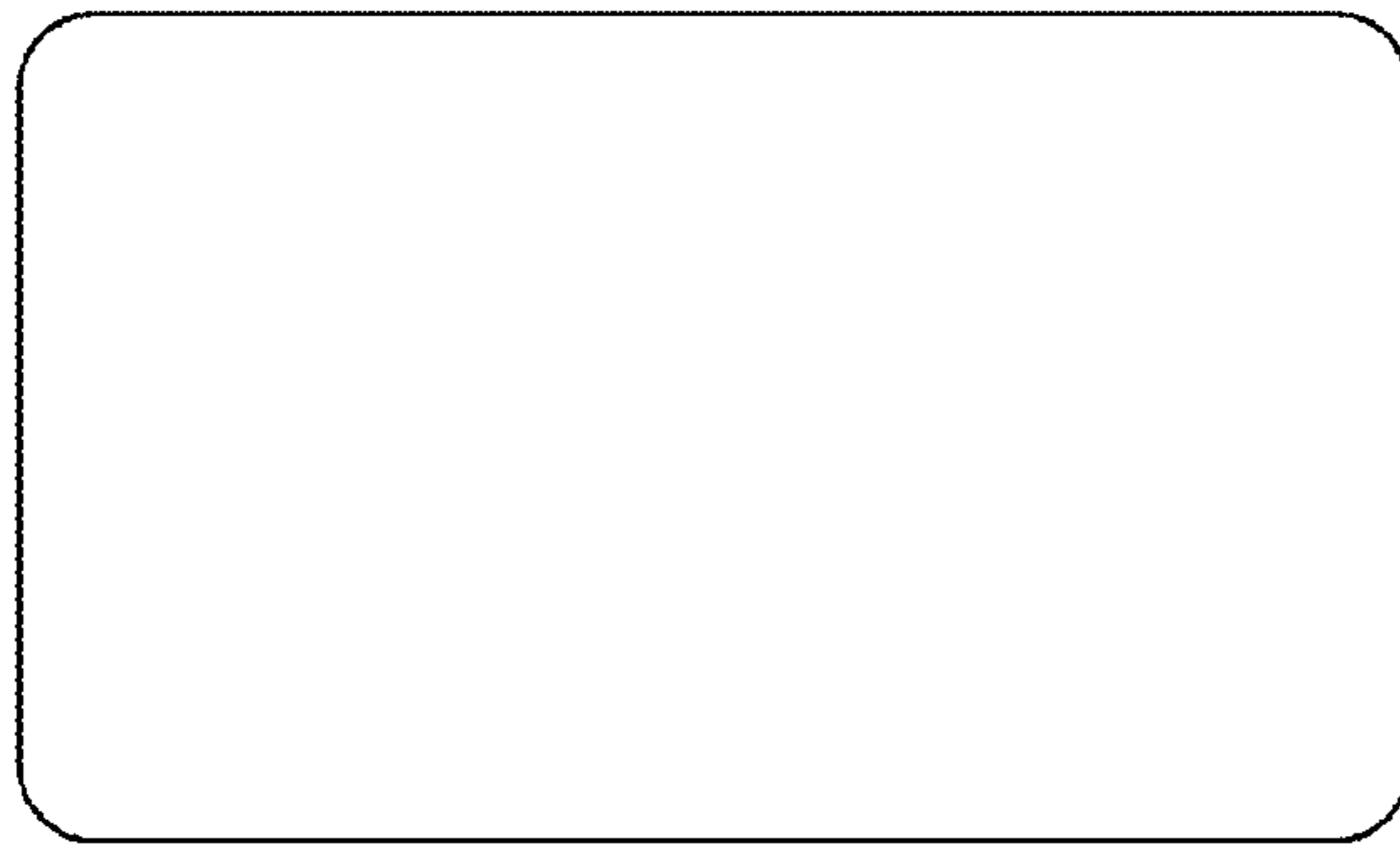


FIG. 3

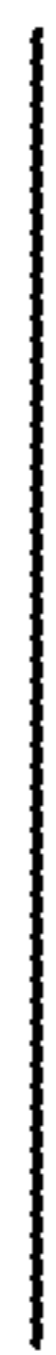


FIG. 4



FIG. 5



FIG. 6



FIG. 7