



US00D802055S

(12) **United States Design Patent** (10) **Patent No.:** **US D802,055 S**  
**Chen et al.** (45) **Date of Patent:** **\*\* Nov. 7, 2017**

(54) **WIRELESS GAME CONTROLLER**

(56) **References Cited**

(71) Applicant: **Oculus VR, LLC**, Menlo Park, CA (US)

U.S. PATENT DOCUMENTS

(72) Inventors: **Yi-yaun Chen**, Seattle, WA (US); **Peter Wesley Bristol**, Seattle, WA (US); **Robert Bruce Hubler**, Woodinville, WA (US); **Quintin Morris**, Issaquah, WA (US)

4,552,360 A	11/1985	Schenck et al.	
5,181,009 A *	1/1993	Perona .....	G04B 37/12 273/DIG. 26
D341,094 S *	11/1993	Austin .....	D10/46.1
5,265,009 A	11/1993	Colavita et al.	
D350,351 S *	9/1994	Nakamura .....	D14/498
D369,754 S *	5/1996	Donaldson .....	D10/46.1
5,796,354 A *	8/1998	Cartabiano .....	G06F 3/014 273/148 B
5,982,355 A	11/1999	Jaeger et al.	
D418,174 S *	12/1999	Jankowski .....	D10/46.1

(73) Assignee: **Oculus VR, LLC**, Menlo Park, CA (US)

(\*\*) Term: **15 Years**

(21) Appl. No.: **29/571,027**

(22) Filed: **Jul. 13, 2016**

OTHER PUBLICATIONS

Canadian Examiner's Report in Patent Application No. 163,150, mailing date Apr. 8, 2016, 7 pages.  
(Continued)

**Related U.S. Application Data**

(62) Division of application No. 29/529,915, filed on Jun. 11, 2015, now Pat. No. Des. 772,986.

(51) **LOC (10) Cl.** ..... **21-01**

(52) **U.S. Cl.**  
USPC ..... **D21/333**; D14/496; D14/203.3;  
D14/203.5

(58) **Field of Classification Search**

USPC ..... D14/496, 401, 435, 474, 483, 217, 137,  
D14/138, 160, 168, 356, 203.1-203.8,  
D14/507; 345/156, 169, 173-179, 905;  
715/727-729, 864, 700, 706, 719; 710/1,  
710/5, 8; 713/1, 600; 455/1.1, 1.7, 73,  
455/344-347, 93, 95, 3.01-3.06, 550.1,  
455/573.1; 370/342-344; 369/1, 2,  
369/6-12; 463/51-57, 40-47, 1, 29-35;  
D21/324, 328, 333; 273/148 B;  
D10/46.1  
CPC .. A63F 13/00; A63F 13/02; A63F 9/00; G06F  
17/00; G06F 19/00  
See application file for complete search history.

*Primary Examiner* — Prabhakar G Deshmukh

(74) *Attorney, Agent, or Firm* — Perkins Coie LLP

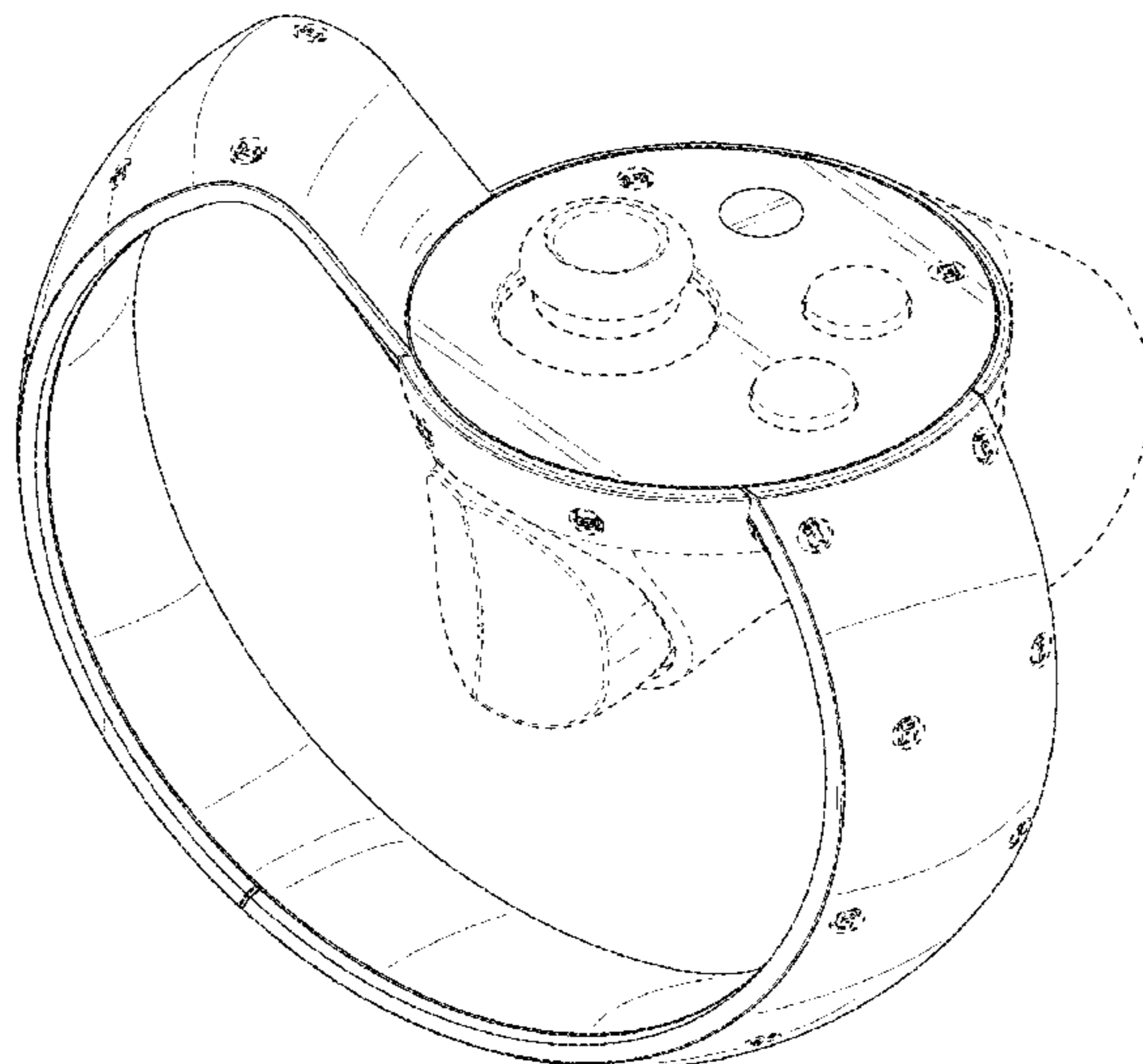
(57) **CLAIM**

The ornamental design for a wireless game controller, as shown and described.

**DESCRIPTION**

FIG. 1 is a front isometric view of a wireless game controller showing the new design.  
FIG. 2 is a front elevation view thereof.  
FIG. 3 is a rear elevation view thereof.  
FIG. 4 is a left side elevation view thereof.  
FIG. 5 is a right side elevation view thereof.  
FIG. 6 is a top plan view thereof; and,  
FIG. 7 is a bottom plan view thereof.  
The broken lines indicate unclaimed subject matter and form no part of the claimed design.

**1 Claim, 7 Drawing Sheets**



(56)

References Cited

U.S. PATENT DOCUMENTS

D418,879 S 1/2000 Hornsby et al.  
 6,192,253 B1\* 2/2001 Charlier ..... H04B 1/385  
 455/340  
 6,430,110 B2 8/2002 Baroche et al.  
 D472,972 S 4/2003 Anderson et al.  
 6,590,835 B2\* 7/2003 Farine ..... G04C 3/001  
 368/10  
 6,970,157 B2 11/2005 Siddeeq et al.  
 7,004,469 B2\* 2/2006 von Goeben ..... A63B 69/004  
 273/348  
 7,106,197 B2\* 9/2006 Gaiotto ..... B64D 45/0015  
 340/539.11  
 7,345,670 B2 3/2008 Armstrong et al.  
 D586,823 S\* 2/2009 Anderson ..... D14/496  
 D616,417 S 5/2010 Liao et al.  
 8,064,972 B2\* 11/2011 McLoone ..... A63F 13/02  
 455/41.2  
 8,188,842 B2 5/2012 Otsuka et al.  
 8,795,078 B1 8/2014 Musick, Jr. et al.  
 8,994,643 B2 3/2015 Goodwin et al.  
 D729,803 S 5/2015 Avery et al.  
 9,141,087 B2 9/2015 Brown et al.  
 9,386,662 B1 7/2016 Krueger et al.  
 9,421,472 B2\* 8/2016 Buller ..... A63F 13/98  
 D772,986 S 11/2016 Bristol et al.  
 D780,807 S 3/2017 Bristol et al.  
 2001/0015718 A1 8/2001 Hinckley et al.  
 2004/0222963 A1 11/2004 Guo et al.  
 2005/0255915 A1 11/2005 Riggs et al.  
 2007/0049374 A1 3/2007 Ikeda et al.  
 2007/0066394 A1 3/2007 Ikeda et al.  
 2008/0261693 A1 10/2008 Zalewski et al.  
 2008/0261695 A1 10/2008 Coe et al.  
 2009/0143110 A1 6/2009 Armstrong et al.  
 2009/0295721 A1 12/2009 Yamamoto et al.  
 2009/0298590 A1 12/2009 Marks et al.  
 2010/0009760 A1 1/2010 Shimamura et al.  
 2010/0085321 A1 4/2010 Pundsack et al.  
 2010/0144436 A1 6/2010 Marks et al.  
 2013/0324254 A1 12/2013 Huang et al.  
 2014/0364212 A1 12/2014 Osman et al.  
 2015/0077398 A1 3/2015 Yairi et al.  
 2015/0094142 A1 4/2015 Stafford  
 2015/0258431 A1 9/2015 Stafford et al.  
 2015/0268920 A1 9/2015 Schapiro  
 2016/0357249 A1 12/2016 Webb et al.  
 2016/0357261 A1 12/2016 Webb et al.  
 2016/0361637 A1 12/2016 Bristol et al.  
 2016/0361638 A1 12/2016 Rogoza et al.  
 2016/0363996 A1 12/2016 Rogoza et al.  
 2016/0364910 A1 12/2016 Katz et al.  
 2017/0128828 A1 5/2017 Long  
 2017/0131767 A1 5/2017 Long

2017/0136351 A1 5/2017 Long  
 2017/0139481 A1 5/2017 Long et al.  
 2017/0177102 A1 6/2017 Long

OTHER PUBLICATIONS

Canadian Examiner's Report in Patent Application No. 163,150, mailing date Dec. 15, 2015, 5 pages.  
 Canadian Examiner's Report in Patent Application No. 167,456, mailing date Apr. 8, 2016, 1 page.  
 Canadian Examiner's Report in Patent Application No. 167,457, mailing date Apr. 8, 2016, 1 page.  
 Canadian Examiner's Report in Patent Application No. 167,458, mailing date Apr. 8, 2016, 1 page.  
 First Examination Report in Indian Patent Application No. 278272, mailing date Mar. 18, 2016, 2 pages.  
 First Examination Report in Indian Patent Application No. 278273, mailing date Mar. 18, 2016, 2 pages.  
 First Examination Report in Indian Patent Application No. 278274, mailing date Mar. 14, 2016, 2 pages.  
 First Examination Report in Indian Patent Application No. 278275, mailing date Mar. 28, 2016, 2 pages.  
 Notice of Allowance mailed Jun. 29, 2016, for U.S. Appl. No. 29/529,915 by Chen, Y., et al., filed Jun. 11, 2015.  
 Restriction Requirement mailed Apr. 8, 2016, for U.S. Appl. No. 29/529,915 by Chen, Y., et al., filed Jun. 11, 2015.  
 U.S. Appl. No. 14/991,875 by Drinkwater, J., et al., filed Jan. 8, 2016.  
 U.S. Appl. No. 29/529,915 by Chen, Y., et al., filed Jun. 11, 2015.  
 U.S. Appl. No. 29/571,025 by Chen, Y., et al., filed Jul. 13, 2016.  
 U.S. Appl. No. 29/571,030 by Chen, Y., et al., filed Jul. 13, 2016.  
 Notice of Allowance mailed Sep. 27, 2016, for U.S. Appl. No. 29/529,915 by Chen, Y., et al., filed Jun. 11, 2015.  
 Office Action in Korean Patent Application No. 30-2015-0063452, mailing date Aug. 9, 2016, 3 pages.  
 Office Action in Mexican Design Patent Application No. MX/f/2015/003769, mailing date Feb. 7, 2017, 4 pages.  
 Non-Final Office Action dated Mar. 23, 2017 for U.S. Appl. No. 14/934,073 by Long, C., et al., filed Nov. 5, 2015.  
 Non-Final Office Action dated Mar. 30, 2017 for U.S. Appl. No. 14/939,470 by Long, C., et al., filed Nov. 12, 2015.  
 Non-Final Office Action dated Apr. 7, 2017 for U.S. Appl. No. 14/975,049 by Long, C., et al., filed Dec. 18, 2015.  
 Ex Parte Quayle Action dated May 5, 2017 for U.S. Appl. No. 29/571,030 by Chen, Y., et al., filed Jul. 13, 2016.  
 Ex Parte Quayle Action dated May 8, 2017 for U.S. Appl. No. 29/571,025 by Chen, Y., et al., filed Jul. 13, 2016.  
 Notice of Allowance dated Jun. 15, 2017 of U.S. Appl. No. 29/571,030 by Chen, Y., et al., filed Jul. 13, 2016.  
 Notice of Allowance dated Jun. 21, 2017 for U.S. Appl. No. 29/571,025 by Chen, Y., et al., filed Jul. 13, 2016.

\* cited by examiner



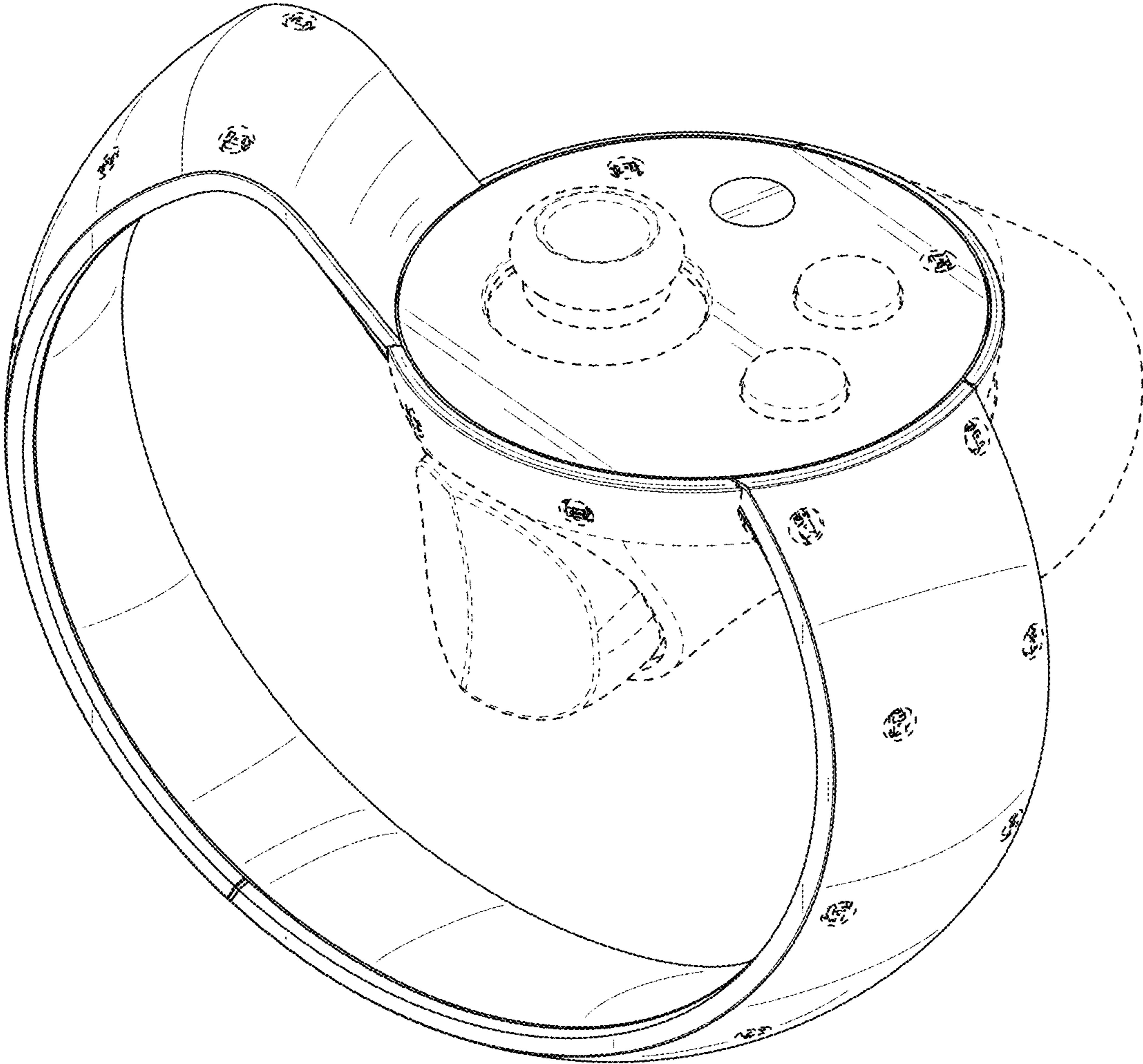


Fig. 1

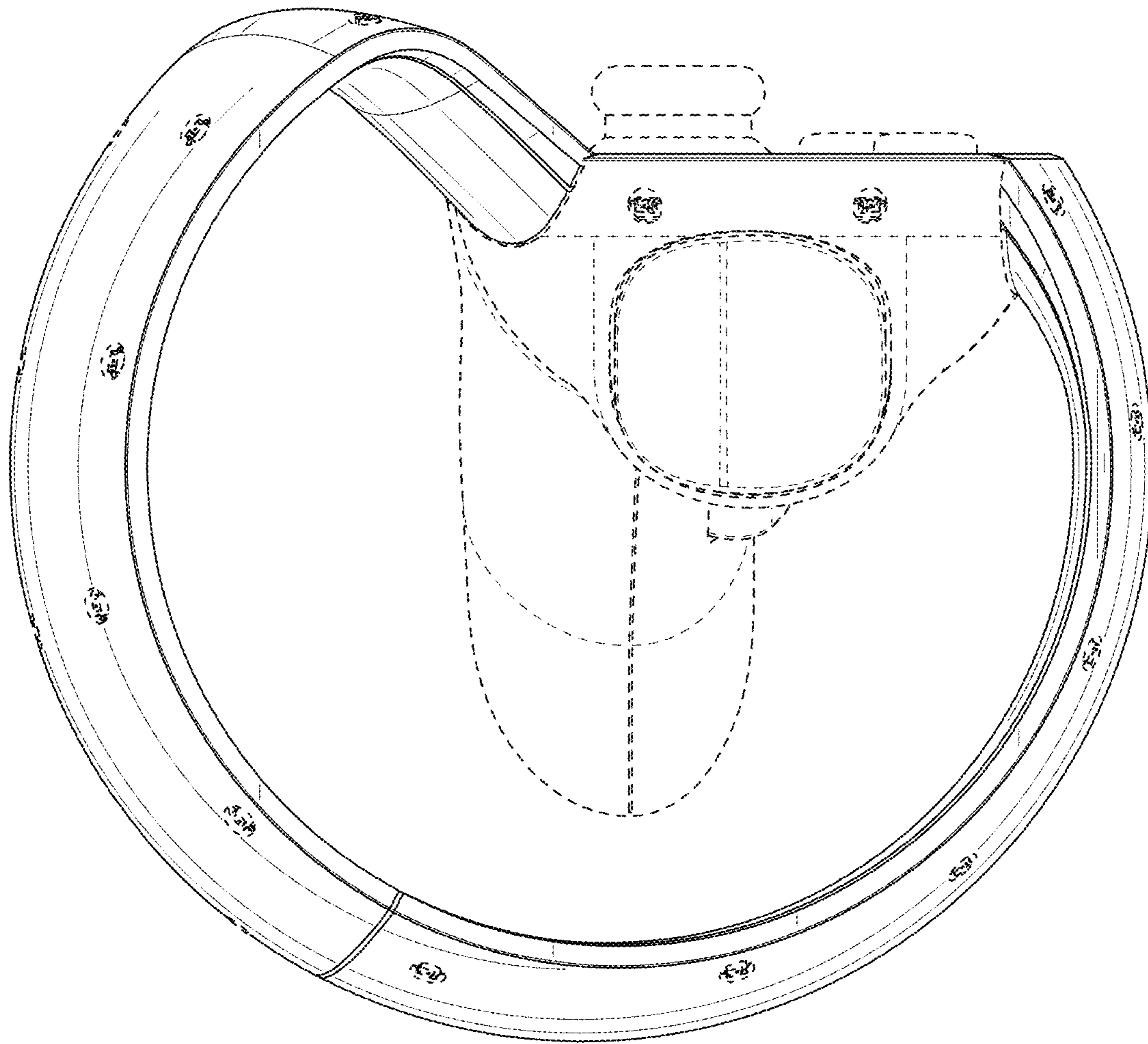


Fig. 2

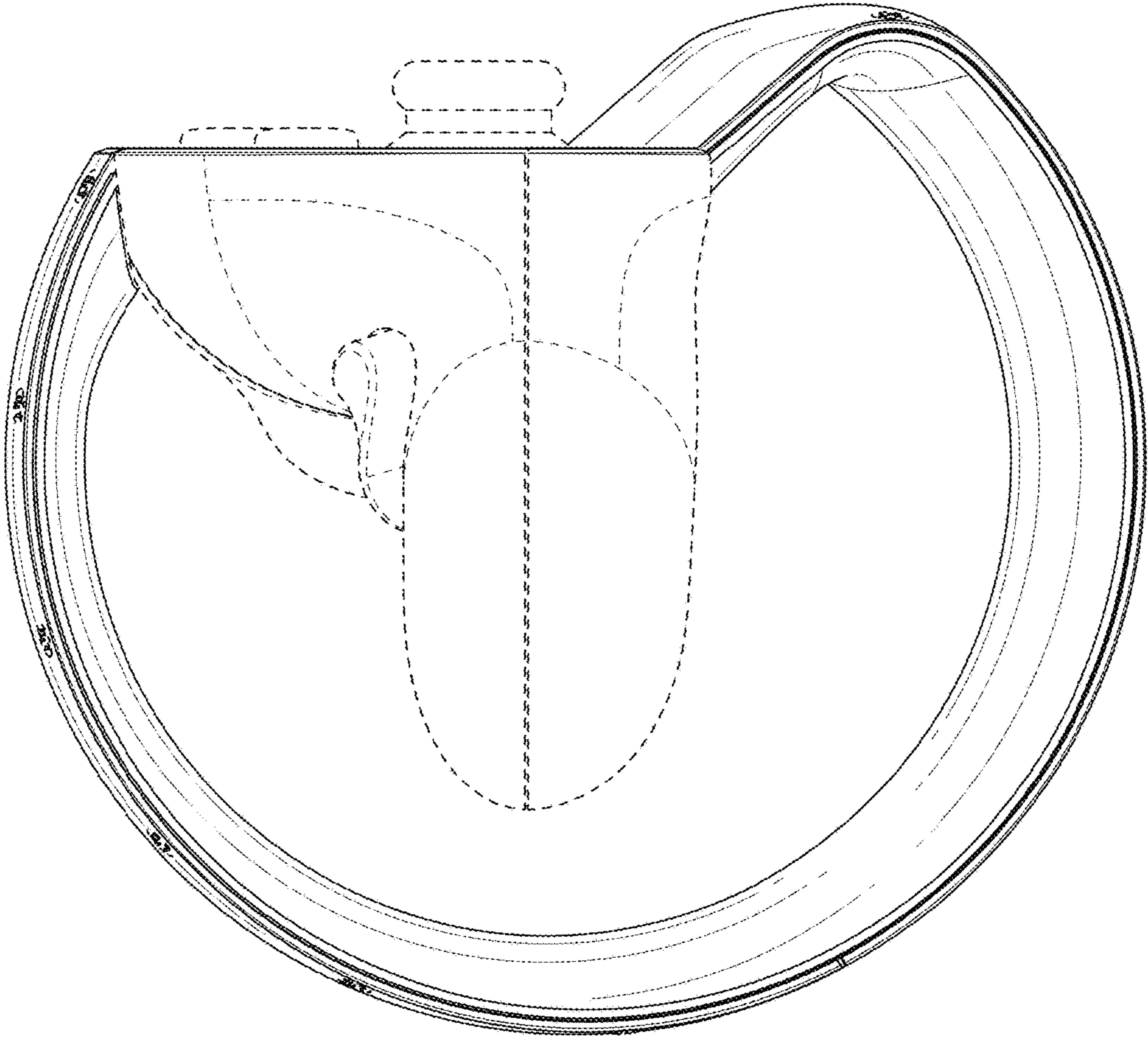


Fig. 3

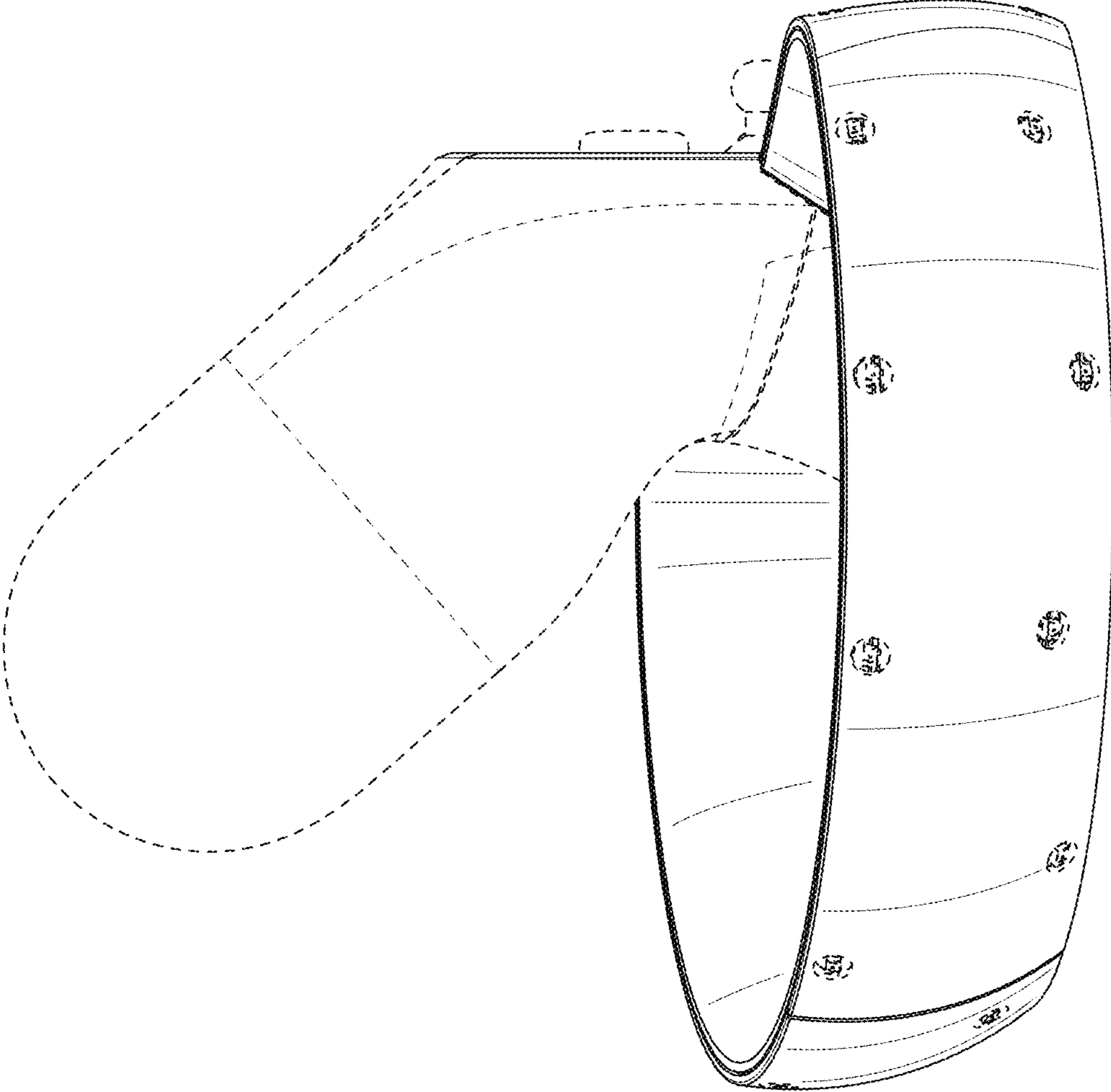


Fig. 4

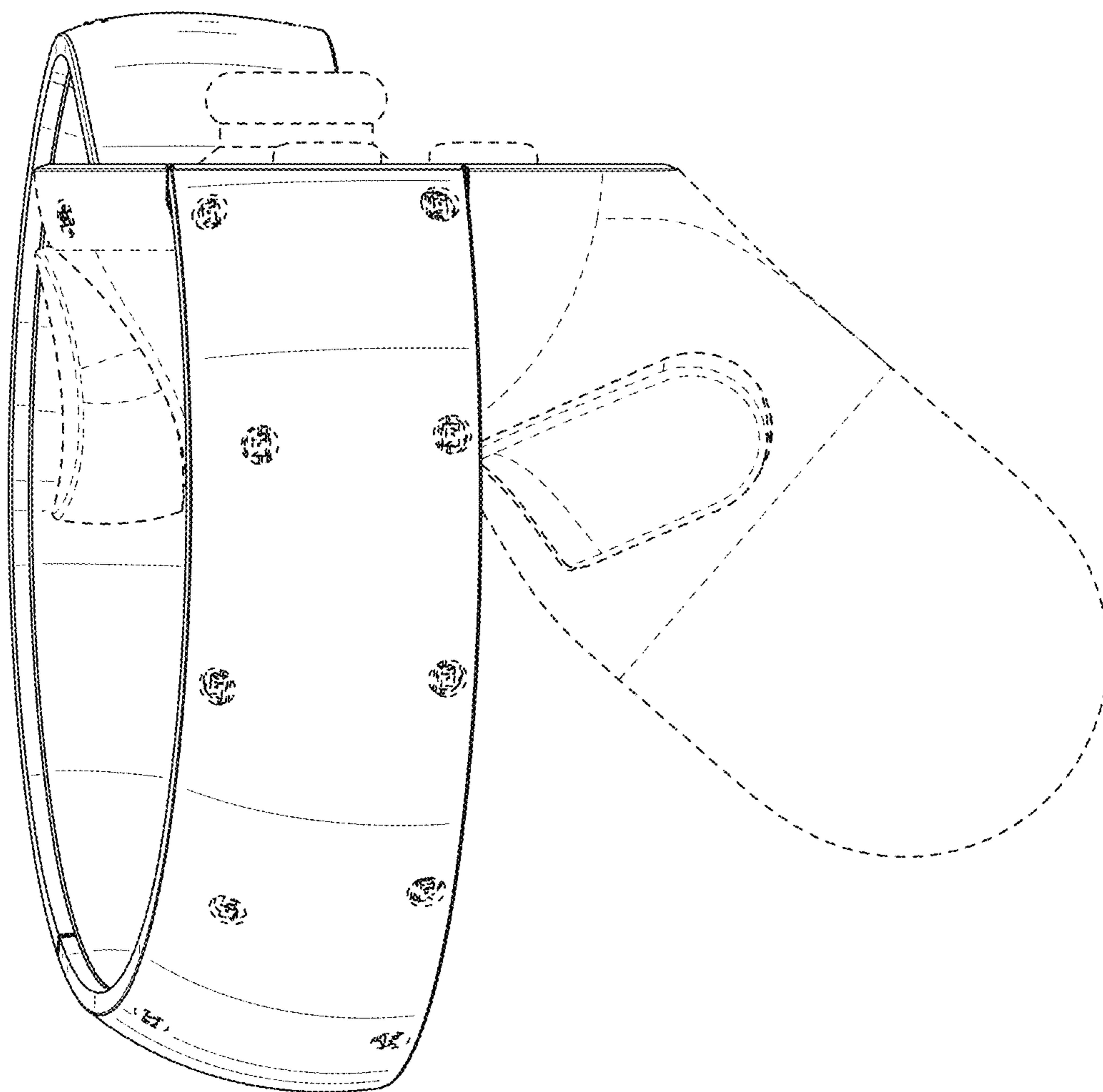


Fig. 5



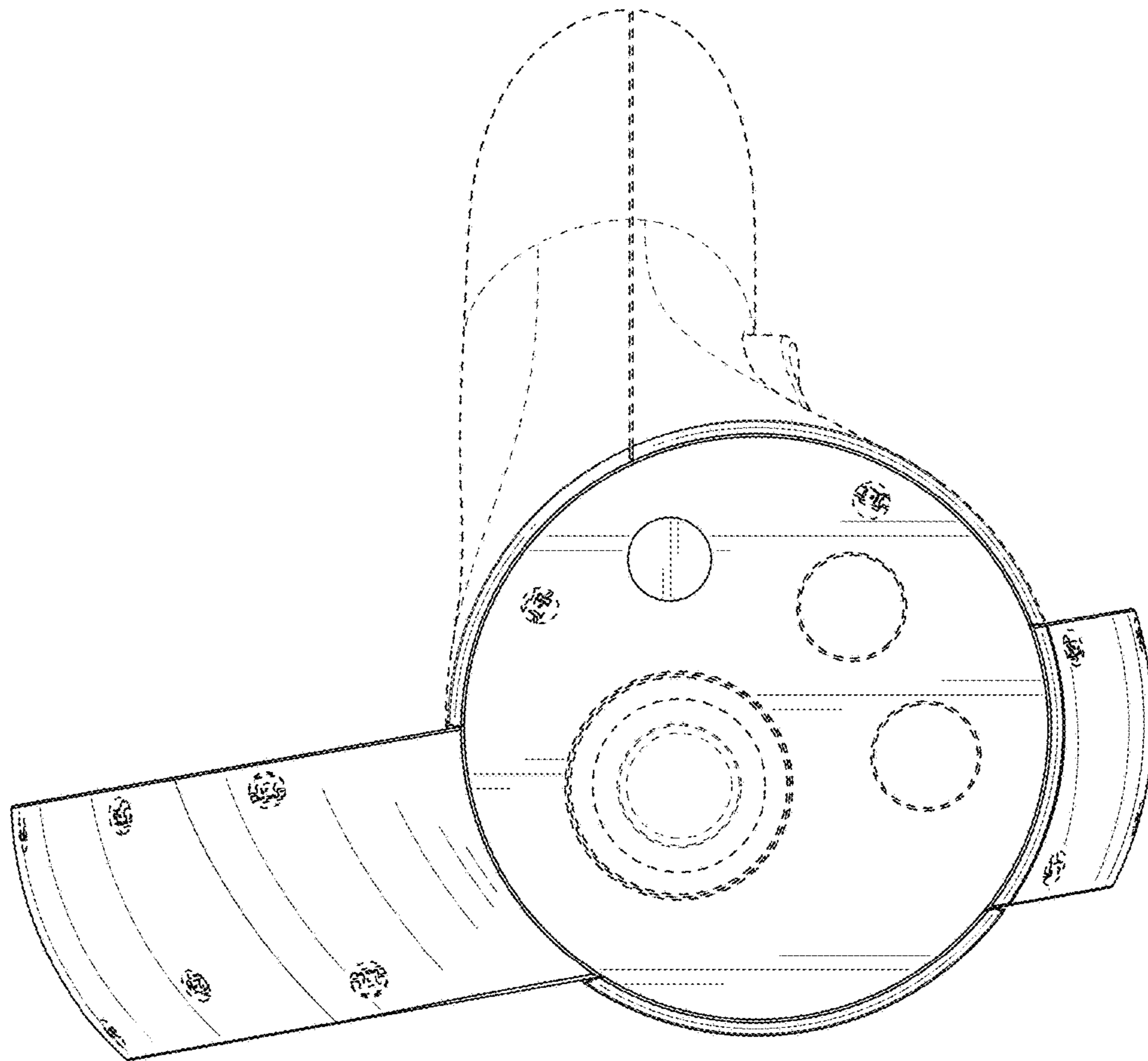


Fig. 6



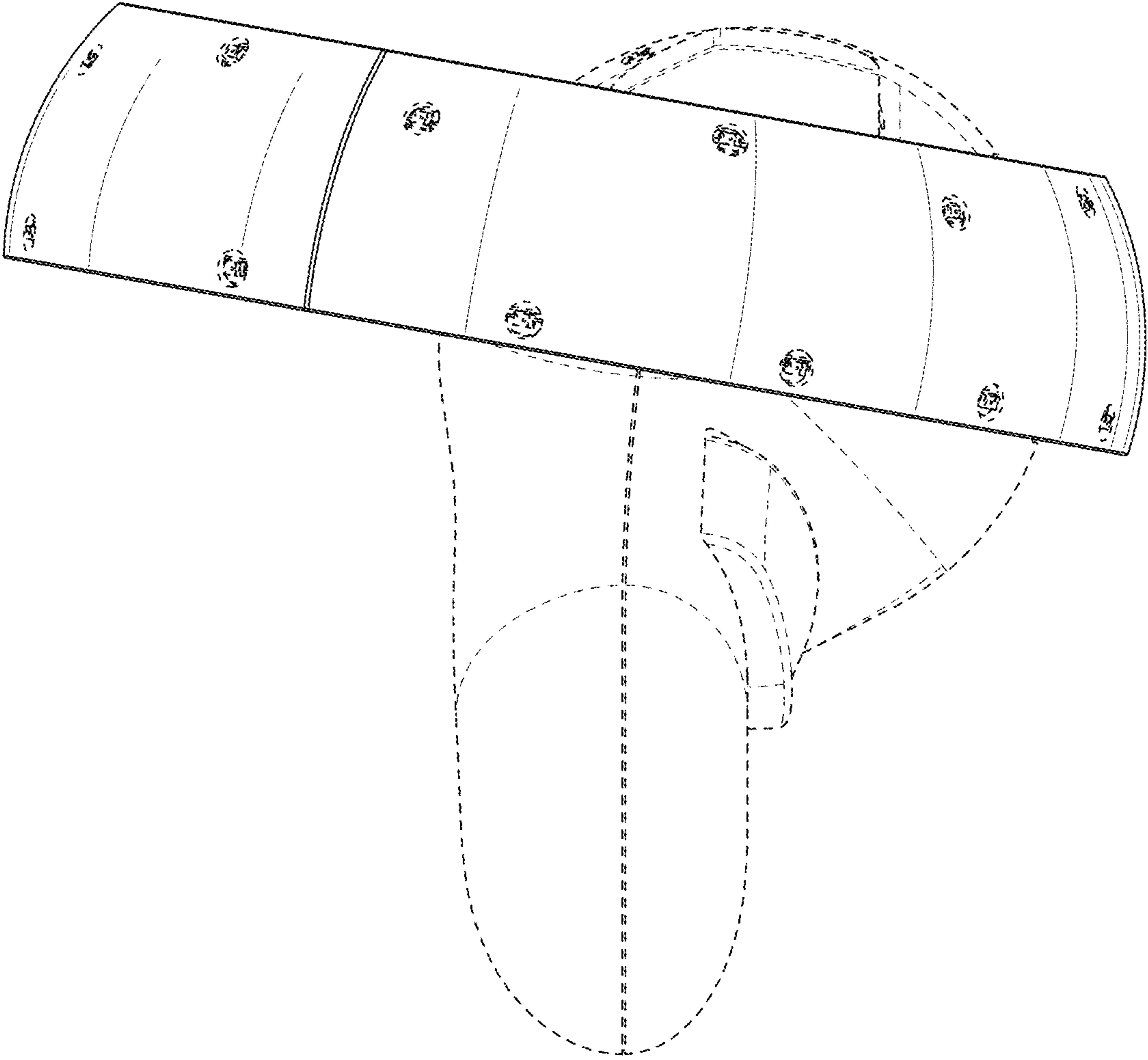


Fig. 7