

US00D802054S

(12) **United States Design Patent** (10) **Patent No.:** **US D802,054 S**  
**McPhillips** (45) **Date of Patent:** **\*\* Nov. 7, 2017**

(54) **SUPPORT CONNECTOR**

**DESCRIPTION**

(71) Applicant: **Atomic Design Inc.**, Lititz, PA (US)  
(72) Inventor: **Thomas McPhillips**, Manheim, PA (US)  
(73) Assignee: **Atomic Design Inc.**, Lititz, PA (US)  
(\*\*) Term: **15 Years**  
(21) Appl. No.: **29/530,690**  
(22) Filed: **Jun. 18, 2015**  
(51) **LOC (10) Cl.** ..... **20-99**  
(52) **U.S. Cl.**  
USPC ..... **D20/99**  
(58) **Field of Classification Search**  
USPC ..... D20/10, 19, 43, 99; D8/349  
(Continued)

(56) **References Cited**

**U.S. PATENT DOCUMENTS**

1,525,515 A 2/1925 Socha  
2,692,689 A 10/1954 Wynne, Sr.  
(Continued)

**FOREIGN PATENT DOCUMENTS**

AU 2012261483 A1 6/2013  
CA 1263233 A1 11/1989  
(Continued)

**OTHER PUBLICATIONS**

Installation Instructions for Pillow Wall, by Atomic, www.atomicrental.tv, (717-626-4408), dated Nov. 25, 2013, 1 page.  
(Continued)

*Primary Examiner* — Mary Ann Calabrese  
(74) *Attorney, Agent, or Firm* — Barley Snyder

(57) **CLAIM**

The ornamental design for a support connector, as shown and described.

FIG. 1 is a top, rear and right side perspective view of a support connector, showing the new design, in its assembled configuration;  
FIG. 2 is a top, rear and left side perspective view thereof;  
FIG. 3 is a top plan view thereof;  
FIG. 4 is a bottom plan view thereof;  
FIG. 5 is a right side elevation view thereof;  
FIG. 6 is a left side elevation view thereof;  
FIG. 7 is a rear elevation view thereof;  
FIG. 8 is a front elevation view thereof;  
FIG. 9 is a bottom, rear and left side perspective view thereof;  
FIG. 10 is a bottom, rear and right side perspective view thereof;  
FIG. 11 is a top, rear and right side perspective view of the first component of the support connector, shown separated for clarity of disclosure;  
FIG. 12 is a top, rear and left side perspective view of the first component;  
FIG. 13 is a top plan view of the first component;  
FIG. 14 is a bottom plan view of the first component;  
FIG. 15 is a right side elevation view of the first component;  
FIG. 16 is a left side elevation view of the first component;  
FIG. 17 is a rear elevation view of the first component;  
FIG. 18 is a front elevation view of the first component;  
FIG. 19 is a bottom, rear and left side perspective view of the first component;  
FIG. 20 is a bottom, rear and right side perspective view of the first component;  
FIG. 21 is a top, rear and right side perspective view of the second component of the support connector, shown separated for clarity of disclosure;  
FIG. 22 is a top, rear and left side perspective view of the second component;  
FIG. 23 is a top plan view of the second component;  
FIG. 24 is a bottom plan view of the second component;  
FIG. 25 is a right side elevation view of the second component;  
FIG. 26 is a left side elevation view of the second component;  
FIG. 27 is a rear elevation view of the second component;  
FIG. 28 is a front elevation view of the second component;

(Continued)

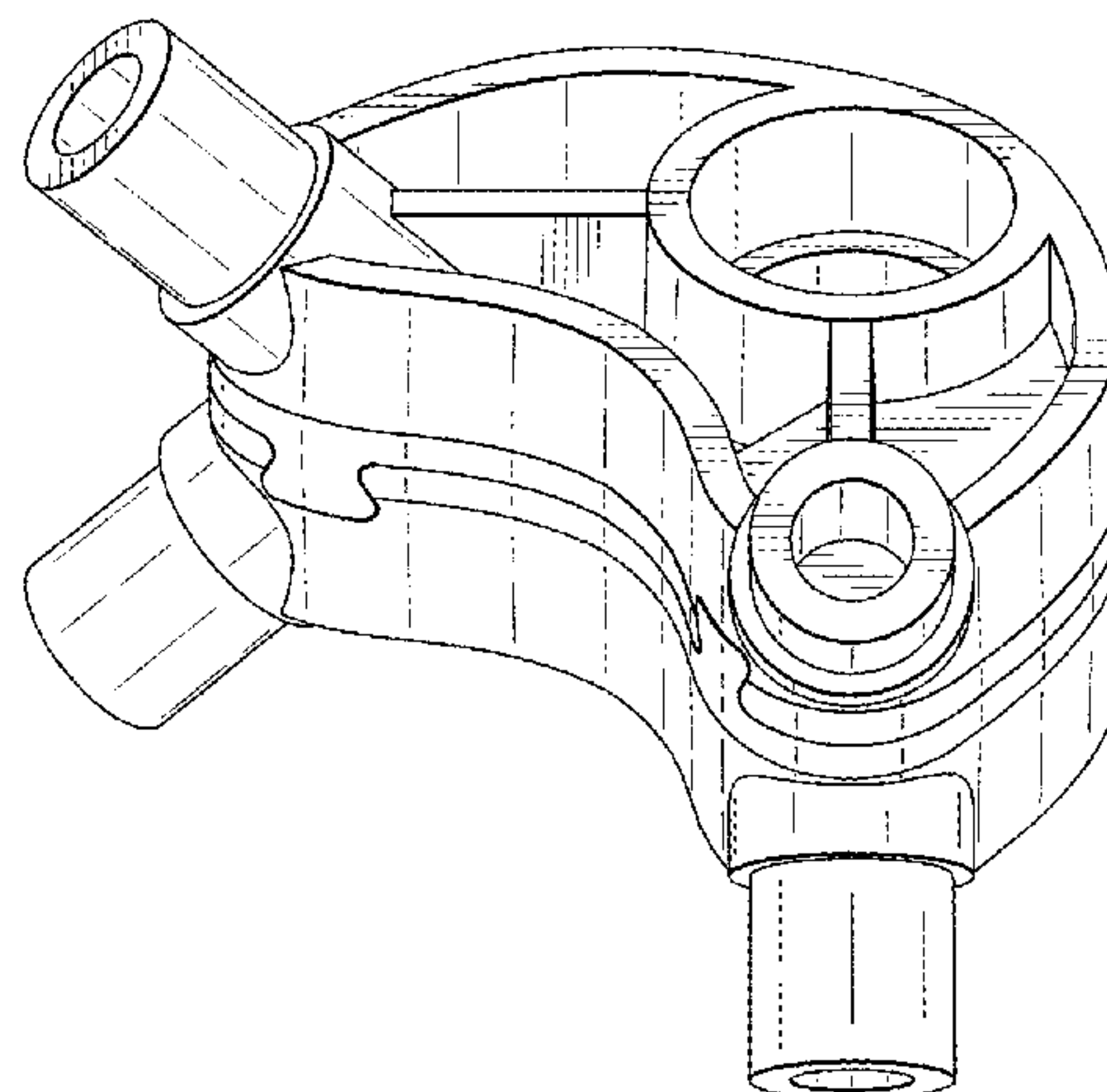


FIG. 29 is a bottom, rear and left side perspective view of the second component; and, FIG. 30 is a bottom, rear and right side perspective view of the second component. The dashed lines in Figures represent environment for illustrative purposes and do not constitute part of the claimed design.

**1 Claim, 15 Drawing Sheets**

(58) **Field of Classification Search**

CPC . G09F 3/0395; G09F 7/18; G09F 7/20; G09F 2007/1847; G09F 2007/1856; G09F 2007/1873; G09F 2007/1891; A47B 11/00; A47F 5/10; A47F 5/0823; A45B 25/12; F16M 11/10

See application file for complete search history.

(56) **References Cited**

U.S. PATENT DOCUMENTS

2,970,396	A	2/1961	Worrell	
3,426,913	A	2/1969	Abatiell, Jr.	
3,537,199	A	11/1970	Lawson	
3,571,999	A	3/1971	Downing	
3,593,474	A	7/1971	Neels	
3,596,701	A	8/1971	Cowan	
3,936,111	A	2/1976	Mazzucconi	
4,001,987	A	1/1977	Coulthard	
4,114,160	A	9/1978	Verini	
4,807,837	A	2/1989	Gawlik et al.	
5,036,641	A	8/1991	Viry	
5,061,018	A	10/1991	Pederson et al.	
5,320,322	A *	6/1994	Williams	..... G09F 7/18 116/173
5,344,115	A	9/1994	Mayne	
5,374,024	A *	12/1994	Williams	..... G09F 7/18 116/173
5,478,041	A	12/1995	Mayne	
5,671,852	A	9/1997	Maharg	
5,722,477	A	3/1998	Richter et al.	
5,993,287	A	11/1999	Melashenko et al.	
6,340,046	B1	1/2002	Basseches	
6,370,803	B1	4/2002	Burquest	
6,419,332	B1	7/2002	Caldwell, Jr. et al.	
6,698,124	B2 *	3/2004	Kump	..... A47F 5/0823 248/220.41
6,702,640	B1	3/2004	Park	
6,718,709	B2	4/2004	Koutras et al.	
6,758,454	B2 *	7/2004	Smed	..... F16M 11/10 248/278.1

6,789,774	B2 *	9/2004	Painchaud	..... A45B 25/12 248/229.14
6,983,853	B1	1/2006	Fickett	
D618,282	S	6/2010	Kosir	
7,874,090	B2	1/2011	Flagg	
D634,745	S	3/2011	Park et al.	
8,069,632	B2	12/2011	Li	
8,083,189	B2	12/2011	Sun et al.	
D708,504	S	7/2014	Kaplan	
D709,203	S	7/2014	Shikata	
D723,624	S	3/2015	McPhillips	
D736,858	S	8/2015	McPhillips	
D756,463	S *	5/2016	McPhillips	..... D20/42
2002/0036908	A1	3/2002	Pederson	
2002/0154789	A1	10/2002	Rodgers	
2003/0000904	A1	1/2003	Lung et al.	
2003/0192271	A1	10/2003	Koutras et al.	
2004/0035987	A1	2/2004	Oddsens, Jr.	
2004/0089782	A1	5/2004	Eliason et al.	
2007/0107853	A1	5/2007	Hsieh	
2009/0134285	A1	5/2009	Huang	
2009/0196034	A1	8/2009	Gherardini et al.	
2010/0083544	A1 *	4/2010	Shirley	..... G09F 1/10 40/584
2012/0169999	A1	7/2012	Cavendish et al.	
2014/0183309	A1	7/2014	Pasho	
2014/0197123	A1	7/2014	McPhillips	
2014/0197124	A1 *	7/2014	McPhillips	..... G09F 19/228 211/195
2016/0367050	A1 *	12/2016	McPhillips	..... G09F 15/0068

FOREIGN PATENT DOCUMENTS

DE	8517546.3	U1	1/1985
DE	29820223	U1	2/1999
DE	10138986	A	3/2003
DE	102011015351	A1	10/2012
EP	1995508	A2	11/2008
FR	2851442	A1	2/2003

OTHER PUBLICATIONS

PCT Notification, International Search Report and Written Opinion, International Application No. PCT/US2014/011055, dated Jun. 2, 2014, 10 pages.  
 PCT Notification, International Search Report, International Application No. PCT/US2014/061074, dated Feb. 25, 2015, 12 pages.  
 PCT Notification and International Preliminary Report on Patentability, Application No. PCT/US2014/011055, dated Jul. 14, 2015, 7 pages.  
 PCT Notification, International Search Report and Written Opinion of the International Search Authority, Intl. App. No. PCT/US2015/031782, dated Aug. 14, 2015, 11 pages.

\* cited by examiner



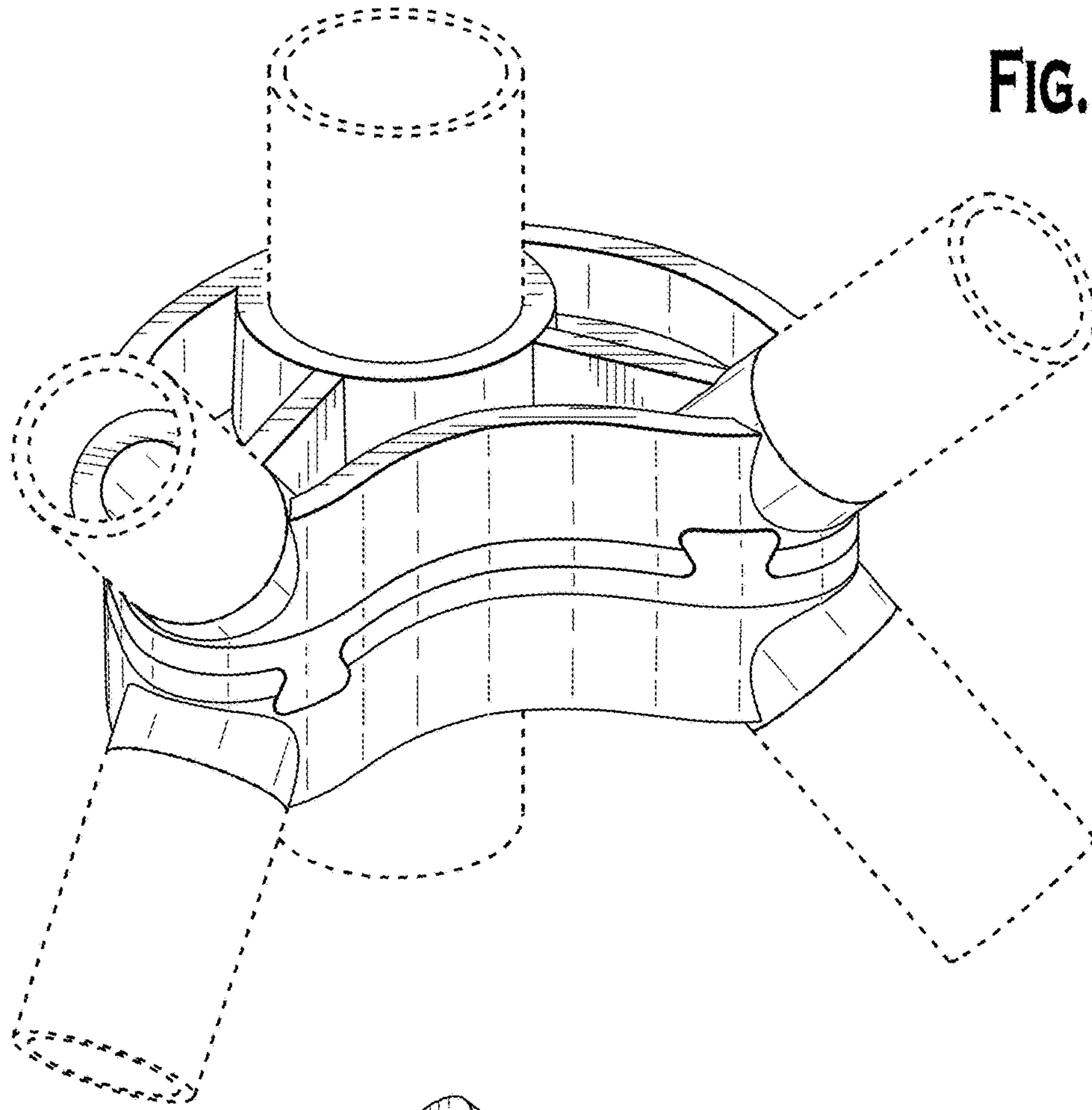


FIG. 1

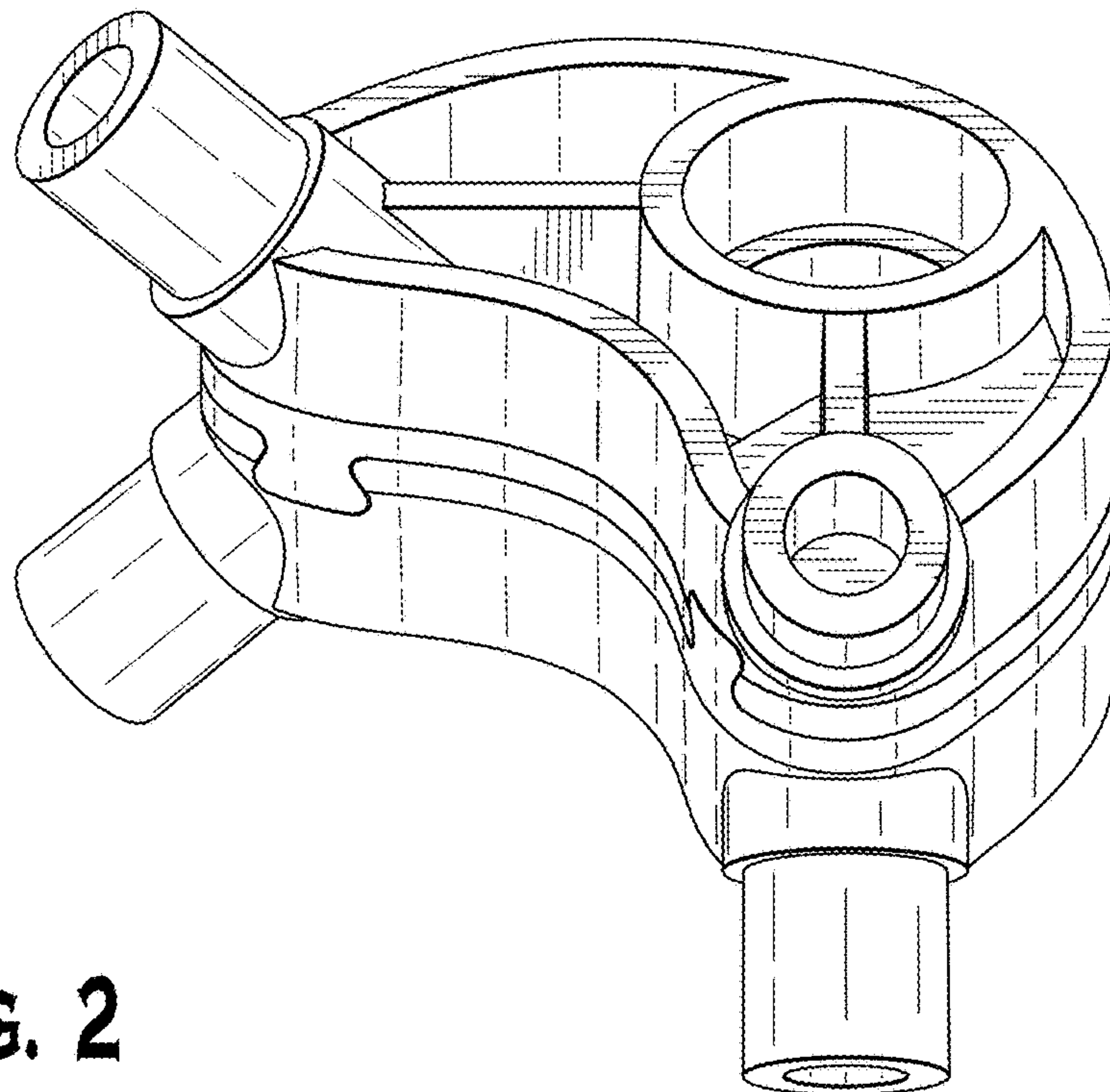
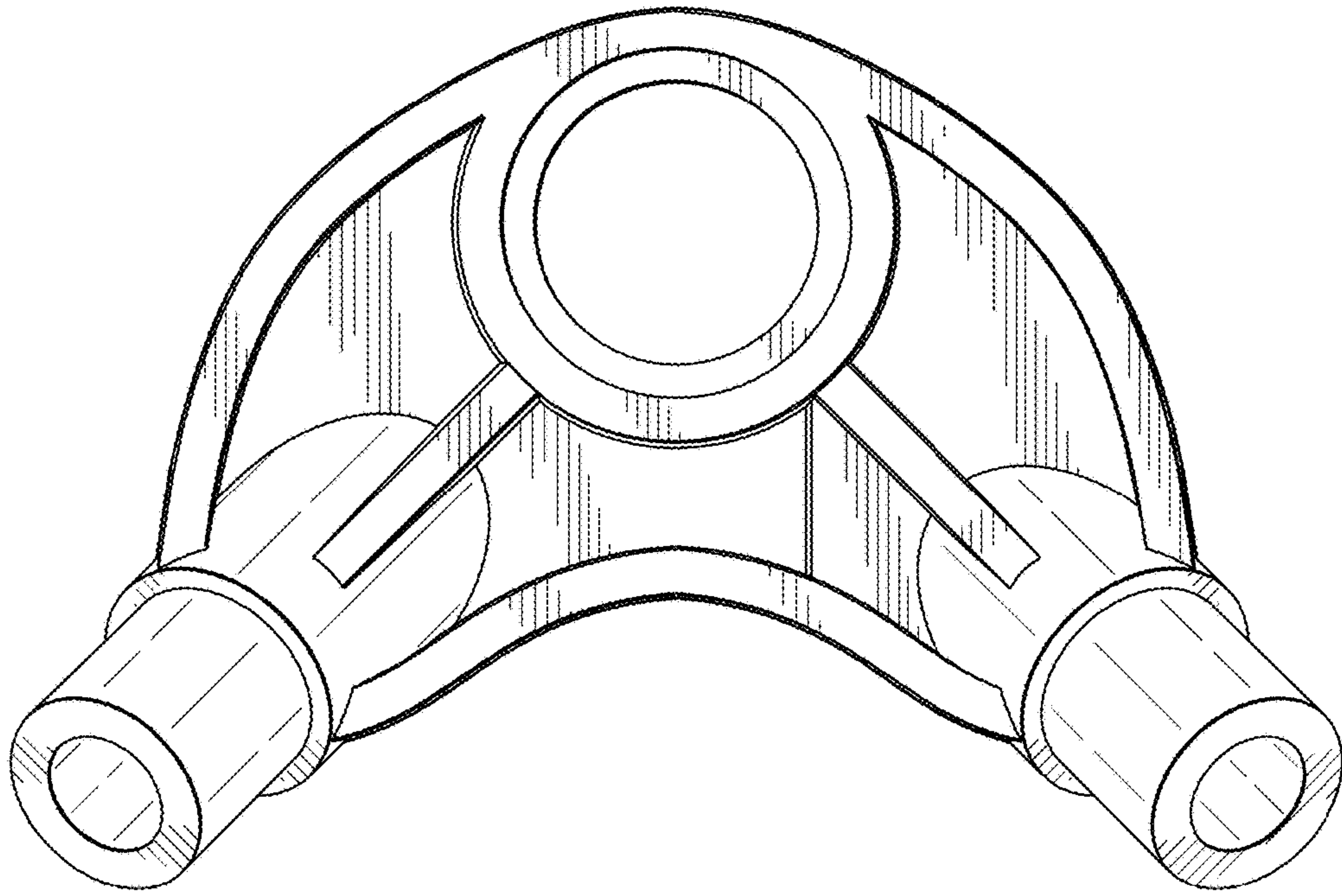
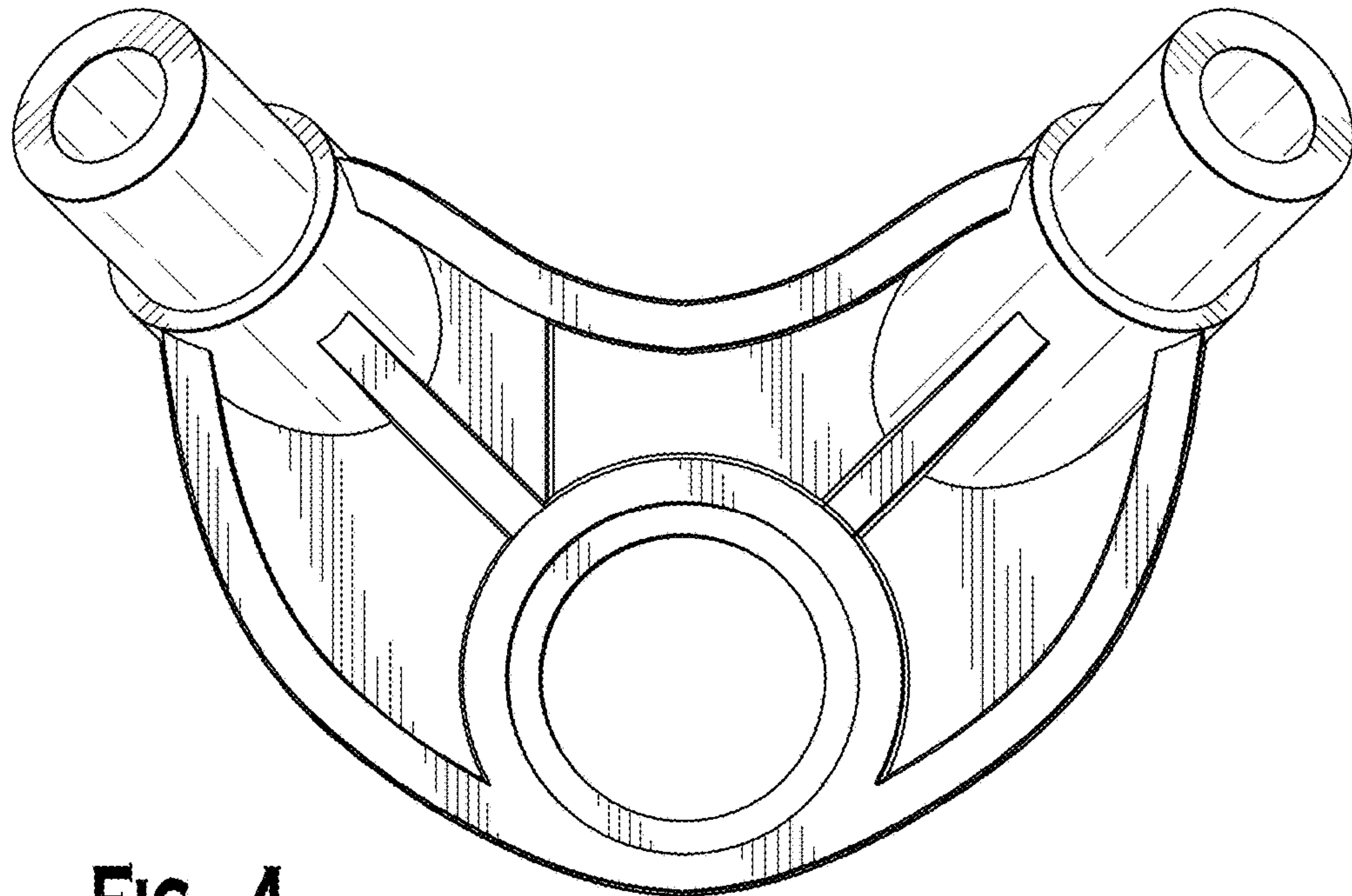


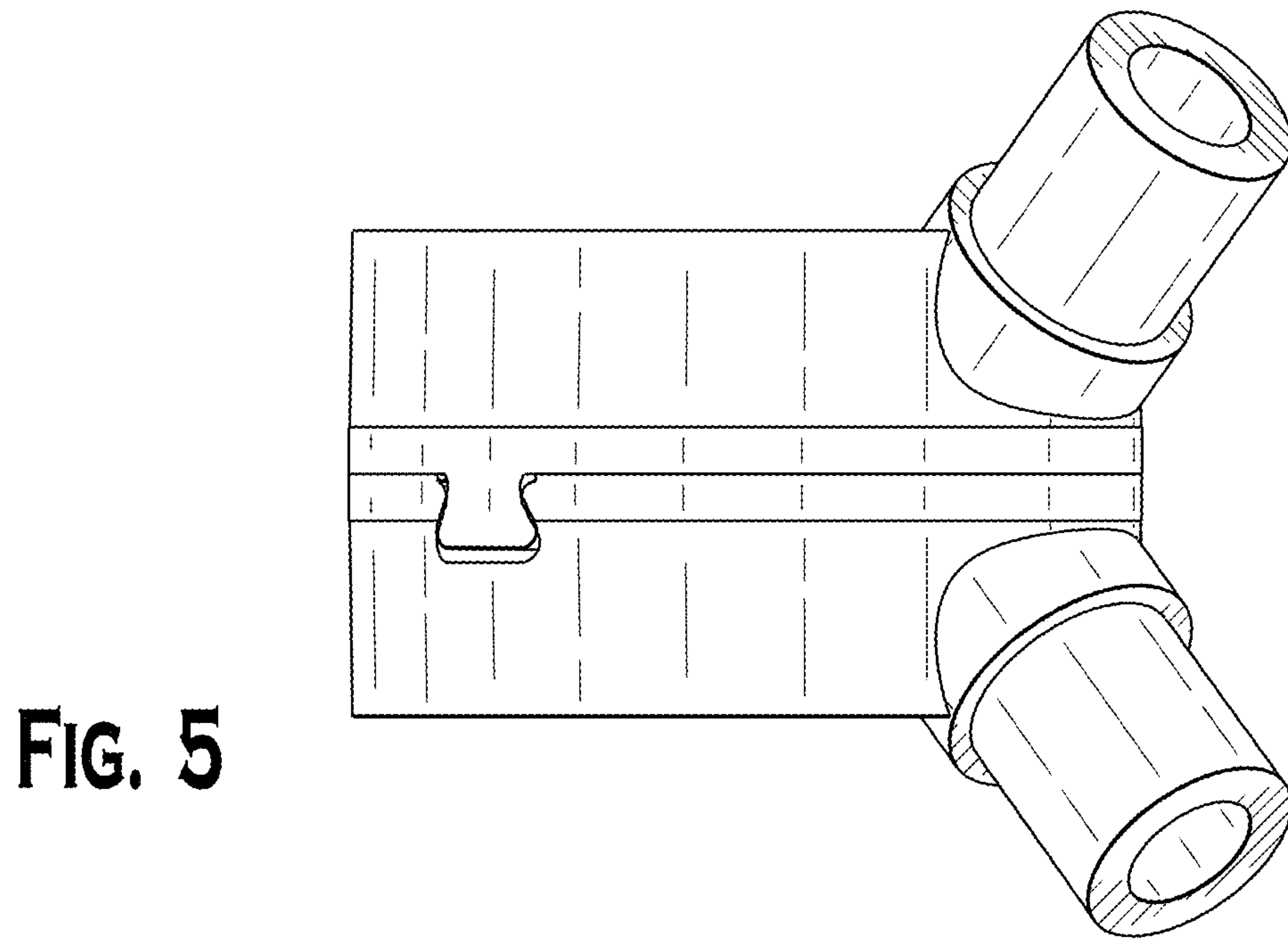
FIG. 2



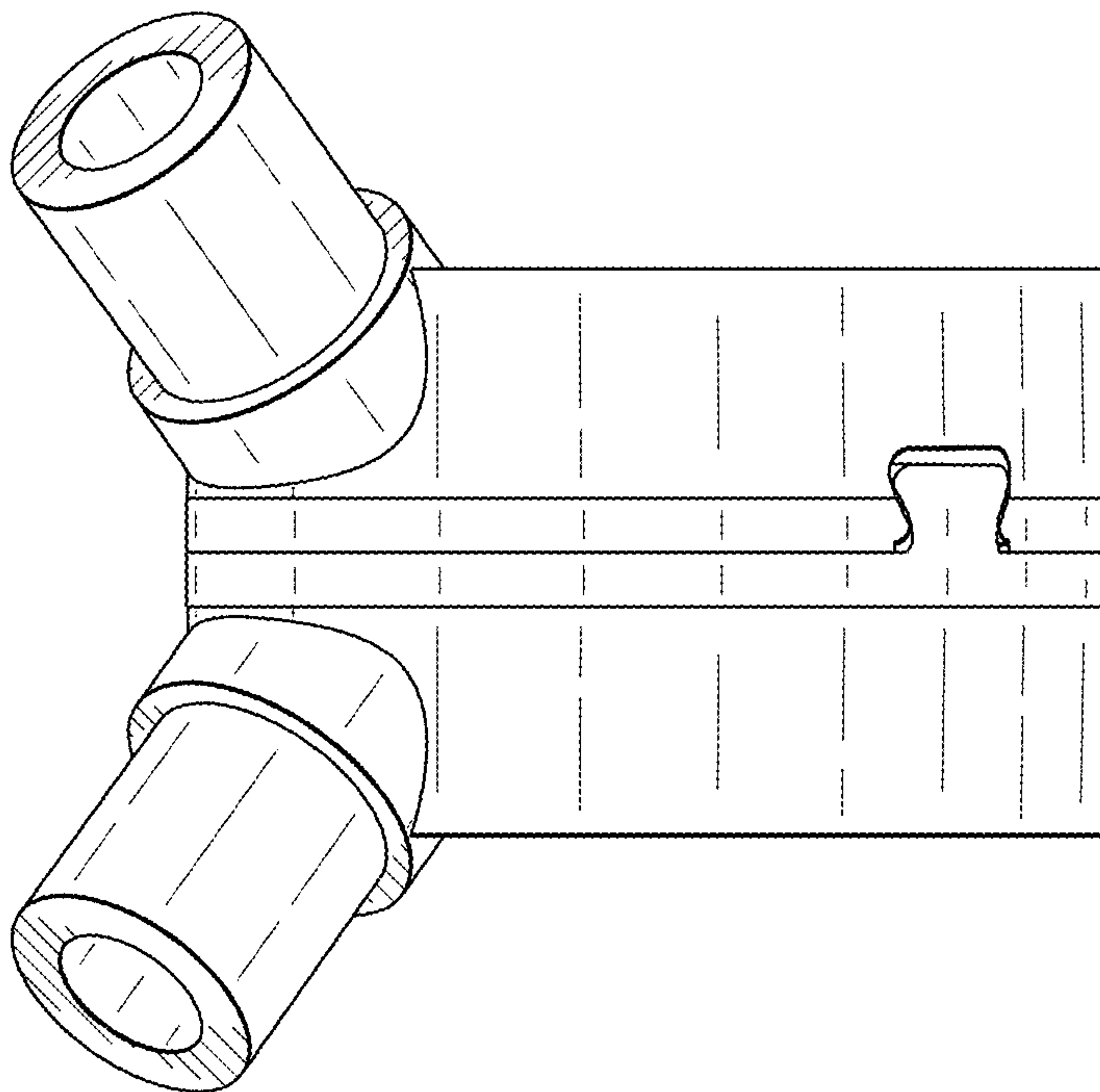
**FIG. 3**



**FIG. 4**



**FIG. 5**



**FIG. 6**

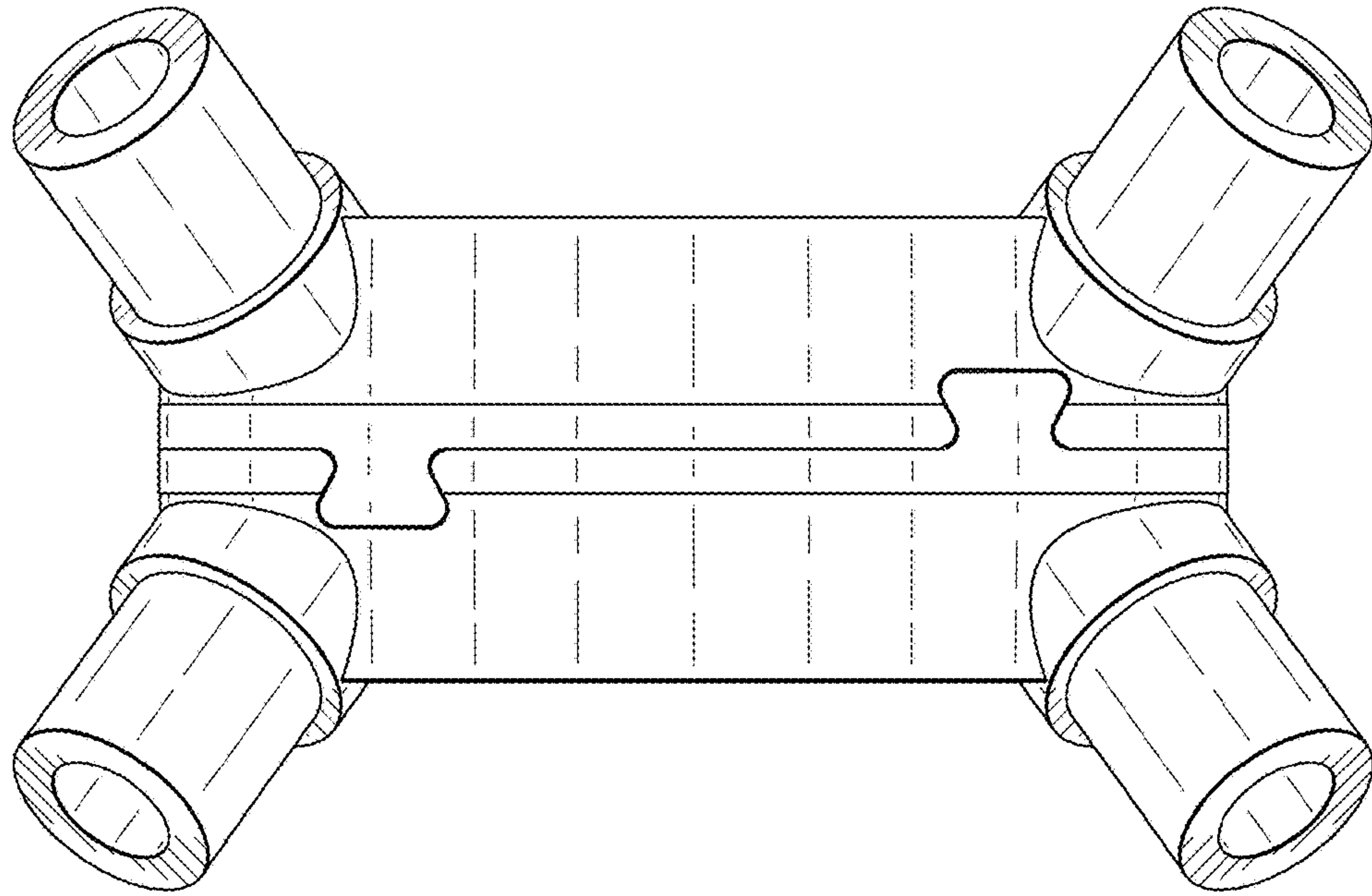


FIG. 7

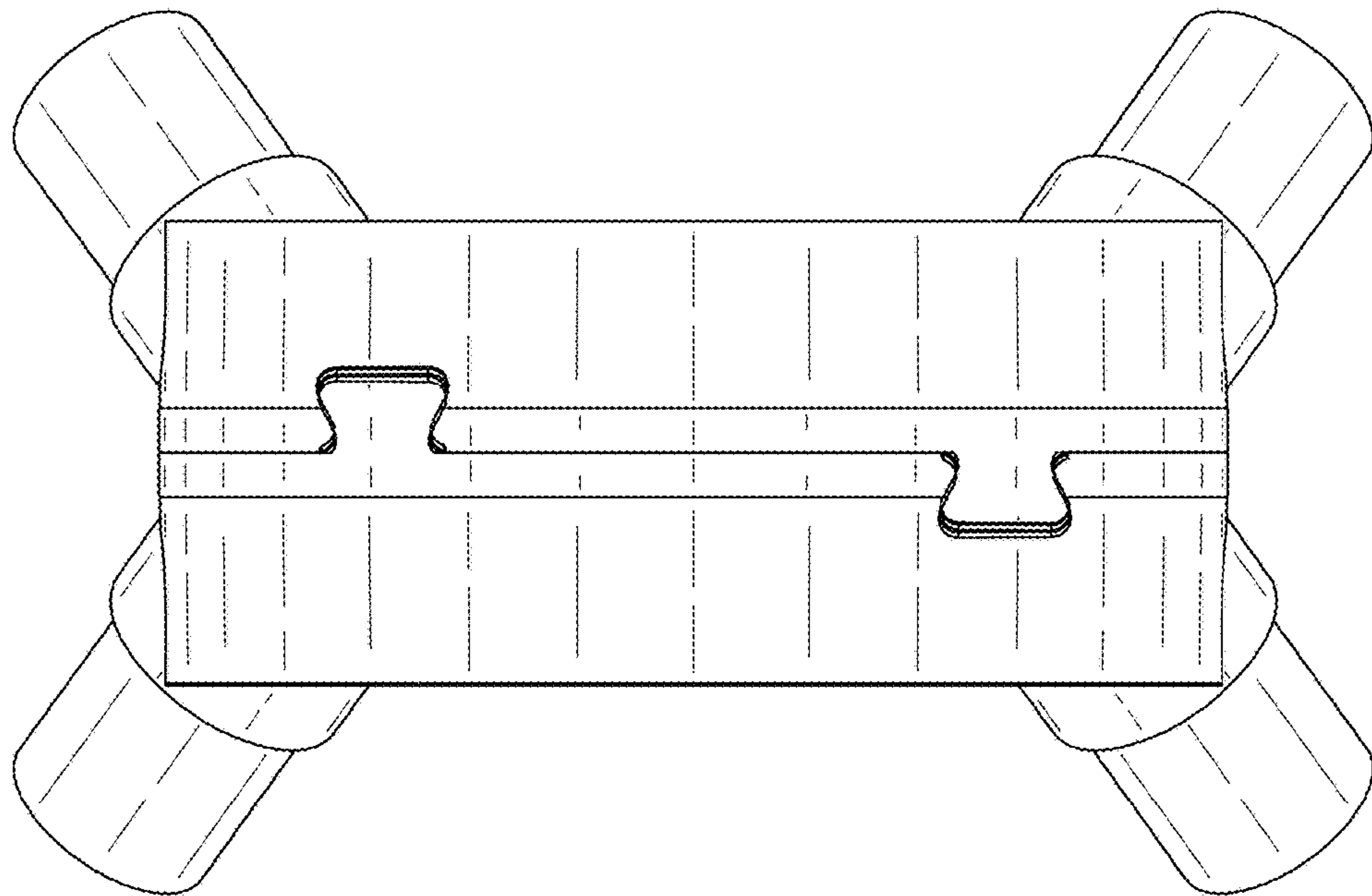
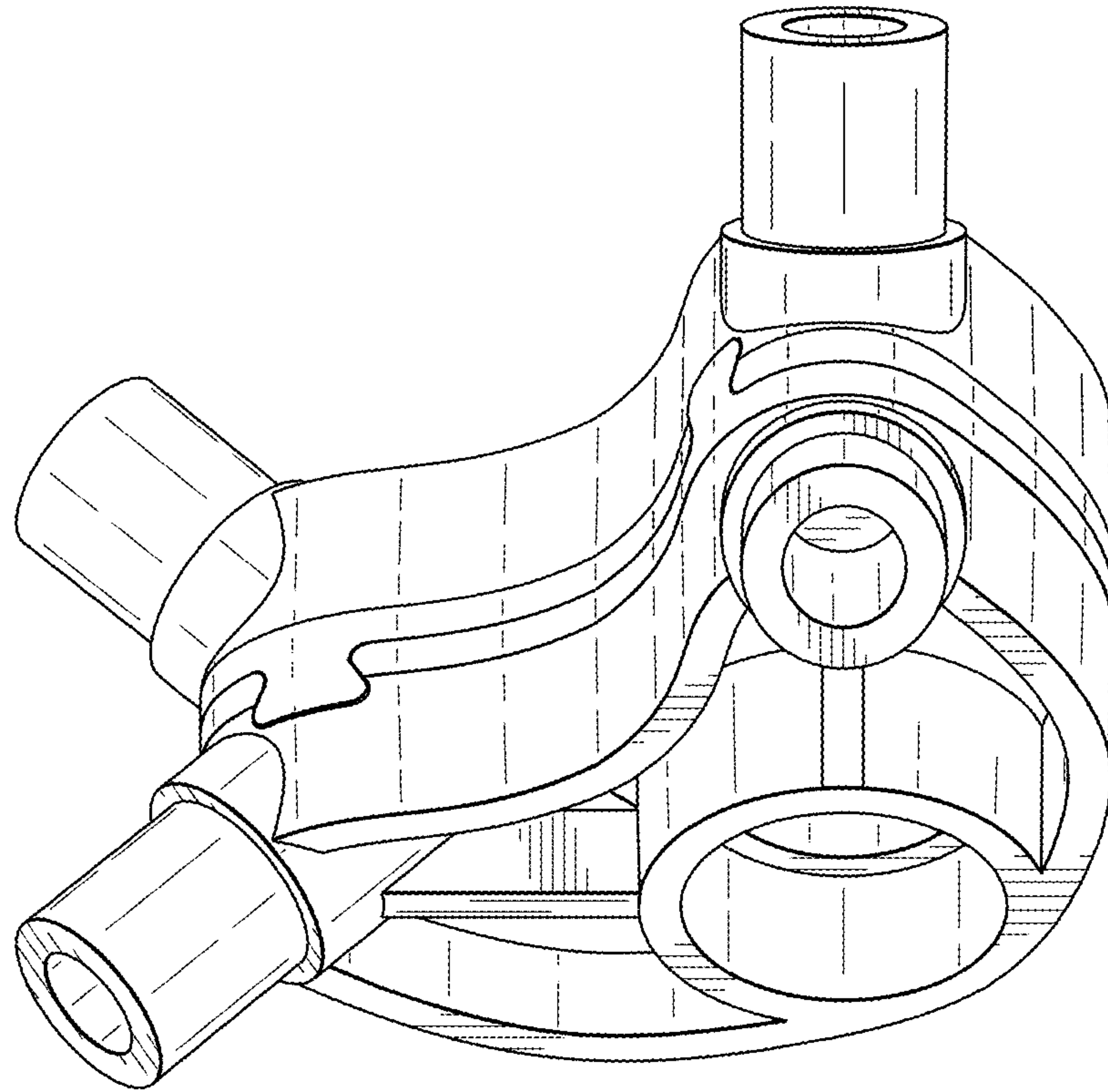
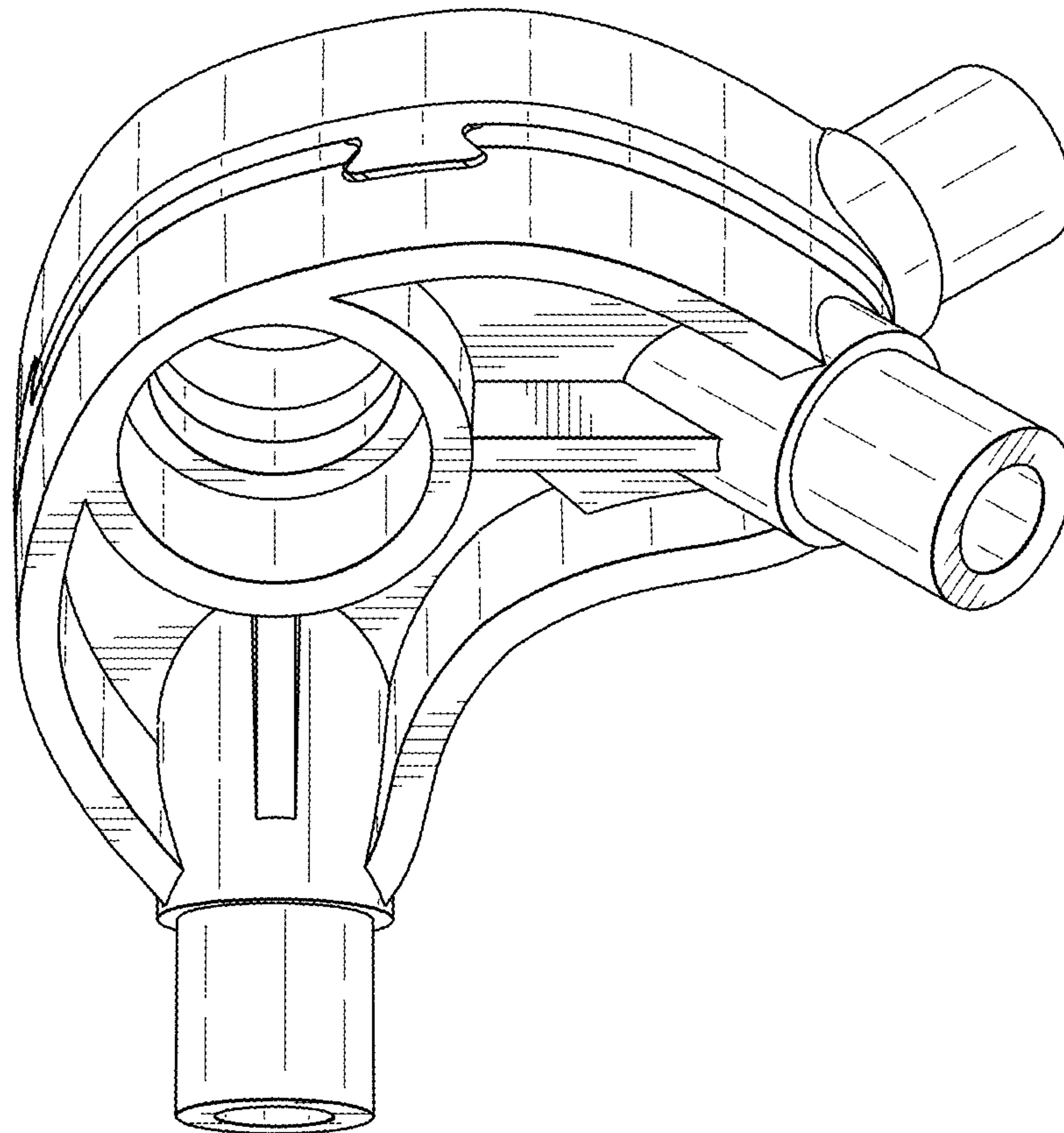


FIG. 8

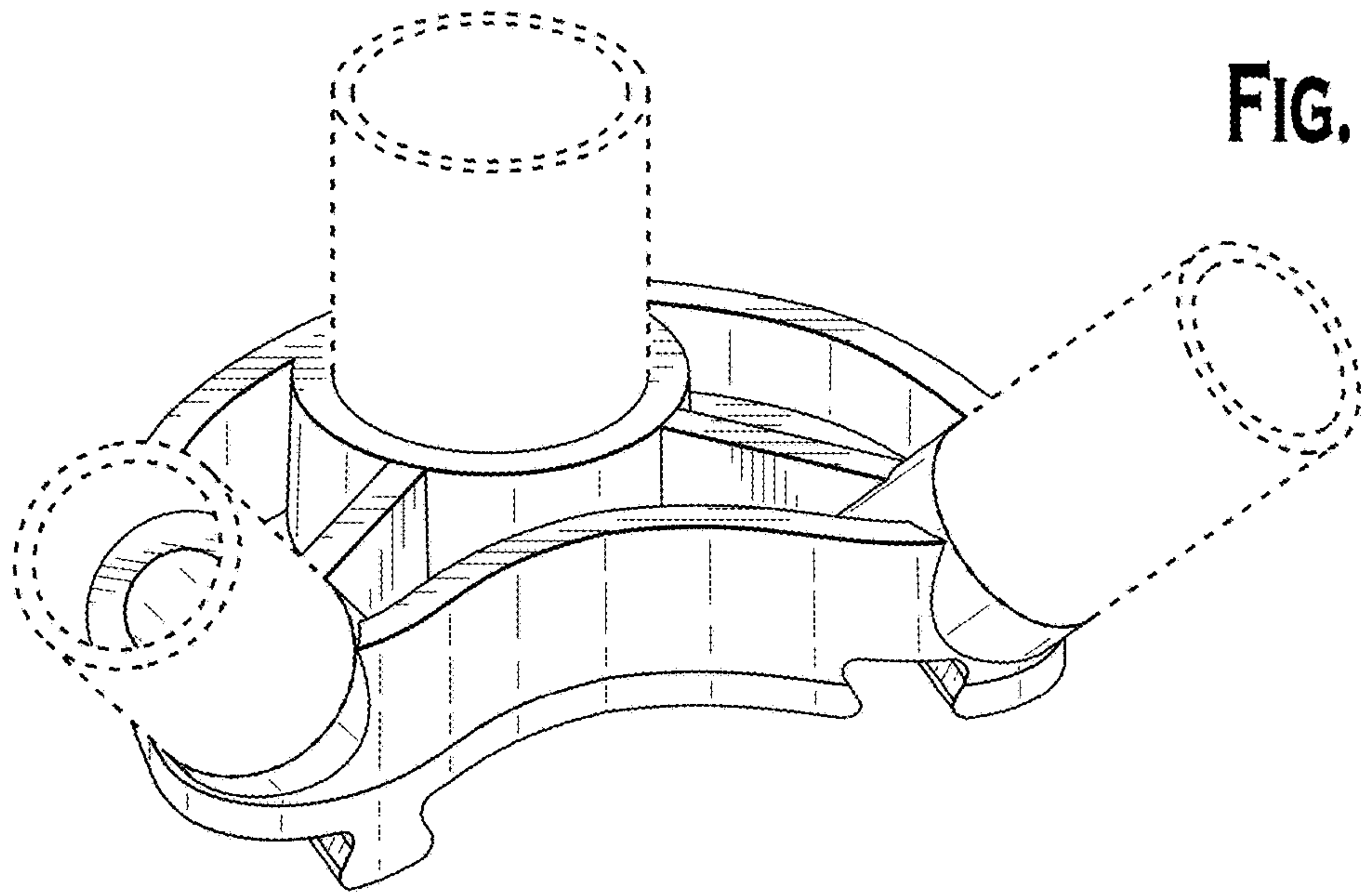




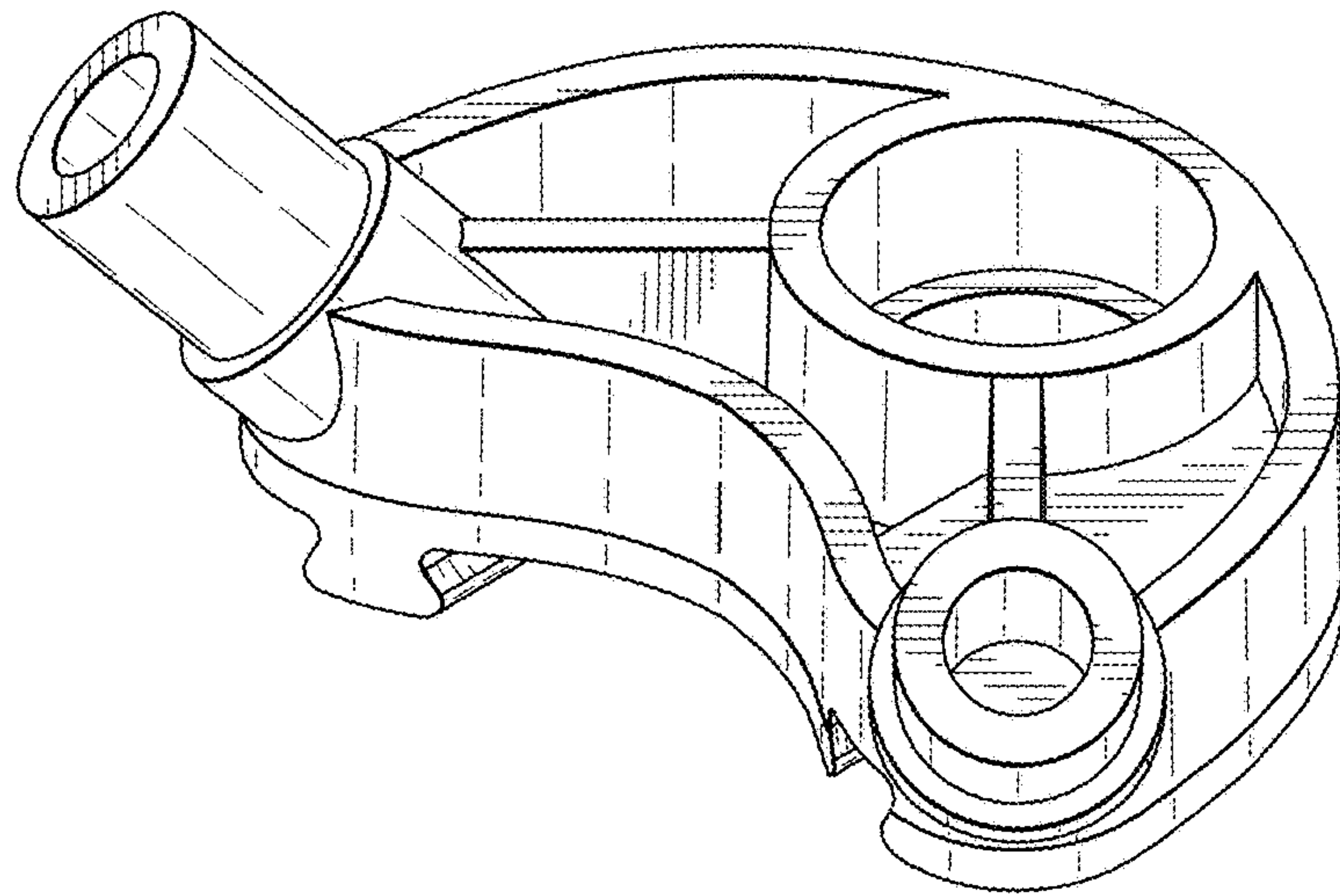
**FIG. 9**



**FIG. 10**

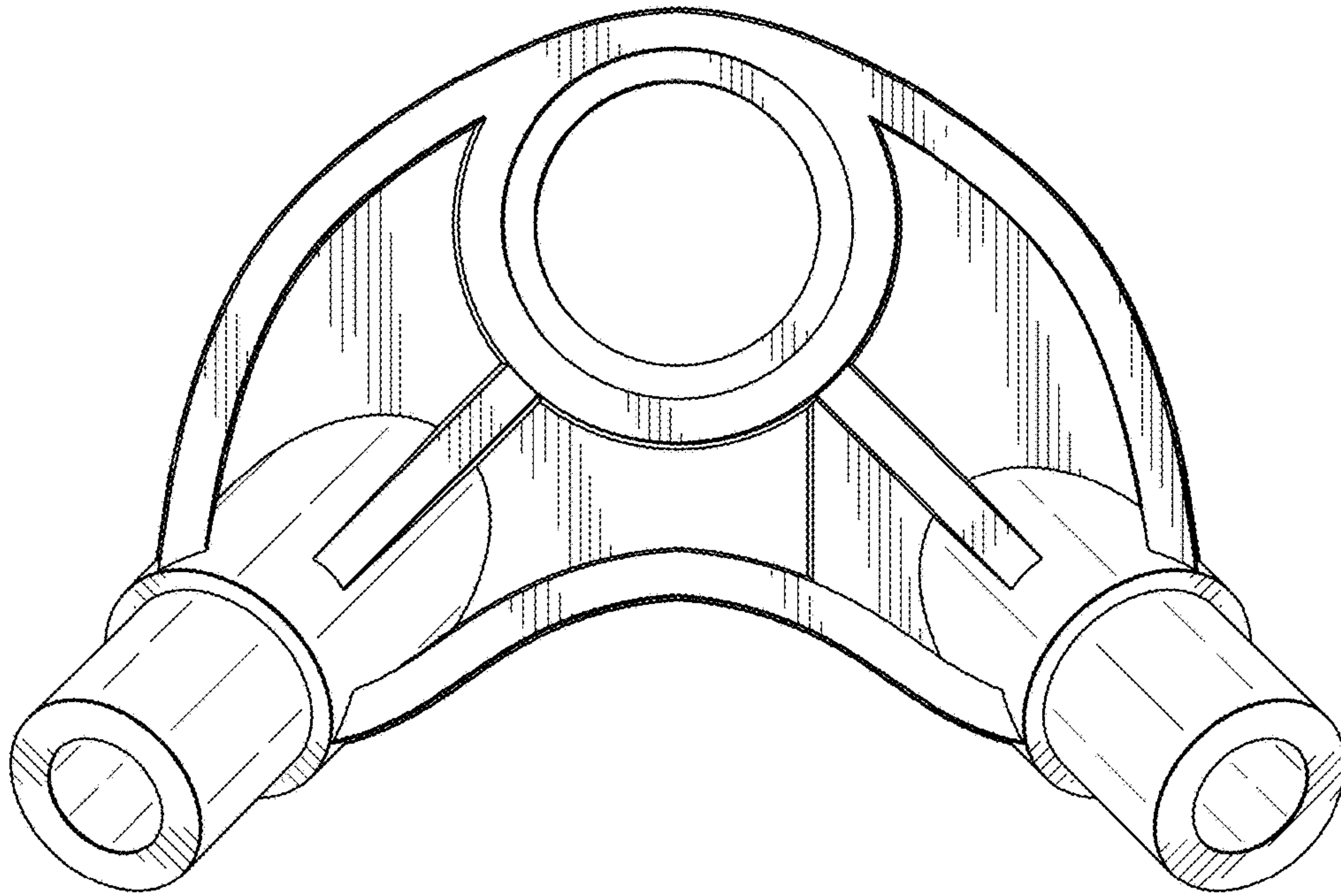


**FIG. 11**

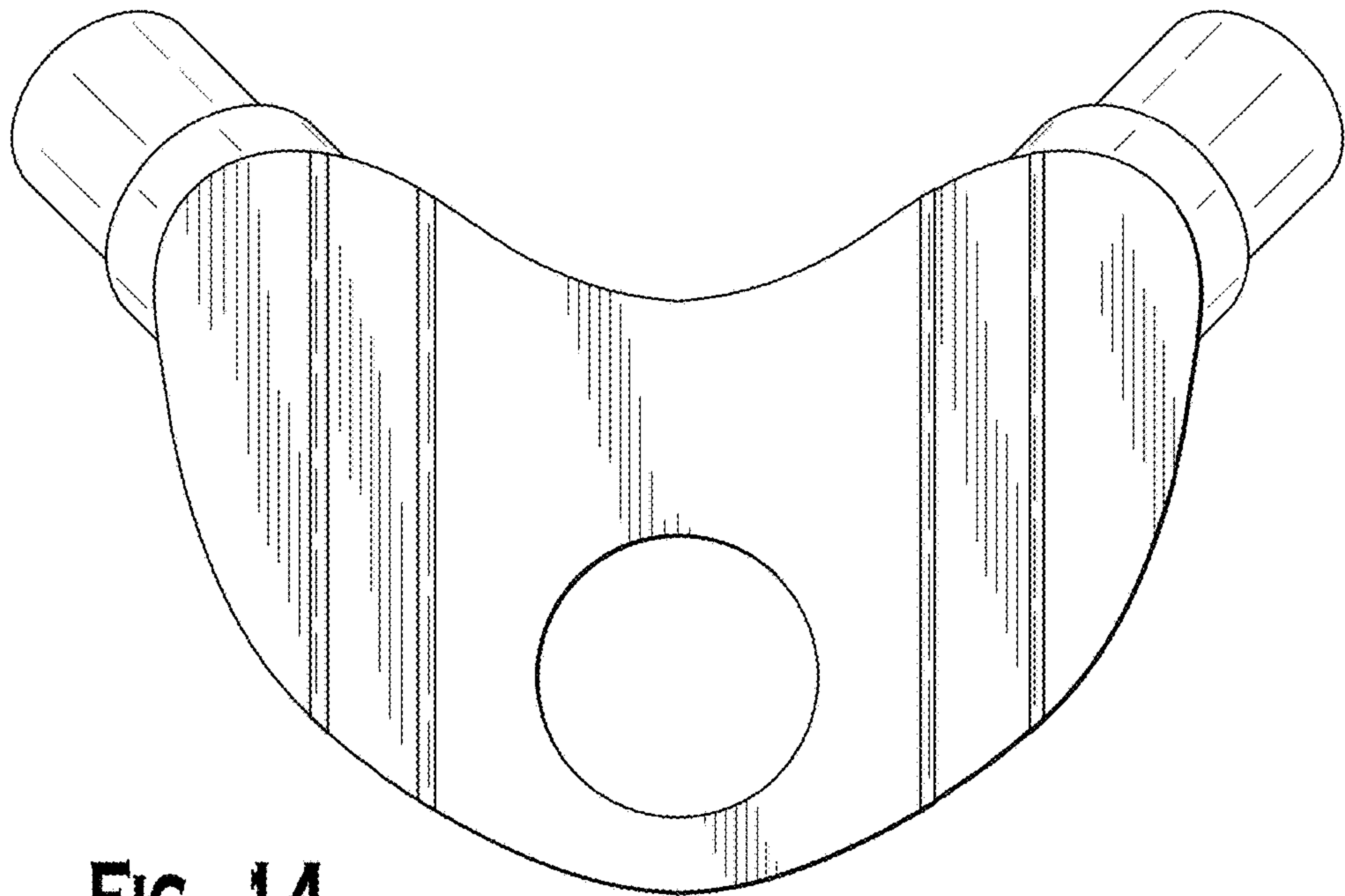


**FIG. 12**

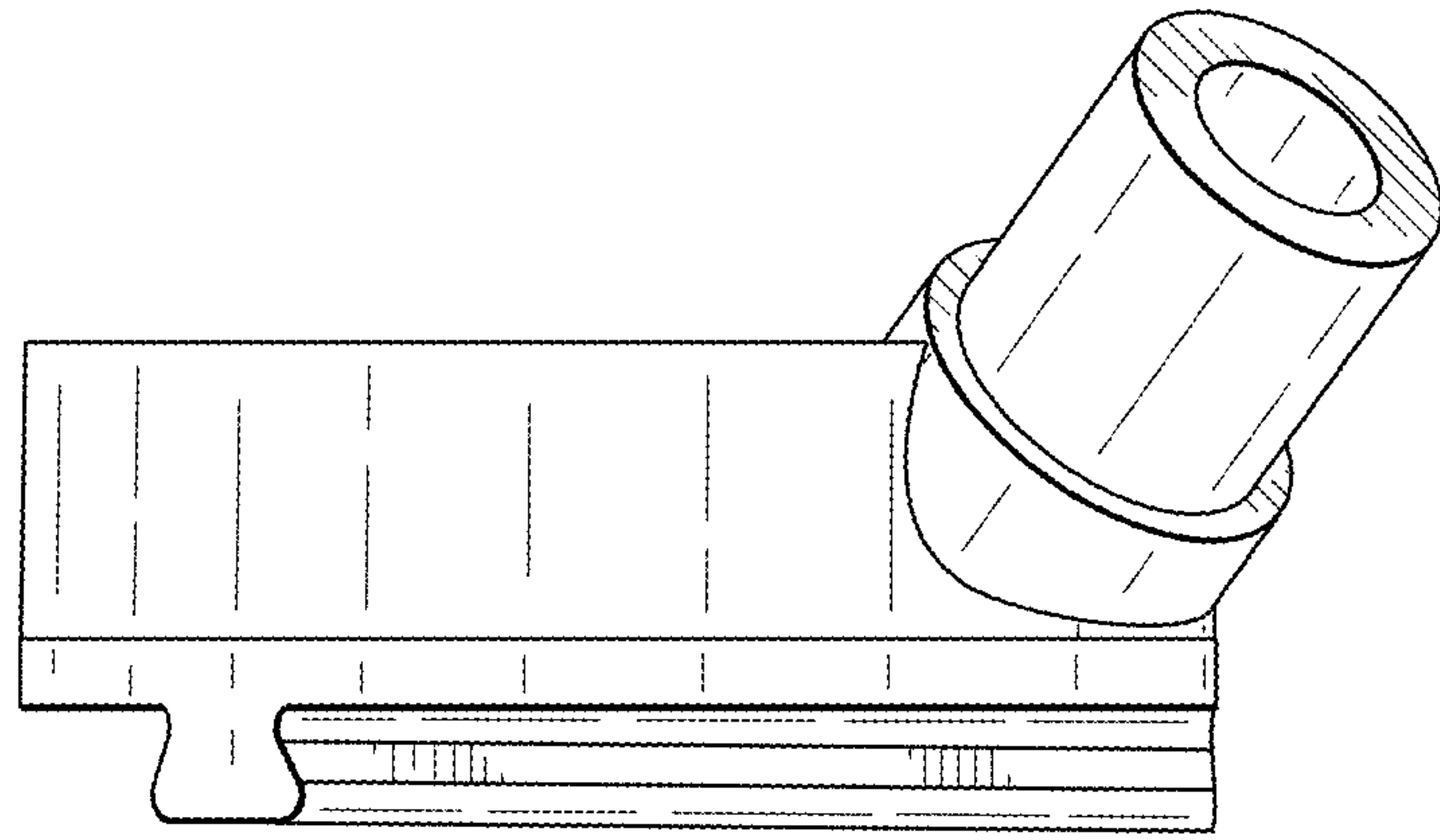




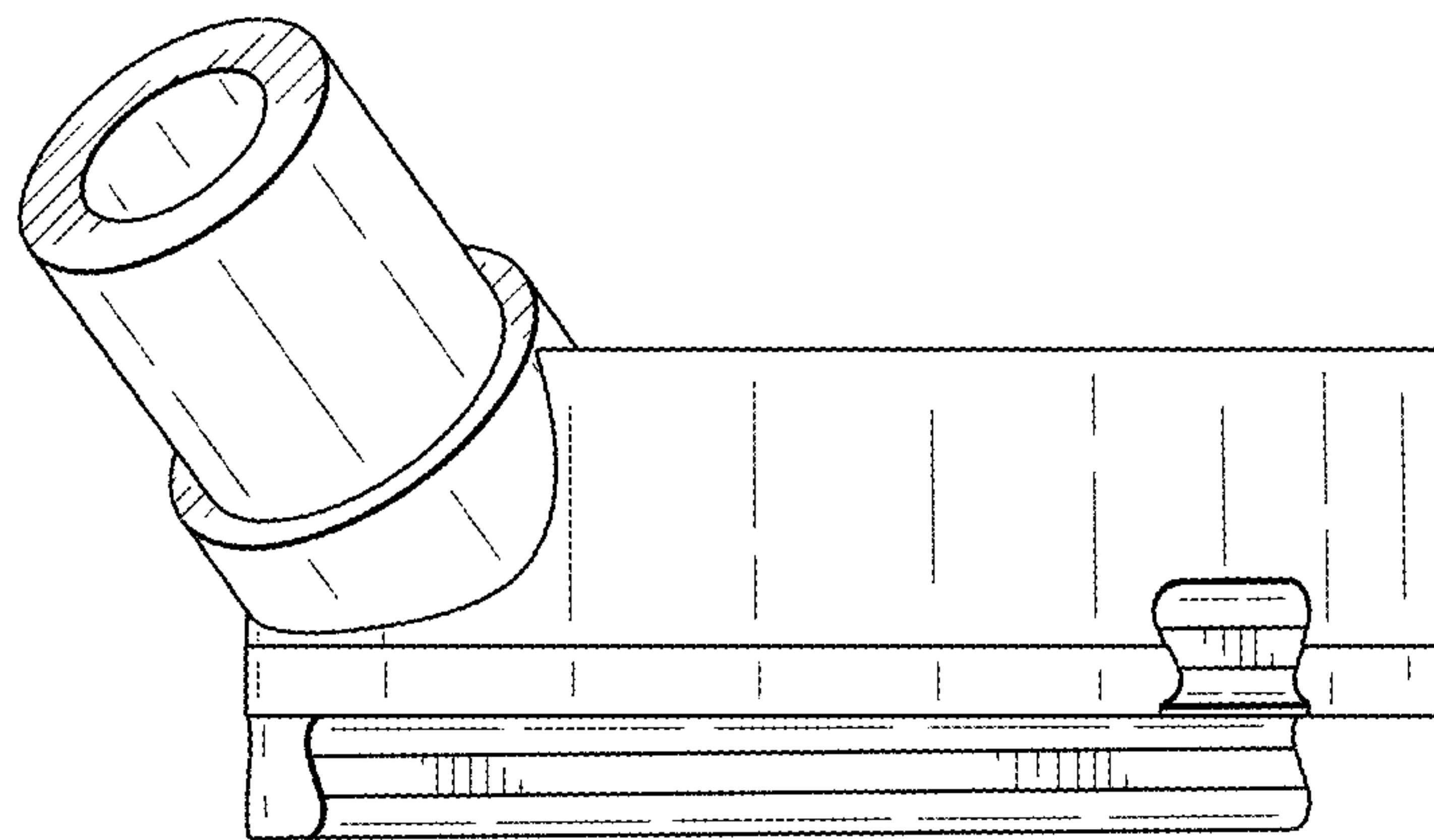
**FIG. 13**



**FIG. 14**



**FIG. 15**



**FIG. 16**

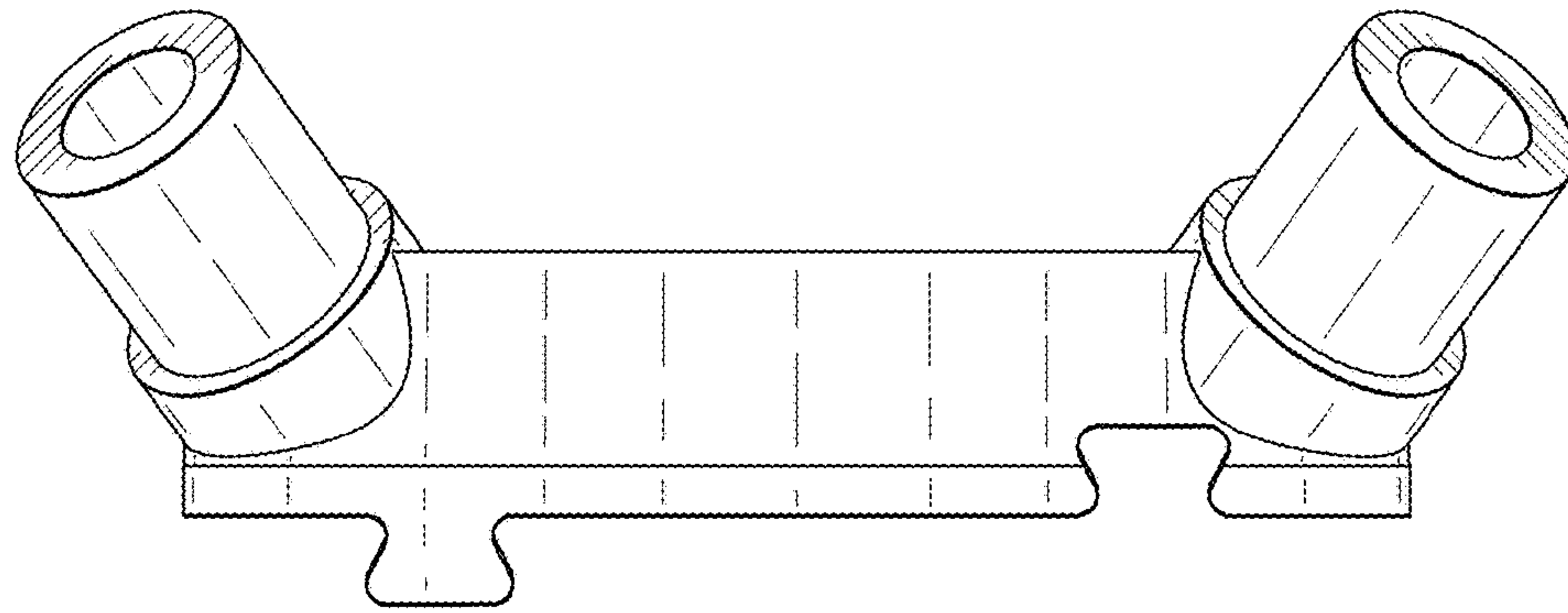


FIG. 17

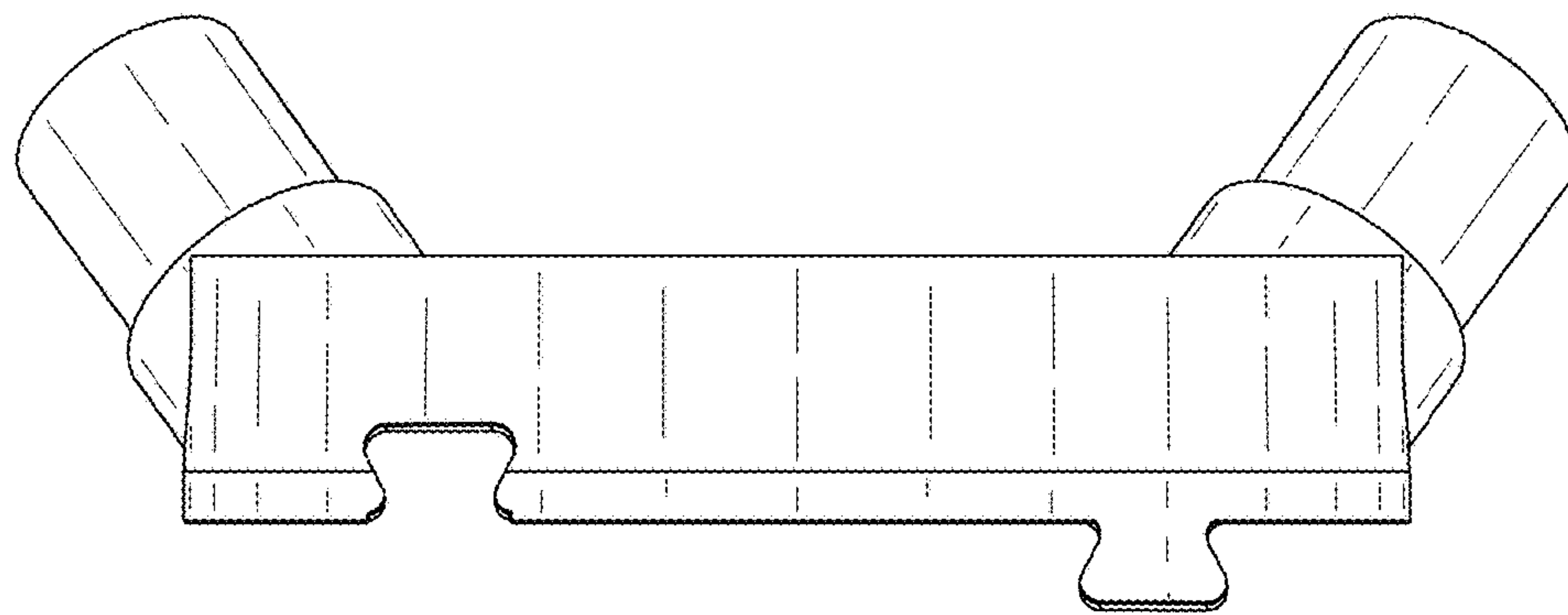
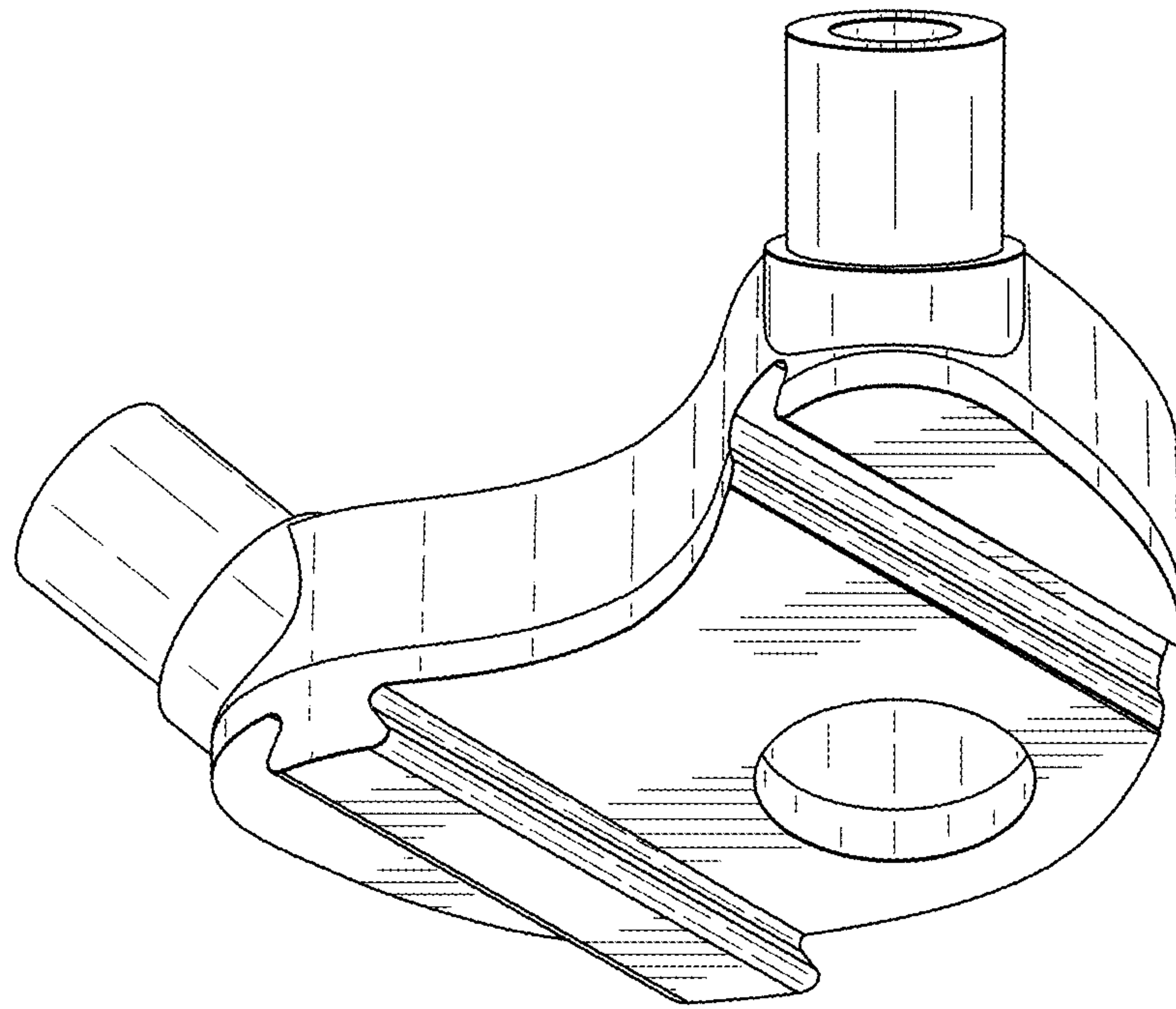
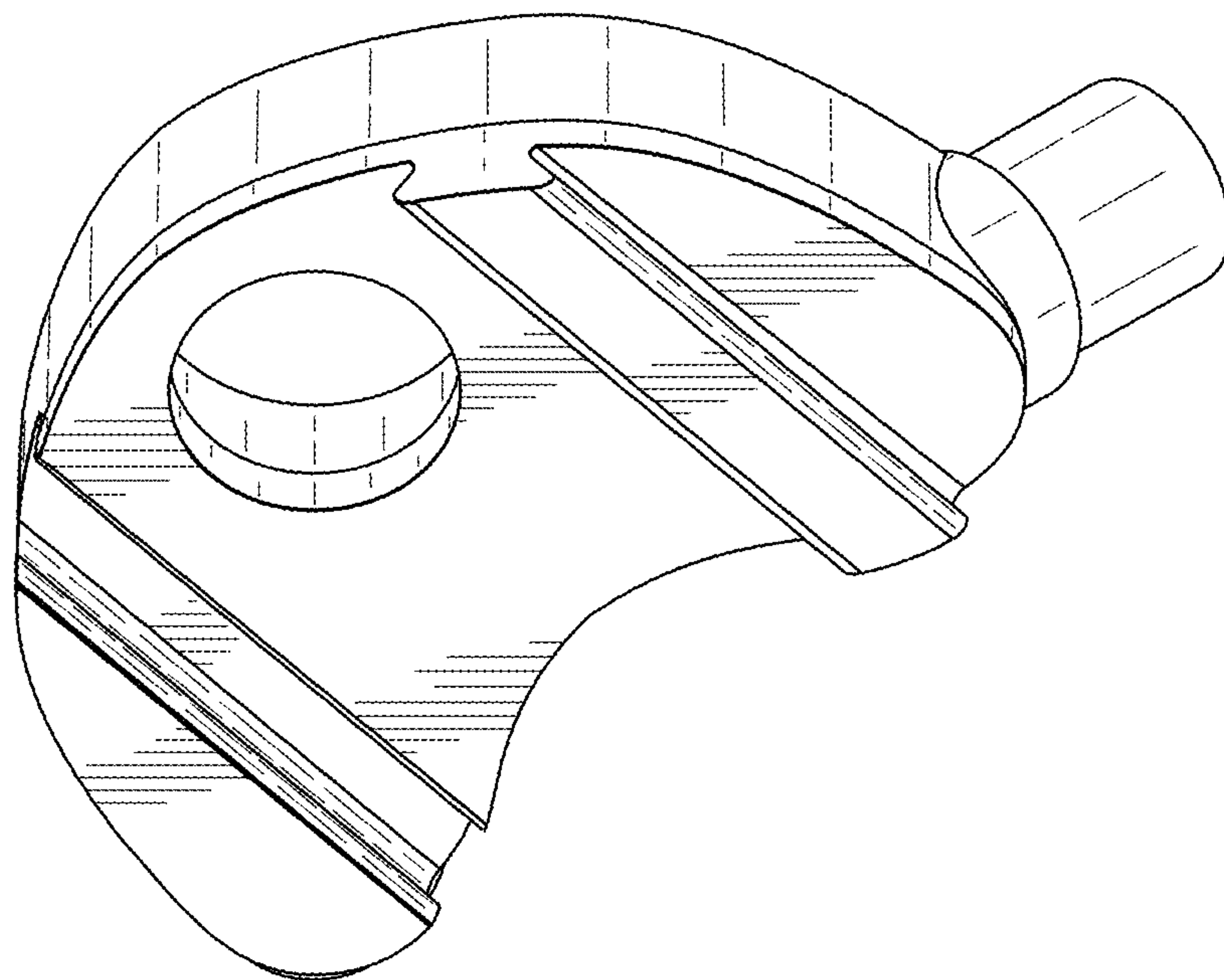


FIG. 18





**FIG. 19**



**FIG. 20**

FIG. 21

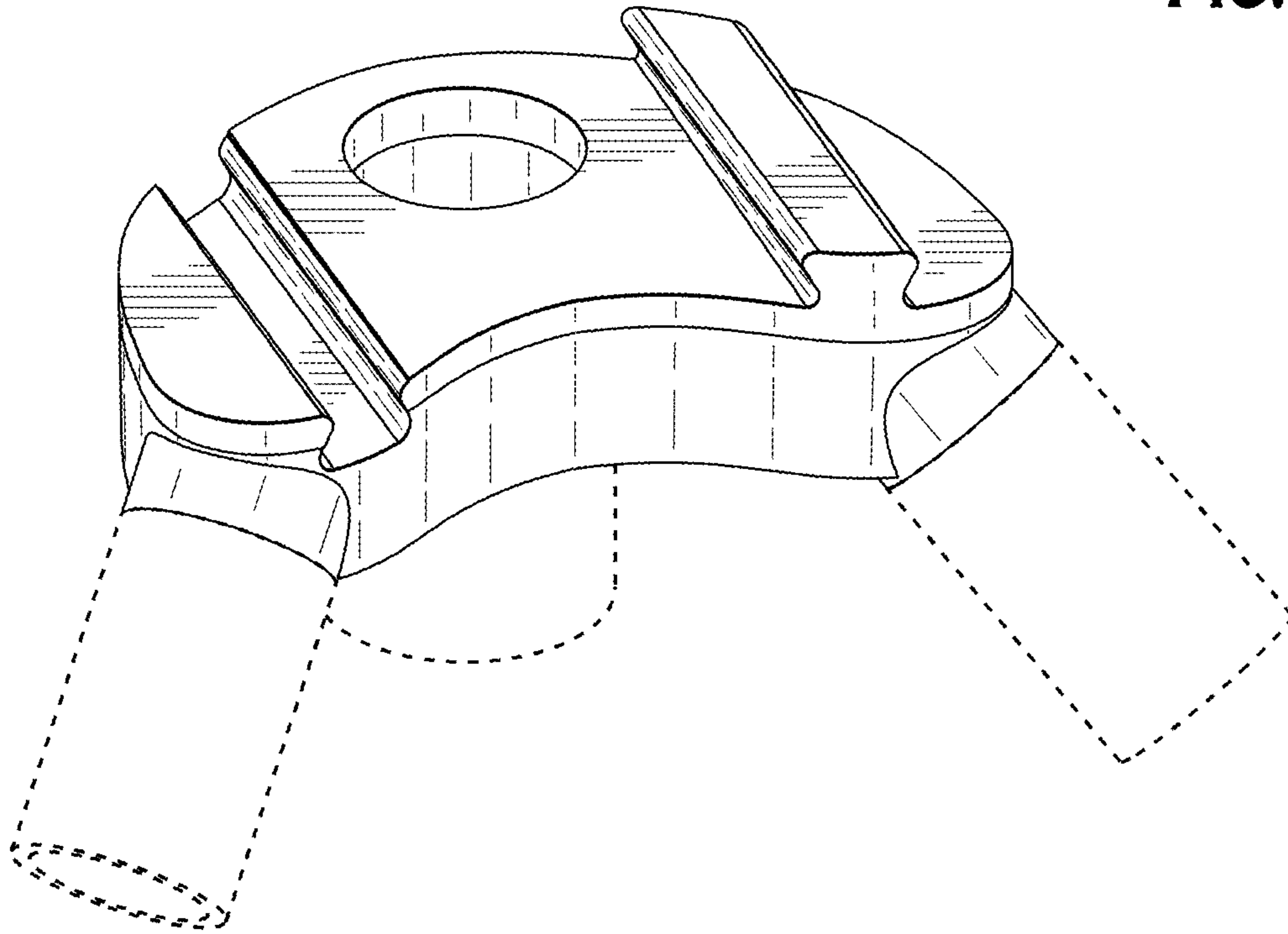
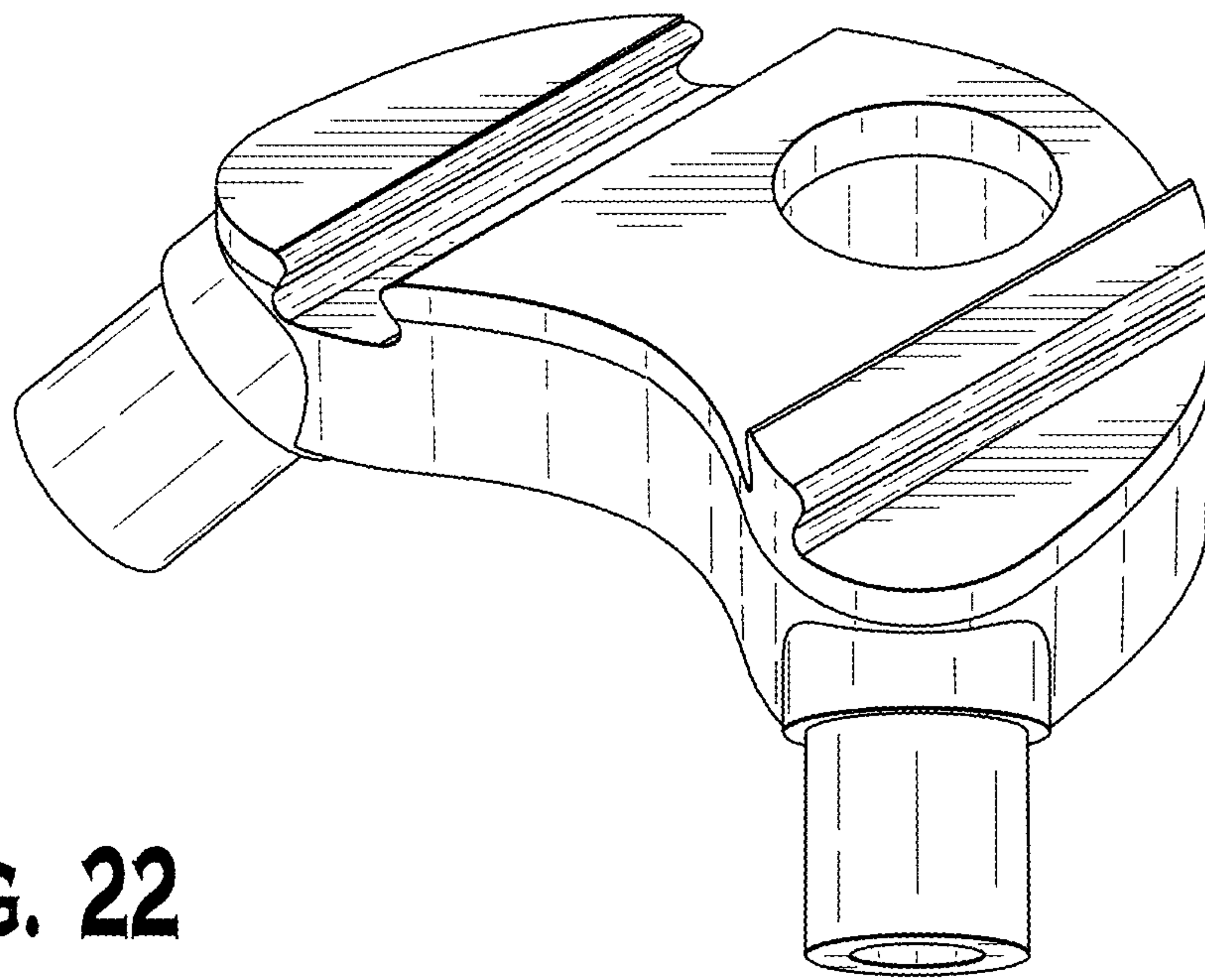
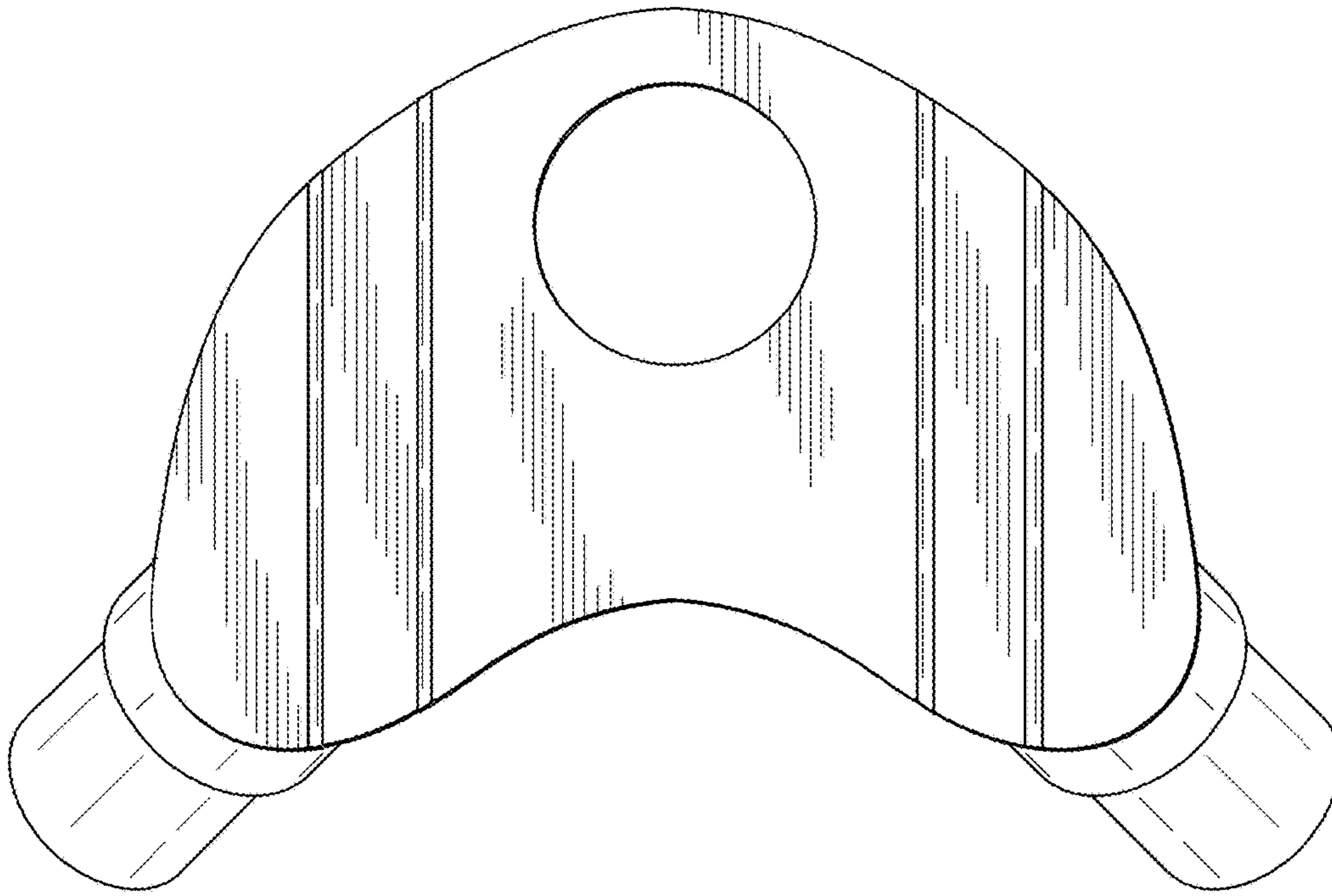
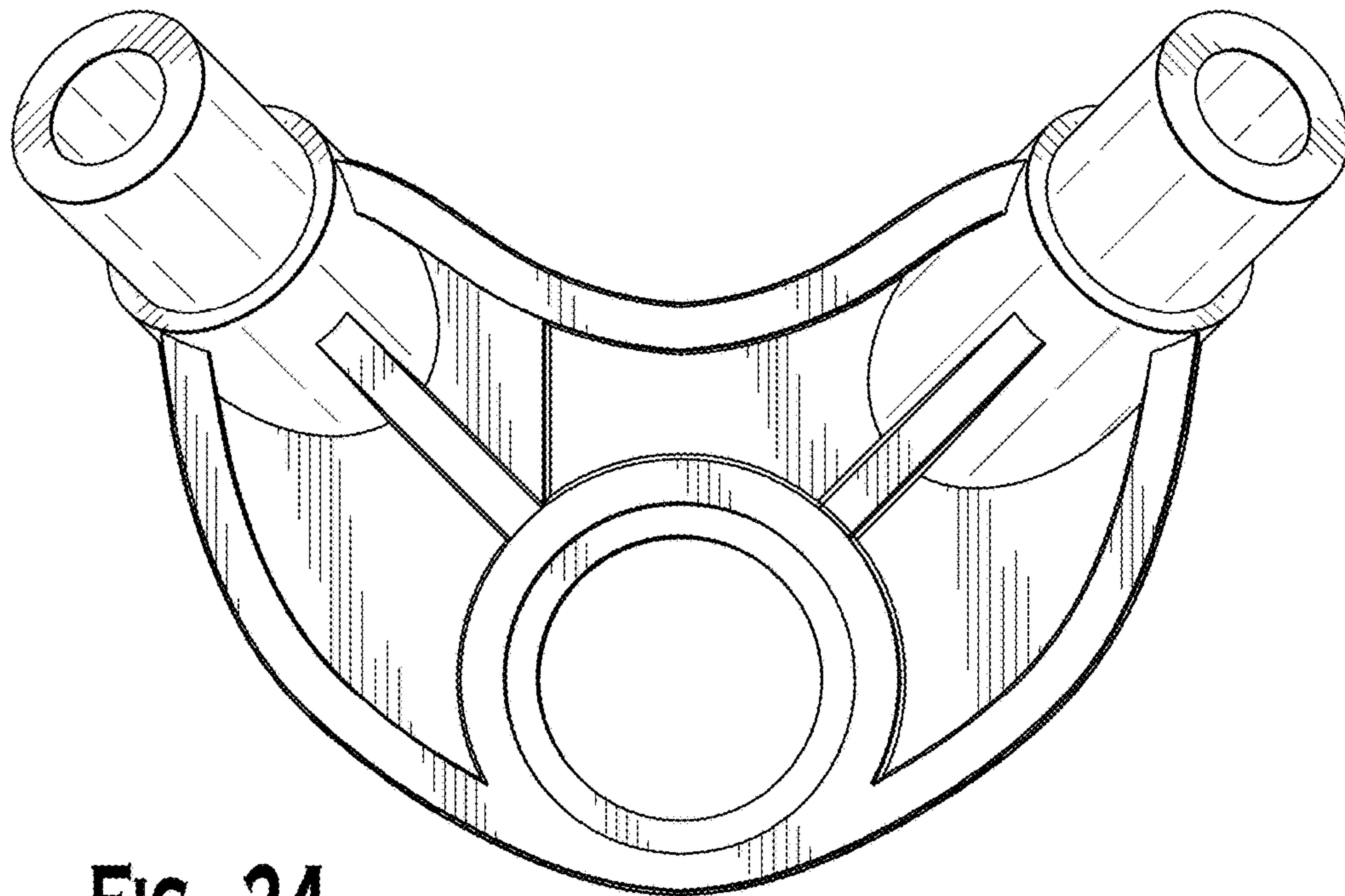


FIG. 22





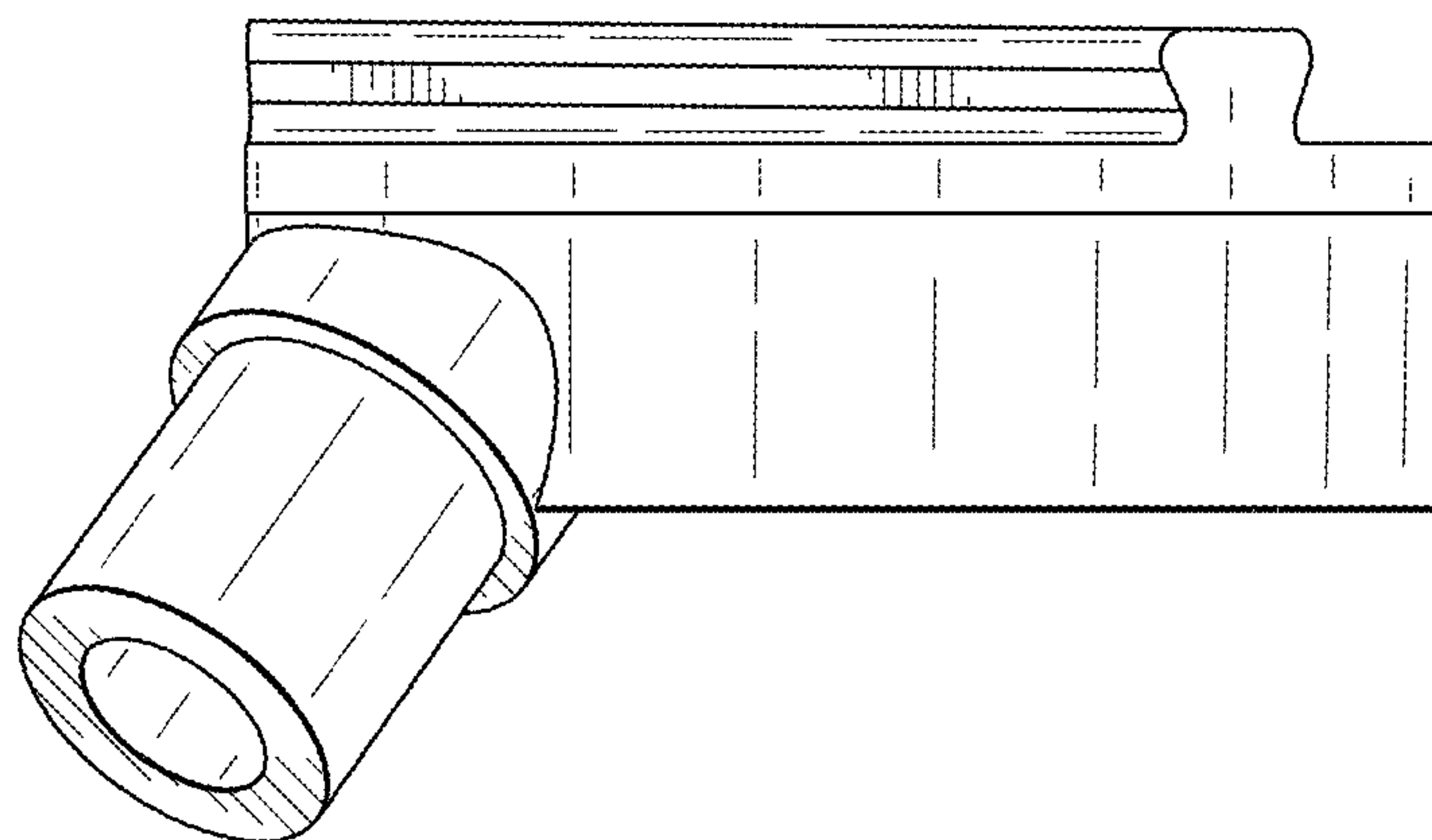
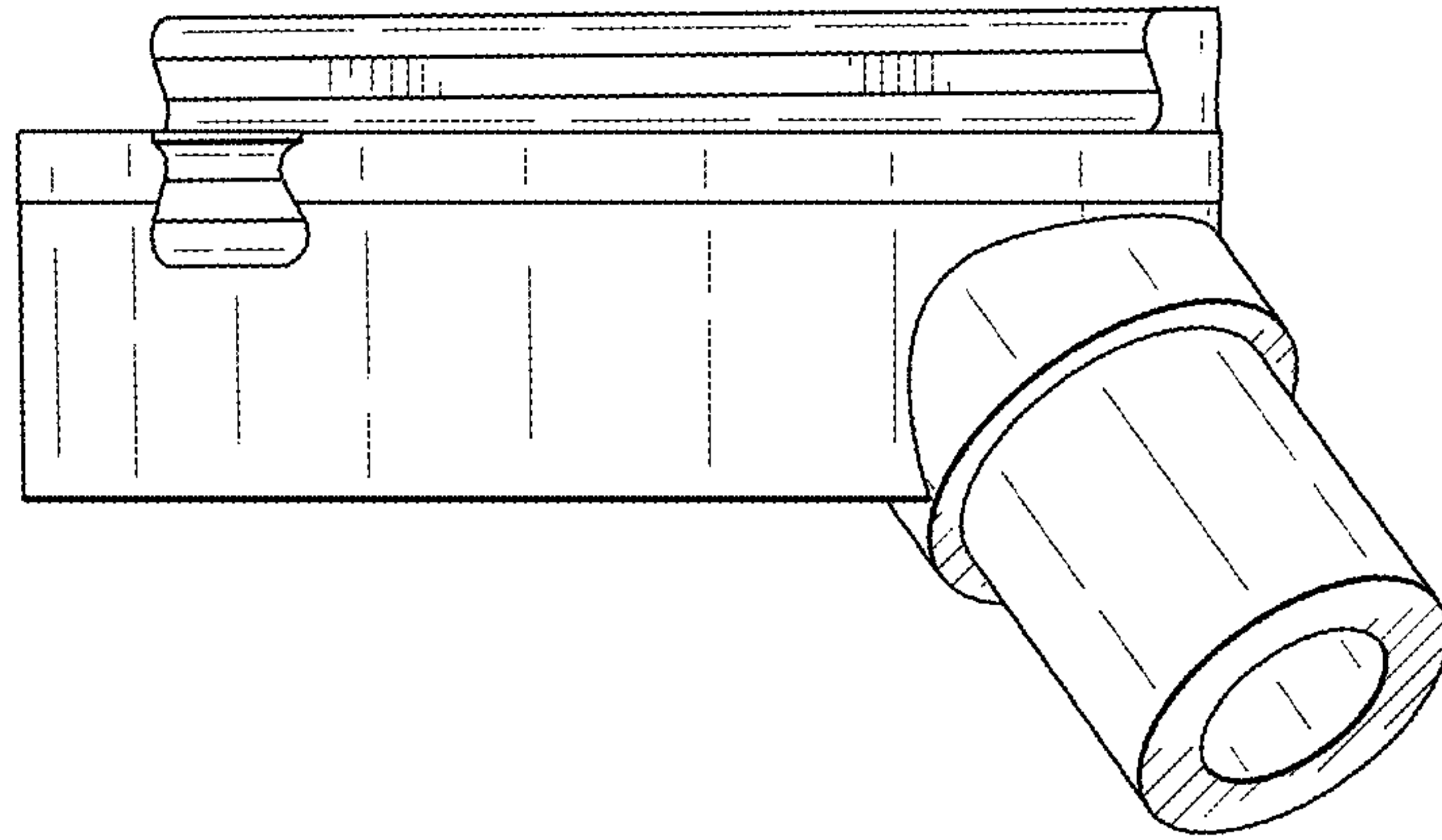
**FIG. 23**



**FIG. 24**



**FIG. 25**



**FIG. 26**

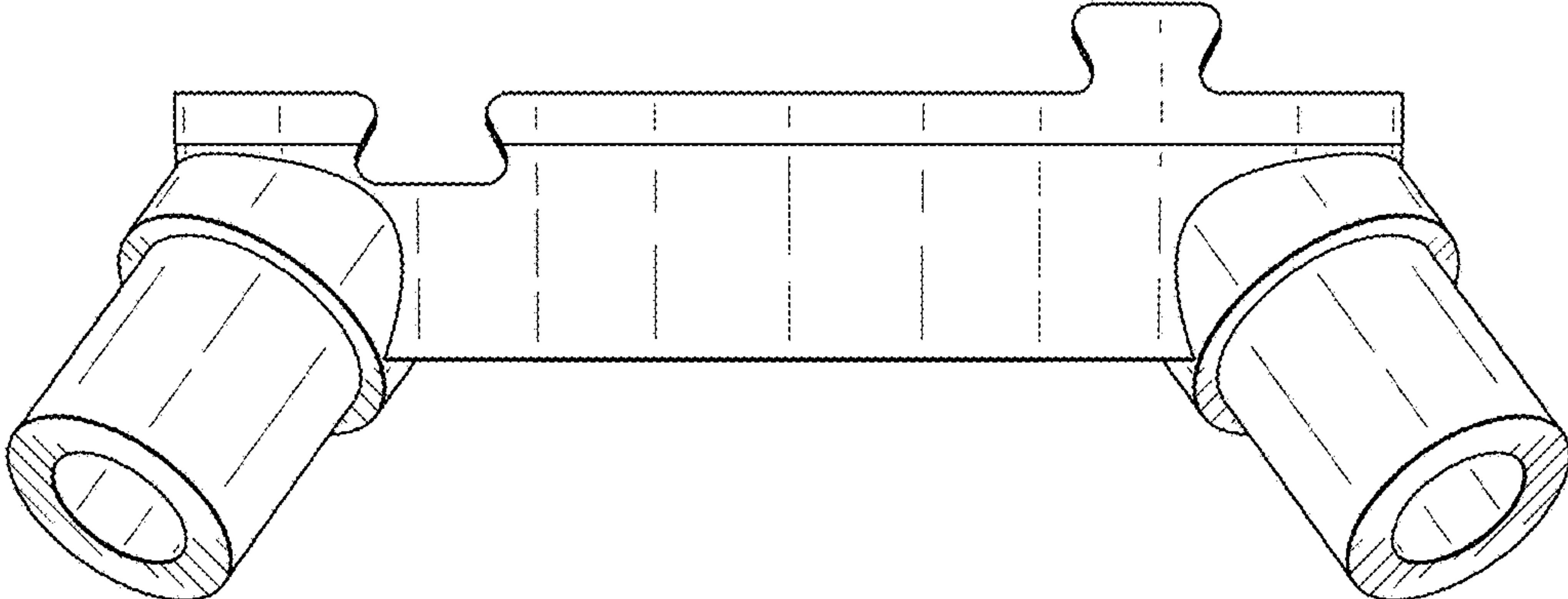


FIG. 27

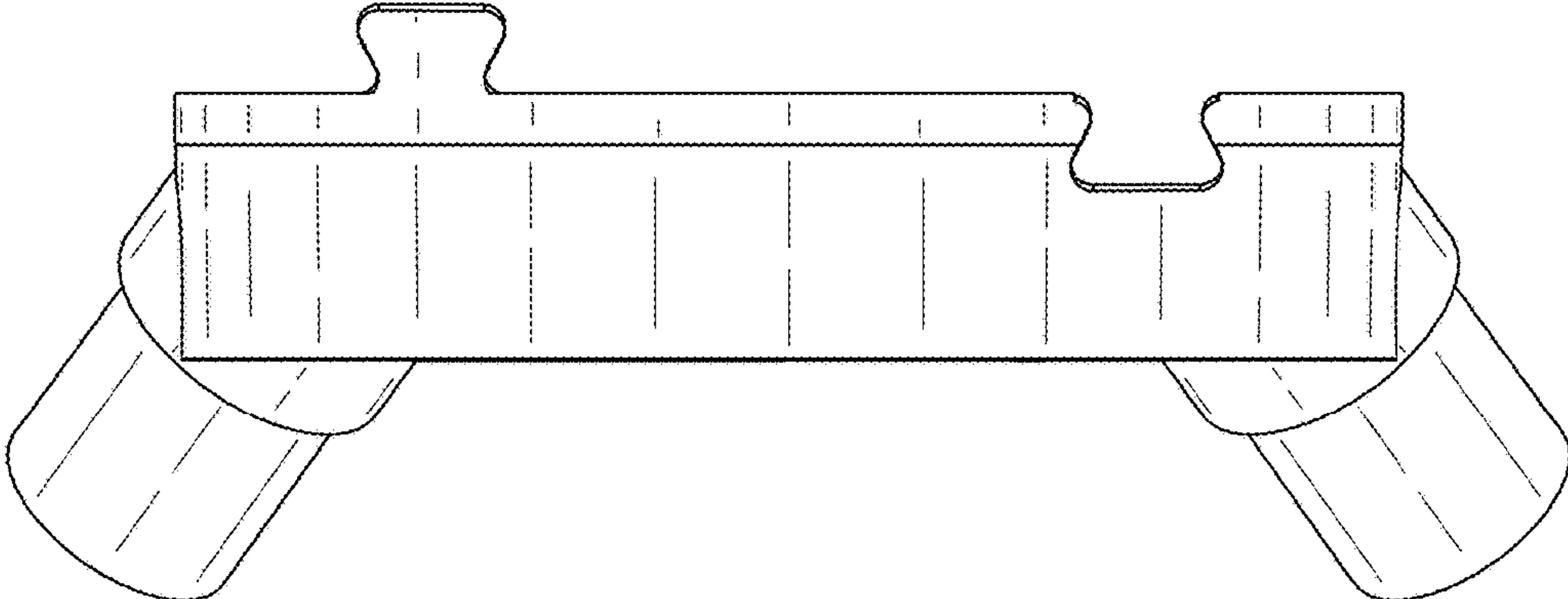
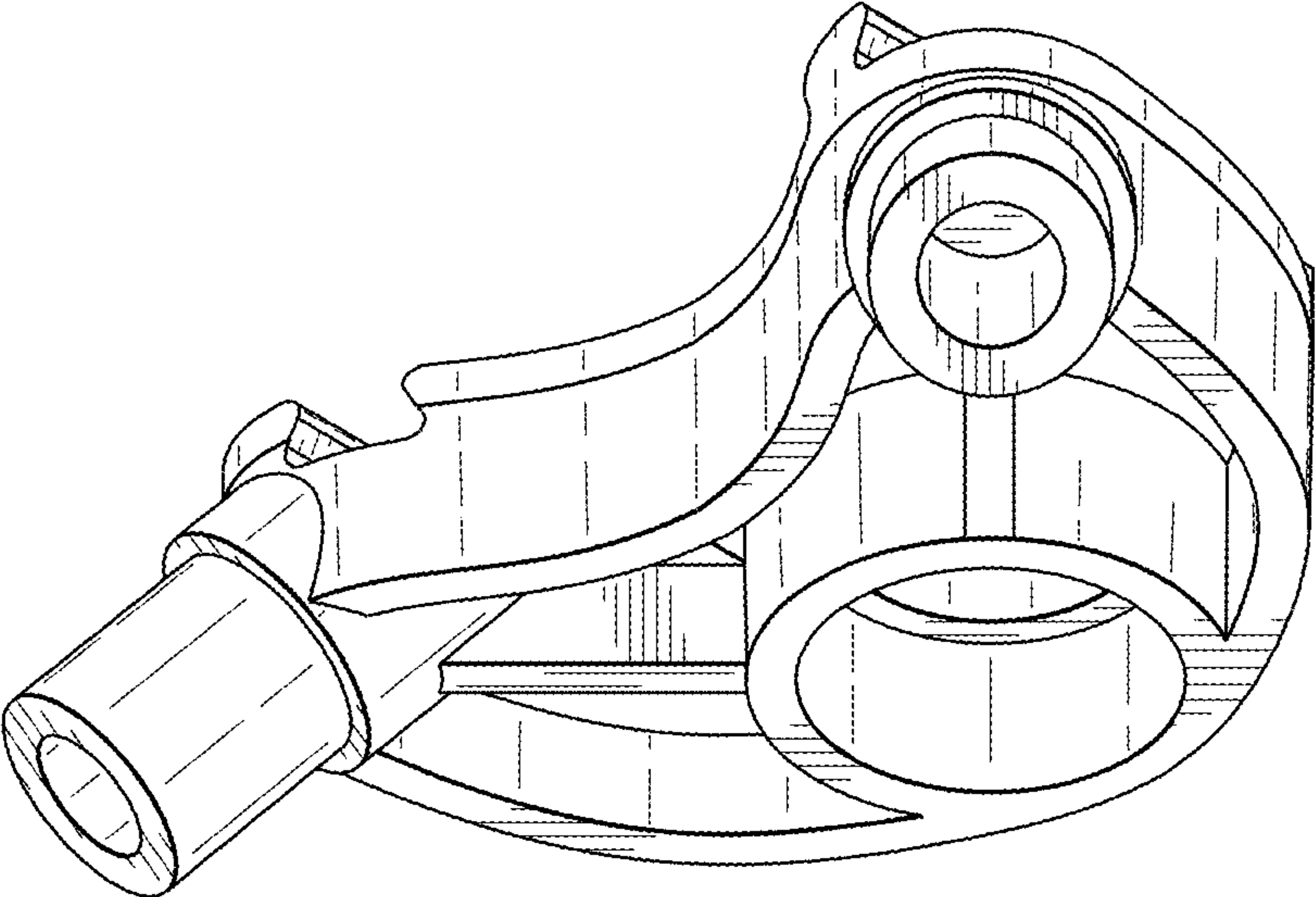


FIG. 28

**FIG. 29**



**FIG. 30**

