



US00D802046S

(12) **United States Design Patent**
Ho et al.

(10) **Patent No.:** **US D802,046 S**

(45) **Date of Patent:** **** Nov. 7, 2017**

- (54) **HOLOLENS FRAME**
- (71) Applicants: **Patrick C. Ho**, Hilton, NY (US); **Scott Leathersich**, Henrietta, NY (US)
- (72) Inventors: **Patrick C. Ho**, Hilton, NY (US); **Scott Leathersich**, Henrietta, NY (US)
- (**) Term: **15 Years**
- (21) Appl. No.: **29/572,858**
- (22) Filed: **Aug. 1, 2016**
- (51) **LOC (10) Cl.** **16-06**
- (52) **U.S. Cl.**
USPC **D16/300**
- (58) **Field of Classification Search**
USPC D16/300, 305, 309, 311-315, 317,
D16/319-322, 325-330, 334-335;
361/679.03
CPC G02C 11/08; G02C 7/16; G02C 9/02
See application file for complete search history.

(56) **References Cited**

U.S. PATENT DOCUMENTS

3,345,121	A *	10/1967	De Angelis	G02C 5/122 2/446
D363,079	S *	10/1995	Wai Keong	D16/300
D480,881	S *	10/2003	Chao	D6/315
7,475,981	B2 *	1/2009	Yong	G02C 9/00 351/47
D726,246	S *	4/2015	Shalon	D16/300
9,158,125	B2 *	10/2015	Shalon	G02C 5/128
D749,669	S *	2/2016	Ho	D16/332
2007/0291221	A1 *	12/2007	Chung	G02C 5/22 351/153
2012/0307195	A1 *	12/2012	Lin	G02C 5/08 351/57
2013/0258269	A1 *	10/2013	Shalon	A45C 11/04 351/79

2015/0185497	A1 *	7/2015	Ho	G02C 1/00 351/105
2016/0209674	A1 *	7/2016	Montalban	G02C 5/122
2017/0068110	A1 *	3/2017	Ho	G02C 1/02

OTHER PUBLICATIONS

HoloLens Frame, posted at amazon.com, posting date Sep. 29, 2016, [online], [site visited May 10, 2017]. Available from Internet, <URL: <https://www.amazon.com/HoloLensPrescriptionInsert-prescriptionlenses/dp/B01LZZ8RMA>>.*

Rochester Optical HoloLens Frame Insert, posted at rochesteroptical.com, posting date not given, [online], [site visited May 10, 2017]. Available from Internet, <URL: <https://www.rochesteroptical.com/store/hololensinsert/>>.*

* cited by examiner

Primary Examiner — George D. Kirschbaum
Assistant Examiner — Maria J Edwards
 (74) *Attorney, Agent, or Firm* — Bond, Schoeneck & King, PLLC; Joseph Noto

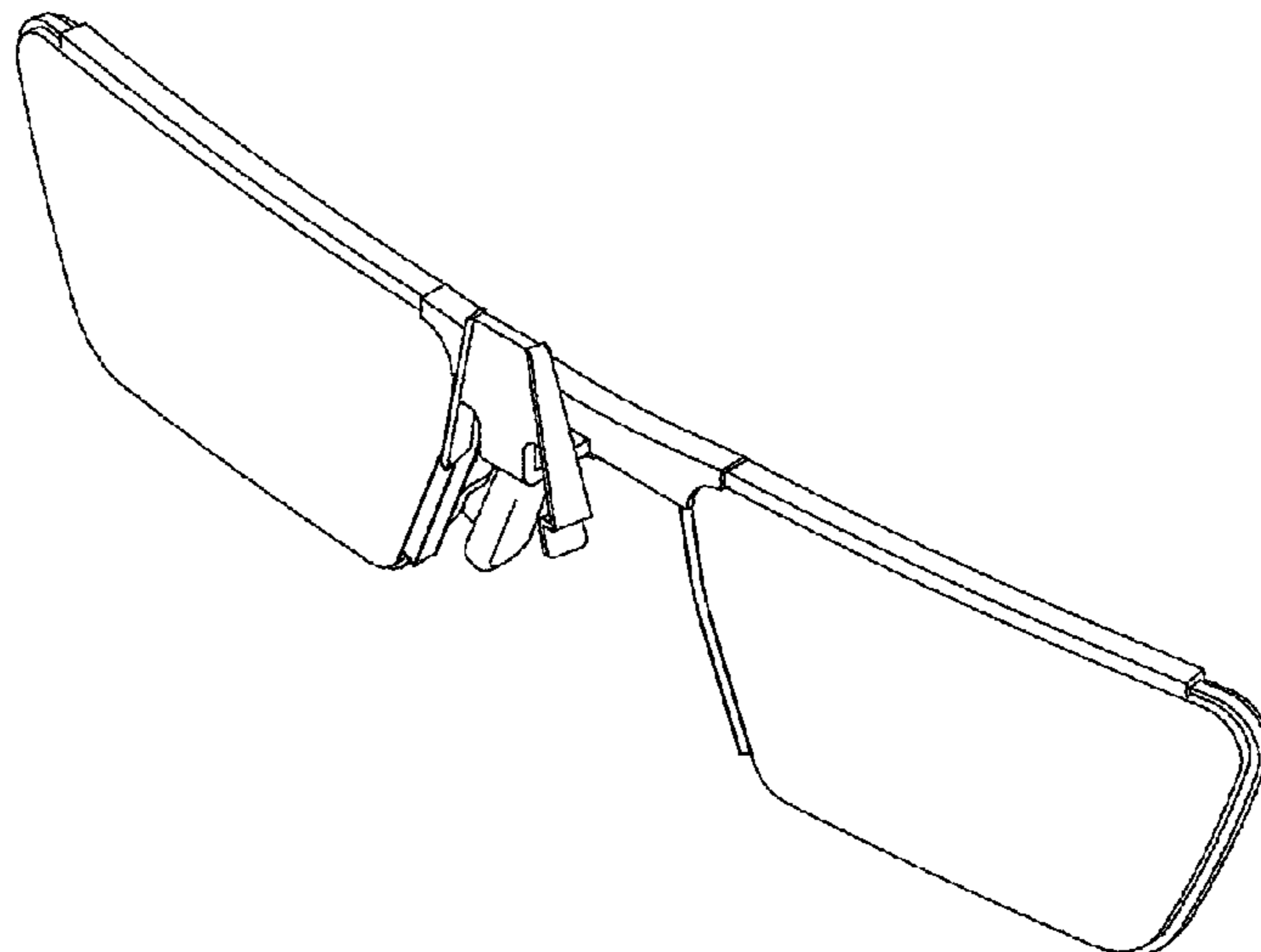
(57) **CLAIM**

The ornamental design for a hololens frame, as shown and described.

DESCRIPTION

FIG. 1 is a front elevational view of a hololens frame for the new design;
 FIG. 2 is a rear elevational view thereof;
 FIG. 3 is a right side elevational view, wherein the left side elevational view is a mirror image thereof;
 FIG. 4 is a top plan view thereof;
 FIG. 5 is a bottom plan view thereof;
 FIG. 6 is a front perspective view thereof; and,
 FIG. 7 is rear perspective view thereof.

1 Claim, 7 Drawing Sheets



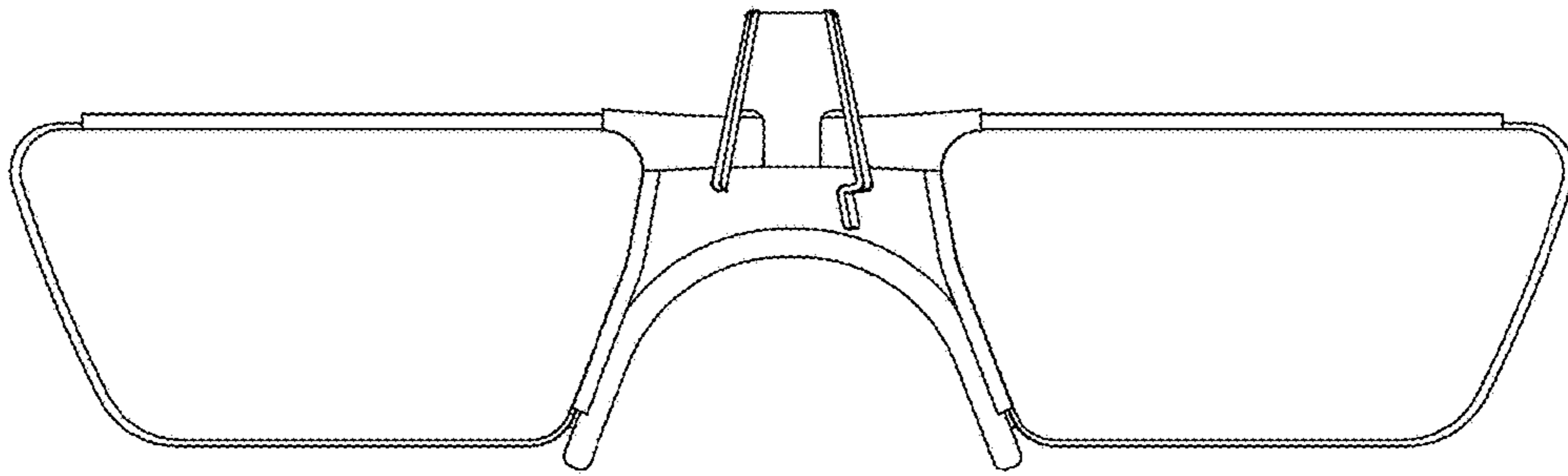


FIG. 1

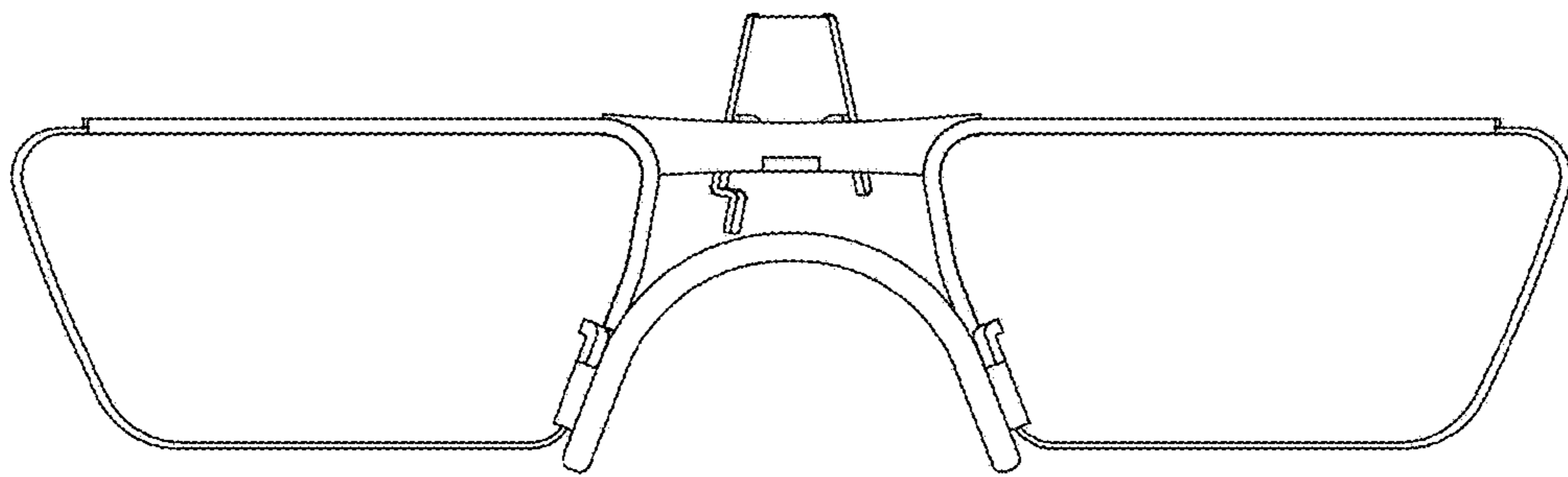


FIG. 2

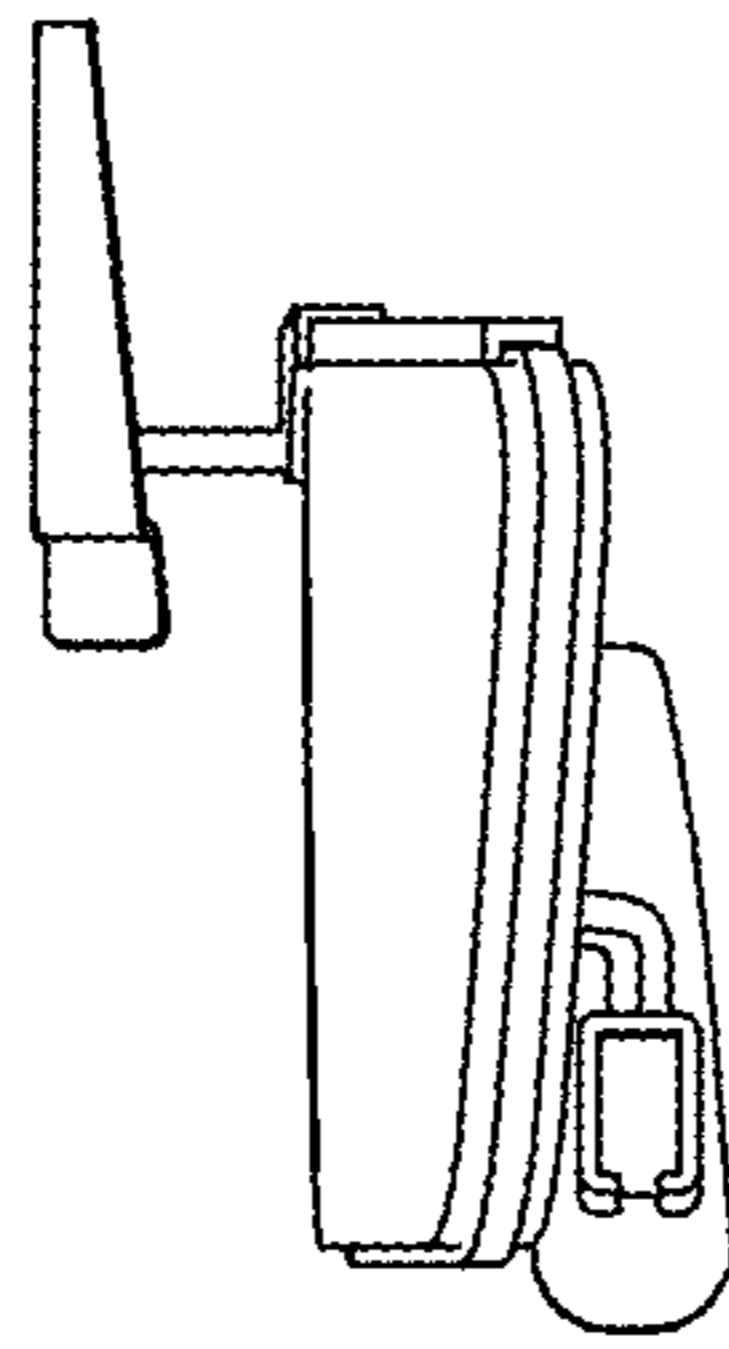


FIG. 3

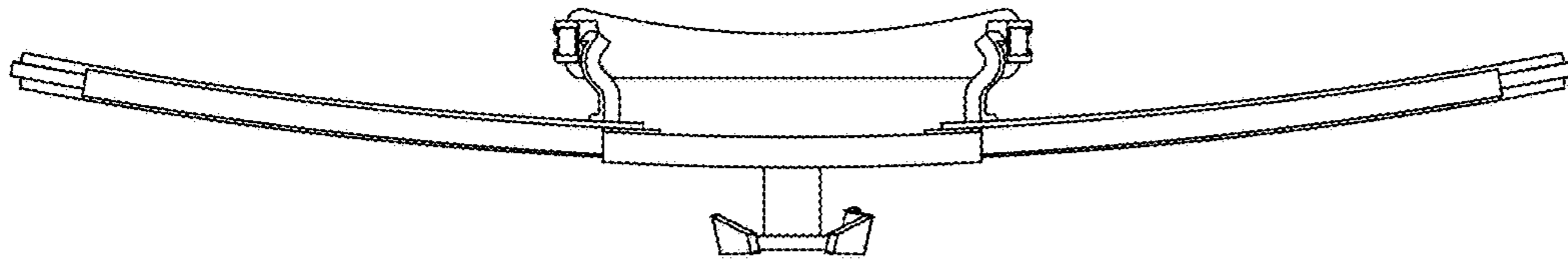


FIG. 4

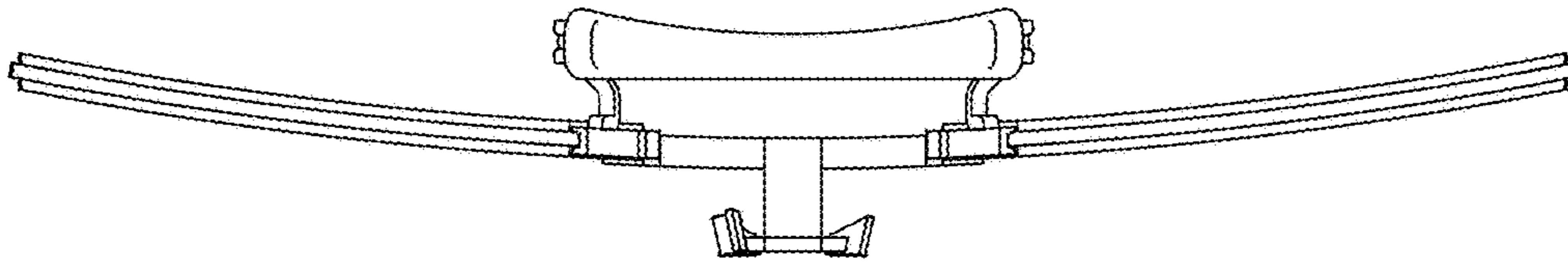


FIG. 5

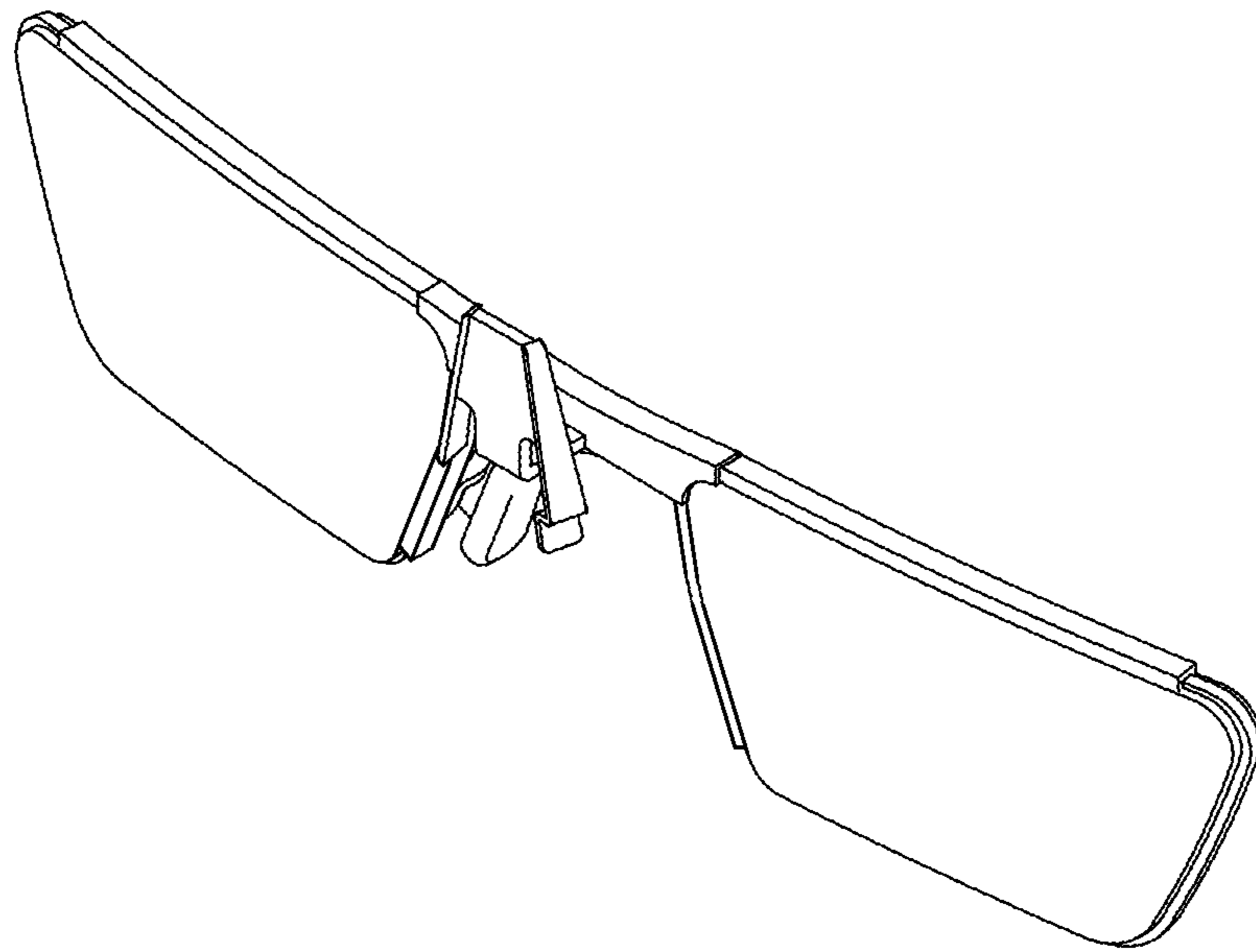


FIG. 6

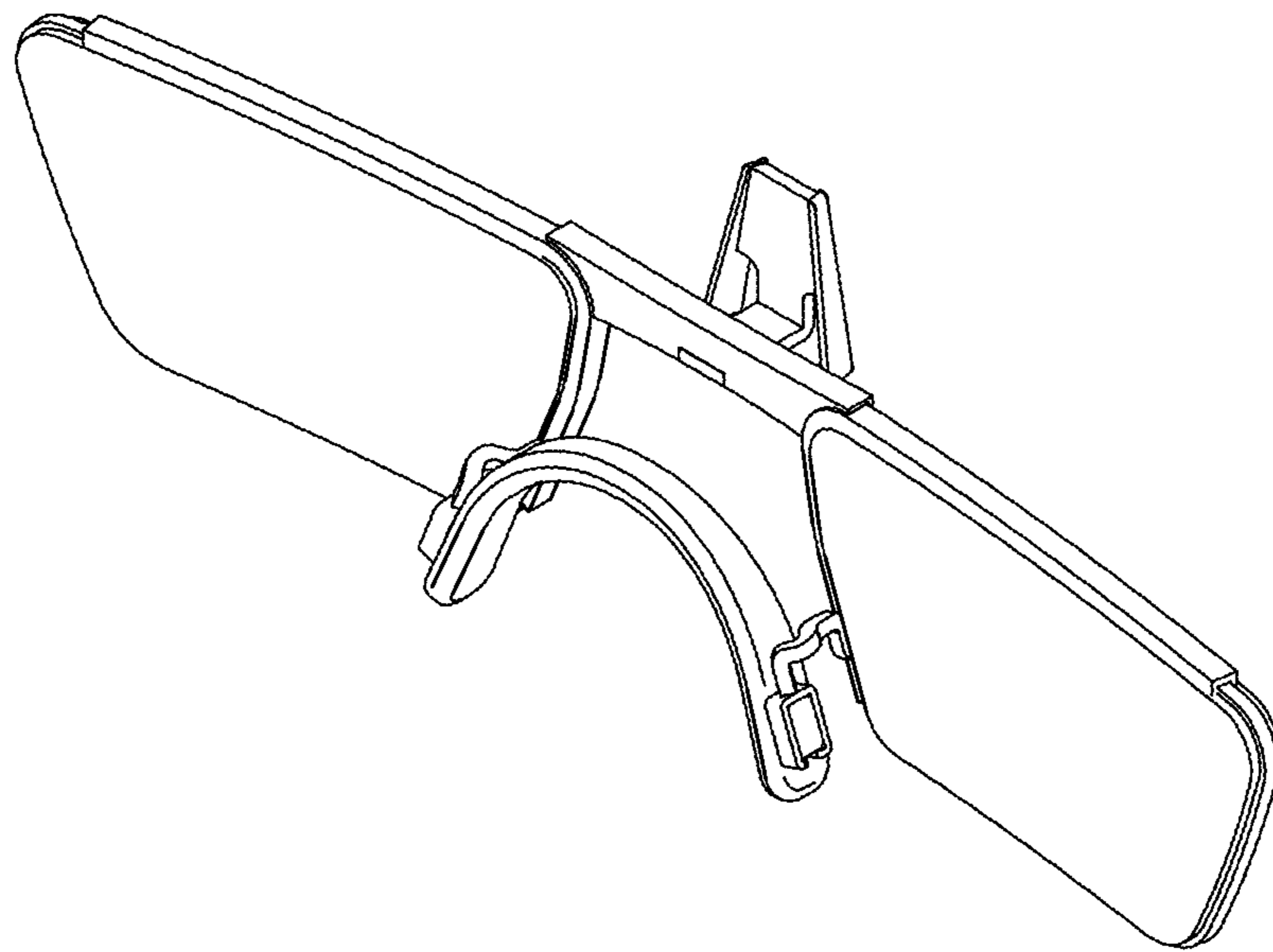


FIG. 7