



US00D802045S

(12) **United States Design Patent**
Chalenko et al.

(10) **Patent No.:** **US D802,045 S**

(45) **Date of Patent:** **** Nov. 7, 2017**

(54) **DEPTH OF FIELD ADAPTER**

(71) Applicant: **Beastgrip, CO.**, Des Plaines, IL (US)

(72) Inventors: **Vadym Chalenko**, Des Plaines, IL (US); **Oleksandr Chop**, Des Plaines, IL (US)

(73) Assignee: **BEASTGRIP, CO.**, Des Plaines, IL (US)

(**) Term: **15 Years**

(21) Appl. No.: **29/584,534**

(22) Filed: **Nov. 15, 2016**

(51) **LOC (10) Cl.** **16-05**

(52) **U.S. Cl.**
USPC **D16/219**

(58) **Field of Classification Search**
USPC D16/134, 136, 200, 202–205, 218, 219,
D16/235, 242; 348/373–376;
359/826–828; 396/529–532, 535,
396/539–541

CPC G03B 17/02; G03B 19/04; G03B 17/56;
G03B 17/04; G03B 15/03; G03B 17/14;
H04N 5/2251; H04N 5/2252; H04N
5/2253; H04N 5/2254; G02B 7/02; G02B
7/04; G02B 7/14

See application file for complete search history.

(56) **References Cited**

U.S. PATENT DOCUMENTS

D412,922 S * 8/1999 Sekine D16/134
D562,862 S * 2/2008 Yasutomi D16/134

D562,863 S * 2/2008 Yasutomi D16/134
7,625,144 B2 * 12/2009 Kranz G02B 7/14
359/827
D665,005 S * 8/2012 Asano D16/219
D684,208 S * 6/2013 Lee D16/219
D697,542 S * 1/2014 Kim D16/219
D737,360 S * 8/2015 Jung D16/219
D741,937 S * 10/2015 Park D16/219
D763,942 S * 8/2016 Yoon D16/219
D764,562 S * 8/2016 Kim D16/219
D783,078 S * 4/2017 Kim D16/219
D783,700 S * 4/2017 Tagawa D16/219

* cited by examiner

Primary Examiner — Philip S Hyder
Assistant Examiner — Ramzi Almatrahi

(57) **CLAIM**

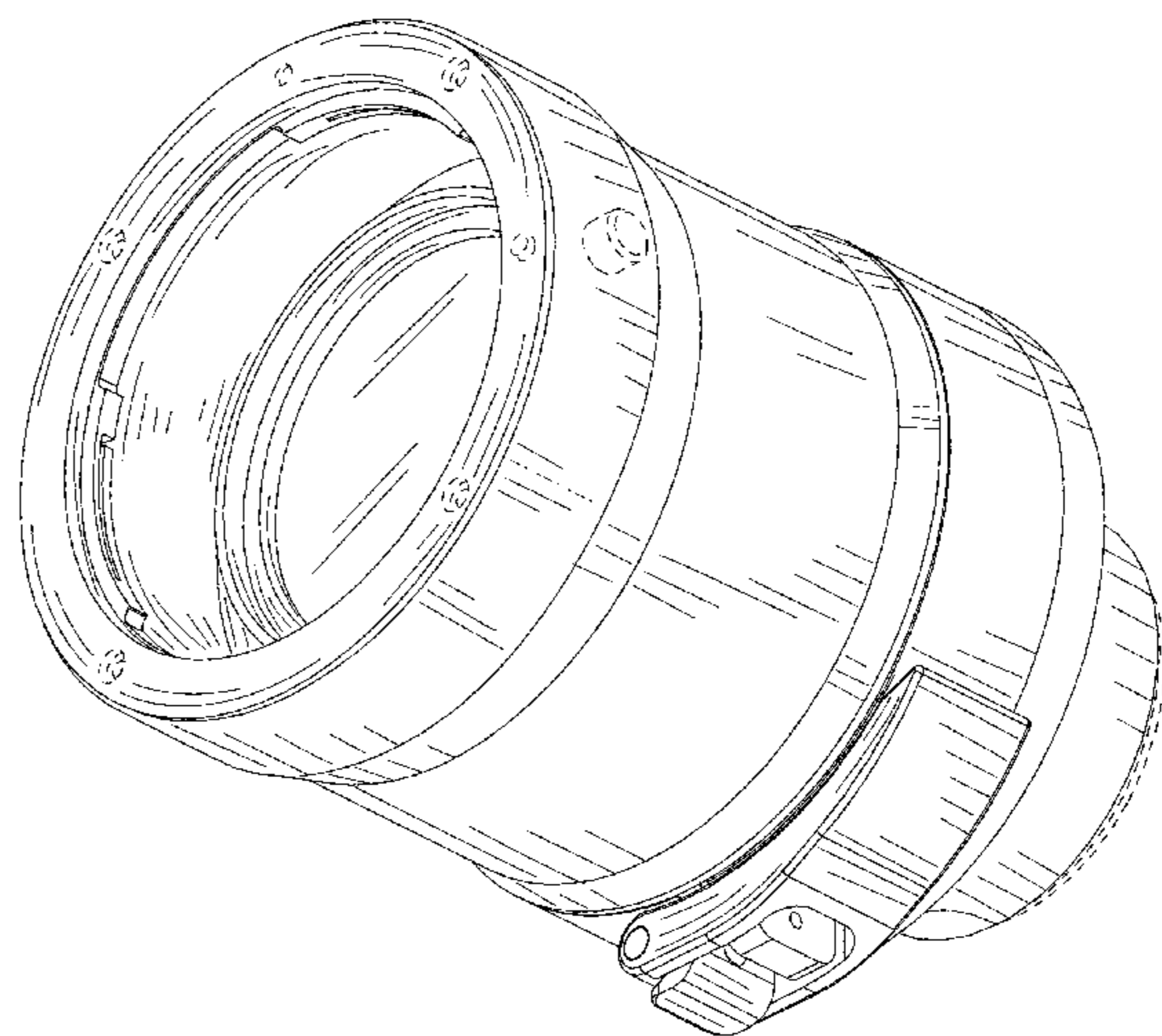
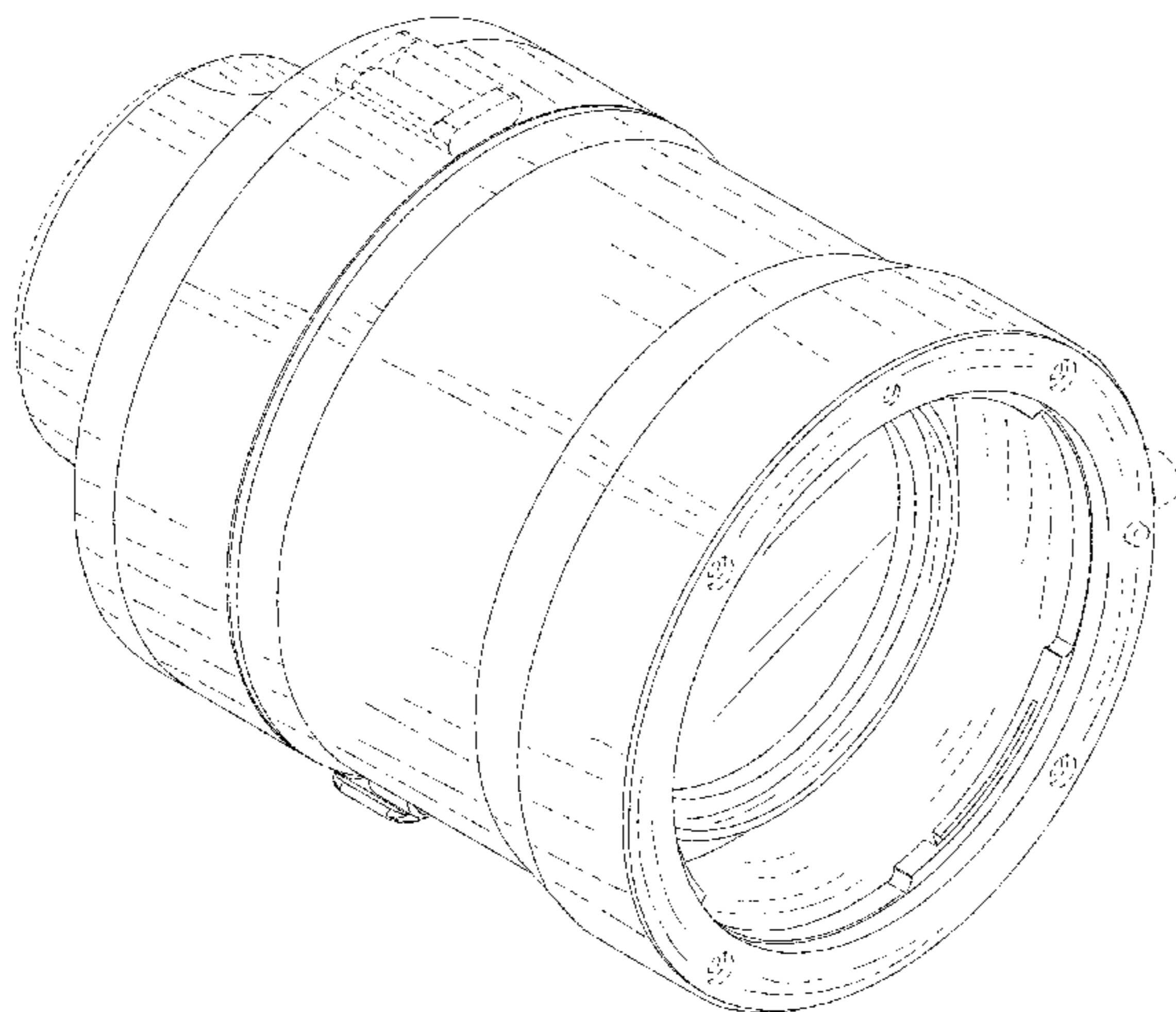
The ornamental design for a depth of field adapter, as shown and described.

DESCRIPTION

FIG. 1 is a top perspective view of a depth of field adapter; FIG. 2 is a bottom perspective view thereof; FIG. 3 is a front elevational view thereof; FIG. 4 is a rear elevational view thereof; FIG. 5 is a left side elevational view thereof; FIG. 6 is a right side elevational view thereof; FIG. 7 is a top plan view thereof; and, FIG. 8 is a bottom plan view thereof.

The broken line showing of a top mount, an adjustment knob, bayonet holder mounts, and threading are included for the purpose of illustrating environmental structure and forms no part of the claimed design.

1 Claim, 8 Drawing Sheets



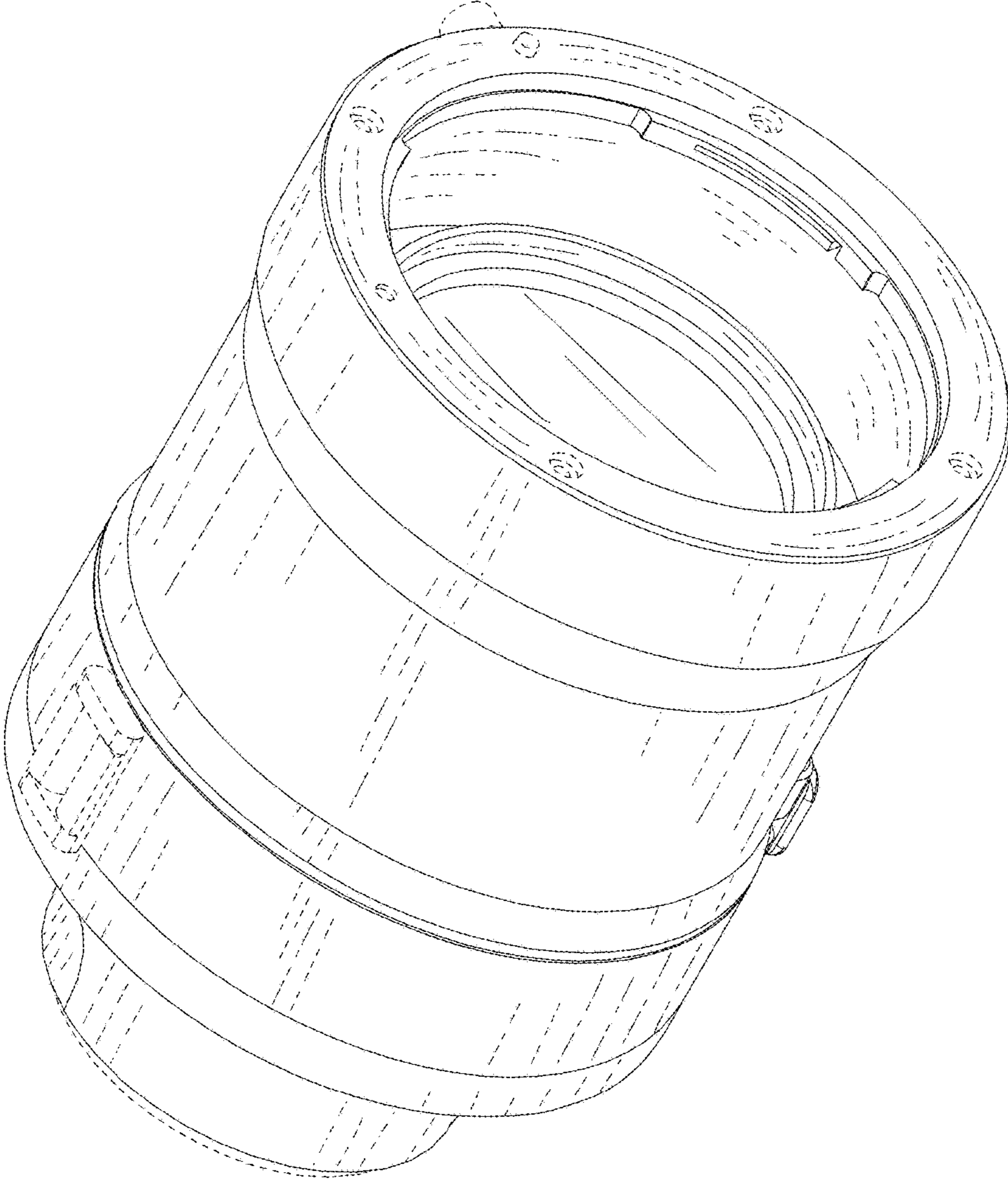


FIG. 1

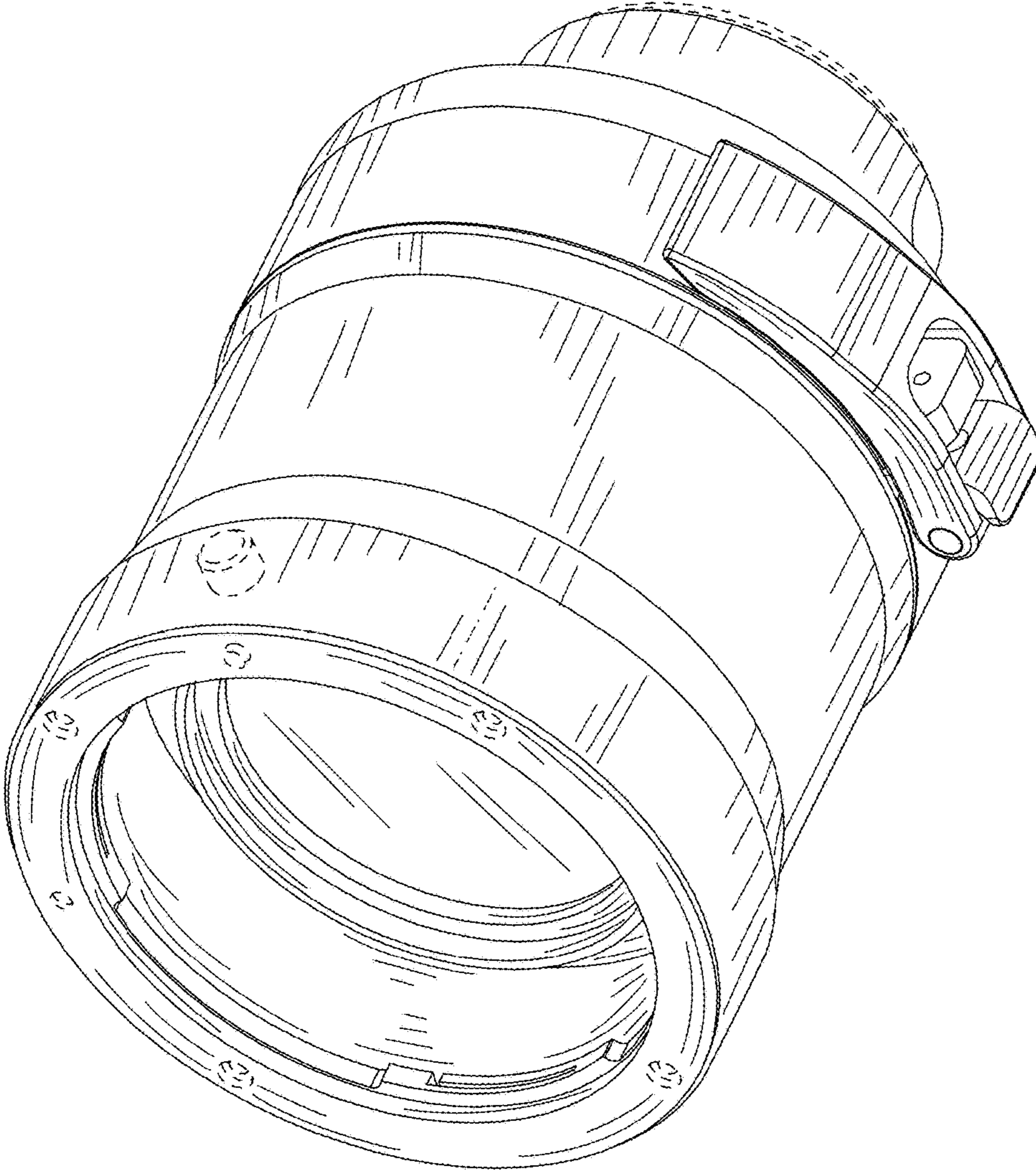


FIG. 2

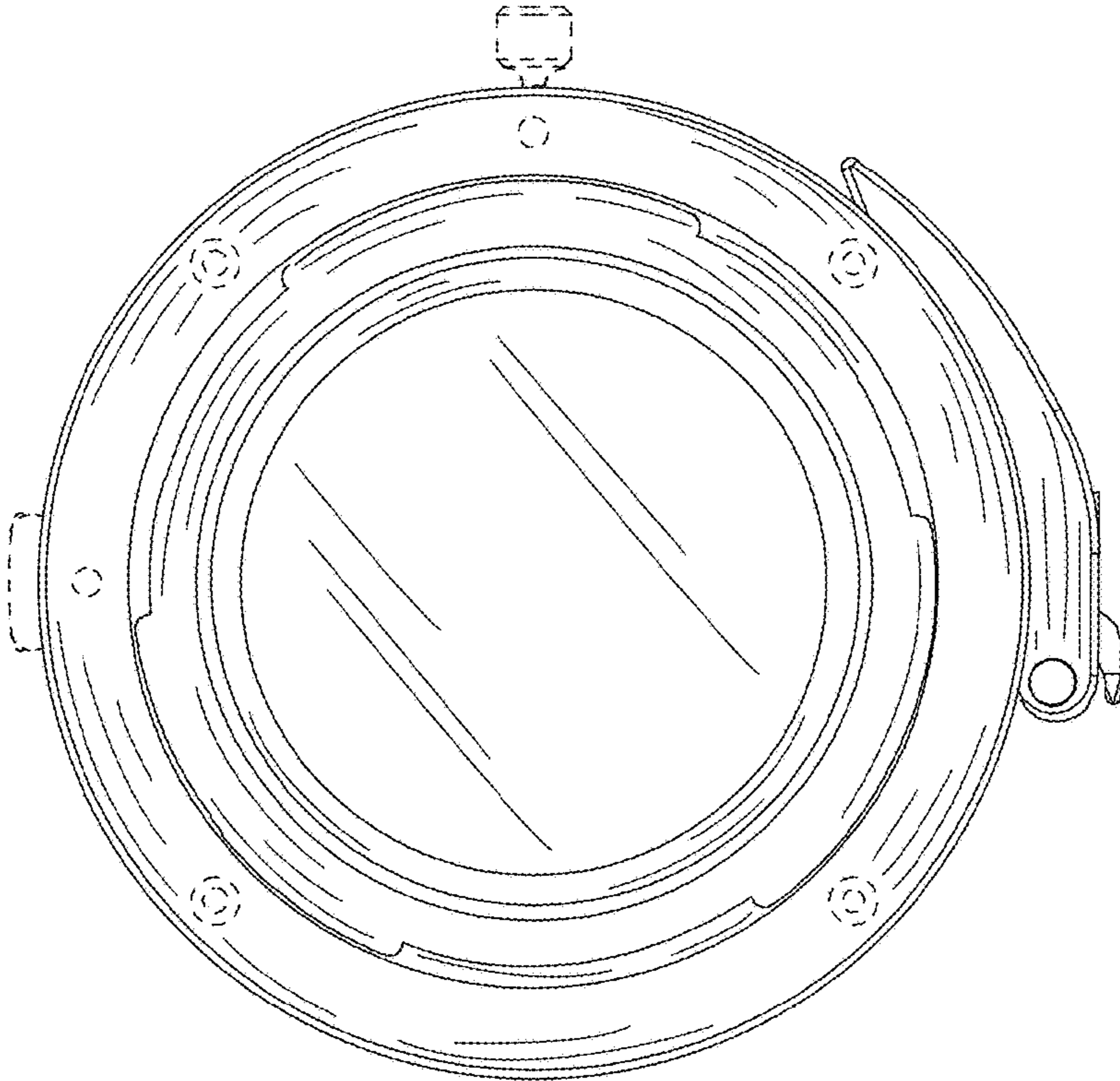


FIG. 3

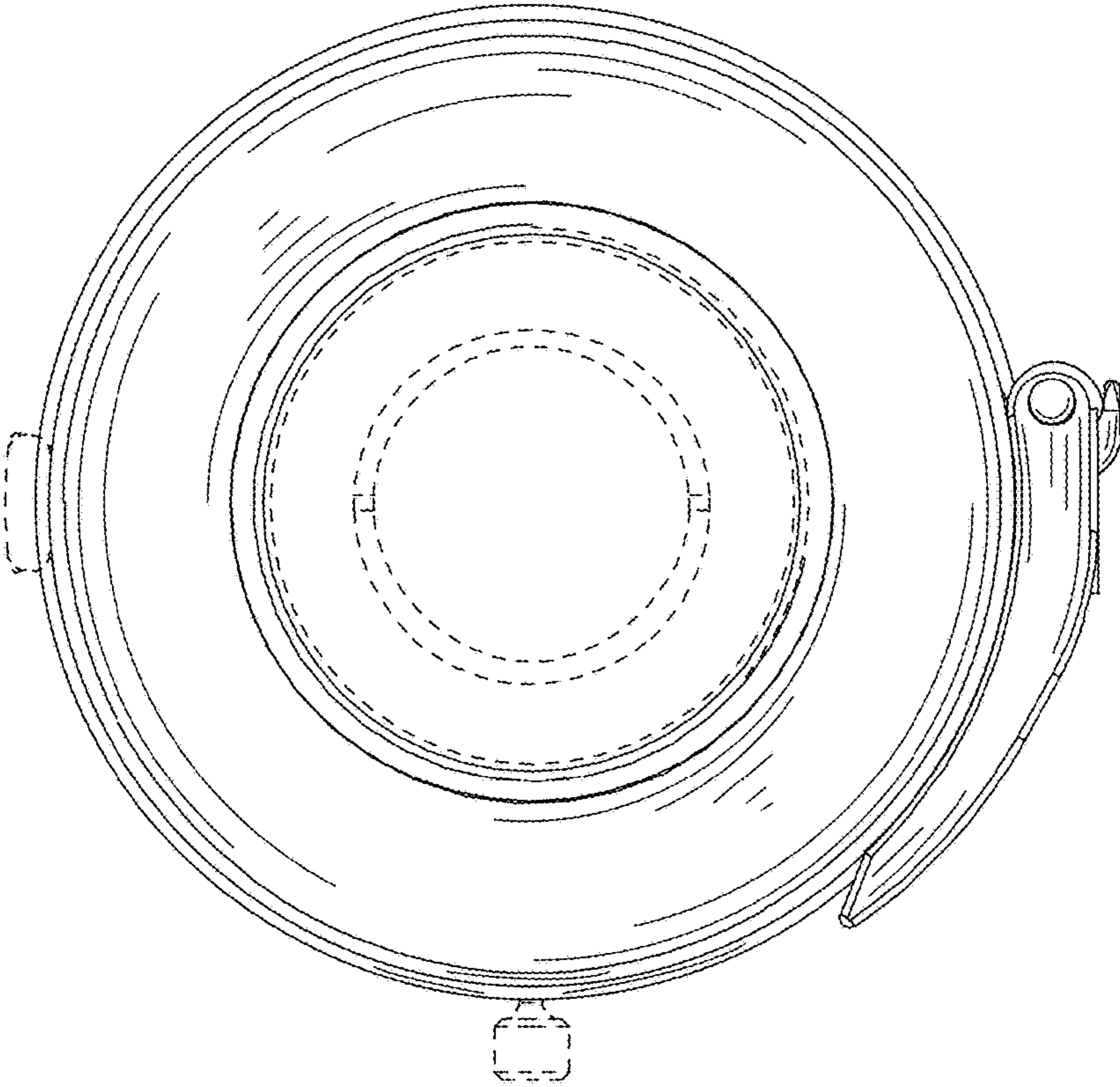


FIG. 4

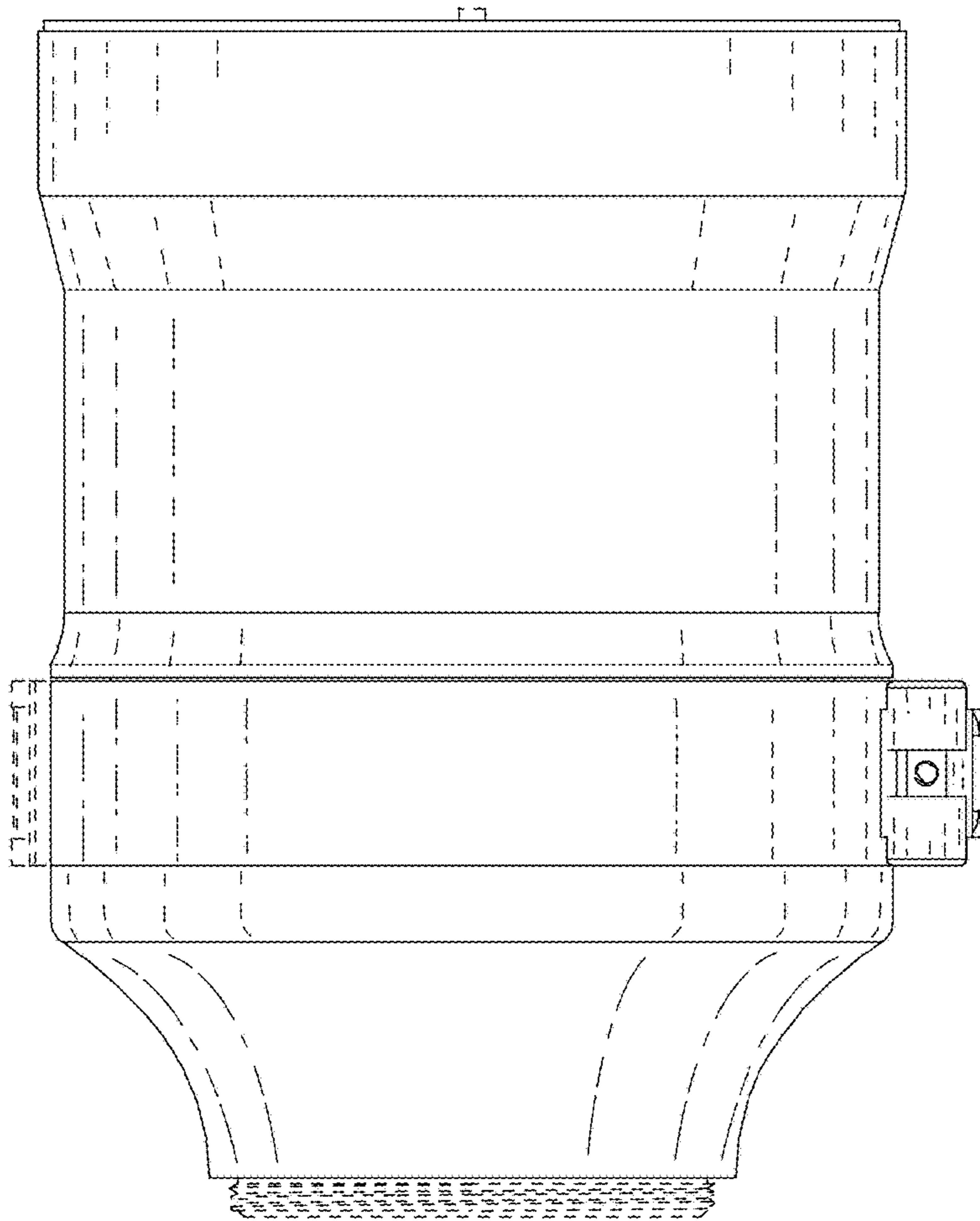


FIG. 5

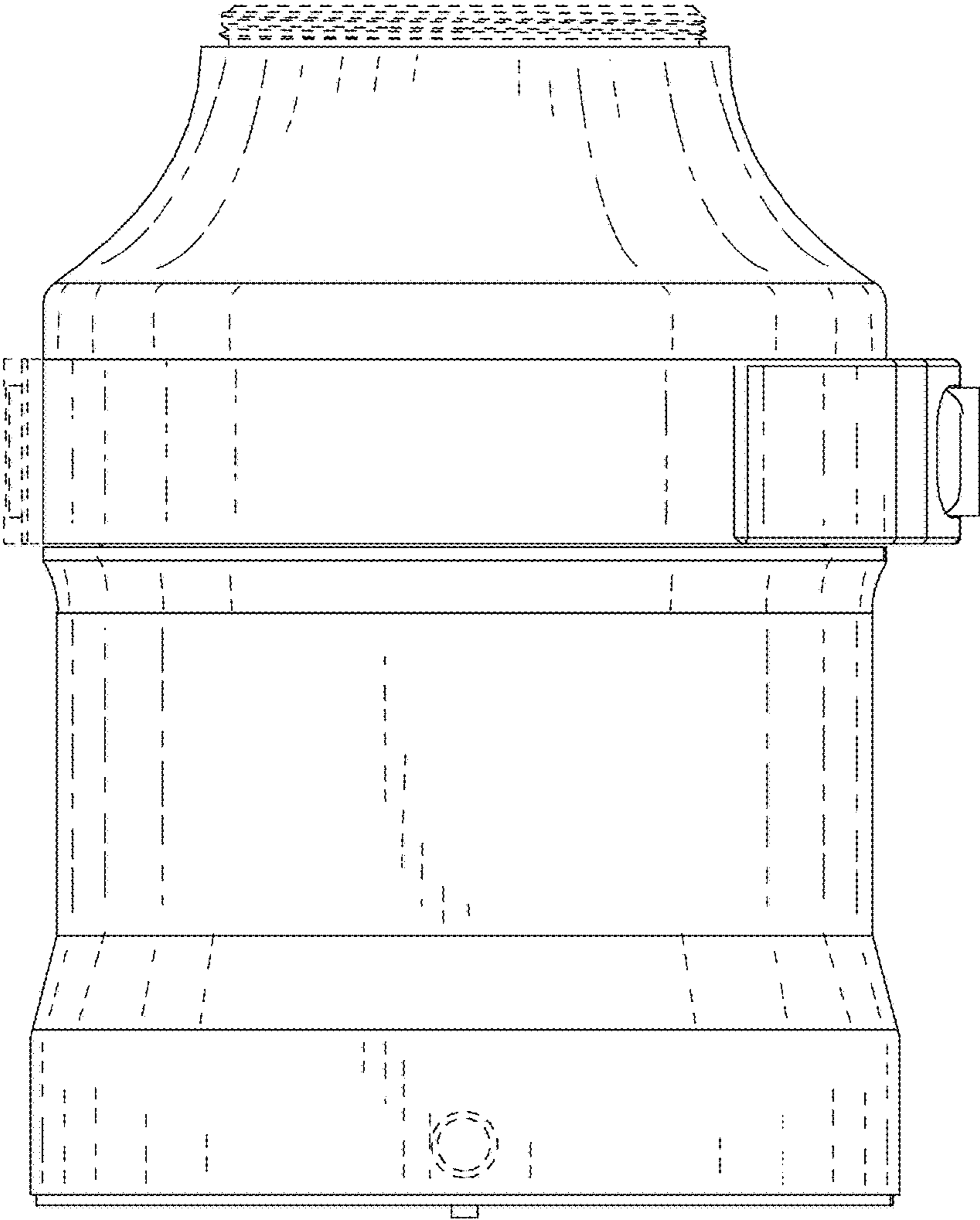


FIG. 6

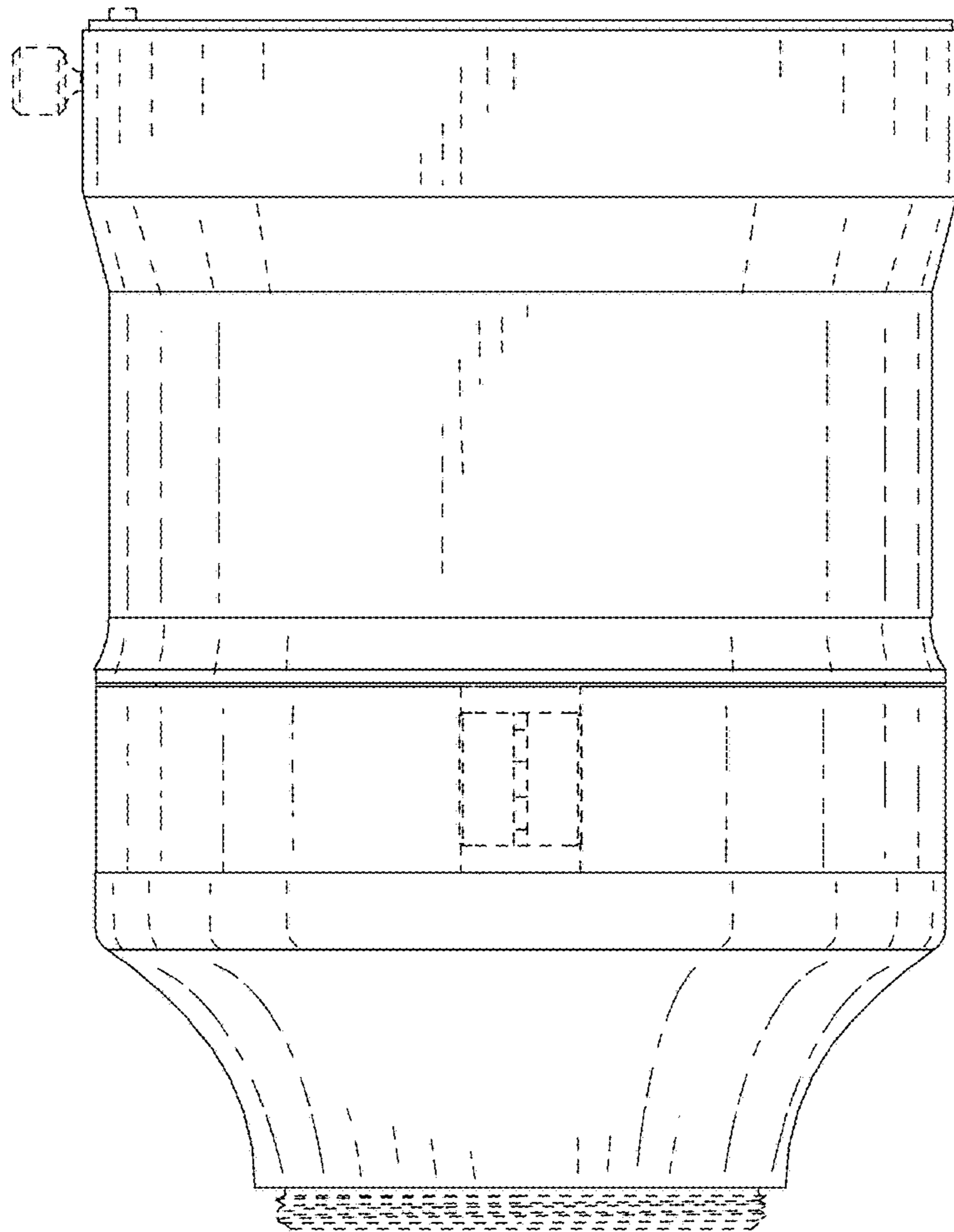


FIG. 7

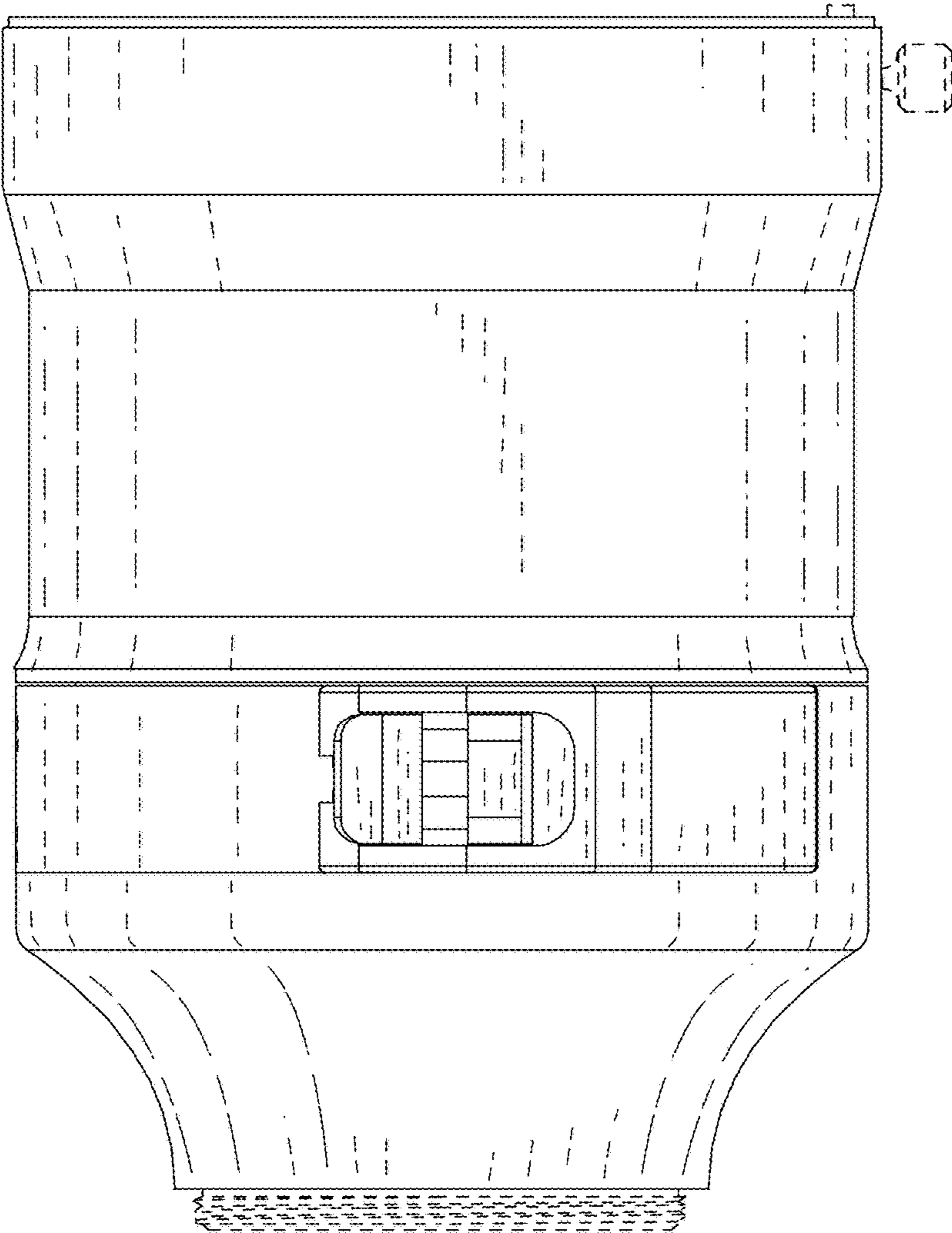


FIG. 8