



US00D802044S

(12) **United States Design Patent**  
**Wu et al.**

(10) **Patent No.:** **US D802,044 S**

(45) **Date of Patent:** **\*\* Nov. 7, 2017**

(54) **PANORAMIC CAMERA**

(71) Applicant: **GeoVision Inc.**, Taipei (TW)

(72) Inventors: **Chih-Ming Wu**, New Taipei (TW);  
**Min-Wei Chen**, Taipei (TW); **Fu-Fan Cheng**, Taipei (TW)

(73) Assignee: **GeoVision Inc.**, Taipei (TW)

(\*\*) Term: **15 Years**

(21) Appl. No.: **29/561,649**

(22) Filed: **Apr. 19, 2016**

(51) **LOC (10) Cl.** ..... **16-01**

(52) **U.S. Cl.**

USPC ..... **D16/203**

(58) **Field of Classification Search**

USPC ..... D16/200-220, 242; D26/24, 36, 72, 79,  
D26/123; D11/146; D10/104.1, 104.2,  
D10/106.1, 106.2, 106.5; D9/544, 558;  
D7/610; D23/223, 229, 255  
CPC .. H04N 3/08; H04N 5/23248; H04N 5/23287;  
H04N 5/23258; H04N 5/2251; H04N  
5/2252; H04N 7/181; H04N 7/183; H04N  
7/18; H04N 2007/145; G01C 11/025;  
G03B 15/00; G03B 15/03; G03B 17/56;  
G03B 17/02; G03B 17/30; G03B 17/04;  
G03B 17/00; G03B 19/04; G03B 3/00;  
G08B 13/19619; G08B 13/1963; G08B  
13/19632; B60R 1/00; B60R 2300/105;  
F16M 11/04; F16M 13/00; Y02E 60/12

See application file for complete search history.

(56) **References Cited**

**U.S. PATENT DOCUMENTS**

D388,450 S \* 12/1997 Hamano ..... D16/203  
D399,517 S \* 10/1998 Hasegawa ..... D16/203  
D438,324 S \* 2/2001 Pham ..... D26/72  
6,357,936 B1 \* 3/2002 Elberbaum ..... G03B 37/02  
206/316.2  
D499,126 S \* 11/2004 Kato ..... D16/203

D547,347 S \* 7/2007 Kim ..... D16/202  
D626,984 S \* 11/2010 Miyaji ..... D16/202  
D653,687 S \* 2/2012 Yu ..... D16/200  
8,317,414 B2 \* 11/2012 Jones ..... G03B 17/02  
396/427  
D673,989 S \* 1/2013 Ying ..... D16/203  
D745,911 S \* 12/2015 Lee ..... D16/203  
D753,753 S \* 4/2016 Moon ..... D16/203  
2006/0017842 A1 \* 1/2006 Jun ..... G03B 37/02  
348/373

(Continued)

**OTHER PUBLICATIONS**

Samsung Network Dome Camera, announced Sep. 7, 2012, [site visited Apr. 7, 2017], Available from Internet, URL: <[https://www.amazon.com/Samsung-1-3mp-Network-Camera-3-8-5mm/dp/B0097DJ4CG/ref=sr\\_1\\_fkmr0\\_1?ie=UTF8&qid=1491611568&sr=8-1-fkmr0](https://www.amazon.com/Samsung-1-3mp-Network-Camera-3-8-5mm/dp/B0097DJ4CG/ref=sr_1_fkmr0_1?ie=UTF8&qid=1491611568&sr=8-1-fkmr0)> &keywords=Samsung+Techwin%E2%80%99s+SND-5061>.\*

(Continued)

*Primary Examiner* — Barbara Fox

*Assistant Examiner* — Mary C Ramirez

(74) *Attorney, Agent, or Firm* — Winston Hsu

(57)

**CLAIM**

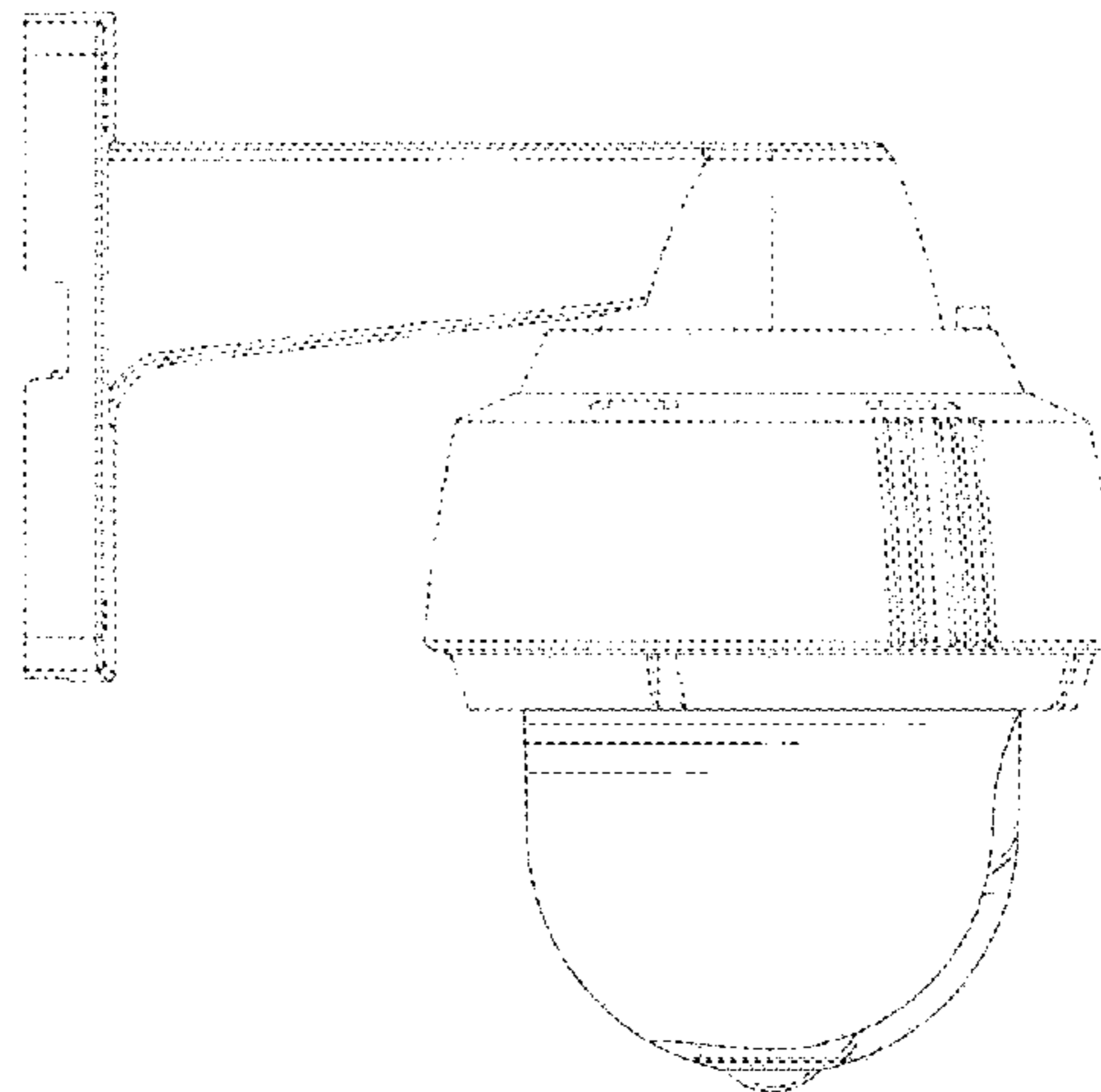
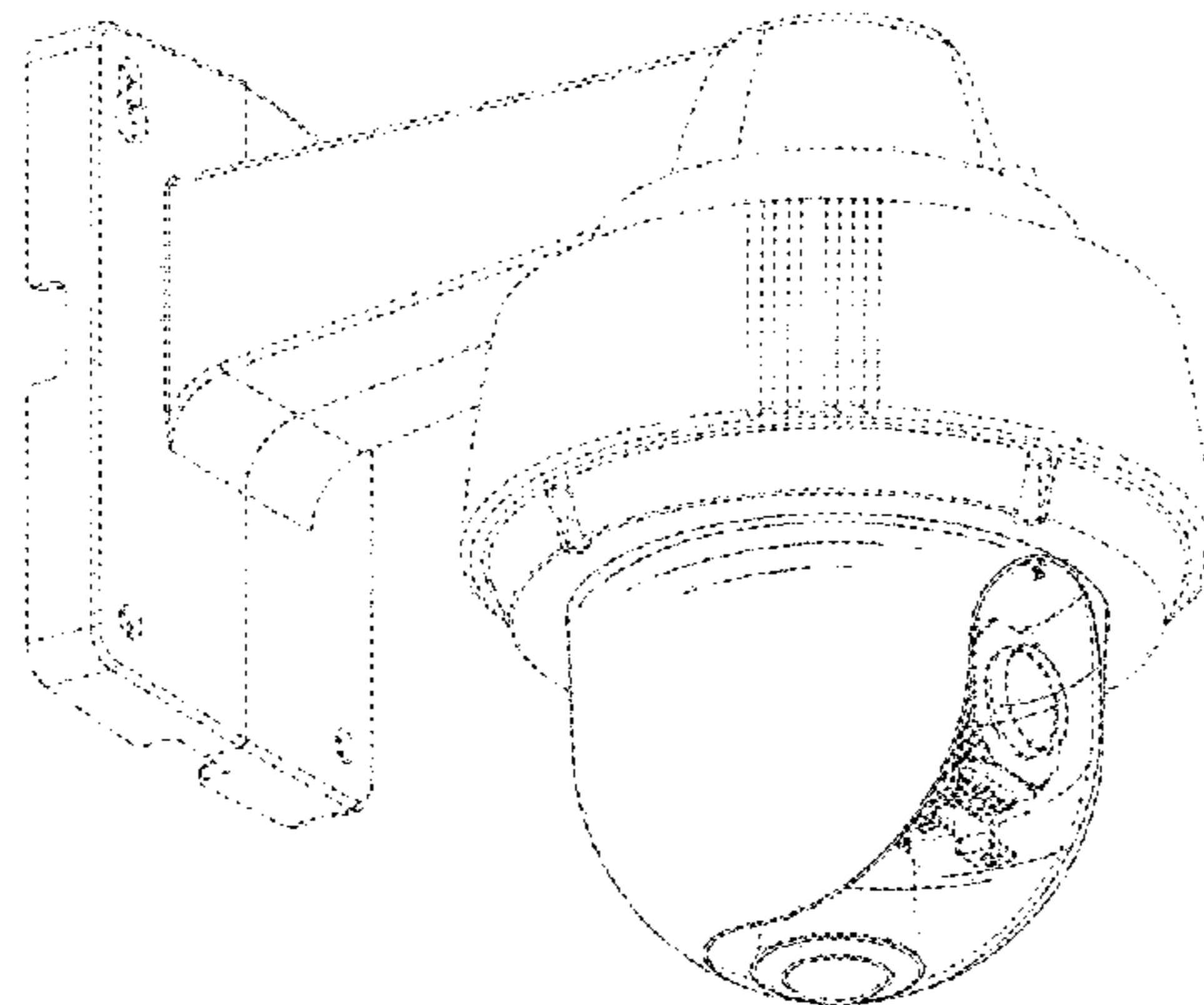
The ornamental design for a panoramic camera, as shown and described.

**DESCRIPTION**

FIG. 1 is a front, left, bottom perspective view of a panoramic camera showing our new design;  
FIG. 2 is a front view thereof;  
FIG. 3 is a rear view thereof;  
FIG. 4 is a left side view thereof;  
FIG. 5 is a right side view thereof;  
FIG. 6 is a top view thereof; and,  
FIG. 7 is a bottom view thereof.

The broken lines shown in the drawings depict portions of the panoramic camera that form no part of the claimed design.

**1 Claim, 7 Drawing Sheets**



(56)

**References Cited**

## U.S. PATENT DOCUMENTS

2006/0147194 A1\* 7/2006 Jones ..... G08B 13/1963  
396/427  
2007/0126871 A1\* 6/2007 Henninger ..... G08B 13/19619  
348/151  
2007/0201862 A1\* 8/2007 Van Schaik ..... G08B 13/19619  
396/427  
2010/0128446 A1\* 5/2010 Dipoala ..... G08B 17/00  
361/729  
2011/0019074 A1\* 1/2011 Lee ..... H04N 5/2251  
348/373  
2011/0115973 A1\* 5/2011 Tatewaki ..... G03B 17/02  
348/373  
2013/0094848 A1\* 4/2013 Wada ..... H04N 5/2252  
396/448  
2016/0134819 A1\* 5/2016 Wu ..... G02B 27/0006  
348/164

## OTHER PUBLICATIONS

Geovision GVFE5302, announced Sep. 25, 2014, [site visited Apr. 7, 2017], Available from Internet, URL: <[https://www.amazon.com/Geovision-GV-FE5302-H-264-Fisheye-Camera/dp/B00NWUNZ84/ref=sr\\_1\\_14?ie=UTF8&qid=1491611441&sr=8-14&keywords=geovision](https://www.amazon.com/Geovision-GV-FE5302-H-264-Fisheye-Camera/dp/B00NWUNZ84/ref=sr_1_14?ie=UTF8&qid=1491611441&sr=8-14&keywords=geovision)>.\*

HDCVI 1080P Panorama, announced Jan. 29, 2015, [site visited Apr. 7, 2017], Available from Internet, URL: <[https://www.amazon.com/HD-CVI-2-0Megapixel-Panorama-Surveillance-Security/dp/B00SXIHYYG/ref=sr\\_1\\_fkmr0\\_1?ie=UTF8&qid=1491610023&sr=8-1-fkmr0&keywords=1080P+Outdoor+Fisheye+Mini+Dome+Camera](https://www.amazon.com/HD-CVI-2-0Megapixel-Panorama-Surveillance-Security/dp/B00SXIHYYG/ref=sr_1_fkmr0_1?ie=UTF8&qid=1491610023&sr=8-1-fkmr0&keywords=1080P+Outdoor+Fisheye+Mini+Dome+Camera)>.\*

\* cited by examiner

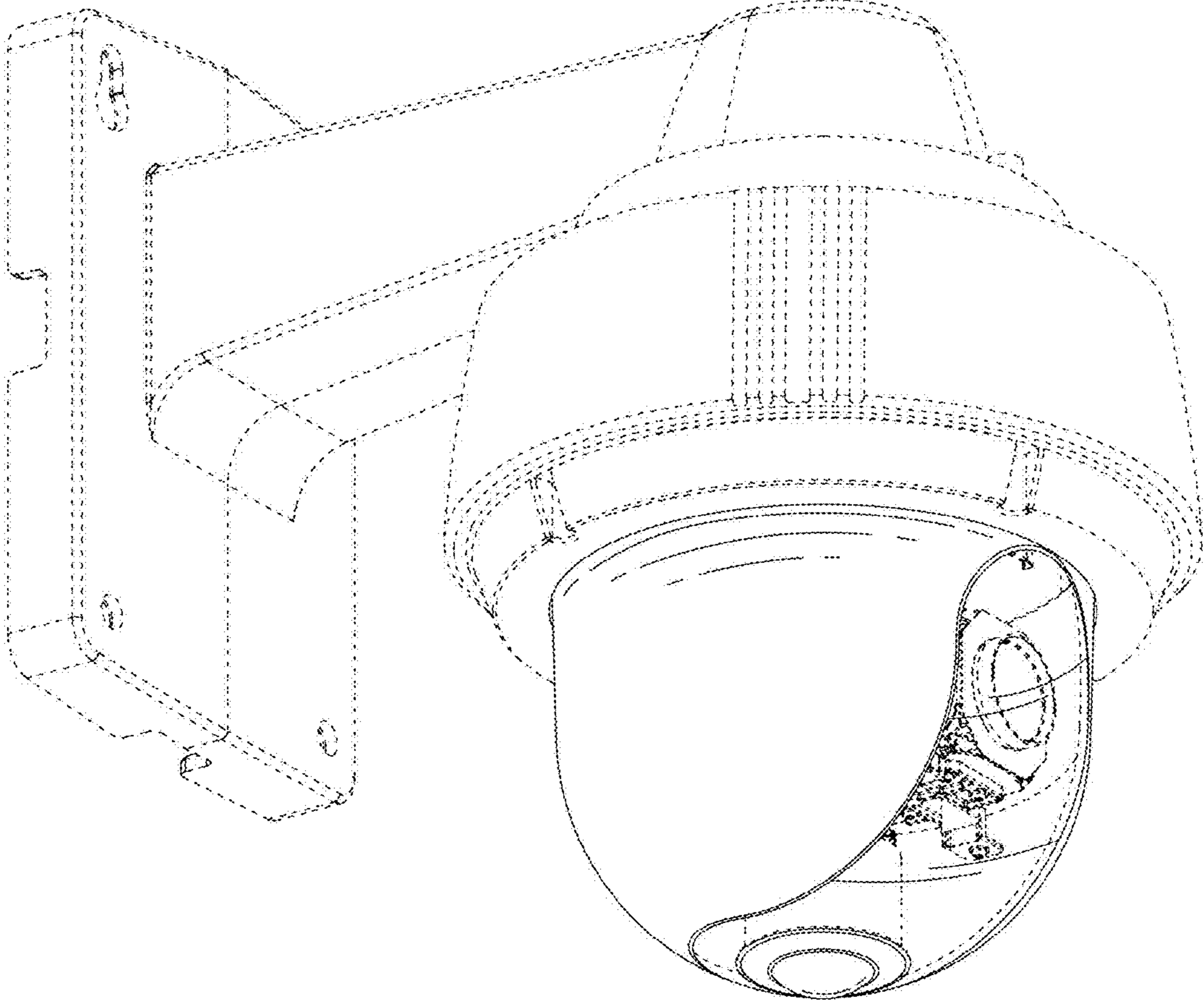


FIG. 1

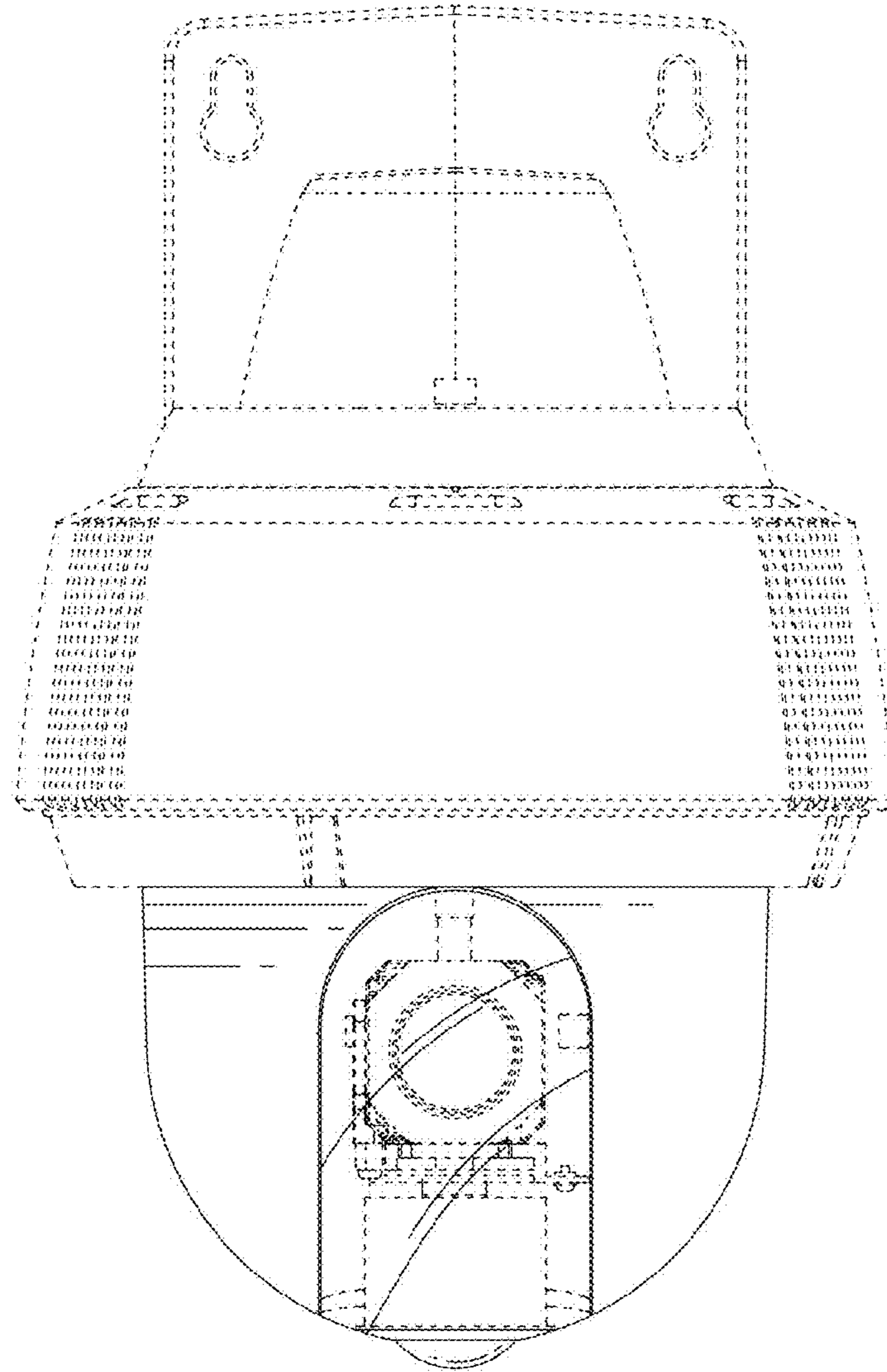


FIG. 2

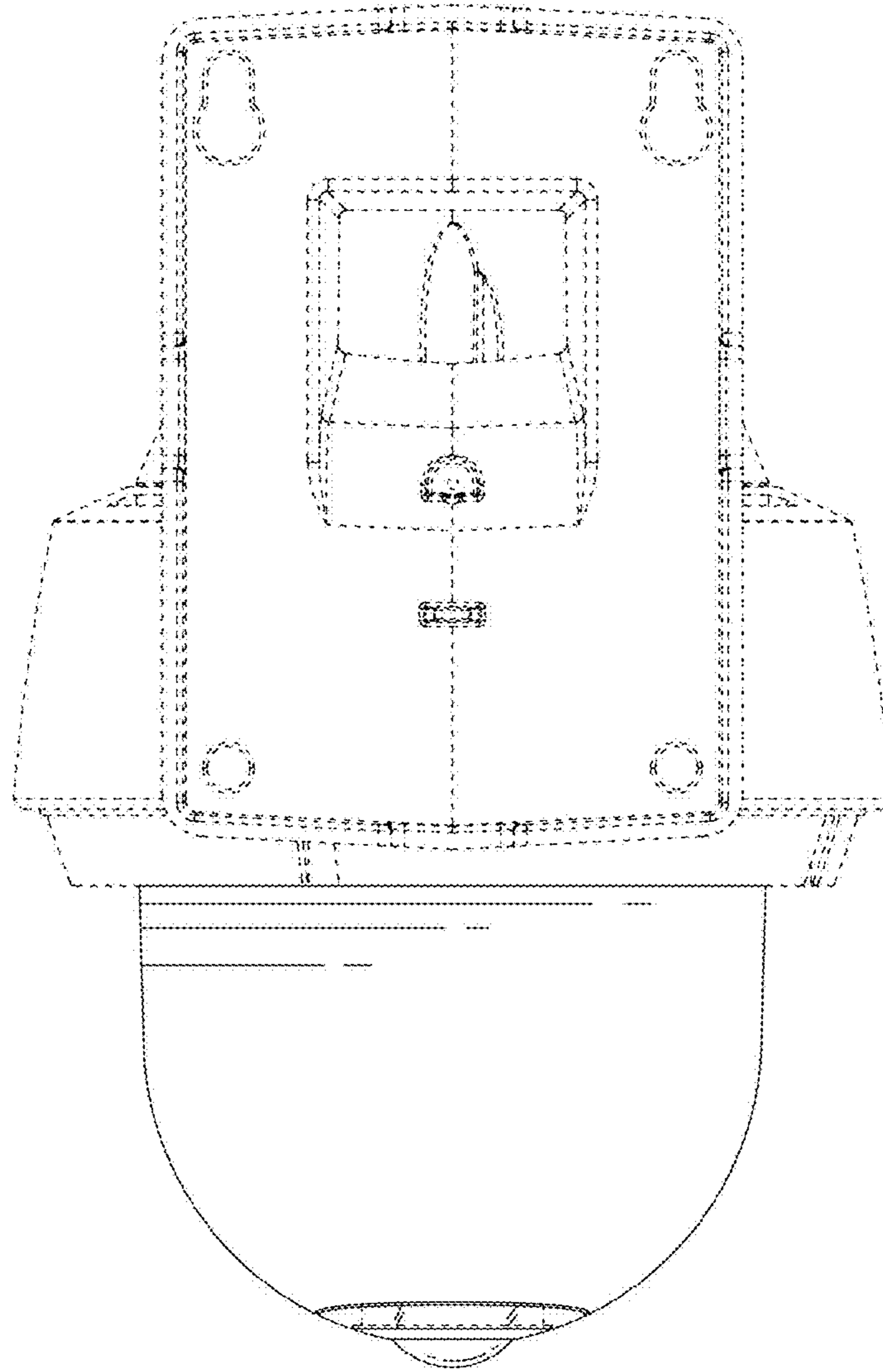


FIG. 3

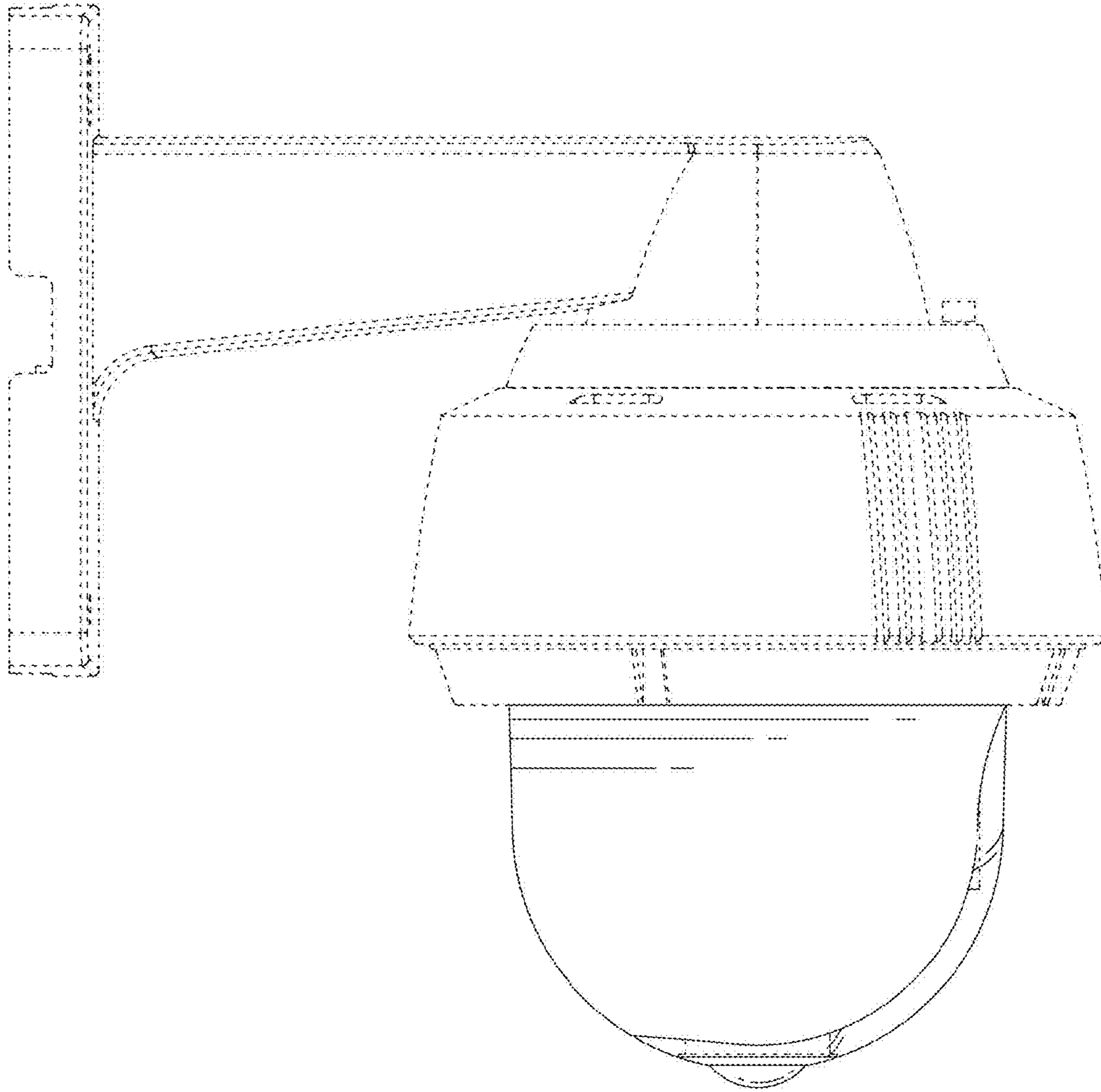


FIG. 4

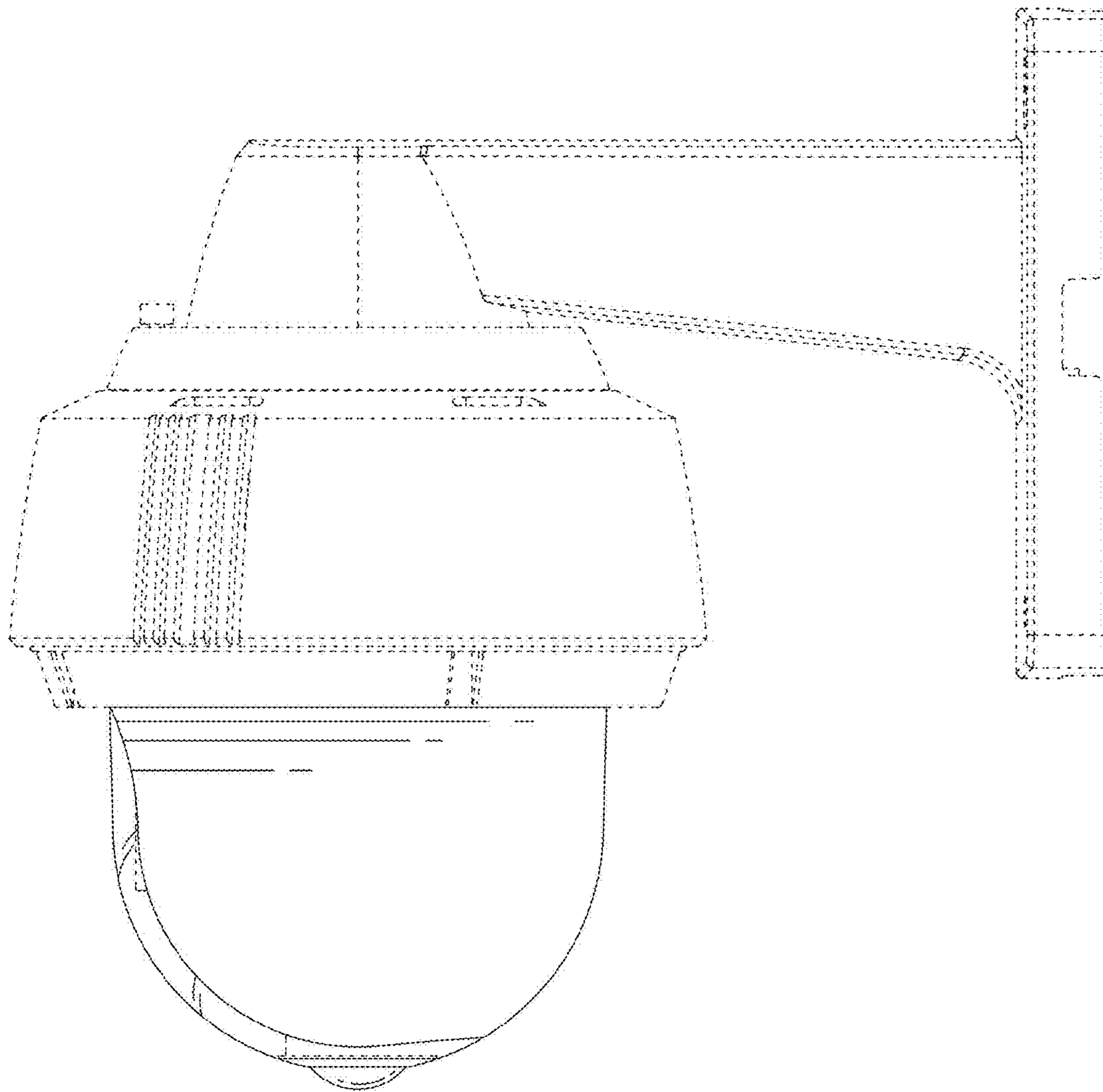


FIG. 5

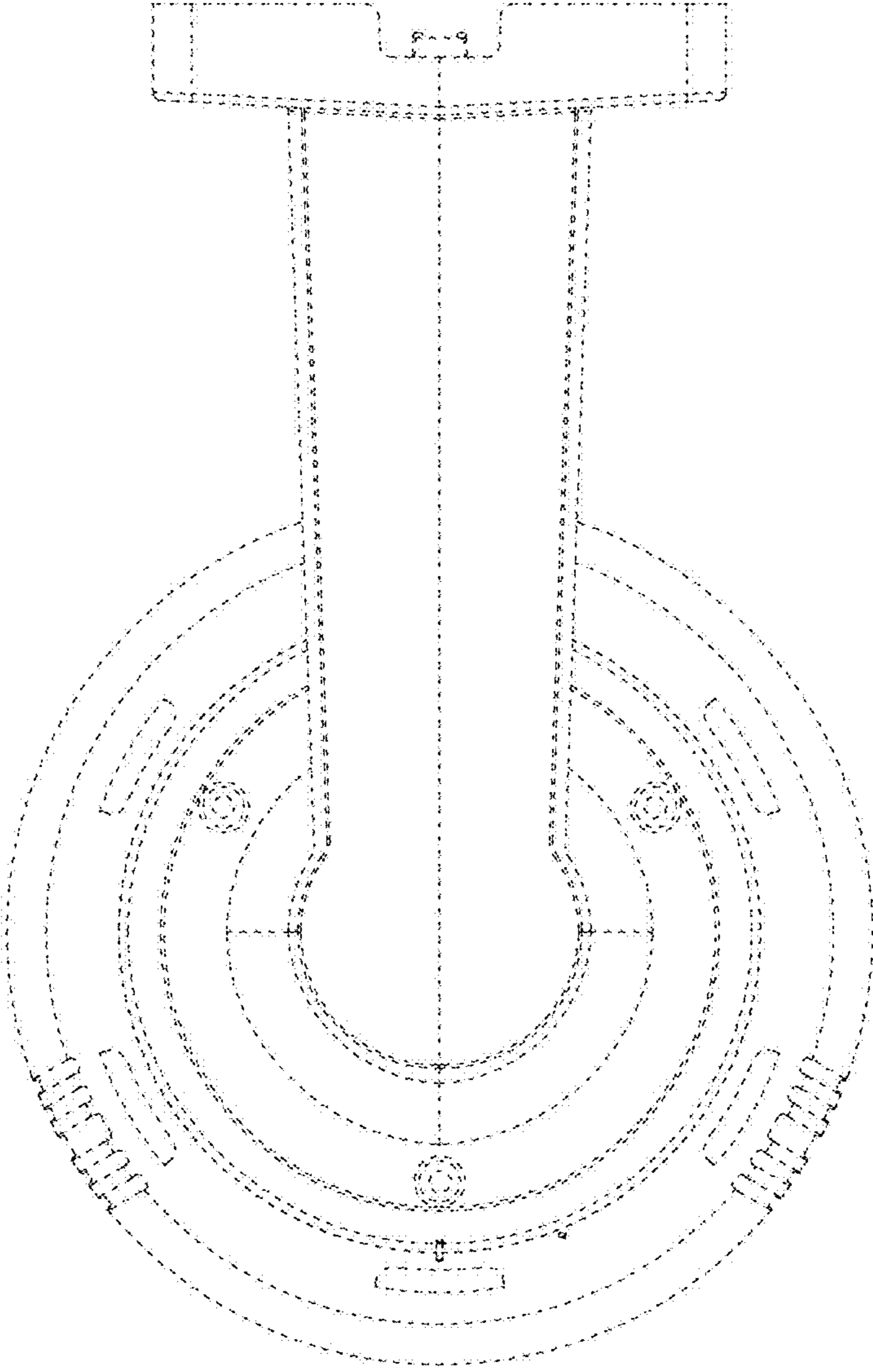


FIG. 6



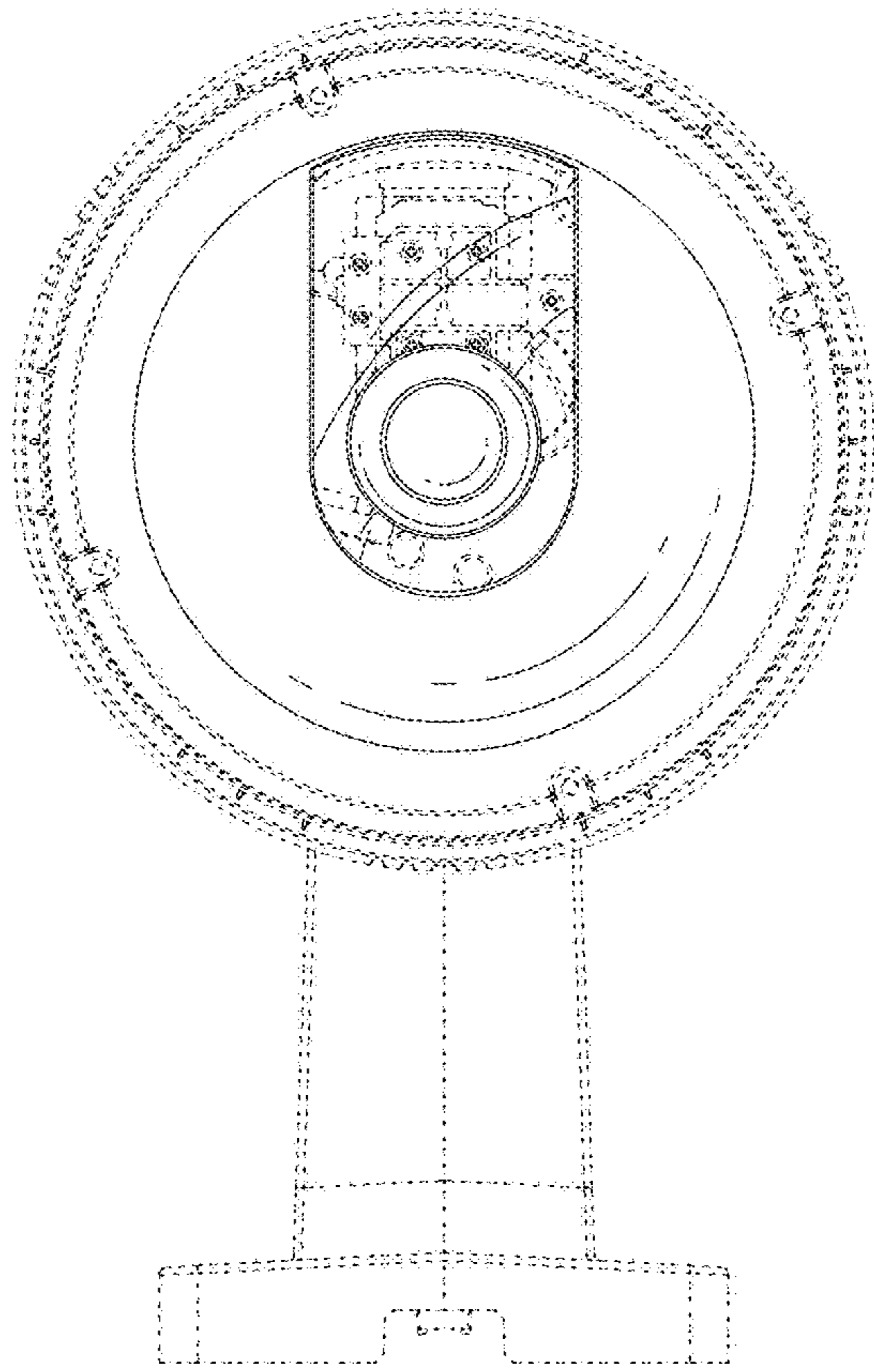


FIG. 7